

DT[®] Components

Drivetrain Products

Marketed by The Timken Corporation

DT2008

Differential, Transmission, Transaxle & Transfer Case Rebuild Kits and Related Products



Introduction

In March 1983, William “Bud” Hagy took his years of experience at a large bearing manufacturer and ventured out on his own. He started the business in his basement with nothing more than determination.

Over the next 25 years, determination, hard work along with a commitment to quality and customer service, North Coast Bearings has grown to become the largest supplier of rebuild kits for differentials, manual transmissions and transfer cases in the country.

In July 1997, The Timken Company and North Coast Bearings formed a strategic alliance. As part of the agreement, our two companies market and distribute differential kits, transmission kits and components under the product name DT Components for the heavy, medium and light duty aftermarkets.

After more than ten years of success, Timken and North Coast Bearings have extended their strategic alliance to continue providing customers outstanding value into the future.

We have prepared this new expanded catalog as an aid to our valued customers. This catalog is the most complete and up to date in the heavy, medium and light duty truck aftermarket.

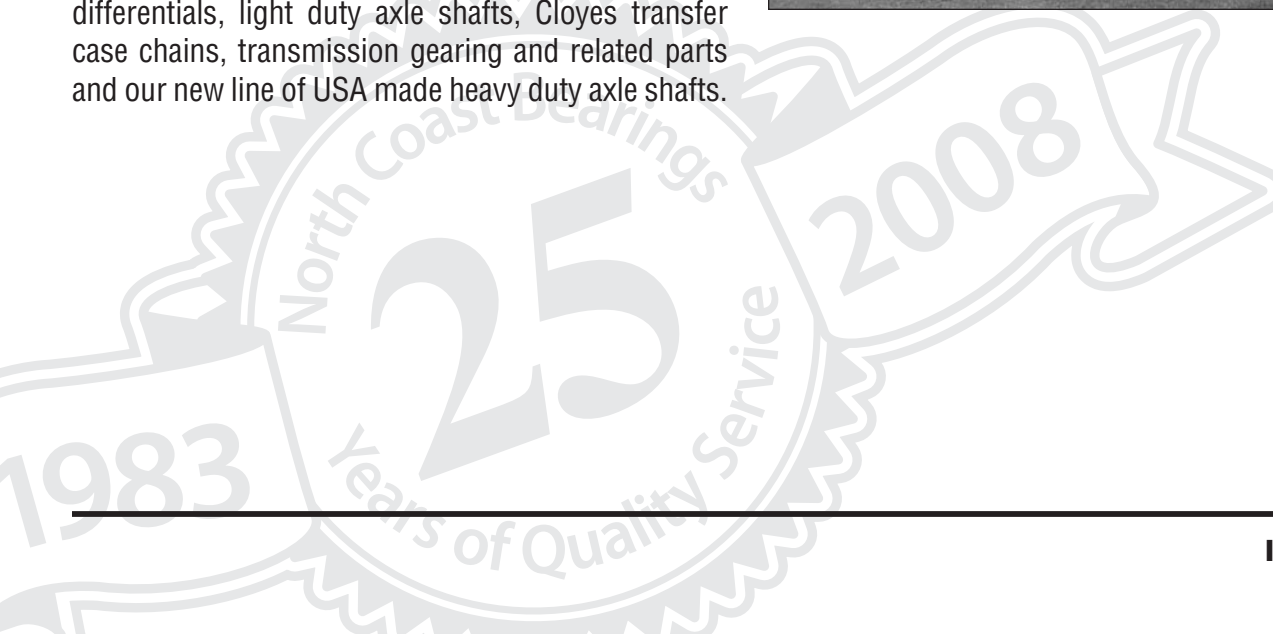
We now have over 2,000 different rebuild kits and over 22,000 SKU's available to meet our customer needs.

This new catalog also contains our center support bearings, EZ Sleeve repair sleeves, wheel bearings, ring & pinion sets, Eaton & Auburn Gear limited slip differentials, light duty axle shafts, Cloyes transfer case chains, transmission gearing and related parts and our new line of USA made heavy duty axle shafts.

We have expanded our Avon, Ohio facility to 110,000 square feet to accommodate our continuing growth. The Avon facility, along with the support from our Crossville, TN and Sparks, NV shipping locations, enables North Coast Bearings to service our customers efficiently and timely.

Our mission is to provide the best value in differential and transmission kits and components. Best value means Timken[®] tapered roller bearings, the best order fill, the fastest in-house turn-around time, US manufacturers' product where available, superior quality and personalized service.

Should you have any questions or suggestions for improvement, please contact your sales representative.



Henry Timken once said “The man who could devise something that would reduce friction fundamentally would achieve something of real value to the world”.



Henry Timken

That basic concept led to the invention and patenting of the tapered roller bearing in 1898 and the formation of The Timken Roller Bearing and Axle Company in 1899.

Throughout the 20th century....

....the name Timken has been synonymous with quality. The Timken commitment to innovation and performance has more than 100 years of manufacturing excellence to back it up. The Timken Company is a world leader in anti-friction technology and continues to supply bearings, steel, components and engineering solutions to the industries of the world.

Today, The Timken Company (NYSE: TKR) is a leading international manufacturer of highly engineered bearings, alloy and specialty steels and components, and a provider of related products and services. Following its February 2003 acquisition of The Torrington Company, Timken employs 28,000 people worldwide in operations in 29 countries. In 2002, the combined companies had sales of approximately \$3.8 billion.

Performance Legacy

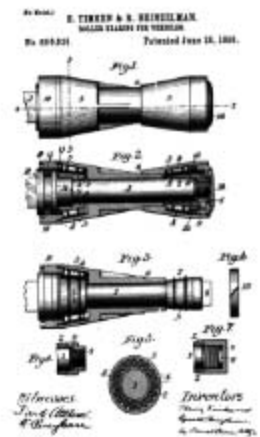
Nowhere is the performance and technology delivered by the Timken brand more evident than on the racing circuits of the world. Motor racing - born of one man’s quest to build a better, faster machine than another man’s - continues today to provide some of the most informative engineering feedback

and serves as comprehensive demonstration of Timken’s products performance. From the local dirt tracks where weekend warriors race their homemade machines to the world stage and the premier open-wheel series, nothing puts Timken’s products and services to the test like motor racing. Timken® bearings reduce friction in the wheels, axles, turbochargers, gearboxes and drivelines, while Timken steel carries the load in crankshafts, camshafts, connecting rods, engine fasteners, gearbox components and brake systems.

And what The Timken Company learns at the track contributes to what goes into the products they make for heavy construction equipment, rolling mills, disc drives and jet engines - all relying on the Timken commitment to performance. Millions of machine hours are logged and millions of miles are traveled on their bearings, steel and components every year.

In motor racing...

... more major racing series championships are won with cars that rely on Timken products than all of their competitors’ brands put together. That sends a strong message about the quality, performance and teamwork within the Timken organization.



This catalog is divided into 7 main sections

- 1. Heavy Duty Differentials**
- 2. Heavy Duty Transmissions and Transfer Cases**
- 3. Light Duty Differentials**
- 4. Light Duty Transmissions**
- 5. Light Duty Transfer Cases**
- 6. Rebuild Kit Bill Of Materials**
- 7. Driveshaft, Wheel End Products, Interchanges and Misc. Products**

The Indexes for Heavy Duty Differentials, Transmissions and Transfer Cases are divided by the unit manufacturer and model number. Unless noted under the comments column, the rebuild kit services all ratios and variations for the model listed.

The Indexes for Light Duty Differentials, Transmissions and Transfer Cases are divided by vehicle manufacturer and model number/axle size. Make sure you have the correct date the vehicle was manufactured. Most models have evolved over time and there may be several kits for your particular vehicle depending upon when it was made.

Common Light Duty Differentials and Transmissions have their own product page by model number / axle size that lists gearing and other related products that are available along with an exploded view of the transmission.

We have also reprinted product information from our vendors with their permission on Heavy Duty Axles, Heavy Duty Differentials, Light Duty Limited Slip and Locking Differentials and Light Duty Transfer Cases for your convenience.

All Kit Bill Of Materials are grouped together into one section and are listed in numeric sequence.

What's new in this catalog.

Along with updated models and vehicle listings providing the most current coverage, the DT2008 includes several improvements for easier use and new product lines. Here are some highlights of just a few of the catalog improvements

Easier to use Index for Meritor axles groups similar differentials together under the axle series then each carrier is listed individually for ease in searching.

Tractech No Spin Differentials are listed by model application starting on page 25.

Rebuild kits for Auxiliary Transmissions and PTO's are now available and are listed after the transmission models under each manufacturer.

Rebuild Kits for Heavy Duty Transfer Cases are now available and are listed in their own section starting on page 65.

An improved axle identification guide is on page 69 to make it easier for customers to correctly identify the light duty axle in their vehicle.

The latest product information and vehicle applications for Eaton, Detroit Locker, and Auburn Limited Slip & Locking Differentials is listed starting on page 101.

Light Duty Transmission Indexes have been updated with expanded vehicle coverage including the newest 6 speed manual transmissions starting on page 141.

Our EZ Sleeve hard chromed repair sleeves product line has grown to over 135 part numbers providing extensive coverage for shaft sizes ranging between 5/8" up to 7" in diameter.

Expanded coverage and information for Permatex products can be found on pages 381 thru 384.

SECTION	PAGE
NCB/DT Components Introduction	Inside Front Cover
History of Timken	i
How to use this catalog	ii
What's new in this catalog	ii
Warning	iv
Legal Disclosure	iv
Heavy Duty Rebuild Kits & Related Products	1
Differential Rebuild Kits	1
Dana/Eaton Index	1
GMC Index	10
International Harvester/Navistar Index	10
Mack Index	11
Meritor/Rockwell Index	12
Volvo Index	24
White Index	24
Rebuild Kit Bill of Materials	273
Tractech NoSPIN Differentials	25
Heavy Duty Axle Shafts	31
Heavy Duty Transmission Rebuild Kits	57
Clark/Eaton/Fuller Index	57
GMC Index	61
International Harvester/Navistar Index	61
Mack Index	61
Meritor/Rockwell Index	62
New Process Index	62
Spicer/TTC Index	63
Warner/TTC Index	64
Rebuild Kit Bill of Materials	311
Heavy Duty Transfer Case Rebuild Kits	65
Fabco Index	65
Meritor/Rockwell Index	65
Rebuild Kit Bill of Materials	307
Light Duty Differential Rebuild Kits & Related Products	68
Identification Help for Axles	69
Differential Cover Gaskets	70
Differential Applications by Vehicle	71
Ring & Pinion Sets by Axle Size	77
Open Cases & Internal Kits by Axle Size	77
Limited Slip Differentials by Axle Size	77
Axle Shafts by Axle Size	77
Wheel Bearings & Wheel Seals by Axle Size	77
Eaton & Detroit Locker Differentials	101
Auburn Gear Differentials	117
Rebuild Kit Bill of Materials	279

SECTION	PAGE
Light Duty Transmission, Transaxle and Transfer Case Rebuild Kits & Related Products	139
Transmission & Transaxle Applications by Vehicle	139
Exploded Transmission Drawings	180
Transmission Gearing and Related Parts by Transmission Model	180
Transmission Small Parts Kits	251
Transfer Case Applications by Vehicle	244
Transfer Case Small Parts Kits	251
Cloyes Transfer Case Chains	252
BorgWarner MORSE Transfer Case Chains	255
Miscellaneous Product Information and Interchanges	337
Rebuild Kits, Bearing and Seal Interchanges	337
New Departure-Hyatt Barrel Style Roller Bearings Interchanges & Contents	362
Automotive Wheel Set Interchanges & Contents	371
Rear Wheel Repair Package Bearings	372
Rear Wheel Bearings Installation Procedures	373
Wheel Hub Assemblies and Spindles	374
Center Support Bearings	349
EZ Sleeve Repair Sleeves	357
Shim Stock Rolls	362
Timken MileMate® Sets	363
Heavy Duty Wheel Seals	365
Timken P900 Literature	375
Permatex Products	376
Limited Warranty	Inside Back Cover

Pages 363, 364, 372, 373, 375 and 376 provided by The Timken Company.

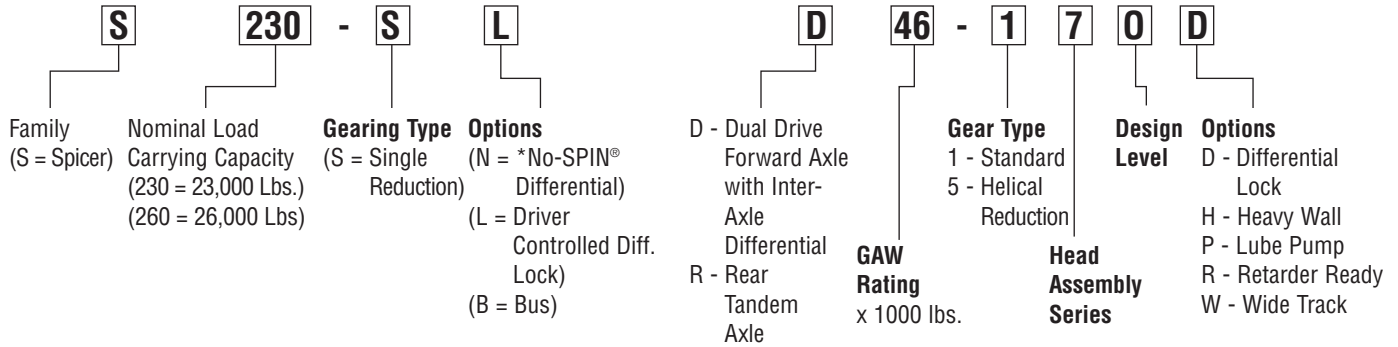
Every possible effort has been made to ensure that the data in this catalog is correct, but we cannot assume responsibility should there be any error.

References to original equipment part numbers are for cross reference and identification purposes and may not indicate that the actual part is an original equipment part.

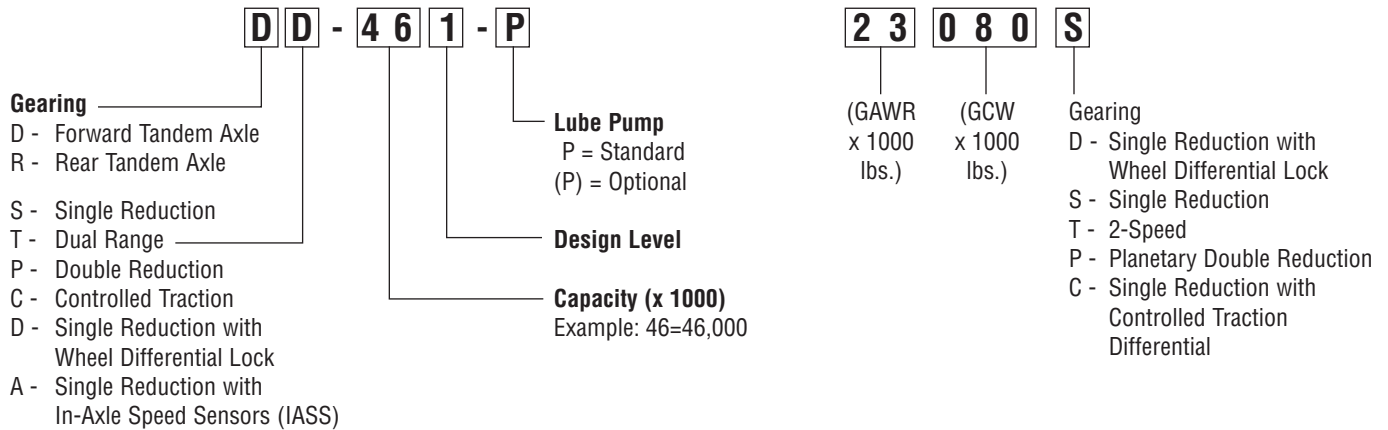
Warning

Follow the manufacturer's installation instructions. Never spin a bearing with compressed air. The rollers may be forcefully expelled, creating a risk of bodily harm. Failure to follow all instructions and to properly lubricate the bearing can cause equipment failure, creating a risk of serious bodily harm.

Dana Axle Identification



Eaton Axle Identification



Dana Index

Axle Model Type/Cap.#	Comments	Kit
S14-110 R-14,500		DRK-434
S16-130 R-16,500		DRK-434
D40-170 RF-40,000		DRK-442
D40-170DP RF-40,000		DRK-436
D40-170P RF-40,000		DRK-442
R40-170 RR-40,000	2.69 - 3.91 Ratios	DRK-438
	4.10 - 7.17 Ratios	DRK-439
R40-170D RR-40,000	2.69 - 3.91 Ratios	DRK-443
	4.10 - 7.17 Ratios	DRK-444
D46-170 RF-46,000		DRK-442

Dana Index

Axle Model Type/Cap.#	Comments	Kit
D46-170DP RF-46,000		DRK-436
D46-170H RF-46,000		DRK-442
D46-170HP RF-46,000		DRK-442
D46-170P RF-46,000		DRK-442
R46-170 RR-46,000	2.69 - 3.91 Ratios	DRK-438
	4.10 - 7.17 Ratios	DRK-439
R46-170D RR-46,000	2.69 - 3.91 Ratios	DRK-443
	4.10 - 7.17 Ratios	DRK-444
S21-170 R-21,000	2.69 - 3.91 Ratios	DRK-438
	4.10 - 7.17 Ratios	DRK-439

Dana Index

Axle Model	Type/Cap. #	Comments	Kit
S21-170D	R-21,000	2.69 - 3.91 Ratios 4.10 - 7.17 Ratios	DRK-443 DRK-444
S23-170	R-23,000	2.69 - 3.91 Ratios 4.10 - 7.17 Ratios	DRK-438 DRK-439
S23-170D	R-23,000	2.69 - 3.91 Ratios 4.10 - 7.17 Ratios	DRK-443 DRK-444
D52-190P	RF-52,000		DRK-437
D52-190DP	RF-52,000		DRK-437
R52-190P	RR-52,000	2.53 - 4.78 Ratios 5.25 - 7.83 Ratios	DRK-440 DRK-441
D60-190P	RF-60,000		DRK-437
R60-190P	RR-60,000	2.53 - 4.78 Ratios 5.25 - 7.83 Ratios	DRK-440 DRK-441
S26-190P	R-26,000	2.53 - 4.78 Ratios 5.25 - 7.83 Ratios	DRK-440 DRK-441
S30-190P	R-30,000	2.53 - 4.78 Ratios 5.25 - 7.83 Ratios	DRK-440 DRK-441
S135-S	R-13,500		DRK-414
S150-S	R-15,500		DRK-414
F155-S	R-15,500		DRK-191R
G155-T	R-15,500		DRK-213
G160-D	R-16,000		DRK-213
G160-T	R-16,000		DRK-213
F170-S	R-17,000		DRK-191R
F175-D	R-17,500		DRK-213
G175-R	R-17,500		DRK-213
G175-T	R-17,500		DRK-213
J175-S	R-17,500		DRK-192RB
N175	R-17,500		DRK-223R
G185-S	R-18,500		DRK-213
M185-D	R-18,500		DRK-214
M185-T	R-18,500		DRK-214
G190-S	R-19,000		DRK-213
J190-S	R-19,000		DRK-192RB
M190-T	R-19,000		DRK-214

Eaton Index

Axle Model	Type/Cap. #	Comments	Kit
30R3	R-30,000		DRK-23
30RP	R-30,000		DRK-23
30RS	R-30,000	w/ Ribbed Carrier w/ Conical Carrier	DRK-23 DRK-23B
30RT	R-30,000		DRK-23
34D3	F-34,000	w/ Ball Brg. On Input Shaft w/ Taper Brg. On Input Shaft	DRK-64F DRK-64FE
34DP	F-34,000	w/ Ball Brg. On Input Shaft w/ Taper Brg. On Input Shaft	DRK-64F DRK-64FE
34DS	F-34,000	w/ Ribbed Carrier & Ball Brg. On Input Shaft w/ Ribbed Carrier & Taper Brg. On Input Shaft w/ Conical Carrier & Ball Brg. On Input Shaft	DRK-64F DRK-64FE DRK-64FC
		w/ Conical Carrier & Taper Brg. On Input Shaft	DRK-64FD
34DT	F-34,000	w/ Ball Brg. On Input Shaft w/ Taper Brg. On Input Shaft	DRK-64F DRK-64FE

Dana Index

Axle Model	Type/Cap. #	Comments	Kit
N190	R-19,000		DRK-223R
M200-D	R-20,000		DRK-214
M200-T	R-20,000		DRK-214
J210-S	R-21,000		DRK-192RB
M210-T	R-21,000		DRK-214
J220-S	R-22,000		DRK-192RB
M220-D	R-22,000		DRK-214
M220-T	R-22,000		DRK-214
J230-S	R-23,000		DRK-192RB
J230-SB	R-23,000		DRK-192RB
M230-T	R-23,000		DRK-214
S230-S	R-23,000		DRK-416
S230-SL	R-23,000		DRK-416
S230-SB	R-23,000		DRK-416
W230-S	R-23,000		DRK-201R
S260-SB	R-26,000		DRK-416
G340-S	F-34,000		DRK-192FB
J340-S	F-34,000 R-34,000		DRK-200FA DRK-192RB
N340-S	F-34,000 R-34,000		DRK-223F DRK-223R
G380-S	F-38,000		DRK-192FB
J380-S	F-38,000 R-38,000		DRK-200FA DRK-192RB
J400-S	F-40,000 R-40,000		DRK-200FA DRK-192RB
N400-I	F-40,000 R-40,000		DRK-223F DRK-223R
S400-S	F-40,000 R-40,000		DRK-411F DRK-411R
W440-S	F-44,000 R-44,000		DRK-201FA DRK-201R
W460-S	F-46,000 R-46,000		DRK-201FA DRK-201R

Eaton Index

Axle Model	Type/Cap. #	Comments	Kit
34R3	R-34,000		DRK-1
34RP	R-34,000	w/ Ribbed Carrier w/ Conical Carrier	DRK-1 DRK-1A
34RS	R-34,000	w/ Conical Carrier	DRK-1A
34RSB	R-34,000		DRK-1A
34RT	R-34,000		DRK-1
38D3	F-38,000	w/ Ball Brg. On Input Shaft w/ Taper Brg. On Input Shaft	DRK-64F DRK-64FE
38DP	F-38,000	w/ Ball Brg. On Input Shaft w/ Taper Brg. On Input Shaft	DRK-64F DRK-64FE
38DS	F-38,000	w/ Ribbed Carrier & Ball Brg. On Input Shaft w/ Ribbed Carrier & Taper Brg. On Input Shaft w/ Conical Carrier & Ball Brg. On Input Shaft	DRK-64F DRK-64FE DRK-64FC
		w/ Conical Carrier & Taper Brg. On Input Shaft	DRK-64FD

Differential Index

Eaton Index

Axle Model	Type/Cap. #	Comments	Kit
38DT	F-38,000	w/ Ball Brg. On Input Shaft	DRK-64F
		w/ Taper Brg. On Input Shaft	DRK-64FE
38R3	R-38,000		DRK-1
38RP	R-38,000	w/ Ribbed Carrier	DRK-1
		w/ Conical Carrier	DRK-1A
38RS	R-38,000		DRK-1A
38RSB	R-38,000		DRK-1A
38RT	R-38,000		DRK-1
DDH40(P)	F-40,000		DRK-428
DDP40(P)	F-40,000		DRK-428
DDS40(P)	F-40,000		DRK-435
DDT40-P	F-40,000		DRK-405F
DSH40(P)	F-40,000		DRK-427
DSP40(P)	F-40,000		DRK-427
DSS40(P)	F-40,000		DRK-431
DST40(P)	F-40,000		DRK-404F
RDH40	R-40,000		DRK-430
RDP40	R-40,000		DRK-430
RDS40	R-40,000		DRK-219R
RDT40	R-40,000		DRK-445
RSH40	R-40,000		DRK-429
RSP40	R-40,000		DRK-429
RSS40	R-40,000		DRK-449
RST40	R-40,000	Before 4/1/05 & 2.64-5.57 Ratios	DRK-445
		Before 4/1/05 & 6.17-7.17 Ratios	DRK-446
		After 4/1/05 & 2.64-5.57 Ratios	DRK-447
		After 4/1/05 & 6.17-7.17 Ratios	DRK-448
DDP41(P)	F-41,000		DRK-428
DDT41(P)	F-41,000		DRK-405F
DSP41(P)	F-41,000		DRK-427
DST41(P)	F-41,000		DRK-404F
RDP41	R-41,000		DRK-430
RDT41	R-41,000		DRK-445
RSP41	R-41,000		DRK-429
RST41	R-41,000	Before 4/1/05 & 2.64-5.57 Ratios	DRK-445
		Before 4/1/05 & 6.17-7.17 Ratios	DRK-446
		After 4/1/05 & 2.64-5.57 Ratios	DRK-447
		After 4/1/05 & 6.17-7.17 Ratios	DRK-448
42D3	F-42,000	w/ Ball Brg. On Input Shaft	DRK-64F
		w/ Taper Brg. On Input Shaft	DRK-64FE
42DP	F-42,000	w/ Ball Brg. On Input Shaft	DRK-64F
		w/ Taper Brg. On Input Shaft	DRK-64FE
42DT	F-42,000	w/ Ball Brg. On Input Shaft	DRK-64F
		w/ Taper Brg. On Input Shaft	DRK-64FE
42R3	R-42,000		DRK-1
42RP	R-42,000		DRK-1
42RS	R-42,000		DRK-18D
42RT	R-42,000		DRK-1
44DP	F-44,000		DRK-209A
44DS	F-44,000		DRK-208A
44DSM	F-44,000		DRK-208A
44DT	F-44,000		DRK-209A
44RP			DRK-72A
44RPB	R-44,000		DRK-72A

Eaton Index

Axle Model	Type/Cap. #	Comments	Kit
44RS	R-44,000	w/ Casting # C67854 / Bef. 2-1-79	DRK-413
		w/ Casting # C98493 / Aft. 2-1-79	DRK-219R
44RSM	R-44,000		DRK-413
44RSB	R-44,000	w/ Large Spherical Diff	DRK-18E
44RT	R-44,000	w/ 103537 Case	DRK-72B
		w/o 103537 Case	DRK-72A
44RTB	R-44,000		DRK-72A
DDH44(P)	F-44,000		DRK-427
DSH44(P)	F-44,000		DRK-428
RDH44	R-44,000		DRK-429
RSH44	R-44,000		DRK-429
50DP	F-50,000		DRK-193
50DT	F-50,000		DRK-193
50RP	R-50,000		DRK-1
50RT	R-50,000		DRK-1
190C4	R-19,000		DRK-419
190P4	R-19,000		DRK-419
190S4	R-19,000		DRK-417
190T4	R-19,000		DRK-419
220C4	R-22,000		DRK-419
220P4	R-22,000		DRK-419
220S4	R-22,000		DRK-417
220T4	R-22,000		DRK-419
230C4	R-23,000		DRK-420
230P4	R-23,000		DRK-421
230S4	R-23,000		DRK-418
230T4	R-23,000		DRK-421
260C4	R-26,000		DRK-420
260P4	R-26,000		DRK-421
260S4	R-26,000		DRK-418
260T4	R-26,000		DRK-421
300C4	R-30,000		DRK-420
300P4	R-30,000		DRK-420
300S4	R-30,000		DRK-418
300T4	R-30,000		DRK-421
DP340	F-34,000		DRK-193
DS340	F-34,000	2-Speed Carrier / Bef 4-30-78	DRK-193
		1-Speed Carrier / Aft 4-30-78	DRK-193A
DT340	F-34,000		DRK-193
RP340	R-34,000		DRK-1
RS340	R-34,000	2-Speed Carrier / Bef 4-30-78	DRK-1
		1-Speed Carrier / Aft 4-30-78	DRK-1A
RT340	R-34,000		DRK-1
DC341(P)	F-34,000		DRK-207
DP341(P)	F-34,000		DRK-207
DS341(P)	F-34,000	Before 4-6-89	DRK-196
		4-6-89 thru 12-31-94	DRK-222F
		After 1-1-95	DRK-196
DT341(P)	F-34,000		DRK-207
RC341	R-34,000		DRK-1
RP341	R-34,000		DRK-1
RS341	R-34,000	Before 4-6-89	DRK-1A
		4-6-89 thru 12-31-94	DRK-222R
		After 1-1-95	DRK-412
RT341	R-34,000		DRK-1

Eaton Index

Axle Model	Type/Cap. #	Comments	Kit
DA344	F-34,000		DRK-404F
DS344	F-34,000		DRK-404F
RA344	R-34,000		DRK-404R
RS344	R-34,000		DRK-404R
350C4	R-35,000		DRK-420
350P4	R-35,000		DRK-420
350S4	R-35,000		DRK-418
350T4	R-35,000		DRK-420
DP380-P	F-38,000		DRK-193
DS380(P)	F-38,000	2-Speed Carrier / Bef 4-30-78	DRK-193
		1-Speed Carrier / Aft 4-30-78	DRK-193A
DT380(P)	F-38,000		DRK-193
RP380(P)	R-38,000		DRK-1
RS380	R-38,000	2-Speed Carrier / Bef 4-30-78	DRK-1
		1-Speed Carrier / Aft 4-30-78	DRK-1A
RT380(P)	R-38,000		DRK-1
DC381(P)	F-38,000		DRK-207
DP381(P)	F-38,000		DRK-207
DS381(P)	F-38,000		DRK-196
DT381(P)	F-38,000		DRK-207
RC381	R-38,000		DRK-1
RP381(P)	R-38,000		DRK-1
RS381	R-38,000		DRK-1A
RT381(P)	R-38,000		DRK-1
DS385	F-38,000		DRK-1
DC386-P	F-38,000		DRK-424
DP386-P	F-38,000		DRK-424
DS386-P	F-38,000		DRK-422
DT386-P	F-38,000		DRK-424
RC386	R-38,000		DRK-1
RP386-P	R-38,000		DRK-1
RS386	R-38,000		DRK-1A
RT386-P	R-38,000		DRK-1
DP400(P)	F-40,000		DRK-193
DS400-P	F-40,000	2-Speed Carrier / Bef 4-30-78	DRK-193
		1-Speed Carrier / Aft 4-30-78	DRK-193A
DT400(P)	F-40,000		DRK-193
RP400(P)	R-40,000		DRK-1
RS400	R-40,000	2-Speed Carrier / Bef 4-30-78	DRK-1
		1-Speed Carrier / Aft 4-30-78	DRK-1A
RT400(P)	R-40,000		DRK-1
DC401-P	F-40,000		DRK-207
DP401(P)	F-40,000		DRK-207
DS401-P	F-40,000		DRK-196
DT401(P)	F-40,000		DRK-207
RC401	R-40,000		DRK-1
RP401(P)	R-40,000		DRK-1
RS401	R-40,000		DRK-1A
RT401(P)	R-40,000		DRK-1
DA402(P)	F-40,000	4-6-89 thru 12-31-94	DRK-222F
		After 1-1-95	DRK-196
DC402(P)	F-40,000		DRK-207
DP402(P)	F-40,000		DRK-207

Eaton Index

Axle Model	Type/Cap. #	Comments	Kit
DS402(P)	F-40,000	Before 4-6-89	DRK-196
		4-6-89 thru 12-31-94	DRK-222F
		After 1-1-95	DRK-196
DT402(P)	F-40,000		DRK-207
RA402	R-40,000	4-6-89 thru 12-31-94	DRK-222R
		After 1-1-95	DRK-412
RC402	R-40,000		DRK-1
RP402(P)	R-40,000		DRK-1
RS402	R-40,000	Before 4-6-89	DRK-1A
		4-6-89 thru 12-31-94	DRK-222R
		After 1-1-95	DRK-412
RT402(P)	R-40,000		DRK-1
DS403(P)	F-40,000	Before 4-6-89	DRK-196
		4-6-89 thru 12-31-94	DRK-222F
		After 1-1-95	DRK-196
RS403	R-40,000	Before 4-6-89	DRK-1A
		4-6-89 thru 12-31-94	DRK-222R
		After 1-1-95	DRK-412
DA404(P)	F-40,000		DRK-404F
DD404(P)	F-40,000		DRK-405F
DS404(P)	F-40,000		DRK-404F
RA404	R-40,000		DRK-404R
RD404	R-40,000		DRK-405R
RS404	R-40,000		DRK-404R
DA405(P)	F-40,000		DRK-404F
DD405(P)	F-40,000		DRK-405F
DS405(P)	F-40,000		DRK-404F
RA405	R-40,000		DRK-404R
RD405	R-40,000		DRK-405R
RS405	R-40,000		DRK-404R
DC406-P	F-40,000		DRK-424
DP406-P	F-40,000		DRK-424
DS406-P	F-40,000		DRK-422
DT406-P	F-40,000		DRK-424
RC406	R-40,000		DRK-1
RP406-P	R-40,000		DRK-1
RS406	R-40,000		DRK-1A
RT406-P	R-40,000		DRK-1
DP440-P	F-44,000	22 Spline & Case # 103530	DRK-209
		36 Spline & Case # 110500	DRK-210
DS440-P	F-44,000	22 Spline & Case # 103530	DRK-208A
		36 Spline & Case # 110500	DRK-208
DT440-P	F-44,000	22 Spline & Case # 103530	DRK-209
		36 Spline & Case # 110500	DRK-210
RP440	R-44,000		DRK-72B
RS440	R-44,000		DRK-18E
RT440	R-44,000		DRK-72B
DP446-P	F-44,000		DRK-426
DS446-P	F-44,000		DRK-425
DS446-P*	F-44,000		DRK-426
DT446-P	F-44,000		DRK-426
RP446-P	R-44,000		DRK-72B
RS446	R-44,000	w/ Traction Control	DRK-72B
		w/o Traction Control	DRK-18E
RT446-P	R-44,000		DRK-72B

Differential Index

Eaton

Axle Model	Type/Cap. #	Comments	Kit
DC451-P	F-45,000		DRK-207
DP451-P	F-45,000		DRK-207
DS451-P	F-45,000	Before 4-6-89	DRK-196
		4-6-89 thru 12-31-94	DRK-222F
		After 1-1-95	DRK-196
DT451-P	F-45,000		DRK-207
RC451	R-45,000		DRK-1
RP451-P	R-45,000		DRK-1
RS451	R-45,000	Before 4-6-89	DRK-1A
		4-6-89 thru 12-31-94	DRK-222R
		After 1-1-95	DRK-412
RT451-P	R-45,000		DRK-1
DA454(P)	F-45,000		DRK-404F
DD454(P)	F-45,000		DRK-405F
DS454(P)	F-45,000		DRK-404F
RA454	R-45,000		DRK-404R
RD454	R-45,000		DRK-405R
RS454	R-45,000		DRK-404R
DC460-P	F-46,000		DRK-211F
DP460-P	F-46,000	22 Spline & Case # 103530	DRK-209
		36 Spline & Case # 110500	DRK-210
DS460-P	F-46,000	22 Spline & Case # 103530	DRK-208A
		36 Spline & Case # 110500	DRK-208
DT460-P	F-46,000	22 Spline & Case # 103530	DRK-209
		36 Spline & Case # 110500	DRK-210
RC460	R-46,000		DRK-219R
RP460	R-46,000		DRK-72B
RS460	R-46,000		DRK-18E
RT460	R-46,000		DRK-72B
DC461-P	F-46,000	Prior 2/2000	DRK-211F
		After 2/2000	DRK-432
DD461-P	F-46,000	Prior 2/2000	DRK-211F
		After 2/2000	DRK-432
DP461-P	F-46,000	Prior 2/2000	DRK-211F
		After 2/2000	DRK-432
DS461-P	F-46,000	Prior 2/2000	DRK-208
		After 2/2000	DRK-433
DT461-P	F-46,000	Prior 2/2000	DRK-211F
		After 2/2000	DRK-432
RC461	R-46,000		DRK-219R
RD461	R-46,000		DRK-219R
RP461	R-46,000		DRK-219R
RS461	R-46,000		DRK-449
RT461	R-46,000		DRK-219R
SP461	R-46,000		DRK-220F
TP461	F-46,000		DRK-220F
DC462-P	F-46,000	Prior 2/2000	DRK-211F
		After 2/2000	DRK-432
DD462-P	F-46,000	Prior 2/2000	DRK-211F
		After 2/2000	DRK-432
DP462-P	F-46,000	Prior 2/2000	DRK-211F
		After 2/2000	DRK-432
DS462-P	F-46,000	Prior 2/2000	DRK-208
		After 2/2000	DRK-433

Eaton

Axle Model	Type/Cap. #	Comments	Kit
DT462-P	F-46,000	Prior 2/2000	DRK-211F
		After 2/2000	DRK-432
RC462	R-46,000		DRK-219R
RD462	R-46,000		DRK-219R
RP462	R-46,000		DRK-219R
RS462	R-46,000		DRK-449
RT462	R-46,000		DRK-219R
SP462	R-46,000		DRK-220F
TP462	F-46,000		DRK-220F
DC463-P	F-46,000	Prior 2/2000	DRK-211F
		After 2/2000	DRK-432
DD463-P	F-46,000	Prior 2/2000	DRK-211F
		After 2/2000	DRK-432
DP463-P	F-46,000	Prior 2/2000	DRK-211F
		After 2/2000	DRK-432
DS463-P	F-46,000	Prior 2/2000	DRK-208
		After 2/2000	DRK-433
DT463-P	F-46,000	Prior 2/2000	DRK-211F
		After 2/2000	DRK-432
RC463	R-46,000		DRK-219R
RD463	R-46,000		DRK-219R
RP463	R-46,000		DRK-219R
RS463	R-46,000		DRK-449
RT463	R-46,000		DRK-219R
SP463	R-46,000		DRK-220F
TP463	F-46,000		DRK-220F
DP466-P	F-46,000		DRK-426
DS466-P	F-46,000	w/ Traction Control	DRK-426
		w/o Traction Control	DRK-425
DT466-P	F-46,000		DRK-426
RP466-P	R-46,000		DRK-72B
RS466	R-46,000	w/ Traction Control	DRK-72B
		w/o Traction Control	DRK-18E
RT466-P	R-46,000		DRK-72B
DC480-P	F-48,000		DRK-211F
DP480-P	F-48,000	22 Spline & Case # 103530	DRK-209
		36 Spline & Case # 110500	DRK-210
DS480-P	F-48,000	22 Spline & Case # 103530	DRK-208A
		36 Spline & Case # 110500	DRK-208
DT480-P	F-48,000	22 Spline & Case # 103530	DRK-209
		36 Spline & Case # 110500	DRK-210
RC480	R-48,000		DRK-219R
RP480	R-48,000		DRK-72B
RS480	R-48,000		DRK-18E
RT480	R-48,000		DRK-72B
DP485-P	F-48,000		DRK-211F
DT485-P	F-48,000		DRK-211F
RP485	R-48,000		DRK-72B
RT485	R-48,000		DRK-72B
DC521-P	F-52,000	Prior 2/2000	DRK-211F
		After 2/2000	DRK-432
DD521-P	F-52,000	Prior 2/2000	DRK-211F
		After 2/2000	DRK-432
DP521-P	F-52,000	Prior 2/2000	DRK-211F
		After 2/2000	DRK-432

Eaton Index

Axle Model	Type/Cap.#	Comments	Kit
DS521-P	F-52,000	Prior 2/2000 After 2/2000	DRK-208 DRK-433
DT521-P	F-52,000	Prior 2/2000 After 2/2000	DRK-211F DRK-432
RC521	R-52,000		DRK-219R
RD521	R-52,000		DRK-219R
RP521	R-52,000		DRK-219R
RS521	R-52,000		DRK-449
RT521	R-52,000		DRK-219R
SP521	R-52,000		DRK-220F
TP521	F-52,000		DRK-220F
DP550	F-55,000	22 Spline & Case # 103530 36 Spline & Case # 110500	DRK-211FA DRK-211F
RP550	R-55,000		DRK-72B
RT550	R-55,000		DRK-72B
SP550	F-55,000		DRK-220FA
TP550	F-55,000		DRK-220FA
DP580-P	F-58,000	22 Spline & Case # 103530 36 Spline & Case # 110500	DRK-211FA DRK-211F
DT580-P	F-58,000	22 Spline & Case # 103530 36 Spline & Case # 110500	DRK-211FA DRK-211F
RP580	R-58,000		DRK-219R
RS580	R-58,000	w/ Traction Control	DRK-219R
RT580	R-58,000		DRK-219R
SP580	F-58,000		DRK-220FA
TP580	F-58,000		DRK-220FA
DD581-P	F-58,000	Prior 2/2000 After 2/2000	DRK-211F DRK-432
DS581-P	F-58,000	Prior 2/2000 After 2/2000	DRK-208 DRK-433
RD581	R-58,000		DRK-219R
RS581	R-58,000		DRK-449
DD601(P)	F-60,000	Prior 2/2000 After 2/2000	DRK-211F DRK-432
DP601-P	F-60,000	Prior 2/2000 After 2/2000	DRK-211F DRK-432
DS601(P)	F-60,000	Prior 2/2000 After 2/2000	DRK-208 DRK-433
DT601-P	F-60,000	Prior 2/2000 After 2/2000	DRK-211F DRK-432
RC601	R-60,000		DRK-219R
RP601	R-60,000		DRK-219R
RS601	R-60,000		DRK-449
RT601	R-60,000		DRK-219R
SP601	R-60,000		DRK-220F
TP601	F-60,000		DRK-220F
DP650-P	F-65,000	22 Spline & Case # 103530 36 Spline & Case # 110500	DRK-211FA DRK-211F
DT650-P	F-65,000	22 Spline & Case # 103530 36 Spline & Case # 110500	DRK-211FA DRK-211F
RP650	R-65,000		DRK-219R
RS650	R-65,000	w/ Traction Control	DRK-219R
RT650	R-65,000		DRK-219R
SP650	F-65,000		DRK-220FA
TP650	F-65,000		DRK-220FA

Eaton Index

Axle Model	Type/Cap.#	Comments	Kit
DD651(P)	F-65,000	Prior 2/2000 After 2/2000	DRK-211F DRK-432
DP651-P	F-65,000	Prior 2/2000 After 2/2000	DRK-211F DRK-432
DS651-P	F-65,000	Prior 2/2000 After 2/2000	DRK-208 DRK-433
DT651-P	F-65,000	Prior 2/2000 After 2/2000	DRK-211F DRK-432
RC651	R-65,000		DRK-219R
RP651	R-65,000		DRK-219R
RS651	R-65,000		DRK-449
RT651	R-65,000		DRK-219R
SP651	R-65,000		DRK-220F
TP651	F-65,000		DRK-220F
DC3416-P	F-34,000		DRK-424
DP3416-P	F-34,000		DRK-424
DS3416-P	F-34,000		DRK-422
DT3416-P	F-34,000		DRK-424
RC3416	R-34,000		DRK-1
RP3416-P	R-34,000		DRK-1
RS3416	R-34,000		DRK-1A
RT3416-P	R-34,000		DRK-1
DC4026-P	F-40,000		DRK-424
DP4026-P	F-40,000		DRK-424
DS4026-P	F-40,000		DRK-422
DT4026-P	F-40,000		DRK-424
RC4026	R-40,000		DRK-1
RP4026-P	R-40,000		DRK-1
RS4026	R-40,000		DRK-1A
RT4026-P	R-40,000		DRK-1
DC4616-P	F-46,000		DRK-426
DP4616-P	F-46,000		DRK-426
DS4616-P	F-46,000		DRK-423
DT4616-P	F-46,000		DRK-426
RC4616	R-46,000		DRK-72B
RP4616-P	R-46,000		DRK-219R
RS4616	R-46,000		DRK-449
RT4616-P	R-46,000		DRK-219R
DC5216-P	F-52,000		DRK-426
DP5216-P	F-52,000		DRK-426
DS5216-P	F-52,000		DRK-423
DT5216-P	F-52,000		DRK-426
RC5216	R-52,000		DRK-72B
RP5216-P	R-52,000		DRK-219R
RS5216	R-52,000		DRK-449
RT5216-P	R-52,000		DRK-219R
DP6016-P	F-60,000		DRK-426
DT6016-P	F-60,000		DRK-426
RP6016-P	R-60,000		DRK-219R
RT6016-P	R-60,000		DRK-219R
DP6516-P	F-65,000		DRK-426
DT6516-P	F-65,000		DRK-426
RP6516-P	R-65,000		DRK-219R
RT6516-P	R-65,000		DRK-219R
350	R-		DRK-24

Differential Index

Eaton Index

Axle Model	Type/Cap.#	Comments	Kit
502	R-		DRK-72
503	R-		DRK-72
1350	R-10-15,000	Exc. Dodge 1957-1958	DRK-24
1618	R-16-17,000		DRK-23
1619	R-16-17,000		DRK-23
1880	R-19-22,000		DRK-1
1881	R-19-22,000		DRK-1
3800	R-15,000		DRK-24
3802	R-15,000		DRK-24
6802	R-16,000		DRK-23
6803	R-16,000		DRK-23
7500	F-		DRK-202
7800	R-18,000		DRK-1
7801	R-18,000		DRK-1
7810	R-18,000		DRK-1
8800	R-22,000		DRK-1
8802	R-22,000		DRK-1
8803	R-22,000		DRK-1
9000	F-		DRK-202
9502	R-23,000		DRK-72
9503	R-23,000		DRK-72
9512	R-23,000		DRK-72
10000	F-		DRK-202
12000	F-		DRK-202
13600	R-13,000		DRK-411
13602	R-13,000		DRK-411
13800	R-13,000		DRK-24
13802	R-13,000		DRK-24
13803	R-13,000		DRK-24
15040-P	R-15,000		DRK-24
15040-S	R-15,000		DRK-400
15040-T	R-15,000		DRK-24
15101	R-15,000		DRK-24
15200	R-15,000		DRK-24
15201	R-15,000		DRK-24
15300	R-15,000		DRK-24
15301	R-15,000		DRK-24
16120	R-16,000		DRK-23D
16123	R-16,000		DRK-23D
16220	R-16,000	w/ 15" Ring Gear	DRK-23
		w/ 15-1/2" Ring Gear	DRK-23D
16244	R-16,000		DRK-23D
16247	R-17,500		DRK-23D
16320	R-16,000		DRK-23
16321	R-16,000		DRK-23
16344	R-16,000		DRK-23D
16500	R-16,000		DRK-23
16501	R-16,000		DRK-23
16800	R-16,000		DRK-23
16802	R-16,000		DRK-23
16803	R-16,000		DRK-23
17060-S	R-17,000		DRK-404R
17100	R-17,000		DRK-1A
17101	R-17,000		DRK-1A
17120	R-17,000		DRK-1A

Eaton Index

Axle Model	Type/Cap.#	Comments	Kit
17121	R-17,000		DRK-1A
17123	R-17,000		DRK-1A
17200	R-17,000		DRK-1
17201	R-17,000		DRK-1
17202	R-17,000		DRK-1
17220	R-17,000		DRK-1
17221	R-17,000		DRK-1
17300	R-17,000		DRK-1
17301	R-17,000		DRK-1
17302	R-17,000		DRK-1
17320	R-17,000		DRK-1
17321	R-17,000		DRK-1
17322	R-17,000		DRK-1
17401	R-17,000		DRK-1
17421	R-17,000		DRK-1
17500	R-17,000		DRK-1
17501	R-17,000		DRK-1
17800	R-17,000		DRK-1
17810	R-17,000		DRK-1
18100	R-18,000		DRK-1A
18101	R-18,000		DRK-1A
18103	R-18,000		DRK-1A
18120	R-18,000		DRK-1A
18121	R-18,000		DRK-1A
18123	R-18,000		DRK-1A
18200	R-18,000		DRK-1
18201	R-18,000		DRK-1
18202	R-18,000		DRK-1
18207	R-18,000		DRK-1
18220	R-18,000		DRK-1
18221	R-18,000		DRK-1
18227	R-18,000		DRK-1
18300	R-18,000		DRK-1
18301	R-18,000		DRK-1
18302	R-18,000		DRK-1
18320	R-18,000		DRK-1
18321	R-18,000		DRK-1
18322	R-18,000		DRK-1
18500	R-18,000		DRK-1
18501	R-18,000		DRK-1
18502	R-18,000		DRK-1
18503	R-18,000		DRK-1
18800	R-18,000		DRK-1
18802	R-18,000		DRK-1
18803	R-18,000		DRK-1
18812	R-18,000		DRK-1
18813	R-18,000		DRK-1
19050-D	R-19,000		DRK-221
19050-P	R-19,000		DRK-23D
19050-S	R-19,000		DRK-221
19050-T	R-19,000		DRK-23D
19055-D	R-19,000		DRK-406
19055-P	R-19,000		DRK-403
19055-S	R-19,000		DRK-406
19055-T	R-19,000		DRK-403

Differential Index

Eaton Index

Axle Model	Type/Cap. #	Comments	Kit
19060-D	R-19,000		DRK-405R
19060-S	R-19,000		DRK-404R
19060-T	R-19,000		DRK-1
19100	R-19,000		DRK-415
19120	R-19,000		DRK-18D
19121	R-19,000	Exc. Dodge	DRK-18D
19123	R-19,000		DRK-18D
19200	R-19,000		DRK-72
19201	R-19,000		DRK-72
19202	R-19,000		DRK-72
19220	R-19,000	w/ 103537 Case	DRK-72B
		w/o 103537 Case	DRK-72A
19221	R-19,000	w/ 103537 Case	DRK-72B
		w/o 103537 Case	DRK-72A
19223	R-19,000		DRK-72A
19227	R-19,000	Before 2-1-79	DRK-413
		After 2-1-79	DRK-219R
19237	R-19,000	After 2-1-79	DRK-219R
19300	R-19,000		DRK-72
19301	R-19,000		DRK-72
19320	R-19,000		DRK-72A
19321	R-19,000	w/ 103537 Case	DRK-72B
		w/o 103537 Case	DRK-72A
19323	R-19,000		DRK-72A
19327	R-19,000		DRK-413
19420	R-19,000		DRK-413
19426	R-19,000		DRK-413
19500	R-19,000		DRK-72
19501	R-19,000		DRK-72
19502	R-19,000		DRK-72
19503	R-19,000		DRK-72
19512	R-19,000		DRK-72
19513	R-19,000		DRK-72
19515	R-19,000		DRK-72
20000	R-20,000		DRK-72
20100	R-20,000		DRK-415
20120	R-20,000		DRK-18D
20121	R-20,000		DRK-18D
20123	R-20,000		DRK-18D
20200	R-20,000		DRK-72
20201	R-20,000		DRK-72
20220	R-20,000	w/ 103537 Case	DRK-72B
		w/o 103537 Case	DRK-72A
20221	R-20,000	w/ 103537 Case	DRK-72B
		w/o 103537 Case	DRK-72A
20223	R-20,000		DRK-72A
20300	R-20,000		DRK-72
20301	R-20,000		DRK-72
20320	R-20,000	w/ 103537 Case	DRK-72B
		w/o 103537 Case	DRK-72A
20321	R-20,000	w/ 103537 Case	DRK-72B
		w/o 103537 Case	DRK-72A
20323	R-20,000		DRK-72A
20500	R-20,000		DRK-72
20501	R-20,000		DRK-72

Eaton Index

Axle Model	Type/Cap. #	Comments	Kit
20502	R-20,000		DRK-72
20503	R-20,000		DRK-72
21060-D	R-21,000		DRK-405R
21060-S	R-21,000		DRK-404R
21060-T	R-21,000		DRK-1
21065-D	R-21,000		DRK-406
21065-P	R-21,000		DRK-403
21065-S	R-21,000		DRK-406
21065-T	R-21,000		DRK-403
21065-Y	R-21,000		DRK-403
21080-D	R-21,000		DRK-410
21080-S	R-21,000		DRK-410
21121	R-21,000		DRK-1A
21221	R-21,000		DRK-1
21321	R-21,000		DRK-1
21421	R-21,000		DRK-1
22060-D	R-22,000		DRK-405R
22060-S	R-22,000		DRK-404R
22060-SH	R-22,000		DRK-429
22065-D	R-22,000		DRK-406
22065-P	R-22,000		DRK-403
22065-S	R-22,000		DRK-406
22065-T	R-22,000		DRK-403
22120	R-22,000		DRK-412
22121	R-22,000		DRK-412
22220	R-22,000		DRK-403
22221	R-22,000		DRK-403
22320	R-22,000		DRK-403
22321	R-22,000		DRK-403
22420	R-22,000		DRK-403
22421	R-22,000		DRK-403
22427	R-22,000		DRK-403
23070-D	R-23,000		DRK-407
23070-P	R-23,000		DRK-408
23070-S	R-23,000		DRK-407
23070-T	R-23,000		DRK-408
23080-D	R-23,000		DRK-410
23080-S	R-23,000		DRK-410
23080-P	R-23,000	Before 4-6-88	DRK-72B
		After 4-6-88	DRK-219R
23080-T	R-23,000	Before 4-6-88	DRK-72B
		After 4-6-88	DRK-219R
23085-C	R-23,000		DRK-219R
23085-D	R-23,000		DRK-410
23085-S	R-23,000		DRK-410
23105-C	R-23,000		DRK-401
23105-D	R-23,000		DRK-409
23105-S	R-23,000		DRK-402
23120	R-23,000	Large Spherical Differential	DRK-18E
23121	R-23,000	GMC Trucks	DRK-415
		Non-GMC Trucks	DRK-18E
23202	R-23,000		DRK-72
23220	R-23,000	w/ 27950 Case	DRK-72A
		w/103537 Case	DRK-72B

Differential Index

Eaton Index

Axle Model	Type/Cap. #	Comments	Kit
23221	R-23,000	w/ 27950 Case	DRK-72A
		w/103537 Case	DRK-72B
23227	R-23,000	Before 2-1-79	DRK-413
		After 2-1-79	DRK-219R
23302	R-23,000		DRK-72
23320	R-23,000	w/ 27950 Case	DRK-72A
		w/103537 Case	DRK-72B
23321	R-23,000	w/ 27950 Case	DRK-72A
		w/103537 Case	DRK-72B
23327	R-23,000	Before 2-1-79	DRK-413
		After 2-1-79	DRK-219R
23420	R-23,000	Before 2-1-79	DRK-413
		After 2-1-79	DRK-219R
23421	R-23,000		DRK-219R
23427	R-23,000		DRK-219R
23430	R-23,000	w/ CTD	DRK-219R
23433	R-23,000		DRK-219R
26080-D	R-26,000		DRK-410
26080-S	R-26,000		DRK-410
26085-P	R-26,000	Before 4-6-88	DRK-72B
		After 4-6-88	DRK-219R
26085-T	R-26,000	Before 4-6-88	DRK-72B
		After 4-6-88	DRK-219R
26105-C	R-26,000		DRK-401
26105-S	R-26,000		DRK-402
26120	R-26,000	Large Spherical Differential	DRK-18E
		Small Spherical Differential	DRK-18D
26121	R-26,000	Large Spherical Differential	DRK-18E
		Small Spherical Differential	DRK-18D

Eaton Index

Axle Model	Type/Cap. #	Comments	Kit
26123	R-26,000	Large Spherical Differential	DRK-18E
		Small Spherical Differential	DRK-18D
26220	R-26,000	w/ 27950 Case	DRK-72A
		w/103537 Case	DRK-72B
26221	R-26,000	w/ 27950 Case	DRK-72A
		w/103537 Case	DRK-72B
26223	R-26,000	w/ 27950 Case	DRK-72A
		w/103537 Case	DRK-72B
26320	R-26,000	w/ 27950 Case	DRK-72A
		w/103537 Case	DRK-72B
26321	R-26,000	w/ 27950 Case	DRK-72A
		w/103537 Case	DRK-72B
26323	R-26,000	w/ 27950 Case	DRK-72A
		w/103537 Case	DRK-72B
26420	R-26,000		DRK-413
26421	R-26,000		DRK-219R
26426	R-26,000		DRK-413
30055-P	R-30,000		DRK-219R
30105-C	R-30,000		DRK-401
30105-S	R-30,000		DRK-402
33321	R-33,000	w/ 27950 Case	DRK-72A
		w/103537 Case	DRK-72B
35055-P	R-35,000		DRK-219R
35227	R-35,000	w/ 27950 Case	DRK-413
		w/103537 Case	DRK-219R
35327	R-35,000	w/ 27950 Case	DRK-413
		w/103537 Case	DRK-219R

GMC Index

Axle Model	Type/Cap. #	Comments	Kit
H052	R-5,200	1968-On	DRK-700
H072	R-7,200	1968-On	DRK-700
H110	R-11,000	Before 1983	DRK-701
H130	R-13,000	Late Models	DRK-701

GMC Index

Axle Model	Type/Cap. #	Comments	Kit
H150	R-15,000	Before 1982	DRK-702
T150	R-15,000	1996-1983	DRK-170
H170	R-17,000	Before 1979	DRK-702
T170	R-17,000	1966-On	DRK-170

International Harvester/ Navistar Index

Axle Model	Type/Cap. #	Comments	Kit
RA15	R-6,000		DRK-195
RA25	R-13,500		DRK-202
RA29	R-15,500		DRK-191R
RA30	R-15,000		DRK-202
RA35	R-16,000		DRK-191R
RA39	R-16,000		DRK-191R
RA42	R-	w/o Involute Splines and Below Serial # 5141	DRK-192RA
RA42	R-	w/o Involute Splines and Serial # 5141 & Above	DRK-192R
RA42	R-	w/ Involute Splines	DRK-192RB
RA43	R-18,500	w/o Involute Splines and Below Serial # 5141	DRK-192RA
		w/o Involute Splines and Serial # 5141 & Above	DRK-192R
		w/ Involute Splines	DRK-192RB
RA44	R-18,500	w/o Involute Splines and Below Serial # 5141	DRK-192RA
		w/o Involute Splines and Serial # 5141 & Above	DRK-192R
		w/ Involute Splines	DRK-192RB
RA47	R-18,500	w/o Involute Splines and Below Serial # 5141	DRK-192RA
		w/o Involute Splines and Serial # 5141 & Above	DRK-192R
		w/ Involute Splines	DRK-192RB
RA48	R-18,500	w/o Involute Splines and Below Serial # 5141	DRK-192RA
		w/o Involute Splines and Serial # 5141 & Above	DRK-192R
		w/ Involute Splines	DRK-192RB
RA57	R-23,000	# G261412 & Up	DRK-198
		w/Involute Splines	DRK-201R
RA341	RF-30,000		DRK-191F
	RR-30,000		DRK-191R
RA351	RF-34,000	Below Diff Ser. #21453	DRK-192FC
		Diff Ser. #21453 & Higher w/Tapered Drive Bearing	DRK-192FB
	RR-34,000	Below Serial # 18798	DRK-192RA
		Serial # 18798 & Above	DRK-192R
		Involute Splines	DRK-192RB

International Harvester/ Navistar Index

Axle Model	Type/Cap. #	Comments	Kit
RA355	RF-38,000	Below Diff Ser. #21453	DRK-192FC
		Diff Ser. #21453 & Higher w/Tapered Drive Bearing	DRK-192FB
	RR-38,000	Below Diff Ser. # 18798	DRK-192RA
		Diff Ser. # 19798 & Up	DRK-192R
		Involute Splines	DRK-192RB
RA386	RF-	Below Diff Ser. #21453	DRK-192FC
		Diff Ser. #21453 & Higher w/Tapered Drive Bearing	DRK-192FB
	RR-	Below Diff Ser. # 18798	DRK-192RA
		Diff Ser. # 18798 & Up	DRK-192R
		w/Involute Splines	DRK-192RB
RA387	RF-	Below Diff Ser. #21453	DRK-192FC
		Diff Ser. #21453 & Higher w/Tapered Drive Bearing	DRK-192FB
	RR-	Below Diff Ser. # 18798	DRK-192RA
		Diff Ser. # 18798 & Up	DRK-192R
		w/Involute Splines	DRK-192RB
RA429	RF-		DRK-198
	RR-	w/Involute Splines	DRK-201R
RA472	RF-	Involute Splines	DRK-200F
		Involute Splines (Late Design)	DRK-200FA
	RR-	Involute Splines	DRK-192RB
RA474	RF-46,000	Involute Splines	DRK-201F
		Involute Splines (Late Design)	DRK-201FA
RA474	RR-46,000	Involute Splines	DRK-201R

Mack Index

Axle Model	Type/Cap.#	Comments	Kit
RAD23	R-		DRK-117
SW29	RF-& RR-		DRK-205
SW30	RF-& RR-		DRK-205
SW31	RF-& RR-		DRK-205
CRDP32			DRK-504
SWD32	RF-& RR-		DRK-206
CRD33			DRK-505
AWDR48	RF-& RR-		DRK-117
SWS59	RF-		DRK-212F
	RR-		DRK-212R
SWW59	RF-		DRK-212F
	RR-		DRK-212R
SS65	RF-		DRK-212F
	RR-		DRK-212R
SW65	RF-		DRK-212F
	RR-		DRK-212R
SWD69	RF-80,000		DRK-212F
	RR-80,000		DRK-212R
SWW69	RF-		DRK-212F
	RR-		DRK-212R
SWW69W	RF-		DRK-212F
	RR-		DRK-212R
CRD78	R-22,000		DRK-117
SW80	RF-		DRK-212F
	RR-		DRK-212R
CRDLP92		w/11KH5312, 5313	DRK-206
		w/11KH5313	DRK-206
		w/11KH5316, 5317, 5318, 5319	DRK-206
SWS92	RF-		DRK-212F
	RR-		DRK-212R
CRD93		Non-Current	DRK-502
		w/11KH5326, 5327, 5330	DRK-205
CRDLP93			DRK-205
CRD93A			DRK-503
SWS93	RF-		DRK-212F
	RR-		DRK-212R
CRD94			DRK-117
CRDP95			DRK-212F
SWWP95	RF-		DRK-212F
	RR-		DRK-212R
CRD96			DRK-212R
CRDPC112		w/11KH5333, 5334, 5336	DRK-206
CRD113		Non-Current	DRK-502
		w/11KH5341, 5342	DRK-205
CRD116	R-22,000		DRK-117
		Non-Current	DRK-117A
		w/11KHA4165, 4165A	DRK-117

Mack Index

Axle Model	Type/Cap.#	Comments	Kit
CRD117		Non-Current	DRK-117A
		w/11KHA4159API-AP14	DRK-117
		w/11KHA45159CP12	DRK-117
CRD118			DRK-506
CRDP200			DRK-500
CRD201			DRK-501
CRD202			DRK-500
CRD203			DRK-501
RAD303	R-		DRK-117
RAD305	R-		DRK-117
RAD500	R-		DRK-117
RAS500	R-		DRK-117
RAD501	R-		DRK-117
RAD507	R-22,000		DRK-117
RAD508	R-22,000		DRK-117
RAD509	R-22,000		DRK-117
RAD512	R-22,000		DRK-117
RAD529	R-23,000		DRK-117
RAD529CW	R-		DRK-117
RADL529	R-23,000		DRK-117
RAD530	R-23,000		DRK-117
RAD530C	R-		DRK-117
SWS592	RF-		DRK-212F
	RR-		DRK-212R
SWW592	RF-		DRK-212F
	RR-		DRK-212R
RAD606	R-27,000		DRK-117
RAD606C	R-		DRK-117
SWD691	RF-		DRK-212F
	RR-		DRK-212R
RAD705	R-41,000		DRK-117
CRD781	R-22,000		DRK-117
SWP801	RF-		DRK-212F
	RR-		DRK-212R
RADF1000	R-		DRK-117
RADP1000	R-		DRK-117
RADP1001	R-		DRK-117
CRD1161	R-22,000	Non-Current	DRK-117A
		w/11KHA4159,4159A,4166,4166A	DRK-117
CRD1171	R-22,000	Non-Current	DRK-117A
		w/11KHA4159C, 4167B	DRK-117
		w/11KHA4167, 4167A	DRK-117
RAD5291	R-23,000		DRK-117
RADL5291	R-23,000		DRK-117

Meritor/Rockwell Axle Identification

Nominal Axle Load Rating (GAWR):
In thousands of pounds. Individual forward and rear axles of a tandem set (**D, N, P, R**) are rated as single axles. A tandem set (**T**) is rated as the combination of the two axles and a tridem set (**Z**) as the combination of the three axles.

Manufacturing Location
A - Australia
B - Brazil
C - India
D - Mexico (Dirona)
E - Europe (C.V.C.)
M - Europe (Maudslay)
N - U.S.A.

Hub Type
A - Aluminum
F - Ferrous
N - None

Brake Type
C - Dura-Master® Air Disc Brake
D - RDA Stopmaster® Wedge Brake (Dual Air Chambers)
E - RDH Stopmaster® Wedge Brake (Dual Hydraulic Cylinders)
F - RSH Stopmaster® Wedge Brake (Single Hydraulic Cylinder)
L - Q Plus Cam Brake
N - None
P - Cam-Master® "P" Series Cam Brake
Q - Cam-Master® "Q" Series Cam Brake
S - RSA Stopmaster® Wedge Brake (Single Air Chamber)
T - Cam-Master® "T" Series Cam Brake
W - Cam-Master® "W" Series Cam Brake

Gearing Type
1 - Single Speed
2 - Two Speed
3 - Helical Double Reduction
4 - Salisbury Single Speed
5 - Planetary Double Reduction
6 - Hub Reduction

Main Differential Nest Type
B - Special Differential
C - Driver Controlled Differential Lock
F - Standard Differential
H - High Traction® Differential
N - NoSPIN™ Differential

RR 20 1 4 5 N C Q F 123

Axle Specification Number
Identifies specific customer axle configurations (variations from the original axle design). For information about the variation, see the Bill of Materials for that specific axle model.

Axle Type
C - Single Rear Drive Axle, Coach
D - Forward-Rear Axle of a Drive Tandem with Inter-Axle Differential
N - Forward-Rear Axle of a Drive Tandem or Tridem without Inter-Axle Differential
P - Forward-Rear Axle of a Drive Tandem with Inter-Axle Differential and Pump
R - Rear-Rear Axle of a Drive Tandem
S - Single Rear Drive Axle
T - Tandem Drive Axle Set
Z - Tridem Drive Axle Set

Carrier Type
Carrier size. Large numbers indicate a higher GCW rated carrier; i.e., larger ring gear, etc.

Axle Design Variation
Indicates axle design level or variation, (e.g., RS 23 161 has a thicker wall housing than the RS 23 160). For information, see the Bill of Materials for that specific axle model.

Meritor/Rockwell Index

113 Series Single Axles

Axle Model	Sub Model	Type/Cap. #	Carriers	Notes	Kit
MS-10-113		R-10,000	All		DRK-4753
MS-11-113		R-11,000	All		DRK-4753
MS-12-113		R-12,000	All		DRK-4753

120, 125 Series Single Axles

Axle Model	Sub Model	Type/Cap. #	Carriers	Notes	Kit
RS-13-120		R-13,000	All		DRK-218
RS-15-120		R-15,000	All		DRK-218
RS-15-125		R-15,000	All		DRK-218

140, 141, 143, 144 & 145 Series Single Axles

Axle Model	Sub Model	Type/Cap. #	Carriers	Notes	Kit
RS-16-140		R-16,000	All	L1676	DRK-4350
				M1547	DRK-4345
RS-16-141		R-16,000	All		DRK-217R
RS-17-140		R-17,000	All	L1676	DRK-4350
				M1547	DRK-4345
RS-17-141		R-17,000	All		DRK-217R
RS-17-144		R-17,000	All	D1850	DRK-217R
				E1851	DRK-217R
				G1879	DRK-4390
				L1676	DRK-217R
				M1885	DRK-217R
				Q1785	DRK-217R
				R1500	DRK-224
				S1895	DRK-217R
				X1558	DRK-4390
				RS-17-145	
RS-19-144		R-19,000	All	D1850	DRK-217R
				E1851	DRK-217R
				G1879	DRK-4390
				L1676	DRK-217R
				M1885	DRK-217R
				Q1785	DRK-217R
				R1500	DRK-224
				S1895	DRK-217R
				X1558	DRK-4390
				RS-19-145	
RS-21-145		R-21,000	All	D1850	DRK-217R
				E1851	DRK-217R
				G1879	DRK-4390
				L1676	DRK-217R
				M1885	DRK-217R
				Q1785	DRK-217R
				R1500	DRK-224
				S1895	DRK-217R
				X1558	DRK-4390

140, 141, 143, 144 & 145 Series Tandem Axles

Axle Model	Sub Model	Type/Cap. #	Carriers	Notes	Kit
RT-34-144		RT-34,000			
	RD-17-144	RF-17,000	B1978	Prior to 11/93 w/ Original 39 Spline Input	DRK-217F

140, 141, 143, 144 & 145 Series Tandem Axles *Continued*

Axle Model	Sub Model	Type/Cap. #	Carriers	Notes	Kit	
RT-34-144	RD-17-144	RF-17,000	B1978	Prior to 11/93 w/ New 46 Spline Input	DRK-4395	
				After 11/93	DRK-4396	
				C1979	Prior to 11/93 w/ Original 39 Spline Input	DRK-217F
				C1979	Prior to 11/93 w/ New 46 Spline Input	DRK-4395
				C1979	After 11/93	DRK-4396
				E1903	Prior to 11/93	DRK-4405
				E1903	After 11/93	DRK-4406
				E1981	Prior to 11/93	DRK-4405
				E1981	After 11/93	DRK-4406
				F1852	Prior to 11/93 w/ Original 39 Spline Input	DRK-217F
				F1852	Prior to 11/93 w/ New 46 Spline Input	DRK-4395
				F1852	After 11/93	DRK-4396
				G1645	Prior to 11/93 w/ Original 39 Spline Input	DRK-217F
				G1645	Prior to 11/93 w/ New 46 Spline Input	DRK-4395
				G1645	After 11/93	DRK-4396
				M1677	Prior to 11/93	DRK-4405
				M1677	After 11/93	DRK-4406
				N1860	Prior to 11/93 w/ Original 39 Spline Input	DRK-217F
				N1860	Prior to 11/93 w/ New 46 Spline Input	DRK-4395
				N1860	After 11/93	DRK-4396
R1890	Prior to 11/93	DRK-4405				
R1890	After 11/93	DRK-4406				
S1917	Prior to 11/93 w/ Original 39 Spline Input	DRK-217F				
S1917	Prior to 11/93 w/ New 46 Spline Input	DRK-4395				
S1917	After 11/93	DRK-4396				
T1814	Prior to 11/93 w/ Original 39 Spline Input	DRK-217F				
T1814	Prior to 11/93 w/ New 46 Spline Input	DRK-4395				
T1814	After 11/93	DRK-4396				
U1815	Prior to 11/93	DRK-4405				
U1815	After 11/93	DRK-4406				
RP-17-144		RF-17,000	D1902	Prior to 11/93	DRK-4405	
				After 11/93	DRK-4406	
				G1853	Prior to 11/93 w/ Original 39 Spline Input	DRK-217F
				G1853	Prior to 11/93 w/ New 46 Spline Input	DRK-4395
				G1853	After 11/93	DRK-4396
				H1984	Prior to 11/93 w/ Original 39 Spline Input	DRK-217F
				H1984	Prior to 11/93 w/ New 46 Spline Input	DRK-4395
				H1984	After 11/93	DRK-4396
				K1987	Prior to 11/93	DRK-4405
				L1624	After 11/93	DRK-4406

Meritor/Rockwell Index

140, 141, 143, 144 & 145 Series Tandem Axles *Continued*

Axle Model	Sub Model	Type/Cap. #	Carriers	Notes	Kit		
RT-34-144	RP-17-144	RF-17,000	L1624	After 11/93	DRK-4406		
			P1888	Prior to 11/93	DRK-4405		
			P1888	After 11/93	DRK-4406		
			V1816	Prior to 11/93 w/ Original 39 Spline Input	DRK-217F		
			V1816	Prior to 11/93 w/ New 46 Spline Input	DRK-4395		
			V1816	After 11/93	DRK-4396		
			W1817	Prior to 11/93	DRK-4405		
			W1817	After 11/93	DRK-4406		
			X1662	Prior to 11/93 w/ Original 39 Spline Input	DRK-217F		
			X1662	Prior to 11/93 w/ New 46 Spline Input	DRK-4395		
			X1662	After 11/93	DRK-4396		
			RR-17-144	RR-17,000	D1850		DRK-217R
					E1851		DRK-217R
					G1879		DRK-4390
L1676		DRK-217R					
M1885		DRK-217R					
Q1785		DRK-217R					
S1865		DRK-217R					
X1558		DRK-4390					
RT-34-145		RT-34,000	All	Prior to 11/93 w/ Original 39 Spline Input	DRK-217F		
	RD-17-145	RF-17,000	All	Prior to 11/93 w/ New 46 Spline Input	DRK-4395		
	RD-17-145	RF-17,000	All	After 11/93	DRK-4396		
	RP-17-145	RF-17,000	All	Prior to 11/93	DRK-4395		
	RP-17-145	RF-17,000	All	After 11/93	DRK-4396		
	RR-17-145	RR-17,000	All		DRK-217R		
RT-38-144	RD-19-144	RF-19,000	B1978	Prior to 11/93 w/ Original 39 Spline Input	DRK-217F		
			B1978	Prior to 11/93 w/ New 46 Spline Input	DRK-4395		
			B1978	After 11/93	DRK-4396		
			C1979	Prior to 11/93 w/ Original 39 Spline Input	DRK-217F		
			C1979	Prior to 11/93 w/ New 46 Spline Input	DRK-4395		
			C1979	After 11/93	DRK-4396		
			E1903	Prior to 11/93	DRK-4405		
			E1903	After 11/93	DRK-4406		
			E1981	Prior to 11/93	DRK-4405		
			E1981	After 11/93	DRK-4406		
			F1852	Prior to 11/93 w/ Original 39 Spline Input	DRK-217F		
			F1852	Prior to 11/93 w/ New 46 Spline Input	DRK-4395		
			F1852	After 11/93	DRK-4396		
			G1645	Prior to 11/93 w/ Original 39 Spline Input	DRK-217F		
			G1645	Prior to 11/93 w/ New 46 Spline Input	DRK-4395		
			G1645	After 11/93	DRK-4396		
			M1677	Prior to 11/93	DRK-4405		

Axle Model	Sub Model	Type/Cap. #	Carriers	Notes	Kit
RT-38-144	RD-19-144	RF-19,000	M1677	After 11/93	DRK-4406
			N1860	Prior to 11/93 w/ Original 39 Spline Input	DRK-217F
			N1860	Prior to 11/93 w/ New 46 Spline Input	DRK-4395
			N1860	After 11/93	DRK-4396
			R1890	Prior to 11/93	DRK-4405
			R1890	After 11/93	DRK-4406
			S1917	Prior to 11/93 w/ Original 39 Spline Input	DRK-217F
			S1917	Prior to 11/93 w/ New 46 Spline Input	DRK-4395
			S1917	After 11/93	DRK-4396
			T1814	Prior to 11/93 w/ Original 39 Spline Input	DRK-217F
			T1814	Prior to 11/93 w/ New 46 Spline Input	DRK-4395
			T1814	After 11/93	DRK-4396
			U1815	Prior to 11/93	DRK-4405
			U1815	After 11/93	DRK-4406
RP-19-144	RF-19,000	D1902	Prior to 11/93	DRK-4405	
		D1902	After 11/93	DRK-4406	
		G1853	Prior to 11/93 w/ Original 39 Spline Input	DRK-217F	
		G1853	Prior to 11/93 w/ New 46 Spline Input	DRK-4395	
		G1853	After 11/93	DRK-4396	
		H1984	Prior to 11/93 w/ Original 39 Spline Input	DRK-217F	
		H1984	Prior to 11/93 w/ New 46 Spline Input	DRK-4395	
		H1984	After 11/93	DRK-4396	
		K1987	Prior to 11/93	DRK-4405	
		K1987	After 11/93	DRK-4406	
		L1624	Prior to 11/93	DRK-4405	
		L1624	After 11/93	DRK-4406	
		P1888	Prior to 11/93	DRK-4405	
		P1888	After 11/93	DRK-4406	
V1816	Prior to 11/93 w/ Original 39 Spline Input	DRK-217F			
V1816	Prior to 11/93 w/ New 46 Spline Input	DRK-4395			
V1816	After 11/93	DRK-4396			
W1817	Prior to 11/93	DRK-4405			
W1817	After 11/93	DRK-4406			
X1662	Prior to 11/93 w/ Original 39 Spline Input	DRK-217F			
X1662	Prior to 11/93 w/ New 46 Spline Input	DRK-4395			
X1662	After 11/93	DRK-4396			
RR-19-144	RR-19,000	D1850		DRK-217R	
		E1851		DRK-217R	
		G1879		DRK-4390	
		L1676		DRK-217R	
		M1885		DRK-217R	
		Q1785		DRK-217R	
		S1865		DRK-217R	
X1558		DRK-4390			

Meritor/Rockwell Index

140, 141, 143, 144 & 145 Series Tandem Axles *Continued*

Axle Model	Sub Model	Type/Cap. #	Carriers	Notes	Kit
RT-40-140		RT-40,000			
	RD-20-140	RF-20,000	All	Prior to 11/93	DRK-4355
	RD-20-140	RF-20,000	All	After 11/93	DRK-4356
	RR-20-140	RR-20,000	All		DRK-217R
MT-40-143		RT-40,000			
	MD-20-143	RF-20,000	B1978	Prior to 11/93 w/ Original 39 Spline Input	DRK-217F
			B1978	Prior to 11/93 w/ New 46 Spline Input	DRK-4395
			B1978	After 11/93	DRK-4396
			C1979	Prior to 11/93 w/ Original 39 Spline Input	DRK-217F
			C1979	Prior to 11/93 w/ New 46 Spline Input	DRK-4395
			C1979	After 11/93	DRK-4396
			E1903	Prior to 11/93	DRK-4405
			E1903	After 11/93	DRK-4406
			E1981	Prior to 11/93	DRK-4405
			E1981	After 11/93	DRK-4406
			F1852	Prior to 11/93 w/ Original 39 Spline Input	DRK-217F
			F1852	Prior to 11/93 w/ New 46 Spline Input	DRK-4395
			F1852	After 11/93	DRK-4396
			G1645	Prior to 11/93 w/ Original 39 Spline Input	DRK-217F
			G1645	Prior to 11/93 w/ New 46 Spline Input	DRK-4395
			G1645	After 11/93	DRK-4396
			M1677	Prior to 11/93	DRK-4405
			M1677	After 11/93	DRK-4406
			N1860	Prior to 11/93 w/ Original 39 Spline Input	DRK-217F
			N1860	Prior to 11/93 w/ New 46 Spline Input	DRK-4395
			N1860	After 11/93	DRK-4396
			R1890	Prior to 11/93	DRK-4405
			R1890	After 11/93	DRK-4406
			S1917	Prior to 11/93 w/ Original 39 Spline Input	DRK-217F
			S1917	Prior to 11/93 w/ New 46 Spline Input	DRK-4395
			S1917	After 11/93	DRK-4396
			T1814	Prior to 11/93 w/ Original 39 Spline Input	DRK-217F
			T1814	Prior to 11/93 w/ New 46 Spline Input	DRK-4395
			T1814	After 11/93	DRK-4396
			U1815	Prior to 11/93	DRK-4405
			U1815	After 11/93	DRK-4406
	MP-20-143	RF-20,000	D1902	Prior to 11/93	DRK-4405
			D1902	After 11/93	DRK-4406
			G1853	Prior to 11/93 w/ Original 39 Spline Input	DRK-217F
			G1853	Prior to 11/93 w/ New 46 Spline Input	DRK-4395
			G1853	After 11/93	DRK-4396

Axle Model	Sub Model	Type/Cap. #	Carriers	Notes	Kit
MT-40-143	MP-20-143	RF-20,000	H1984	Prior to 11/93 w/ Original 39 Spline Input	DRK-217F
			H1984	Prior to 11/93 w/ New 46 Spline Input	DRK-4395
			H1984	After 11/93	DRK-4396
			K1987	Prior to 11/93	DRK-4405
			K1987	After 11/93	DRK-4406
			L1624	Prior to 11/93	DRK-4405
			L1624	After 11/93	DRK-4406
			P1888	Prior to 11/93	DRK-4405
			P1888	After 11/93	DRK-4406
			V1816	Prior to 11/93 w/ Original 39 Spline Input	DRK-217F
			V1816	Prior to 11/93 w/ New 46 Spline Input	DRK-4395
			V1816	After 11/93	DRK-4396
			W1817	Prior to 11/93	DRK-4405
			W1817	After 11/93	DRK-4406
			X1662	Prior to 11/93 w/ Original 39 Spline Input	DRK-217F
			X1662	Prior to 11/93 w/ New 46 Spline Input	DRK-4395
			X1662	After 11/93	DRK-4396
	MR-20-143	RR-20,000	All		DRK-4461
	MR-20-143M	RR-20,000	All		DRK-4461
RT-40-145		RT-40,000			
	RD-20-145	RF-20,000	B1978	Prior to 11/93 w/ Original 39 Spline Input	DRK-217F
			B1978	Prior to 11/93 w/ New 46 Spline Input	DRK-4395
			B1978	After 11/93	DRK-4396
			C1979	Prior to 11/93 w/ Original 39 Spline Input	DRK-217F
			C1979	Prior to 11/93 w/ New 46 Spline Input	DRK-4395
			C1979	After 11/93	DRK-4396
			E1903	Prior to 11/93	DRK-4405
			E1903	After 11/93	DRK-4406
			E1981	Prior to 11/93	DRK-4405
			E1981	After 11/93	DRK-4406
			F1852	Prior to 11/93 w/ Original 39 Spline Input	DRK-217F
			F1852	Prior to 11/93 w/ New 46 Spline Input	DRK-4395
			F1852	After 11/93	DRK-4396
			G1645	Prior to 11/93 w/ Original 39 Spline Input	DRK-217F
			G1645	Prior to 11/93 w/ New 46 Spline Input	DRK-4395
			G1645	After 11/93	DRK-4396
			M1677	Prior to 11/93	DRK-4405
			M1677	After 11/93	DRK-4406
			N1860	Prior to 11/93 w/ Original 39 Spline Input	DRK-217F
			N1860	Prior to 11/93 w/ New 46 Spline Input	DRK-4395
			N1860	After 11/93	DRK-4396
			R1890	Prior to 11/93	DRK-4405

Meritor/Rockwell Index

140, 141, 143, 144 & 145 Series Tandem Axles *Continued*

Axle Model	Sub Model	Type/Cap. #	Carriers	Notes	Kit		
RT-40-145	RD-20-145	RF-20,000	R1890	After 11/93	DRK-4406		
			S1917	Prior to 11/93 w/ Original 39 Spline Input	DRK-217F		
			S1917	Prior to 11/93 w/ New 46 Spline Input	DRK-4395		
			S1917	After 11/93	DRK-4396		
			T1814	Prior to 11/93 w/ Original 39 Spline Input	DRK-217F		
			T1814	Prior to 11/93 w/ New 46 Spline Input	DRK-4395		
			T1814	After 11/93	DRK-4396		
			U1815	Prior to 11/93	DRK-4405		
			U1815	After 11/93	DRK-4406		
			RP-20-145	RF-20,000	D1902	Prior to 11/93	DRK-4405
					D1902	After 11/93	DRK-4406
					G1853	Prior to 11/93 w/ Original 39 Spline Input	DRK-217F
					G1853	Prior to 11/93 w/ New 46 Spline Input	DRK-4395
					G1853	After 11/93	DRK-4396
					H1984	Prior to 11/93 w/ Original 39 Spline Input	DRK-217F
H1984	Prior to 11/93 w/ New 46 Spline Input	DRK-4395					
H1984	After 11/93	DRK-4396					
K1987	Prior to 11/93	DRK-4405					
K1987	After 11/93	DRK-4406					
L1624	Prior to 11/93	DRK-4405					
L1624	After 11/93	DRK-4406					
P1888	Prior to 11/93	DRK-4405					
P1888	After 11/93	DRK-4406					
V1816	Prior to 11/93 w/ Original 39 Spline Input	DRK-217F					
V1816	Prior to 11/93 w/ New 46 Spline Input	DRK-4395					
V1816	After 11/93	DRK-4396					
W1817	Prior to 11/93	DRK-4405					
W1817	After 11/93	DRK-4406					
X1662	Prior to 11/93 w/ Original 39 Spline Input	DRK-217F					
X1662	Prior to 11/93 w/ New 46 Spline Input	DRK-4395					
X1662	After 11/93	DRK-4396					
RR-20-145	RR-20,000	D1850		DRK-217R			
		E1851		DRK-217R			
		G1879		DRK-4390			
		L1676		DRK-217R			
		M1885		DRK-217R			
		Q1785		DRK-217R			
		S1865		DRK-217R			
		X1558		DRK-4390			
		RT-44-145	RD-22-145	RF-22,000	B1874	Prior to 11/93 w/ Original 39 Spline Input	DRK-217F
					B1874	Prior to 11/93 w/ New 46 Spline Input	DRK-4395
B1874	After 11/93				DRK-4396		
C1875	Prior to 11/93				DRK-4405		

Axle Model	Sub Model	Type/Cap. #	Carriers	Notes	Kit		
RT-44-145	RD-22-145	RF-22,000	C1875	After 11/93	DRK-4406		
			D1980	Prior to 11/93 w/ Original 39 Spline Input	DRK-217F		
			D1980	Prior to 11/93 w/ New 46 Spline Input	DRK-4395		
			D1980	After 11/93	DRK-4396		
			F1982	Prior to 11/93	DRK-4405		
			F1982	After 11/93	DRK-4406		
			G1905	Prior to 11/93	DRK-4405		
			G1905	After 11/93	DRK-4406		
			RP-22-145	RF-22,000	D1876	Prior to 11/93 w/ Original 39 Spline Input	DRK-217F
					D1876	Prior to 11/93 w/ New 46 Spline Input	DRK-4395
					D1876	After 11/93	DRK-4396
					E1877	Prior to 11/93	DRK-4405
					E1877	After 11/93	DRK-4406
					H1906	Prior to 11/93	DRK-4405
					H1906	After 11/93	DRK-4406
J1986	Prior to 11/93 w/ Original 39 Spline Input	DRK-217F					
J1986	Prior to 11/93 w/ New 46 Spline Input	DRK-4395					
J1986	After 11/93	DRK-4396					
M1911	Prior to 11/93	DRK-4405					
M1911	After 11/93	DRK-4406					
P1914	Prior to 11/93 w/ Original 39 Spline Input	DRK-217F					
P1914	Prior to 11/93 w/ New 46 Spline Input	DRK-4395					
P1914	After 11/93	DRK-4396					
T1918	Prior to 11/93	DRK-4405					
T1918	After 11/93	DRK-4406					
RR-22-145	RR-22,000	A1873		DRK-217R			
		F1904		DRK-4390			

160, 161 & 164 Series Single Axles

Axle Model	Sub Model	Type/Cap. #	Carriers	Notes	Kit
RS-20-160		R-20,000	A1821		DRK-4426
			C1511		DRK-4415
			C1823		DRK-4428
			D1928		DRK-4428
			E1825		DRK-4428
			E1929		DRK-4428
			H1854		DRK-4426
			J1856		DRK-4426
			P1706		DRK-4426
			R1708		DRK-4428
			T1658		DRK-4415
			T1892		DRK-4428
			V1660		DRK-4415
			V1712		DRK-4428
			Y1897		DRK-4428
			Z1560		DRK-4415

Meritor/Rockwell Index

160, 161 & 164 Series Single Axles *Continued*

Axle Model	Sub Model	Type/Cap. #	Carriers	Notes	Kit
RS-21-160	R-21,000	A1821			DRK-4426
		C1511			DRK-4415
		C1823			DRK-4428
		D1928			DRK-4428
		E1825			DRK-4428
		E1929			DRK-4428
		H1854			DRK-4426
		J1856			DRK-4426
		P1706			DRK-4426
		R1708			DRK-4428
		T1658			DRK-4415
		T1892			DRK-4428
		V1660			DRK-4415
		V1712			DRK-4428
		Y1897			DRK-4428
		Z1560			DRK-4415
		RC-23-160	R-23,000	A1821	
C1511					DRK-4415
C1823					DRK-4428
D1928					DRK-4428
E1825					DRK-4428
E1929					DRK-4428
H1854					DRK-4426
J1856					DRK-4426
P1706					DRK-4426
R1708					DRK-4428
T1658					DRK-4415
T1892					DRK-4428
V1660					DRK-4415
V1712					DRK-4428
Y1897					DRK-4428
Z1560					DRK-4415
RS-23-160	R-23,000			A1821	
		C1511			DRK-4415
		C1823			DRK-4428
		D1928			DRK-4428
		E1825			DRK-4428
		E1929			DRK-4428
		H1854			DRK-4426
		J1856			DRK-4426
		P1706			DRK-4426
		R1708			DRK-4428
		T1658			DRK-4415
		T1892			DRK-4428
		V1660			DRK-4415
		V1712			DRK-4428
		Y1897			DRK-4428
		Z1560			DRK-4415
		RS-23-161	R-23,000	A1821	
C1511					DRK-4415
C1823					DRK-4428
D1928					DRK-4428
E1825					DRK-4428
E1929					DRK-4428
H1854					DRK-4426
J1856					DRK-4426
P1706					DRK-4426
R1708					DRK-4428

Axle Model	Sub Model	Type/Cap. #	Carriers	Notes	Kit
RS-23-161	R-23,000	T1658			DRK-4415
		T1892			DRK-4428
		V1660			DRK-4415
		V1712			DRK-4428
		Y1897			DRK-4428
		Z1560			DRK-4415
RS-24-160	R-24,000	A1821			DRK-4426
		C1511			DRK-4415
		C1823			DRK-4428
		D1928			DRK-4428
		E1825			DRK-4428
		E1929			DRK-4428
		H1854			DRK-4426
		J1856			DRK-4426
		P1706			DRK-4426
		R1708			DRK-4428
		T1658			DRK-4415
		T1892			DRK-4428
		RS-25-160	R-25,000	A1821	
C1511					DRK-4415
C1823					DRK-4428
D1928					DRK-4428
E1825					DRK-4428
E1929					DRK-4428
H1854					DRK-4426
J1856					DRK-4426
P1706					DRK-4426
R1708					DRK-4428
T1658					DRK-4415
T1892					DRK-4428
RS-26-160	R-26,000			A1821	
		C1511			DRK-4415
		C1823			DRK-4428
		D1928			DRK-4428
		E1825			DRK-4428
		E1929			DRK-4428
		H1854			DRK-4426
		J1856			DRK-4426
		P1706			DRK-4426
		R1708			DRK-4428
		T1658			DRK-4415
		T1892			DRK-4428
		RS-23-161	R-23,000	V1660	
V1712					DRK-4428
Y1897					DRK-4428
Z1560					DRK-4415
T1658					DRK-4415
T1892					DRK-4428
RS-23-161	R-23,000	V1660			DRK-4415
		V1712			DRK-4428
		Y1897			DRK-4428
		Z1560			DRK-4415
		V1660			DRK-4415
		V1712			DRK-4428

Meritor/Rockwell Index

160, 161 & 164 Series Tandem Axles

Axle Model	Sub Model	Type/Cap. #	Carriers	Notes	Kit
RT-40-160		RT-40,000			
	RD-20-160	RF-20,000	J1648		DRK-4420
			J2116		DRK-4422
			K1857		DRK-4422
			L2118		DRK-4423
			M1703		DRK-4422
			P1628		DRK-4420
			Q1837		DRK-4422
			W1713		DRK-4423
			W1895		DRK-4423
			X1818		DRK-4422
			Y1819		DRK-4423
	RP-20-160	RF-20,000	K1701		DRK-4423
			K2117		DRK-4423
			V1894		DRK-4423
			Z1820		DRK-4423
	RR-20-160	RR-20,000	A1821		DRK-4426
			C1511		DRK-4415
			C1823		DRK-4428
			D1928		DRK-4428
			E1825		DRK-4428
			E1929		DRK-4428
			H1854		DRK-4426
			J1856		DRK-4426
			P1706		DRK-4426
			R1708		DRK-4428
			T1658		DRK-4415
			T1892		DRK-4428
			V1660		DRK-4415
			V1712		DRK-4428
			Y1897		DRK-4428
			Z1560		DRK-4415
RT-46-160		RT-46,000			
	RD-23-160	RF-23,000	J1648		DRK-4420
			J2116		DRK-4422
			K1857		DRK-4422
			L2118		DRK-4423
			M1703		DRK-4422
			P1628		DRK-4420
			Q1837		DRK-4422
			W1713		DRK-4423
			W1895		DRK-4423
			X1818		DRK-4422
			Y1819		DRK-4423
	RP-23-160	RF-23,000	K1701		DRK-4423
			K2117		DRK-4423
			V1894		DRK-4423
			Z1820		DRK-4423
	RR-23-160	RR-23,000	A1821		DRK-4426
			C1511		DRK-4415
			C1823		DRK-4428
			D1928		DRK-4428
			E1825		DRK-4428
			E1929		DRK-4428
			H1854		DRK-4426
			J1856		DRK-4426
			P1706		DRK-4426
			R1708		DRK-4428
			T1658		DRK-4415
			T1892		DRK-4428
			V1660		DRK-4415
			V1712		DRK-4428
			Y1897		DRK-4428
			Z1560		DRK-4415

Axle Model	Sub Model	Type/Cap. #	Carriers	Notes	Kit
RT-46-160	RR-23-160	RR-23,000	T1658		DRK-4415
			T1892		DRK-4428
			V1660		DRK-4415
			V1712		DRK-4428
			Y1897		DRK-4428
			Z1560		DRK-4415
RT-46-164		RT-46,000			
	RD-23-164	RF-23,000	J1648		DRK-4420
			J2116		DRK-4422
			K1857		DRK-4422
			L2118		DRK-4423
			M1703		DRK-4422
			P1628		DRK-4420
			Q1837		DRK-4422
			W1713		DRK-4423
			W1895		DRK-4423
			X1818		DRK-4422
			Y1819		DRK-4423
	RP-23-164	RF-23,000	K1701		DRK-4423
			K2117		DRK-4423
			V1894		DRK-4423
			Z1820		DRK-4423
	RR-23-164	RR-23,000	A1821		DRK-4426
			C1511		DRK-4415
			C1823		DRK-4428
			D1928		DRK-4428
			E1825		DRK-4428
			E1929		DRK-4428
			H1854		DRK-4426
			J1856		DRK-4426
			P1706		DRK-4426
			R1708		DRK-4428
			T1658		DRK-4415
			T1892		DRK-4428
			V1660		DRK-4415
			V1712		DRK-4428
			Y1897		DRK-4428
			Z1560		DRK-4415
RT-50-160		RT-50,000			
	RD-25-160	RF-25,000	J1648		DRK-4420
			J2116		DRK-4422
			K1857		DRK-4422
			L2118		DRK-4423
			M1703		DRK-4422
			P1628		DRK-4420
			Q1837		DRK-4422
			W1713		DRK-4423
			W1895		DRK-4423
			X1818		DRK-4422
			Y1819		DRK-4423
	RP-25-160	RF-25,000	K1701		DRK-4423
			K2117		DRK-4423
			V1894		DRK-4423
			Z1820		DRK-4423
	RR-25-160	RR-25,000	A1821		DRK-4426
			C1511		DRK-4415
			C1823		DRK-4428
			D1928		DRK-4428

Meritor/Rockwell Index

160, 161 & 164 Series Tandem Axles *Continued*

Axle Model	Sub Model	Type/Cap. #	Carriers	Notes	Kit		
RT-50-160	RR-25-160	RR-25,000	E1825		DRK-4428		
			E1929		DRK-4428		
			H1854		DRK-4426		
			J1856		DRK-4426		
			P1706		DRK-4426		
			R1708		DRK-4428		
			T1658		DRK-4415		
			T1892		DRK-4428		
			V1660		DRK-4415		
			V1712		DRK-4428		
			Y1897		DRK-4428		
			Z1560		DRK-4415		
			RT-50-164	RD-25-164	RF-25,000	J1648	
J2116		DRK-4422					
K1857		DRK-4422					
L2118		DRK-4423					
M1703		DRK-4422					
P1628		DRK-4420					
Q1837		DRK-4422					
W1713		DRK-4423					
W1895		DRK-4423					
X1818		DRK-4422					
Y1819		DRK-4423					
RP-25-164	RF-25,000	K1701					DRK-4423
		K2117					DRK-4423
		V1894		DRK-4423			
		Z1820		DRK-4423			
		RR-25-164	RR-25,000	A1821		DRK-4426	
C1511				DRK-4415			
C1823				DRK-4428			
D1928				DRK-4428			
E1825				DRK-4428			
E1929				DRK-4428			
H1854				DRK-4426			
J1856				DRK-4426			
P1706				DRK-4426			
R1708				DRK-4428			
T1658				DRK-4415			
T1892				DRK-4428			
V1660				DRK-4415			
V1712		DRK-4428					
Y1897		DRK-4428					
Z1560		DRK-4415					
RT-52-160	RD-26-160	RF-26,000	J1648		DRK-4420		
			J2116		DRK-4422		
			K1857		DRK-4422		
			L2118		DRK-4423		
			M1703		DRK-4422		
			P1628		DRK-4420		
			Q1837		DRK-4422		
			W1713		DRK-4423		
			W1895		DRK-4423		
			X1818		DRK-4422		
			Y1819		DRK-4423		

Axle Model	Sub Model	Type/Cap. #	Carriers	Notes	Kit		
RT-52-160	RP-26-160	RF-26,000	K1701		DRK-4423		
			K2117		DRK-4423		
			V1894		DRK-4423		
			Z1820		DRK-4423		
			RR-26-160	RR-26,000	A1821		DRK-4426
					C1511		DRK-4415
					C1823		DRK-4428
					D1928		DRK-4428
					E1825		DRK-4428
					E1929		DRK-4428
					H1854		DRK-4426
					J1856		DRK-4426
					P1706		DRK-4426
R1708		DRK-4428					
T1658		DRK-4415					
T1892		DRK-4428					
V1660		DRK-4415					
V1712		DRK-4428					
Y1897		DRK-4428					
Z1560		DRK-4415					
RT-52-164	RD-26-164	RF-26,000	J1648		DRK-4420		
			J2116		DRK-4422		
			K1857		DRK-4422		
			L2118		DRK-4423		
			M1703		DRK-4422		
			P1628		DRK-4420		
			Q1837		DRK-4422		
			W1713		DRK-4423		
			W1895		DRK-4423		
			X1818		DRK-4422		
			Y1819		DRK-4423		
			RP-26-164	RF-26,000	K1701		DRK-4423
					K2117		DRK-4423
V1894		DRK-4423					
Z1820		DRK-4423					
RR-26-164	RR-26,000	A1821				DRK-4426	
		C1511		DRK-4415			
		C1823		DRK-4428			
		D1928		DRK-4428			
		E1825		DRK-4428			
		E1929		DRK-4428			
		H1854		DRK-4426			
		J1856		DRK-4426			
		P1706		DRK-4426			
		R1708		DRK-4428			
		T1658		DRK-4415			
		T1892		DRK-4428			
		V1660		DRK-4415			
V1712		DRK-4428					
Y1897		DRK-4428					
Z1560		DRK-4415					

Meritor/Rockwell Index

180, 185 & 380 Series Tandem Axles *Continued*

Axle Model	Sub Model	Type/Cap. #	Carriers	Notes	Kit
RT-48-380		RT-48,000			
	RP-24-380	RF-24,000	All		DRK-4440
	RR-24-380	RR-24,000	M1625	All Ratios	DRK-4450
			M1833	6.83, 7.17, 7.40 & 7.83 Ratios	DRK-4442
			M1833	All Other Ratios	DRK-4441
RT-52-180		RT-52,000			
	RP-26-180	RF-26,000	M1625	All Ratios	DRK-4440
			M1833	6.83, 7.17, 7.40 & 7.83 Ratios	DRK-4442
			M1833	All Other Ratios	DRK-4441
	RR-26-180	RR-26,000	A1899	6.83, 7.17, 7.40 & 7.83 Ratios	DRK-4438
			A1899	All Other Ratios	DRK-4437
			C1381	6.83, 7.17, 7.40 & 7.83 Ratios	DRK-4436
			C1381	All Other Ratios	DRK-4435
			J1804	6.83, 7.17, 7.40 & 7.83 Ratios	DRK-4438
			J1804	All Other Ratios	DRK-4437
			U1399	6.83, 7.17, 7.40 & 7.83 Ratios	DRK-4436
			U1399	All Other Ratios	DRK-4435
			W1791	6.83, 7.17, 7.40 & 7.83 Ratios	DRK-4438
			W1791	All Other Ratios	DRK-4437
RT-52-185		RT-52,000			
	RP-26-185	RF-26,000	M1625	All Ratios	DRK-4440
			M1833	6.83, 7.17, 7.40 & 7.83 Ratios	DRK-4442
			M1833	All Other Ratios	DRK-4441
	RR-26-185	RR-26,000	A1899	6.83, 7.17, 7.40 & 7.83 Ratios	DRK-4438
			A1899	All Other Ratios	DRK-4437
			C1381	6.83, 7.17, 7.40 & 7.83 Ratios	DRK-4436
			C1381	All Other Ratios	DRK-4435
			J1804	6.83, 7.17, 7.40 & 7.83 Ratios	DRK-4438
			J1804	All Other Ratios	DRK-4437
			U1399	6.83, 7.17, 7.40 & 7.83 Ratios	DRK-4436
			U1399	All Other Ratios	DRK-4435
			W1791	6.83, 7.17, 7.40 & 7.83 Ratios	DRK-4438
			W1791	All Other Ratios	DRK-4437
RT-52-380		RT-52,000			
	RP-26-380	RF-26,000	All		DRK-4440
	RR-26-380	RR-26,000	M1625	All Ratios	DRK-4450
			M1833	6.83, 7.17, 7.40 & 7.83 Ratios	DRK-4442
			M1833	All Other Ratios	DRK-4441
RT-58-180		RT-58,000			
	RP-29-180	RF-29,000	M1625	All Ratios	DRK-4440
			M1833	6.83, 7.17, 7.40 & 7.83 Ratios	DRK-4442
			M1833	All Other Ratios	DRK-4441
	RR-29-180	RR-29,000	A1899	6.83, 7.17, 7.40 & 7.83 Ratios	DRK-4438
			A1899	All Other Ratios	DRK-4437
			C1381	6.83, 7.17, 7.40 & 7.83 Ratios	DRK-4436
			C1381	All Other Ratios	DRK-4435
			J1804	6.83, 7.17, 7.40 & 7.83 Ratios	DRK-4438
			J1804	All Other Ratios	DRK-4437
			U1399	6.83, 7.17, 7.40 & 7.83 Ratios	DRK-4436
			U1399	All Other Ratios	DRK-4435
			W1791	6.83, 7.17, 7.40 & 7.83 Ratios	DRK-4438
			W1791	All Other Ratios	DRK-4437
RT-58-185		RT-58,000			
	RP-29-185	RF-29,000	M1625	All Ratios	DRK-4440
			M1833	6.83, 7.17, 7.40 & 7.83 Ratios	DRK-4442

Axle Model	Sub Model	Type/Cap. #	Carriers	Notes	Kit
RT-70-380		RT-70,000			
	RP-35-380	RF-35,000	M1625	All Ratios	DRK-4440
			M1833	6.83, 7.17, 7.40 & 7.83 Ratios	DRK-4442
			M1833	All Other Ratios	DRK-4441
	RR-35-380	RR-35,000	M1625	All Ratios	DRK-4440
			M1833	6.83, 7.17, 7.40 & 7.83 Ratios	DRK-4442
			M1833	All Other Ratios	DRK-4441
	RR-35-380	RR-35,000	M1625	All Ratios	DRK-4440
			M1833	6.83, 7.17, 7.40 & 7.83 Ratios	DRK-4442
			M1833	All Other Ratios	DRK-4441

210, 220, 224, 230 & 240 Series Single Axles

Axle Model	Sub Model	Type/Cap. #	Carriers	Notes	Kit
RS-15-210		R-15,000	All		DRK-4360
RS-15-220		R-15,000	All		DRK-216
RS-17-220		R-17,000	All		DRK-216
RS-17-224		R-17,000	All		DRK-216
RS-19-220		R-19,000	All		DRK-216
RS-19-224		R-19,000	All		DRK-216
RS-21-230		R-21,000	All		DRK-225
RS-23-240		R-23,000	All		DRK-4375

Out of Production Single Reduction Axles – Single

Axle Model	Sub Model	Type/Cap. #	Carriers	Notes	Kit
59722					DRK-2108
59723					DRK-2108
59733					DRK-2108
C100					DRK-2111
C102					DRK-2111
C103					DRK-2111
D140		R-13,000	A1093	Prior to 1985	DRK-4290
			A1093	Prior to 1985	DRK-4295
			A1093	After 1985	DRK-4300
			R1110	After 1985	DRK-4300
F105		R-15,000			DRK-4315
F106		R-15,000			DRK-4315
F140		R-15,000			DRK-4310
F145		R-15,000			DRK-4310
F146		R-15,000			DRK-4310
F147		R-15,000			DRK-4310
F149		R-15,000			DRK-4310
H120		R-17,000		3.55 - 4.63 Ratios	DRK-9RC
				Ratios above 4.63	DRK-9RB
				1-3/16" Pinion Brg and Ratios above 4.63	DRK-9R
H140		R-17,000			DRK-1918
H170		R-17,000			DRK-4325
H172		R-17,000			DRK-4330
H173		R-17,000			DRK-4330
L100		R-18,500		3.55 - 4.63 Ratios	DRK-9RC
				Ratios above 4.63	DRK-9RB
				1-3/16" Pinion Brg and Ratios above 4.63	DRK-9R
L100A		R-18,500		3.55 - 4.63 Ratios	DRK-9RC

Meritor/Rockwell Index

Out of Production Single Reduction Axles – Single Continued

Axle Model	Sub Model	Type/Cap. #	Carriers	Notes	Kit
L100A		R-18,500		Ratios above 4.63 1-3/16" Pinion Brg and Ratios above 4.63	DRK-9RB DRK-9R
L101		R-18,500		3.55 - 4.63 Ratios Ratios above 4.63 1-3/16" Pinion Brg and Ratios above 4.63	DRK-9RC DRK-9RB DRK-9R
L110		R-18,500		3.55 - 4.63 Ratios Ratios above 4.63 1-3/16" Pinion Brg and Ratios above 4.63	DRK-9RC DRK-9RB DRK-9R
L110A		R-18,500		3.55 - 4.63 Ratios Ratios above 4.63 1-3/16" Pinion Brg and Ratios above 4.63	DRK-9RC DRK-9RB DRK-9R
L140		R-18,500			DRK-1926
L145		R-18,500			DRK-1926
L172		R-18,500			DRK-4330
L173		R-18,500			DRK-4330
P174		R-20,000			DRK-4330
PL143		R-18,500			DRK-172R
QT140		R-22,000			DRK-600
QT143		R-22,000			DRK-600
QT145		R-22,000			DRK-600
QT148		R-22,000			DRK-600
R100		R-23,000			DRK-172R
R100A		R-23,000			DRK-172R
R110		R-23,000			DRK-172R
R110A		R-23,000			DRK-172R
R112		R-23,000			DRK-172R
R113		R-23,000			DRK-172R
R114		R-23,000			DRK-172R
R115		R-23,000			DRK-172R
R120		R-23,000			DRK-172R
R140		R-23,000			DRK-172R
R141		R-23,000			DRK-172R
R143		R-23,000			DRK-172R
R155		R-23,000			DRK-172R
R162		R-23,000	A1431		DRK-1984
R162		R-23,000	C679		DRK-1984
R162		R-23,000	Z1430		DRK-1984
R162		R-23,000	Z806		DRK-1984
R164		R-23,000	A1431		DRK-1984
R164		R-23,000	C679		DRK-1984
R164		R-23,000	Z1430		DRK-1984
R164		R-23,000	Z806		DRK-1984
R170		R-23,000		Prior to 12/1/83 Exc. 7.40 Ratio Prior to 12/1/83 7.40 Ratio 12/1/83 & Later Exc. 7.40 Ratio	DRK-50 DRK-4130 DRK-4150
R171		R-23,000			DRK-50A
R173		R-23,000			DRK-50A
R200		R-23,000		Old Style	DRK-1925
R200		R-23,000		New Style	DRK-1925A
RL170		R-20,000		Prior to 12/1/83 Exc. 7.40 Ratio Prior to 12/1/83 7.40 Ratio 12/1/83 & Later Exc. 7.40 Ratio	DRK-50 DRK-4130 DRK-4150
RT140		R-23,000			DRK-172R
S162		R-23,000	A1431		DRK-1984

Axle Model	Sub Model	Type/Cap. #	Carriers	Notes	Kit
S162		R-23,000	C679		DRK-1984
S162		R-23,000	Z1430		DRK-1984
S162		R-23,000	Z806		DRK-1984
S170		R-26,000		Prior to 12/1/83 Exc. 7.40 Ratio Prior to 12/1/83 7.40 Ratio 12/1/83 & Later Exc. 7.40 Ratio	DRK-50 DRK-4130 DRK-4150
U140		R-23,000			DRK-172R
U240		R-29,000		Old Style	DRK-1925
U240		R-29,000		New Style	DRK-1925A
U340		R-29,000		Old Style	DRK-1925
U340		R-29,000		New Style	DRK-1925A
W170		R-36-38,000			DRK-50

Out of Production Single Reduction Axles – Tandem

SL/SQ-100 Series

Axle Model	Sub Model	Type/Cap. #	Carriers	Notes	Kit
SL100		RT-34,000			
	LD100	RF-17,000			DRK-194F
	LR100	RR-17,000			DRK-194RB
SL100P		RT-34,000			
	LP100	RF-17,000			DRK-194F
	LR100	RR-17,000			DRK-194RB
SQ100		RT-38-40,000			
	QD100	RF-19-20,000			DRK-194F
	QR100	RR-19-20,000			DRK-194RB
SQ100P		RT-38-40,000			
	QP100	RF-19-20,000			DRK-194F
	QR100	RR-19-20,000			DRK-194RB
SQR100		RT-44,000			
	QRD100	RF-22,000			DRK-194F
	QRR100	RR-22,000			DRK-194RB
SQR100P		RT-44,000			
	QRP100	RF-22,000			DRK-194F
	QRR100	RR-22,000			DRK-194RB
SR170		RT-46-48,000			
	R170	RF-23-24,000	3200L1234		DRK-204R
			G1255	7.40 Ratio Only	DRK-4125
			G1255	All ratios Exc. 7.40	DRK-203F
			M1625	7.40 Ratio Only	DRK-4145
			M1625	All ratios Exc. 7.40	DRK-4140
			X1324	All ratios Exc. 7.40	DRK-4135
	R170R	RR-23-24,000		7.40 Ratio Only All ratios Exc. 7.40	DRK-4130 DRK-50
SU170		RT-58,000			
	U170	RF-29,000	G1255	7.40 Ratio Only	DRK-4125
			G1255	All ratios Exc. 7.40	DRK-203F
			M1625	7.40 Ratio Only	DRK-4145
			M1625	All ratios Exc. 7.40	DRK-4140
			X1324	All ratios Exc. 7.40	DRK-4135
	U170R	RR-29,000		7.40 Ratio Only All ratios Exc. 7.40	DRK-4130 DRK-50
SW170		RT-70,000			
	W170	RF-35,000	G1255	7.40 Ratio Only	DRK-4125
			G1255	All ratios Exc. 7.40	DRK-203F
			J1076	7.40 Ratio Only	DRK-4125

Meritor/Rockwell Index

Out of Production Single Reduction Axles – Tandem Continued

SL/SQ-100 Series

Axle Model	Sub Model	Type/Cap. #	Carriers	Notes	Kit
SW170	W170	RF-35,000	J1076	All ratios Exc. 7.40	DRK-203F
			M1625	7.40 Ratio Only	DRK-4145
			M1625	All ratios Exc. 7.40	DRK-4140
			X1324	All ratios Exc. 7.40	DRK-4135
	W170R	RR-35,000		7.40 Ratio Only	DRK-4130
				All ratios Exc. 7.40	DRK-50

Out of Production Single Reduction Axles – Tandem

SL/SQ/SS/ST/SUHD Series

Axle Model	Sub Model	Type/Cap. #	Carriers	Notes	Kit
SLHD	LHD	RT-34,000			
		RF-17,000		3.55 - 4.63 Ratios	DRK-900F
				3.55 - 4.63 Ratios Complete Kit	DRK-900FA
				1-3/16" Pinion Brg and Ratios above 4.63	DRK-9F
	LHR	RR-17,000		3.55 - 4.63 Ratios	DRK-9RC
				Ratios above 4.63	DRK-9RB
				1-3/16" Pinion Brg and Ratios above 4.63	DRK-9R
SQHD	QHD	RT-38-40,000			
		RF-19-20,000		3.55 - 4.63 Ratios	DRK-900F
				3.55 - 4.63 Ratios Complete Kit	DRK-900FA
				1-3/16" Pinion Brg and Ratios above 4.63	DRK-9F
	QHR	RR-19-20,000		3.55 - 4.63 Ratios	DRK-9RC
				Ratios above 4.63	DRK-9RB
				1-3/16" Pinion Brg and Ratios above 4.63	DRK-9R
SQHP	QHP	RT-38-40,000			
		RF-19-20,000			DRK-194F
	QAR	RR-19-20,000			DRK-194RA
				Original Design w/ 2" Diameter Pinion Spline	DRK-194R
SSHD	SHD	RT-46,000			
		RF-23,000		Ball Bearing Input & Output Shaft	DRK-172F
				Ball Bearing Input & Output Shaft w/ Involute Splines	DRK-172FA
				Taper Bearing Input & Ball Bearing Output Shaft	DRK-4100
				Taper Bearing Input & Output Shaft	DRK-172FB
				Taper Bearing Input & Output Shaft w/ Upgraded o/s seal	DRK-4095
	SHR	RR-23,000		Early Style Seal	DRK-172R
				Late Style Seal	DRK-4105
SSHP	SHP	RT-46,000			
		RF-23,000		Ball Bearing Input & Output Shaft	DRK-172F
				Ball Bearing Input & Output Shaft w/ Involute Splines	DRK-172FA
				Taper Bearing Input & Ball Bearing Output Shaft	DRK-4100
				Taper Bearing Input & Output Shaft	DRK-172FB

Out of Production Single Reduction Axles – Tandem Continued

SL/SQ/SS/ST/SUHD Series

Axle Model	Sub Model	Type/Cap. #	Carriers	Notes	Kit
SSHHP	SHP	RF-23,000		Taper Bearing Input & Output Shaft w/ Upgraded o/s seal	DRK-4095
			SHR	RR-23,000	Early Style Seal
				Late Style Seal	DRK-4105
STHD	THD	RT-50,000			
		RF-25,000		Ball Bearing Input & Output Shaft	DRK-172F
				Ball Bearing Input & Output Shaft w/ Involute Splines	DRK-172FA
				Taper Bearing Input & Ball Bearing Output Shaft	DRK-4100
				Taper Bearing Input & Output Shaft	DRK-172FB
				Taper Bearing Input & Output Shaft w/ Upgraded o/s seal	DRK-4095
				Early Style Seal	DRK-4095
				Late Style Seal	DRK-4105
SUHD	UHD	RT-58,000			
		RF-29,000		Ball Bearing Input & Output Shaft	DRK-172F
				Ball Bearing Input & Output Shaft w/ Involute Splines	DRK-172FA
				Taper Bearing Input & Ball Bearing Output Shaft	DRK-4100
				Taper Bearing Input & Output Shaft	DRK-172FB
				Taper Bearing Input & Output Shaft w/ Upgraded o/s seal	DRK-4095
				Early Style Seal	DRK-172R
				Late Style Seal	DRK-4105
SR270	R270	RT-46-48,000			
		RF-23-24,000	G1255	7.40 Ratio Only	DRK-4125
			G1255	All ratios Exc. 7.40	DRK-203F
			J1076	7.40 Ratio Only	DRK-4125
			J1076	All ratios Exc. 7.40	DRK-203F
			M1625	7.40 Ratio Only	DRK-4145
			M1625	All ratios Exc. 7.40	DRK-4140
			X1324	All ratios Exc. 7.40	DRK-4135
	R270R	RR-23-24,000	M1625	7.40 Ratio Only	DRK-4155A
			M1625	All ratios Exc. 7.40	DRK-4155
SR280	R280	RT-46-48,000			
		RF-23-24,000	G1255	7.40 Ratio Only	DRK-4125
			G1255	All ratios Exc. 7.40	DRK-203F
			J1076	7.40 Ratio Only	DRK-4125
			J1076	All ratios Exc. 7.40	DRK-203F
			M1625	7.40 Ratio Only	DRK-4145
			M1625	All ratios Exc. 7.40	DRK-4140
			X1324	All ratios Exc. 7.40	DRK-4135
	R280R	RR-23-24,000	M1625	7.40 Ratio Only	DRK-4155A
			M1625	All ratios Exc. 7.40	DRK-4155
SU270	U270	RT-58,000			
		RF-29,000	G1255	7.40 Ratio Only	DRK-4125
			G1255	All ratios Exc. 7.40	DRK-203F
			J1076	7.40 Ratio Only	DRK-4125
			J1076	All ratios Exc. 7.40	DRK-203F
			M1625	7.40 Ratio Only	DRK-4145
			M1625	All ratios Exc. 7.40	DRK-4140

Meritor/Rockwell Index

Out of Production Single Reduction Axles – Tandem *Continued*

SL/SQ/SS/ST/SUHD Series

Axle Model	Sub Model	Type/Cap. #	Carriers	Notes	Kit		
SU270	U270	RF-29,000	X1324	All ratios Exc. 7.40	DRK-4135		
	U270R	RR-29,000	M1625	7.40 Ratio Only	DRK-4155A		
			M1625	All ratios Exc. 7.40	DRK-4155		
SU280	U280	RF-29,000	G1255	7.40 Ratio Only	DRK-4125		
			G1255	All ratios Exc. 7.40	DRK-203F		
			J1076	7.40 Ratio Only	DRK-4125		
			J1076	All ratios Exc. 7.40	DRK-203F		
			M1625	7.40 Ratio Only	DRK-4145		
			M1625	All ratios Exc. 7.40	DRK-4140		
			X1324	All ratios Exc. 7.40	DRK-4135		
			U280R	RR-29,000	M1625	7.40 Ratio Only	DRK-4155A
					M1625	All ratios Exc. 7.40	DRK-4155
	SW270	W270	RF-35,000	G1255	7.40 Ratio Only	DRK-4125	
				G1255	All ratios Exc. 7.40	DRK-203F	
				J1076	7.40 Ratio Only	DRK-4125	
				J1076	All ratios Exc. 7.40	DRK-203F	
				M1625	7.40 Ratio Only	DRK-4145	
				M1625	All ratios Exc. 7.40	DRK-4140	
W270R		RR-35,000	X1324	All ratios Exc. 7.40	DRK-4135		
			M1625	7.40 Ratio Only	DRK-4155A		
			M1625	All ratios Exc. 7.40	DRK-4155		
SW280	W280	RF-35,000	G1255	7.40 Ratio Only	DRK-4125		
			G1255	All ratios Exc. 7.40	DRK-203F		
			J1076	7.40 Ratio Only	DRK-4125		
			J1076	All ratios Exc. 7.40	DRK-203F		
			M1625	7.40 Ratio Only	DRK-4145		
			M1625	All ratios Exc. 7.40	DRK-4140		
	W280R	RR-35,000	X1324	All ratios Exc. 7.40	DRK-4135		
			M1625	7.40 Ratio Only	DRK-4155A		
			M1625	All ratios Exc. 7.40	DRK-4155		

Out of Production Double Reduction Axles

SF/SQ/SR/ST/SUDD Series

Axle Model	Sub Model	Type/Cap. #	Carriers	Notes	Kit				
SFDD4640	FDD	RT-65,000	3200C1225	3800F604	DRK-4260				
					DRK-4255				
			FDR	3200C1225	3800F604	DRK-4270			
						DRK-1910			
SQDD	QDD	RT-38,000 RF-19,000	3800E473	3800H554	DRK-4180				
					DRK-4180				
					QDR	RR-19,000	3800E759	DRK-11R	
			3800K557	DRK-11R					
			SRDD	RDD	RT-44,000 RF-22,000	3200D1226	3800A755	DRK-4220	
DRK-11FA									
SRDD	RDR	RR-22,000				3800H554	DRK-11FA		
						3200D1226	DRK-4190		
STDD	TDD	RT-50,000 RF-25,000	3200D1226	3800D758	DRK-11R				
					DRK-11R				
			TDR	RR-25,000	3800E473	DRK-11R			
					3800H554	DRK-11R			
			SUDD	UDD	RT-58,000 RF-29,000	3200E1227	3800G579	DRK-4240	
								DRK-204F	
								DRK-4245	
						UDR	RR-29,000	3800G579	DRK-4240

Volvo Index

Axle Model	Type/Cap. #	Comments	Kit
EV-80	Front		DRK-801
EV-80	Rear		DRK-802
EV-87	Front		DRK-801
EV-87	Rear		DRK-802

White Index

Axle Model	Type/Cap. #	Comments	Kit
124C	R-21,000		DRK-111
134C	R-23,000		DRK-111



NoSPIN[®]

Heavy Duty Application List

January 1, 2004

Axle Description	Carrier	Axle Shaft Dia. (2)	# Splines	NoSpin Model Number (1)	Axle Description	Carrier	Axle Shaft Dia. (2)	# Splines	NoSpin Model Number (1)
DANA					Planetary Axles				
Single Rear Axles									
70HD, 70-2U					19060P		2.00"	39	276S-63
4.10 & down gear ratios		1.50"	35	(3) 225SL-58B	21065P, 22065P		2.10"	41	306S-109
4.56 & up gear ratios				(3) 225SL-58A	23080P, 26080P,		2.31"	36	350S-88
80		1.62"	37	225SL-105A	30055P, 35055P				
		1.50"	35	225SL-131A	PR/PS-1200		1.64"	10	250S-34
D135-S		1.55"	36	250S-99			1.64"	32	250S-12
F155-S		1.55"	36	250S-98	PR/PS-1300, 1350, 33R/S40		1.85"	36	250S-99
F170-S		1.55"	36	250S-98	PR-1800		1.75"	19	250S-20
G155-T		1.55"	36	275S-26	PR/PS-7028		1.50"	35	225S-18
G175-S, T, D		1.55"	36	275S-26					
G185-S, D, G190-S		2.00"	39	275S-32	171, 19R		1.16"	13	187S-83
J175-S		1.85"	36	306S-99	172, 22R		1.38"	8	187S-70
J190-S, J210-S, J380-S		2.00"	39	306S-98	<i>See notes on last page.</i>				
J220-S		2.10"	41	306S-100	12D/Sxxxx, 31R38 1230		1.67"	39	225S-102
M185-S, M190-S, T, D		2.00"	39	306S-101	14Txxx 1391		2.00"	39	250S-167
M210-T		2.00"	39	306S-101	14F/D/S/Txxxx, 35R68 1390		2.00"	39	250S-67
M220-S, T, D, M230-T		2.10"	41	306S-117	15Dxxxx 1530		2.00"	39	275S-22
N175-S		1.85"	36	306S-99					
N190-S, N210-S		2.00"	39	306S-98	16D/F/S/Txxxx 1640		2.10"	42	306S-166
S135-S/150-S, 4.63-5.38 gear ratios		1.85"	36	250S-166	42R/F/S/Txxx		2.31"	27 (7)	306S-46
NS/230-S/NS		2.35"	46	350S-106	19D/Txxxx 1850		2.65"	52	350S-21
W230-S		2.35"	46	350S-73	48R/Txxx		2.50"	49	350S-44
15131		1.75"	34	250S-100			2.70"	26	350S-46
16131		1.85"	36	250S-109			2.52"	24	350S-10
17060 S/A, 19060 S/A/T		2.00"	39	275S-63	21Dxxx, 53Rxxx 2050 Conv. Dif.		2.65"	52	450S-133
17131/431		2.00"	39	306S-108	L.S. dif.		2.65"	52	450S-126
21060 S/A, 22060 S/A		2.10"	41	275S-66	PR 1300, 33R40,		1.85"	36	250S-99
21065T, 22065T		2.10"	41	306S-109	PS 1350, 33S40				
21080 S, 22080 S, 23080 S		2.31"	36	350S-86	PR/S-1200		1.64"	10	250S-34
21090 S/A, 23090 S/A		2.31"	36	350S-86	PR-1800		1.75"	19	250S-20
21131/431, 22131/431		2.10"	41	306S-109	PR/S-7028		1.50"	35	225S-18
23080T, 26080T		2.31"	36	350S-88	<i>Service Only</i>				
23105 S/A		2.31"	36	350S-50	D/DS-12/17xxx 1390		2.00"	39	250S-67
23131/431		2.31"	36	306S-110			1.93"	16	250S-14
S-260-SB		2.31"	36	306S-110	D/DS-18/19xxx 1530		2.00"	39	275S-22
26090 S/A		2.31"	36	306S-110			2.06"	24	275S-17
26105 S/A		2.31"	39	350S-40	D/DS-22/23xxx 1640		2.35"	46	306S-73
26131/431		2.31"	36	306S-110	BD-71/91/101xxx		2.31"	27 (7)	306S-46
30105S		2.50"	39	350S-40	D/DS-13xxx 1230		1.67"	39	225S-48
30131/431		2.31"	36	350S-88	D/DS-26/37xxx 1850		2.70"	26	350S-46
							2.52"	24	350S-10
					D/DS-34/75xxx 2050		2.70"	26	450S-125
					Conv. dif.		2.65"	52	450S-133
					L.S. dif.		2.65"	52	450S-126
					D/DS-64/85xxx2500		3.20"	63	550S-34
					D60/65/66,31R/27R		1.59"	10	250S-86
					D80/85		1.93"	16	250S-79
					D90, 39R		2.08"	24	306S-72
					D100		2.22"	26	350S-43
Tandem Axles									
S135, S150, 4.63-5.38 gear ratios		1.85"	36	250S-166					
S230		2.35"	46	350S-106					
G340-S, J340-S, N340-S		2.00"	39	306S-98					
G380-S, J380-S, G400-S,		2.10"	41	306S-100					
J400-S, N-400-S, S400-S									
W440/460-S, (M460-S),									
W230-S/TR-4670		2.35"	46	350S-73					
DS/A 344		2.00"	39	275S-63					
DS 400, DT 401, 451		2.13"	33	306S-56					
D/T 403, DS/A 404, 405, DSS 40		2.10"	41	275S-66					
DP/T 402, 4026, 451		2.10"	41	306S-109					
DS/A 454		2.10"	41	275S-66					
DT460		2.31"	36	306S-110					
		2.30"	22	306S-39					
DS 461 462, 463, 521, 581		2.31"	36	350S-47					
DP/T 461, 463, 521,									
580, 601, 650, 651		2.31"	36	350S-88					

Tractech No Spin Differentials

Axle Description	Carrier	Axle Shaft Dia. (2) # Splines	NoSpin Model Number (1)
DEERE			
Series 1 444/A/B/C/D, 544A, 644A		2.06" 18	306S-60
Series 2 544/B/C/D, 740, 762		2.08" 32	306S-61
Series 3 644/B/C/D, 646 C		2.30" 22	306S-62
1100/1200		2.05" 22	306S-148
1200 544E Front		1.50" 23	225S-80
1400 624/644E Front		2.06" 18	306S-167
1600 744E Front		2.33" 22	306S-149
		2.33" 22	306S-173

EATON Single Rear Axles

13101, 13107, 13802, 15040S/T/P		1.75" 34	250S-100
15101, 15107, 15201		1.87" 16	250S-37
15301		1.75" 19	250S-20
16120, 16121, 16221, 16244		1.85" 36	250S-109
16344		1.88" 16 (a)	250S-44
		1.88" 16 (b)	250S-45
(a) tapered spline (b) parallel spline			
16247		1.80" 30	250S-39
17060, 19060		2.00" 39	275S-63
17101, 17121, 17201, 17221, 17301, 17321, 17401*, 17421*		2.00" 39	306S-108
17201 (Mack)		1.98" 16	306S-21
18101, 18121, 18201, 18221, 18301		2.12" 33	306S-56
18127 (Mack)		2.10" 41	306S-109
185 S4/P4, 190 S4/T4/P4		2.12" 16	306S-23
19050 S/T/P		2.12" 33	306S-53
19055 S/T/P		2.00" 39	306S-108
19060S		2.00" 39	275S-51
19101, 19121, 19201		2.00" 39	306S-108
		2.00" 39	275S-63
21060 S/D/A		2.31" 36	306S-110
21065 S/D/T/P, 21121, 21221, 21321		2.30" 22	306S-39
21080 S		2.10" 41	275S-66
22060 S		2.31" 36	350S-86
22065 T		2.10" 41	275S-66
220 S4/P4, 22065 S/D/T/P,		2.10" 41	306S-109
22080 S		2.10" 41	306S-109
22121, 22221, 22321		2.31" 36	350S-86
23070 S/D		2.12" 16	306S-23
23070 T/P		2.31" 36	350S-86
23080 S		2.12" 33	306S-56
23080 T		2.31" 36	350S-86
23085 S/D		2.31" 36	350S-88
23070S, 23085 T/P		2.31" 36	350S-88
23105 S/D		2.50" 39	350S-40
(1996 & newer)		2.31" 36	350S-50
230 S4, 23121, 23421		2.31" 36	350S-47
		2.30" 22	350S-39
230 P4/T4, 23221, 23321		2.31" 36	306S-110
		2.30" 22	306S-39
E2300 S		2.50" 39	350S-40
25100		2.50" 39	350S-40
		2.31" 36	350S-47
		2.30" 22	350S-19
26080 T		2.31" 36	350S-88
260 S4, 26121		2.30" 36	350S-47
		2.30" 22	350S-39
260 P4, 26085, 26221, 26321		2.31" 36	306S-110
		2.30" 22	306S-39
26105 S/C		2.50" 39	350S-40
260 S4, 26121		2.50" 39	350S-40
		2.31" 36	350S-47
		2.30" 22	350S-39
30055-P		2.31" 36	350S-88
30105 S/C, 30127		2.50" 39	350S-40
30227, 30327		2.5 39	See Note (4)
35055-P		2.31" 36	350S-88
35327		2.50" 39	See Note (4)

*Requires case change: Use conventional differential case assembly.

Axle Description	Carrier	Axle Shaft Dia. (2) # Splines	NoSpin Model Number (1)
Tandem Axles			
34 RT		2.00" 39	306S-108
		2.00" 16	306S-21
34 DS/T, DP/S/T, 340, 341, 346, DS/T/P 3416		2.00" 39	306S-108
DS/C/T/P-341		2.00" 16	306S-21
DS/A-344		2.00" 39	306S-108
38 DP/S/T, DP/S/T, 380, 381, 4026, 381, 386		2.00" 39	275S-63
DS/C/T/P 402, DS/T/P 4036		2.10" 41	306S-109
DS/P/T 400, 401, 406		2.12" 16	306S-23
42 DP		2.10" 41	306S-109
44 DT/P 440, 446		2.13" 33	306S-56
		2.12" 16	306S-23
		2.31" 36	306S-110
		2.30" 22	306S-39
DS 404/454		2.10" 41	275S-66
DS/C/T/P 451		2.10" 41	306S-109
		2.13" 33	306S-56
DS/T/P 460, 466		2.31" 36	306S-110
DS/C 461, DS 4616		2.31" 36	350S-47
DT/P 461, 4616		2.31" 36	350S-88
DS-466		2.31" 36	306S-110
DS-480, 486		2.31" 36	350S-47
		2.30" 22	350S-39
DT/P 480		2.31" 36	306S-110
		2.30" 22	306S-39
DT/P 485		2.31" 36 (6)	350S-71
50 DP		2.13" 33	306S-56
DS 520		2.50" 39	350S-40
DT/P 520		2.50" 39	See Note (4)
DS/C 521, DS 5216		2.31" 36	350S-47
DT/P 521, 5216		2.31" 36	350S-88
DP 580, 586		2.50" 39	See Note (4)
DS/C 581		2.31" 36	350S-47
DP 581, 601, 651, 652		2.31" 36	350S-88
		DP 650, 656 2.50" 39	See Note (4)

Planetary Axles

WR 3, 5	13100	1.75" 34	250S-100
WR 7	16100 Front	1.85" 36	250S-109
	Rear	2.10" 41	306S-109
WR 10	DS402 Front	2.10" 41	306S-109
	21065 Rear	2.10" 41	306S-109
WR 12	23070	2.12" 33	306S-56
WR 31	13000	1.87" 16	250S-37
WR 51	15000	1.75" 19	250S-20
		1.87" 16	250S-37
WR 61	17000	1.87" 16	306S-119
WR 81	18000	2.12" 16	306S-23

CHEVROLET/GMC Single Rear Axles

C100	Rockwell	1.62" 32	225S-52
		1.62" 16	225S-15
H110	12-1/4" dia. r.g.	1.75" 27	250S-27
H135	13-7/32" dia. r.g.	1.87" 29	250S-46
H150		1.87" 29	250S-46
H170		1.87" 29	250S-46
H175		2.00" 39	306S-79
T150		1.87" 29	275S-12
T170		1.87" 29	275S-12
T175	Eaton 16244	1.85" 36	250S-109
T185		1.87" 29	275S-12

See notes on last page.

Axle Description	Carrier	Axle Shaft Dia. (2) # Splines	NoSpin Model Number (1)	Axle Description	Carrier	Axle Shaft Dia. (2) # Splines	NoSpin Model Number (1)
MERITOR Single Rear Axles							
RS-13/15-120		1.75" 34	250S-134	RS-38-380		2.55" 50	350S-79
3.31-4.30 ratio				RS-410#		1.45" 29	225S-39A
4.56-7.17 ratio		1.95" 38	250S-128	S-162, 163		2.25" 23	350S-25
RS-15/17/19-220/224		1.85" 36	275S-37	S-164, 165		2.38" 24	350S-13
RS-17/19-144		2.10" 41	275S-43	S-170		2.35" 46	350S-57
RS-17/19-145		2.00" 39	275S-44			2.38" 24	350S-13
RS-19-220/224		1.85" 36	275S-37	SL-100		2.00" 39	306S-79
RS-21-145		2.10" 41	275S-43	SR-170		2.38" 24	350S-13
RS-21/23-160/160A/161/186		2.35" 46	350S-81	SW-170/180, 270/280		2.55" 50	350S-79
RS-21-230		2.00" 39	306S-127	U-170, 180, 240, 340		2.38" 24	350S-13
RS-23-240		2.10" 41	306S-124	U-270, 340		2.35" 46	350S-57
RS-23/26/30-380		2.35" 46	350S-93	W/WP/WR-170		2.55" 50	350S-79
RS-25/26-160/160A/185		2.35" 46	350S-81	W-180, 270, 280		2.55" 50	350S-63
RS-38-380		2.55" 50	350S-79	W-464		2.55" 50 (5)	350S-56
C-100, 102, 200		1.62" 32	225S-52	59732, 59733 (WT)		2.38" 16	350S-29
		1.62" 16	225S-15	59742, 59743 (WT)		2.38" 24	350S-13
D-100, 140		1.75" 34	250S-97	61142, 61143 (WT)		2.35" 46	350S-81
		1.75" 19	250S-13	*Di Rona Mexico #Brazil See notes on last page.			
		1.75" 16	250S-32	Tandem Axles			
F-106, 140, 146		1.75" 34	250S-97	RT-34/40-144/145/149		2.10" 41	275S-43
		1.75" 19	250S-13	RT-40/46/50-160/164/169,		2.25" 44	306S-136
FM-240		2.13" 22	306S-12	RT-40/44-145			
H-140, 145, 340		1.88" 20	275S-11	RT-48/50/52/58/70-185/380		2.35" 46	350S-93
H-140E		2.25" 44	306S-136	RZ-166		2.35" 46	350S-81
H-162		2.00" 21	306S-11	RZ-186 front		2.35" 46	350S-93
H-170, 171		1.85" 36	275S-10	rear		2.35" 46	350S-81
H-172, 173		2.00" 39	306S-79	RZ-188		2.35" 46	350S-93
L-145, 155		2.00" 21	306S-11	R-170/TKN 4670		2.35" 46	350S-57
L-164		1.88" 20	276S-11			2.38" 24	350S-13
L-172		2.00" 39	306S-79	RT 34-140, 145		2.00" 39	275S-44
L-245, 345		2.00" 21	306S-25				
L-362		2.00" 21	306S-25	RT 46/48/52-160		2.55" 50	350S-76
M-172		2.00" 39	306S-79			2.35" 46	350S-81
M/FM-240		2.12" 16	306S-36	RT 48/52/58-180 front		2.35" 46	350S-93
M/MD-240		2.13" 22	306S-12	rear		2.35" 46	350S-81
P-140E		2.25" 44	306S-136	RT 48/52/58-380		2.35" 46	350S-93
P-174		2.10" 41	306S-15	RT 70-180		2.55" 50	350S-76
Q-100		2.10" 41	306S-15	RT 70-380		2.55" 50	350S-79
Q-145		2.13" 22	306S-31	SDH/SDHD		1.75" 16	250S-32
Q-345		2.13" 22	306S-38	SFD (C-240)		1.62" 16	225S-15
R-140		2.25" 23	350S-25	SFD (M-240)		2.12" 16	306S-36
R-140E		2.25" 44	306S-136	SFD/SFDD 4640, 47		2.55" 50 (5)	350S-56
R-140, 155*, 200, 221,						2.50" 16 (5)	350S-52
255*, 270, 300, 355		2.38" 24	350S-13	SFH/SFHD		1.75" 34	250S-97
R-355/356		2.35" 46	350S-57			1.75" 19	250S-13
R-170		2.38" 16	350S-29	SHD, SHR		2.38" 24	350S-13
		2.38" 24	350S-13	SHHD/SJHD		1.87" 20	275S-11
RL-170		2.35" 46	350S-57	SLD/SLDD		2.00" 21	306S-11
		2.38" 24	350S-13			2.00" 16	306S-22
RS-13-120, 15-120/125		1.75" 34	250S-134	SL 100		2.00" 39	306S-79
4.56-7.17 ratio		1.95" 38	250S-128	SLHD		2.00" 21	306S-11
RS-15-210		1.75" 34	250S-139	SLHR/T-3000		2.00" 21	306S-11
RS-17-140		2.00" 39	275S-44	SQHD		2.13" 22	306S-12
		1.85" 36	275S-46			2.00" 21	306S-25
RS-17-144, 145		2.00" 39	275S-44	SQHP, SQ 100		2.10" 41	306S-15
RS-17-220		1.85" 36	275S-37	SQR 100		2.10" 41	306S-15
RS-18-140, 145		2.00" 39	275S-44	SR 170, 270, 280		2.35" 46	350S-57
		1.85" 36	275S-46			2.38" 24	350S-13
RS-19-145		2.00" 39	275S-44	SRD/SRDD		2.35" 46	306S-84
RS-19-220		1.85" 36	275S-37			2.25" 23	306S-35
RS-20-145		2.25" 44	306S-136	SRHD		2.25" 23	306S-35
		2.10" 41	275S-43	SSHD		2.35" 46	350S-57
RS-20-230		2.00" 39	306S-127			2.38" 24	350S-13
RS-21-145		2.10" 41	275S-43			2.25" 23	350S-25
RS-21-230		2.00" 39	306S-127	ST 170		2.38" 24	350S-13
RS-23-160, 180		2.35" 46	350S-81	STD,STDD,STD-DD		2.35" 46	350S-55
		2.55" 50	350S-76			2.38" 24	350S-36
RS-23-240		2.10" 41	306S-124	STHD		2.38" 46	350S-57
RS-23-380		2.35" 46	350S-93			2.38" 24	350S-13
RS-25/26-160, 180		2.35" 46	350S-81	SU 170, SUD/SUDD, SUHD		2.35" 46	350S-57
RS-26-380		2.35" 46	350S-93			2.38" 24	350S-13
RS-30-180		2.35" 46	350S-81	SU 270, 280		2.35" 46	350S-57
RS-30-380		2.35" 46	350S-93			2.38" 24	350S-13
				SW 170, 180, 270, 280		2.55" 50	350S-79
				FLDD, LDD-240		2.13" 22	306S-12

Axle Description	Carrier	Axle Shaft Dia. (2) # Splines	NoSpin Model Number (1)
LDF		2.00" 21	306S-25
LDH/R		2.00" 21	306S-11
QHD/R		2.00" 21	306S-25
RDD/F/R		2.35" 46	306S-84
SHD/R		2.38" 24	350S-13
		2.35" 46	350S-57
TDD/F/R		2.35" 46	350S-55
UDD/F/R		2.38" 24	350S-13
		2.35" 46	350S-57
Planetary Axles			
SINGLE – PR			
204/5, 265	D/F-140	1.75" 19	250S-13
184, 824	H-172	1.88" 20	306S-42
673	L-172	2.13" 22	306S-12
352/3, 382	PRA Series	1.60" 31	225S-122
1736	QR-100	2.10" 41	306S-15
867	R-155	2.13" 22	350S-15
3805, 4805	R-155	2.38" 24	350S-15
594, 671	RS-120/125	1.75" 34	250S-134
	RS-120/125	1.95" 38	250S-128
416, 425, 673	RS-145	2.00" 39	275S-44
756, 775, 1314			
727, 866, 1206,	RS-145	2.10" 41	275S-43
1735, 1756, 1794			
5225, 7534	RS-186	2.55" 50	350S-76
674	RS-220	1.85" 36	275S-44
134	53500	1.75" 16	250S-23
TANDEM-SP			
673	RT-145	2.00" 39	275S-44
1927	RT-160	2.35" 46	350S-81
4808	RT-380	2.55" 50	350S-79
1356, 1735	SQHP	2.10" 41	306S-15
1927	SR-170	2.38" 24	350S-15
STEER-PS			
205, 594	F-140	1.75" 19	250S-13
824/5	H-172	1.88" 20	306S-42
824/5	L-172	2.13" 22	306S-12
1614	Q-100	2.13" 22	306S-31
		2.10" 41	306S-92
1044, 1617, 1794	QR-100	2.10" 41	306S-15
1485, 1875, 4564	R-155	2.13" 22	350S-19
		2.38" 24	350S-15
205, 594	RS-120/125	1.75" 34	250S-134
	RS-120/125	1.95" 38	250S-128
826, 1044, 1614,	RS-145	2.10" 41	275S-43
1794			
1876	RS-160	2.35" 46	350S-81
SVI 5000 series		1.71" 33	
717SV166			
SINGLE PR, TANDEM SP, STEER PS			
134, 164, 267, 268	53500	1.75" 16	250S-23
274	C-100	1.62" 16	225S-15
203	C-102	1.65" 32	225N-52
165, 166, 175, 176,	D-140/142	1.75" 19	250S-13
204, 205#, 264, 265,	F-140/145		
353, 354, 515, 524			
574, 593, 594#, 595,			
671#, 723, 724, 823			
592, 596*, 614*, 672*	H-140/150/340	1.88" 20	275S-11
674, 824*, 863*, 1103*, 1374*			
184, 577#, 596*, 614*,	H-172	1.88" 20	306S-42
672*, 694#, 726, 824*, 825#,			
834, 863*, 1103*, 1374*			
784, F106		1.77" 19	250S-13
576, 595, 671#,	HHD Front	1.88" 20	275S-11
1743, 1753	H-172 Rear	1.88" 20	306S-42

Axle Description	Carrier	Axle Shaft Dia.(2) #Splines	NoSpin Model Number (1)
Planetary Axles			
150#, 154#, 158#, 202, 235#, 483, 655, 673#, 695#, 825#, 864, 1104	L-172	2.13" 22	306S-12
577#, 615, 673#, 695#, 803, 855	L-172	2.00" 21	306S-11
362	L-172	2.00" 39	306S-79
673	L-345	2.00" 21	306S-11
150, 158#, 202, 235#, 413		2.00" 21	306S-25
5054, 7314#, 10253	PR-700	2.75" 54	450S-146
7314#	PR-700	2.63" 26	450S-129
1756#	Q-100	2.25" 23	306S-35
208, 209, 210	Q-100/145	2.13" 22	306S-31
250, 251, 266 676, 804, 826, 1044, 1314, 1355, 1614#			
1614#	Q-100	2.10" 41	306S-92
827, 1044, 1105, 1284, 1357, 1617, 1736, 1794#	Q-100	2.10" 41	306S-15
207, 677, 827, 866, 867, 1315, 1485, 1615, 1725, 1757#	R-140/155	2.13" 22	350S-19
1757#, 1875, 1925, 1935, 3795, 3805, 4025, 4564, 4805	R-140/155	2.38" 24	350S-15
1045, 1737, 1757#	R-140/155	2.15" 23	350S-16
258#, 305#, 312#, 1927#, 3796, 4264, 4565, 4807, 4874	R-170	2.38" 24	350S-15
4824, 5814, 5095	R-170/180	2.45" 48	350S-75
677	R-355	2.38" 24	350S-15
205#, 265, 415, 454 594#, 671#	RS-120/125	1.75" 34	250S-134
755, 775	RS-125	1.95" 38	250S-128
416, 673#, 756#, 1314	RS-140/145	2.00" 39	275S-44
673#, 727, 826, 866, 867, 1044, 1105, 1614, 1735#, 1756, 1794	RS-145	2.10" 41	275S-43
756#	RS-145	1.85" 36	275S-46
1876, 1927#	RS-160	2.35" 46	350S-81
5225, 7534, 10253	RS-180/185/186	2.55" 50	350S-76
674	RS-220	1.85" 36	275S-37
230	RS-230	2.00" 39	306S-127
4808#	RN-380	2.38" 24	350S-15
	RP/RT-380	2.55" 50	350S-79
	RR-380	2.35" 46	350S-93
258#, 305#, 311#, 1927#, 4806	SR-170	2.38" 24	350S-15
1356, 1357, 1616, 1735# 1736	SQHP, SQ-100	2.10" 41	306S-15
1926, 4026	SSHD SSHP	2.38" 24	350S-13
5324	WR-170	2.55" 50	350S-79

*May have either H-140 or H-172 carrier; check carrier to determine correct NoSPIN differential. #Produced with different axle shafts: count splines to determine correct NoSPIN differential.

Axle Description	Carrier	Axle Shaft Dia. (2) # Splines	NoSpin Model Number (1)	Axle Description	Carrier	Axle Shaft Dia. (2) # Splines	NoSpin Model Number (1)
MERITOR Single Rear Axles							
RS-13/15-120		1.75" 34	250S-134	RS-38-380		2.55" 50	350S-79
3.31-4.30 ratio				RS-410#		1.45" 29	225S-39A
4.56-7.17 ratio		1.95" 38	250S-128	S-162, 163		2.25" 23	350S-25
RS-15/17/19-220/224		1.85" 36	275S-37	S-164, 165		2.38" 24	350S-13
RS-17/19-144		2.10" 41	275S-43	S-170		2.35" 46	350S-57
RS-17/19-145		2.00" 39	275S-44			2.38" 24	350S-13
RS-19-220/224		1.85" 36	275S-37	SL-100		2.00" 39	306S-79
RS-21-145		2.10" 41	275S-43	SR-170		2.38" 24	350S-13
RS-21/23-160/160A/161/186		2.35" 46	350S-81	SW-170/180, 270/280		2.55" 50	350S-79
RS-21-230		2.00" 39	306S-127	U-170, 180, 240, 340		2.38" 24	350S-13
RS-23-240		2.10" 41	306S-124	U-270, 340		2.35" 46	350S-57
RS-23/26/30-380		2.35" 46	350S-93	W/WP/WR-170		2.55" 50	350S-79
RS-25/26-160/160A/185		2.35" 46	350S-81	W-180, 270, 280		2.55" 50	350S-63
RS-38-380		2.55" 50	350S-79	W-464		2.55" 50 (5)	350S-56
C-100, 102, 200		1.62" 32	225S-52	59732, 59733 (WT)		2.38" 16	350S-29
		1.62" 16	225S-15	59742, 59743 (WT)		2.38" 24	350S-13
D-100, 140		1.75" 34	250S-97	61142, 61143 (WT)		2.35" 46	350S-81
		1.75" 19	250S-13	*Di Rona Mexico #Brazil See notes on last page.			
		1.75" 16	250S-32	Tandem Axles			
F-106, 140, 146		1.75" 34	250S-97	RT-34/40-144/145/149		2.10" 41	275S-43
		1.75" 19	250S-13	RT-40/46/50-160/164/169,		2.25" 44	306S-136
FM-240		2.13" 22	306S-12	RT-40/44-145			
H-140, 145, 340		1.88" 20	275S-11	RT-48/50/52/58/70-185/380		2.35" 46	350S-93
H-140E		2.25" 44	306S-136	RZ-166		2.35" 46	350S-81
H-162		2.00" 21	306S-11	RZ-186 front		2.35" 46	350S-93
H-170, 171		1.85" 36	275S-10	rear		2.35" 46	350S-81
H-172, 173		2.00" 39	306S-79	RZ-188		2.35" 46	350S-93
L-145, 155		2.00" 21	306S-11	R-170/TKN 4670		2.35" 46	350S-57
L-164		1.88" 20	276S-11			2.38" 24	350S-13
L-172		2.00" 39	306S-79	RT 34-140, 145		2.00" 39	275S-44
L-245, 345		2.00" 21	306S-25				
L-362		2.00" 21	306S-25	RT 46/48/52-160		2.55" 50	350S-76
M-172		2.00" 39	306S-79			2.35" 46	350S-81
M/FM-240		2.12" 16	306S-36	RT 48/52/58-180 front		2.35" 46	350S-93
M/MMD-240		2.13" 22	306S-12	rear		2.35" 46	350S-81
P-140E		2.25" 44	306S-136	RT 48/52/58-380		2.35" 46	350S-93
P-174		2.10" 41	306S-15	RT 70-180		2.55" 50	350S-76
Q-100		2.10" 41	306S-15	RT 70-380		2.55" 50	350S-79
Q-145		2.13" 22	306S-31	SDH/SDHD		1.75" 16	250S-32
Q-345		2.13" 22	306S-38	SFD (C-240)		1.62" 16	225S-15
R-140		2.25" 23	350S-25	SFD (M-240)		2.12" 16	306S-36
R-140E		2.25" 44	306S-136	SFD/SFDD 4640, 47		2.55" 50 (5)	350S-56
R-140, 155*, 200, 221,						2.50" 16 (5)	350S-52
255*, 270, 300, 355		2.38" 24	350S-13	SFH/SFHD		1.75" 34	250S-97
R-355/356		2.35" 46	350S-57			1.75" 19	250S-13
R-170		2.38" 16	350S-29	SHD, SHR		2.38" 24	350S-13
		2.38" 24	350S-13	SHHD/SJHD		1.87" 20	275S-11
RL-170		2.35" 46	350S-57	SLD/SLDD		2.00" 21	306S-11
		2.38" 24	350S-13			2.00" 16	306S-22
RS-13-120, 15-120/125		1.75" 34	250S-134	SL 100		2.00" 39	306S-79
4.56-7.17 ratio		1.95" 38	250S-128	SLHD		2.00" 21	306S-11
RS-15-210		1.75" 34	250S-139	SLHR/T-3000		2.00" 21	306S-11
RS-17-140		2.00" 39	275S-44	SQHD		2.13" 22	306S-12
		1.85" 36	275S-46			2.00" 21	306S-25
RS-17-144, 145		2.00" 39	275S-44	SQHP, SQ 100		2.10" 41	306S-15
RS-17-220		1.85" 36	275S-37	SQR 100		2.10" 41	306S-15
RS-18-140, 145		2.00" 39	275S-44	SR 170, 270, 280		2.35" 46	350S-57
		1.85" 36	275S-46			2.38" 24	350S-13
RS-19-145		2.00" 39	275S-44	SRD/SRDD		2.35" 46	306S-84
RS-19-220		1.85" 36	275S-37			2.25" 23	306S-35
RS-20-145		2.25" 44	306S-136	SRHD		2.25" 23	306S-35
		2.10" 41	275S-43	SSHD		2.35" 46	350S-57
RS-20-230		2.00" 39	306S-127			2.38" 24	350S-13
RS-21-145		2.10" 41	275S-43			2.25" 23	350S-25
RS-21-230		2.00" 39	306S-127	ST 170		2.38" 24	350S-13
RS-23-160, 180		2.35" 46	350S-81	STD,STDD,STD-DD		2.35" 46	350S-55
		2.55" 50	350S-76			2.38" 24	350S-36
RS-23-240		2.10" 41	306S-124	STHD		2.38" 46	350S-57
RS-23-380		2.35" 46	350S-93			2.38" 24	350S-13
RS-25/26-160, 180		2.35" 46	350S-81	SU 170, SUD/SUDD, SUHD		2.35" 46	350S-57
RS-26-380		2.35" 46	350S-93			2.38" 24	350S-13
RS-30-180		2.35" 46	350S-81	SU 270, 280		2.35" 46	350S-57
RS-30-380		2.35" 46	350S-93			2.38" 24	350S-13
				SW 170, 180, 270, 280		2.55" 50	350S-79
				FLDD, LDD-240		2.13" 22	306S-12

TABLE OF CONTENTS

Axle Type Illustration	Page 32
Eaton to NCB Interchange List	Page 33
Rockwell to NCB Interchange List	Page 34
Numerical Listing Rockwell Assemblies	Page 35
NCB Axle Shaft No. to Original Equipment Mfg. & Specifications	Page 36
Principal Applications & Approx. Shipping Weights	Page 54
Sample Identification	Page 56

SPECIAL AXLES & SHAFTS

Our Modern equipment and facilities enable us to produce all types of shafts for Trucks and Tractors as well as for other innumerable uses. Submit your drawings and specifications, and quotations will be promptly forwarded.

GENERAL INFORMATION

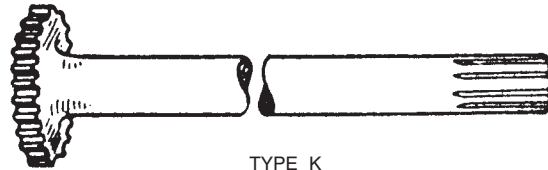
Our axles and drive shafts are manufactured for the replacement trade. It is not intended to convey the thoughts that they are original shafts made by the truck or assembly manufacturer. They are sold for use in replacing broken or worn shafts and should be resold by the vendor for such purposes only. Vehicles or assembly manufacturers' part numbers are used to aid in selection of our proper number.

AXLE-TYPES

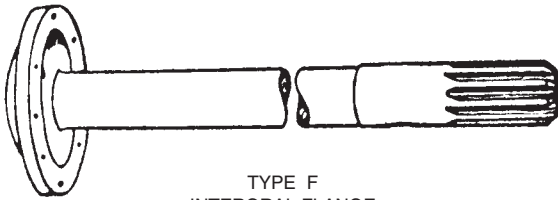
The illustrations below classify the principal types of Axles listed in the Catalog. The symbols appear in the alphabetical listing in the column headed "Type and Number of Splines." The letter symbol identifies the type, and the numeral suffix the number of splines. Flanged axles, unless otherwise noted, are measured from inside of flange to end of spline.



TYPE B



TYPE K



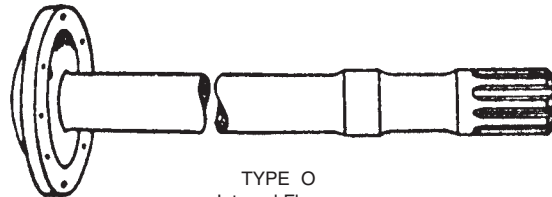
TYPE F
INTERGRAL FLANGE



TYPE M
MF-Type M with Press-on Flange



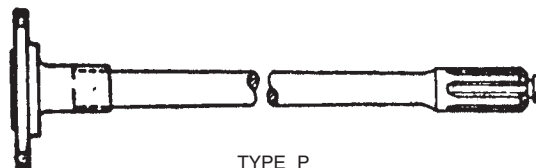
TYPE R



TYPE O
Integral Flange



TYPE J
JF-Type with Press-on Flange



TYPE P

Type "T" same as Type "P", without lock key groove.

Heavy Duty Axle Shafts

Heavy Duty Axle Shafts

EATON TO NCB INTERCHANGE LIST

Eaton Part No.	NCB Part No.	Eaton Assembly Series
15461.....	AS655	IHC
22586.....	AS872R	17
22619.....	AS729	19-20
22638.....	AS732A	17-18-34
27847.....	AS834	18-38-42
28429.....	AS732A	17-18-34
29130.....	AS732A	17-18-34
29458.....	AS732A	17-18-34
30024.....	AS834	18-38-42
30470.....	AS847	16
30562.....	AS864	18-38
30687.....	AS749	17-34-340
31136.....	AS855	16
31403.....	AS758	16-30
31673.....	AS763A	15
31928.....	AS842R	17
32586.....	AS846	13-15
32686.....	AS749	17-34-340
34689.....	AS732A	17-18-34
35310.....	AS858	13
35332.....	AS866	13-15
37150.....	AS953	19
37303.....	AS864	18-38
37311.....	AS729	19-20
37357.....	AS842R	17
37396.....	AS732A	17-18-34
37405.....	AS732A	17-18-34
37406.....	AS732A	17-18-34
37883.....	AS732A	17-18-34
38045.....	AS953	19
38208.....	AS892	18-38-42
38310.....	AS834	18-38-42
38928.....	AS953	19
40761.....	AS930	13
40934.....	AS732A	17-18-34
40935.....	AS729	19-20
42681.....	AS842R	17
42925.....	AS953	19
43776.....	AS846	13-15
43981.....	AS983	18
43982.....	AS989L	18
43983.....	AS989R	18
43984.....	AS985	IHC
44006.....	AS984L	17
44007.....	AS984R	17
44450.....	AS864	18-38
45059.....	AS866	13-15
46789.....	AS834	18-38-42
49934.....	AS732A	17-18-34
51084.....	AS729	19-20
51264.....	AS1051	19-20-23
52281.....	AS1026	30
53597.....	AS1051	19-20-23
54014.....	AS1040	19-23-26-44-440-480
55293.....	AS1022L	GMC
55294.....	AS1022R	GMC
55957.....	AS1051	19-20-23
55987.....	AS1057	16
56203.....	AS864	18-38
56979.....	AS1026	30
56980.....	AS749	17-34-340
56981.....	AS1052	18-38-380
58975.....	AS1053	16

Eaton Part No.	NCB Part No.	Eaton Assembly Series
59502.....	AS1058	16-30
62164.....	AS1048	16-30-34
62165.....	AS1049	17-34-340
62166.....	AS1087	18-22-38-380
62214.....	AS732A	17-18-34
64130.....	AS1063	18-38-380
64893.....	AS732A	17-18-34
64973.....	AS749	17-34-340
65360.....	AS1054	13-15
67591.....	AS1049	17-34-340
67742.....	AS834	18-38-42
67747.....	AS1040	19-32-26-44-440-480
67790.....	AS842R	17
72617.....	AS1058	16-30
76917.....	AS1104	38-380
79005.....	AS1128	18-23-26-44-440-480
79130.....	AS1131	18
80929.....	AS1131	18
81216.....	AS1083	18-22-38-380
81683.....	AS1081	16-30
88192.....	AS1129	50-400-401-480
88987.....	AS1098	16
91133.....	AS1144	400
99024.....	AS1144	23-26-34
110880.....	AS1137	13-15
110881.....	AS1133	16
110882.....	AS1134	17-34-340
110883.....	AS1135	18-22-38-300-381-381P
110884.....	AS1135	18-22-38-380-381-381P
110885.....	AS1136	23-26
110886.....	AS1140	17-34-340
110890.....	AS1138	19-23-26-44-440-480
111348.....	AS1132	16
111544.....	AS1141	15
111545.....	AS1142	15-16
113334.....	AS1210	401
113335.....	AS1153	440
113645.....	AS1139	16
118866.....	AS1167	13-15
119592.....	AS1160	15
119593.....	AS1158	16
119594.....	AS1150	17-341
119595.....	AS1207	18-22-381
119596.....	AS1208	23
119627.....	AS1200	23105
119949.....	AS1209	23105
126274.....	AS1201	19050S
210512.....	AS1202	19050S
210628.....	AS1203	19050S
111788.....	AS1224	
119628.....	AS1225	
127437.....	AS1226	
127438.....	AS1227	
128514.....	AS1228	
128515.....	AS1229	
129010.....	AS1230	
129011.....	AS1231	
210654.....	AS1232	
110888.....	AS1214	
110889.....	AS1215	

ROCKWELL TO NCB INTERCHANGE LIST

Rockwell No.	NCB No.	Rockwell No.	NCB No.	Rockwell No.	NCB No.	Rockwell No.	NCB No.
K1779	AS681	03423	AS1046	L6564	AS1024	P8362	AS1173
Z2054	AS649	A3459	AS1042	V6574	AS1042	08389	AS1172
Z2262	AS999	D3462	AS1013	D6712	AS1109	H8666	AS1187
Q2513	AS965	X3508	AS1037	T6728	AS1126L	Z8788	AS1171
N2536	AS863S	Z3510	AS1044	U6729	AS1126S	B8790	AS1170
Q2539	AS863L	B3512	AS1159L	V6730	AS1037	Q8805	AS1183
Q2591	AS1015R	Z3666	AS1084L	F6766	AS1115	B8816	AS1184
S2593	AS1015L	A3667	AS1084R	G6767	AS1113	J8902	AS1175R
H2686	AS762	Z3692	AS955	S6779	AS1204	L8904	AS1175L
Z2704	AS893	R3710	AS649	T6780	AS1112R	W8915	AS1180
B2706	AS931	Z3718	AS1037	W6783	AS1037	Y8917	AS1188
D2734	AS921	X3742	AS969	F6792	AS1111	S8937	AS1189
F2736	AS922	Z3771	AS1037	G6793	AS1130	M8983	AS1166
L2872	AS972R	H3888	AS969	Z7384	AS1145L	E9001	AS1174R
M2873	AS972L	K3911	AS969	C7387	AS1145R	F9002	AS1174L
T2932	AS932	U3921	AS969	E7415	AS1108	G9003	AS1182
D2942	AS933	P3942	AS972R	F7572	AS1122	S9041	AS1178
G2971	AS950	Q3943	AS972L	W7745	AS1186	T9042	AS1177
J2974	AS1060R	B4448	AS1080	P7816	AS1110	U9043	AS1179
L2976	AS1060L	D4450	AS1068	T7820	AS1106	X9046	AS1199
S2983	AS951	Y4783	AS1043	S7975	AS1127	Y9047	AS1198
C2993	AS952	K5107	AS1056	N8048	AS1149	B9050	AS1176L
L3002	AS955	W5197	AS1056	P8050	AS1146	C9051	AS1176R
J3026	AS995	B5228	AS1054	08051	AS1147	F9340	AS1191
S3035	AS969	Q5269	AS1043	J8070	AS1148	G9341	AS1192
W3039	AS967R	X5407	AS1057	Y8111	AS1185	H9342	AS1190
Y3041	AS967L	V6054	AS1159L	C8141	AS1211	J9344	AS1194
K3053	AS967L	X6056	AS1159R	Q8181	AS1143L	K9345	AS1195
L3054	AS967R	N6098	AS1090	R8182	AS1143S	L9346	AS1193
N3056	AS1024	P6100	AS1090	Y8189	AS1111	E9391	AS1205
Z3120	AS1028	L6356	AS1101S	Z8190	AS1130	F9392	AS1206
N3212	AS968	N6358	AS1101	C8193	AS863S	C9519	AS1197
R3268	AS1043	Q6361	AS1196	D8194	AS863L	Q8935	AS1181
S3269	AS1012	X6472	AS1028	E8195	AS1015R	G9393	AS1235
A3277	AS1043	W6549	AS1028	F8196	AS1015L		

NOTE: ALL ROCKWELL NUMBERS CARRY 3202 AS A PREFIX IN THEIR NUMBERING SYSTEMS

NUMERICAL LISTING OF ROCKWELL REAR AXLE ASSEMBLIES FOR WHICH WE CAN SUPPLY REPLACEMENT AXLES

Rockwell Assembly No.	NCB No.	Rockwell Part No. 3202
B140.....	AS932	T2932
D100-40	AS762	H2686
F106	AS1054	B5228
F130	AS1056	K5107-W5197
F140-145-240-340-345	AS933	D2942
F140D-147	AS1056	K5107-W5197
G161-341-361	AS968	N3212
G361.....	AS969	S6065-X3742
H100-110	AS936	CHEV-GMC
H110.....	AS1149	N8048
H130-150	AS937	CHEV-GMC
H135.....	AS1146	P8050
H140-240-340-350-370	AS955	L3002
H141(Dodge)	AS1080	B4448
H150.....	AS938R-L	CHEV-GMC
H150.....	AS1022R-L.....	CHEV
H150.....	AS1147	Q8051
H170.....	AS1022R-L.....	CHEV
H170(Ford).....	AS1090	N6098-P6100
H172.....	AS1109	D6712
H172(Dodge)	AS1122	F7572
H175.....	AS1148	J8070
L140-145-240-245-340-345	AS950	G2971
L162-351-362	AS969	X3742
L346	AS1028	Z3120
L351	AS969	S3035
L361.....	AS969	H3888
Q145-345	AS951	S2983
Q246P-346P.....	AS1024	N3056
Q345.....	AS1043	Q5269
QT140-240-340-345.....	AS951	S2983
QT340.....	AS1043	R3268
R100-101-110-200-201- 210-230-300-310-330	AS649	Z2054
R101-201-301	AS999	Z2262
R140.....	AS952	C2993
R160-390	AS967R-L.....	L-3054-K3053
RL170.....	AS1037	X3508
R2090-1	AS681	K1779
RS13-120	AS1174R-L.....	E9001-F9002
RS15-120	AS1174R-L.....	E9001-F9002
RS15-210	AS1174R-L.....	E9001-F9002
RS17-140	AS1176R-L.....	C9051-B9050
RS17-220	AS1175R-L.....	J8902-L8904
RS21-145	AS1178	S9041
RS21-145	AS1177	T9042
RS21-230	AS1180	W8915
RS23-160	AS1183	Q8805
RS23-160	AS1182	G9003
RS23-180	AS1183	Q8805
RS23-180	AS1185	Y8111
RS26-180	AS1186	W7745
RS23-180	AS1187	H8666
RS23-240	AS1188	Y8917
RT140-240-340	AS952	C2993
RT340.....	AS1037	X3508
S170(GMC)	AS1159R-L.....	X6056-V6054
S200-300	AS649	Z2054
SL100.....	AS1143L-S.....	Q8181-R8182
SQ100	AS1101L-S.....	N6358-L6356
SR170-270-380	AS1159R-L.....	X6056-V6054
T1550.....	AS1141	GMC
T150-170-185	AS937	CHEV-GMC

Rockwell Assembly No.	NCB No.	Rockwell Part No. 3202
T150-170	AS1022R-L.....	CHEV
T155(GMC).....	AS1145R-L.....	C7387-Z7384
T185	AS1125	GMC
U200-300	AS649	Z2054
D & D D4640	AS1015R-L.....	Q2591-S2593
HQDA-QHAR.....	AS1024	N3056
LHAR-LHDA	AS1028	Z3120
SFD154.....	AS681	K1779
SFD450-60-D461	AS863L-S.....	Q2539-N2536
SFD4600-SFDD4600	AS1111-1130	F6792-G6793
SFD4640.....	AS995	J3026
SFHD	AS955	L3002-Z3692
SHHD	AS1080	B4448
SHHD(Dodge).....	AS995	J3026
SHHR	AS1040	Z3510
SL100	AS1143L-S.....	Q8181-R8182
SLD(21 spl.).....	AS1060R-L.....	J2974-L2976
SLHD	AS950	G2971
SLHD(GMC)	AS969	X3742
SLHD	AS1143L-S.....	Q8181-R8182
SLHD(GMC)	AS1028	X6472
SQS-SQDD	AS921	D2734
SQD-SQDD	AS922	F2736
SQDD(GMC)	AS972R-L.....	L2872-M2873
SQHD	AS951	S2983
SQHD(IHC).....	AS1024	N3056
SQHD(GMC).....	AS1012	Q5269-S3269
SQHD(GMC).....	AS1043	A3277
SQHD(GMC).....	AS1101L-S.....	N6358-L6356
SQHD(Wide Track)	AS1046	Q3423
SQHP	AS1101L-S.....	N6358-L6356
SR270/280	AS1159R-L.....	X6056-V6054
SRDD	AS1112R-L.....	T6780-W6783
SSDD	AS1111RH-1130LH.....	F6792-G6793
SSHD	AS1042-967R.....	A3459-W3039
SSHD(CHEV-GMC)	AS1084R-L.....	A3667-Z3666
SSHD(GMC)	AS1126L-S.....	T6728-U6729
SSHR	AS955	L3002
STHD(GMC)	AS1145R-L.....	C7387-Z7384
SUD-SUDD	AS1035L-S.....	P3500-N3498
SUDD	AS1113-1115	G6767-F6766
SUHD	AS1035L-1159L.....	P3500-V6054

NCB AXLE SHAFT NUMBER TO ORIGINAL EQUIPMENT MANUFACTURER NUMBER

NCB NO.	TYPE	ROC.	EATON	FORD	GMC CHEVY	NAVISTAR	WHITE	MACK	DODGE
AS649	F16	Z2054		B8QH4234F	2208920 2428108	56151R1 251896C1	461403 718416		127750
AS655	F16		15461			54088H 58662H 219891R1			
AS681	F16	K1779					427472		1090629
AS691L	F16								1268811
AS691R	F16								1268810
AS701L	F10				3660093				
AS701R	F10				3660094				
AS729	F16		22619 37311 40935 51084		2426738 2291543		814789		
AS732A	F16		37883 40934 62214 64893			57408R1 57689R1 94050HA 109389R1 294292C1 298187C1 298188C1 875186R1 3237548R1	718062 879934 879937 879938 881220 898001		
AS749	F16		30689 32686 56980 64973	8QH4235 B1QH4235A C3TZ4234N		79951R1	846775 330305008		

SPECIFICATIONS OF NCB AXLES

SHAFT NO.	TYPE	LENGTH	SPLINE O.D.	FLANGE O.D.	BOLT CIRCLE	STUD BOLT HOLES			
						QTY	SIZE	STR	TAPER
AS649	F16	40-5/8	2.375	8-3/8	7	8	41/64		8
AS655	F16	36	1.812	6-3/8	5-3/8	6	33/64	6	
AS681	F16	40-3/4	1.955	6-1/2	5-1/2	12	17/32	9	3
AS691L	F16	10-1/2	1.375	4-3/4	4	6	29/64	6	
AS691R	F16	29-1/4	1.375	4-3/4	4	6	29/64	6	
AS701L	F10	33	1.638	5-5/16	4-17/32	8	29/64	8	
AS701R	F10	39-5/6	1.638	5-5/16	4-17/32	8	29/64	8	
AS729	F16	40-5/8	2.245	8-1/2	7	8	41/64		8
AS732A	F16	40-11/16	1.975	6-5/8	5-1/2	8	41/64	8	
AS749	F16	40-3/4	1.975	6-1/8	5-1/4	12	17/32		12

Heavy Duty Axle Shafts

NCB AXLE SHAFT NUMBER TO ORIGINAL EQUIPMENT MANUFACTURER NUMBER

NCB NO.	TYPE	ROC.	EATON	FORD	GMC CHEVY	NAVISTAR	WHITE	MACK	DODGE
AS750L	K16				3685193 3702205 3702227				
AS750R	K16				3685194 3702206 3702228				
AS751L	K10				3685191				
AS751R	K10				3685192				
AS755	F16								1194486
AS758	F16		31403						1196202
AS762	F16	H2686	31413	7RT4235A					
AS815	F16	N1417 J1466			2108953				
AS834	F16		27847 30024 38310 46789 67742		2486050	111658R1 205490R1 259684C1 305236C1 312075C1	716741 716742 875248	365SP86	
AS837	F16		45961			68932R1 111653R1 205468R1			
AS842R	F16		22586 31928 37357 42681 67790		2120072 2240328 2291542 2479192 3730536Z		861512		

SPECIFICATIONS OF NCB AXLES

SHAFT NO.	TYPE	LENGTH	SPLINE O.D.	FLANGE O.D.	BOLT CIRCLE	STUD BOLT HOLES			
						QTY	SIZE	STR	TAPER
†AS750L	K16	36-7/16	1.727	3-3/4		20			Teeth
†AS750R	K16	40-5/8	1.727	3-3/4		20			Teeth
†AS751L	K10	34-3/32	1.638	3-3/4		20			Teeth
†AS751R	K10	40-15/32	1.638	3-3/4		20			Teeth
AS755	F16	37-3/32	1.750	5-13/16	5-3/64	8	7/16	8	
AS758	F16	37-9/32	1.875	5-3/4	5-3/64	8	7/16	8	
AS762	F16	36-9/16	1.750	5-1/2	4-3/4	8	29/64		8
AS815	F16	37	1.625	5-3/4	4-7/8	8	29/64		8
AS834	F16	39-3/4	2.125	8-1/2	7	8	49/64	8	
AS837	F16	39-1/2	1.875	6-1/4	5.225	6	41/64	8	
AS842R	F16	40-15/16	1.985	6-1/8	5-1/4	12	33/64		12

†Dagger denotes length measured overall, NOT under flange.

Heavy Duty Axle Shafts

NCB AXLE SHAFT NUMBER TO ORIGINAL EQUIPMENT MANUFACTURER NUMBER

NCB NO.	TYPE	ROC.	EATON	FORD	GMC CHEVY	NAVISTAR	WHITE	MACK	DODGE
AS843	F16					82778R1			
AS844	F16		45960			69187R1 111651R1 205463R1 229166R1			
AS846	F16		32586 43776			77609R1 108117R1 171093R1	718167		
AS847	F16		30470		2241439		819050		
AS855	F16		31136			66017R1 108459R1 171628R1 336471C1	861577		
AS863L	F16	Q2539 D8194		C3TZ4234F	2272615	340568C1 698646R1	718873		
AS863S	F16	N2536 C8193		C3TZ4234E	2272614	340569C1 698647R1	718872		
AS864	F16		30562 37303 44450 56203		2290550 2359830 2431537		846681		
AS866	F16		35332 45059			95287R1 101716R1 179882R1			
AS892	F16		38208	TUAA4235A	5727159	205490R1	875248		256011

SPECIFICATIONS OF NCB AXLES

SHAFT NO.	TYPE	LENGTH	SPLINE O.D.	FLANGE O.D.	BOLT CIRCLE	STUD BOLT HOLES			
						QTY	SIZE	STR	TAPER
AS843	F16	36-3/16	1.510	5-1/4	4-3/8	6	33/64	6	
AS844	F16	36-13/16	1.743	5-3/4	4-7/8	8	33/64	8	
AS846	F16	36-3/4	1.745	5-3/4	4-7/8	8	33/64	8	
AS847	F16	38-1/2	1.875	6-3/16	5-5/16	8	37/64		8
AS855	F16	38-1/2	1.875	6-1/4	5.225	6	41/64	6	
AS863L	F16	46-1/16	2.490	8-3/8	7	8	41/64		8
AS863S	F16	37-7/8	2.490	8-3/8	7	8	41/64		8
AS864	F16	40-13/16	2.125	8-1/2	7	8	41/64		8
AS866	F16	38-5/8	1.750	6-1/4	5.225	6	41/64	6	
AS892	F16	39-3/4	2.125	8-1/2	7	8	49/64	8	

Heavy Duty Axle Shafts

NCB AXLE SHAFT NUMBER TO ORIGINAL EQUIPMENT MANUFACTURER NUMBER

NCB NO.	TYPE	ROC.	EATON	FORD	GMC CHEVY	NAVISTAR	WHITE	MACK	DODGE
AS895L	J17							68KHC356P1	
AS895S	J17							68KHC356P2	
AS921	F16	D2734				138764R1	843670		
AS922	F16	F2736				138765R1	843671		
AS933	F19	D2942		B4T4235A B6T4235A			883520		
AS936	K27				3762916				
AS937	K29				3709890 3762885 3762907				
AS938L	K29				3711457 3762891				
AS938R	K29				3711458 3762892				
AS950	F21	G2971			2468584	172052R1 211626R1	870558		1665635
AS951	F22	S2983				983610R1	871899		1665719
AS952	F23	C2993				168425R1 898212R1	878109		1665822
AS953	F16		37150 38045 38928 42925	B8QH4235G		111045R1 123741R1 284147C1	839118A	365SP84	

SPECIFICATIONS OF NCB AXLES

SHAFT NO.	TYPE	LENGTH	SPLINE O.D.	FLANGE O.D.	BOLT CIRCLE	STUD BOLT HOLES			
						QTY	SIZE	STR	TAPER
†AS895L	J17	50-1/8	2.190						
†AS895S	J17	39-11/16	2.190						
AS921	F16	45-5/8	2.120	7-15/32	6-1/2	12	33/64	6	6
AS922	F16	34-7/16	2.120	7-15/32	6-1/2	12	33/64	6	6
AS933	F19	37-1/2	1.770	6-1/8	5-1/8	8	29/64		8
†AS936	K27	37-7/16	1.730	3-3/4		20			Teeth
†AS937	K29	39-7/16	1.855	4-3/16		40			Teeth
†AS938	K29	38-1/16	1.855	4-3/16		40			Teeth
†AS938R	K29	40-9/16	1.855	4-3/16		40			Teeth
AS950	F21	40-3/8	1.995	6-3/8	5-11/16	12	15/32		12
AS951	F22	40	2.120	4-15/32	6-1/2	12	33/64	6	6
AS952	F23	40-7/8	2.245	8-3/8	7	8	41/64		8
AS953	F16	39-5/8	2.245	8-1/2	7	8	49/64	8	

†Dagger denotes length measured overall, NOT under flange.

NCB AXLE SHAFT NUMBER TO ORIGINAL EQUIPMENT MANUFACTURER NUMBER

NCB NO.	TYPE	ROC.	EATON	FORD	GMC CHEVY	NAVISTAR	WHITE	MACK	DODGE
AS955	F20	L3002 Z3692		C3TZ4234K C7TZ4234B	675889 237286		870562		
AS957L	J17							68KH3129P1	
AS957S	J17							68KH3129P2	
AS959L	J17							68KH358P1-4	
AS959S	J17							68KH358P2-3	
AS960L	F17							68KH3120P3 68KH3121P3	
AS960S	F17							68KH3120P2 68KH3121P2	
AS965	F16	Q2513					852108		
AS967L	F23	K3053 Y3041				358879C1 983452R1 983717R1	861141 887574		
AS967R	F23	W3039 L3054			2350221 2398830	358880C1 983451R1 983718R1	861142 881632		2560424
AS968	K20	N3212			2358251				
AS969	F21	S3035 X3742 H3888 U3921			2349682 2417717 2431395				
AS972L	F16	Q3943 M2873			2319812 2448043	297337C1	297337C1	3103964	

SPECIFICATIONS OF NCB AXLES

SHAFT NO.	TYPE	LENGTH	SPLINE O.D.	FLANGE O.D.	BOLT CIRCLE	STUD BOLT HOLES			
						QTY	SIZE	STR	TAPER
AS955	F20	38-3/16	1.872	6-1/4	5-5/16	8	33/64		8
AS957L	J17	50-1/8	2.190						
AS957S	J17	39-11/16	2.190						
AS959L	J17	51-5/8	2.625						
AS959S	J17	40-5/8	2.625						
AS960L	F17	45-1/8	2.190	7-11/32	6-3/8	8	9/16	8	
AS960S	F17	34-3/4	2.190	7-11/32	6-3/8	8	9/16	8	
AS965	F16	39-3/16	1.625	6-3/8	5-9/16	8	17/32	8	
AS967L	F23	37-15/16	2.250	8-3/8	7	8	41/64		8
AS967R	F23	43-1/2	2.250	8-3/8	7	8	41/64		8
†AS968	K20	39-1/8	1.875	4-3/16		40			Teeth
AS969	F21	40-11/16	2.000	6-1/8	5-1/4	12	33/64		12
AS972L	F16	46-1/4	2.120	8-3/8	7	8	41/64		8

†Dagger denotes length measured overall, NOT under flange.

Heavy Duty Axle Shafts

NCB AXLE SHAFT NUMBER TO ORIGINAL EQUIPMENT MANUFACTURER NUMBER

NCB NO.	TYPE	ROC.	EATON	FORD	GMC CHEVY	NAVISTAR	WHITE	MACK	DODGE
AS972R	F16	L2872 P3942			2319811 2448042	297338C1	3103965		
AS983	F20		43981			157518R1			
AS984R	F16		44007			175395R1 272120C1			
AS984L	F16		44006			175394R1 272119C1			
AS985	F22		43984			161087R1 892604C1			
AS989L	F20		43982			172714R1			
AS989R	F20		43983			172715R1			
AS991	F16								7922317
AS995	F16	J3026							
AS999	F20	Z2262					619787		
AS1012	F22	S3269			2365637 2408387 2472266				
AS1015L	F16	S2593 F8196			2402207	974557R1	877262		
AS1015R	F16	Q2591 E8195			2402206	974558R1	877261		
AS1022L	F29		55293		3796175				

SPECIFICATIONS OF NCB AXLES

SHAFT NO.	TYPE	LENGTH	SPLINE O.D.	FLANGE O.D.	BOLT CIRCLE	STUD BOLT HOLES			
						QTY	SIZE	STR	TAPER
AS972R	F16	35	2.120	8-3/8	7	8	41/64		8
AS983	F20	39-5/8	2.093	8-1/2	7	8	49/64	8	
AS984R	F16	38	1.980	6-5/8	5-1/2	8	41/64	8	
AS984L	F16	43	1.980	6-5/8	5-1/2	8	41/64	8	
AS985	F22	39-3/8	2.302	8-1/2	7	8	49/64	8	
AS989L	F20	42-1/16	2.093	8-1/2	7	8	49/64	8	
AS989R	F20	37	2.093	8-1/2	7	8	49/64	8	
AS991	F16	33-5/16	1.310	4-3/4	3-31/32	8	29/64		8
AS995	F19	38-3/8	1.770	6-1/4	5-5/16	8	33/64		8
AS999	F20	40-5/8	2.375	8-3/8	7	8	41/64		8
AS1012	F22	41	2.125	8-3/8	7	8	41/64		8
AS1015L	F16	49-7/8	2.485	8-3/8	7	8	3/4		8
AS1015R	F16	41-3/4	2.485	8-3/8	7	8	3/4		8
AS1022L	F29	37-1/4	1.860	6-3/16	5-5/16	8	37/64		8

NCB AXLE SHAFT NUMBER TO ORIGINAL EQUIPMENT MANUFACTURER NUMBER

NCB NO.	TYPE	ROC.	EATON	FORD	GMC CHEVY	NAVISTAR	WHITE	MACK	DODGE
AS1022R	F29		55294		3796176				
AS1024	F22	N3056 L6564		C1TT4235A D5HZ4235A		175542R1 353064R1	027089999		
AS1025	F29				3796177				
AS1026	F16		52281 56979	C1TT4235C C3TZ4234R			887997 1728392		3736653
AS1028	F21	Z3120 X6472 W6549		C1TT4235E D4HZ4234A	2005145	213526R1 579418C91	027075968		
AS1037	F24	X3058 Z3718 Z3771 V6730		D3HZ4234A	2431515 2418918	436422R1 752895C1 257266C1	1715590	365SP87 365SP96	2505729 2560620
AS1040	F22		54014 67747	DBHZ4234A	2428133 2491259		330305003		2239744 2552579
AS1042	F23	A3459 V6574			2398829	242942R1	881633		2560425
AS1043	F22	A3277 R3268 Y4783 Q5269		D7HZ4235A	2366740 2472266	464373C1	027087695 3120157-9		3496241
AS1044	F20	Z3510					864017	365SP85	
AS1046	F22	Q3423				281409C1 333453C1			

SPECIFICATIONS OF NCB AXLES

SHAFT NO.	TYPE	LENGTH	SPLINE O.D.	FLANGE O.D.	BOLT CIRCLE	STUD BOLT HOLES			
						QTY	SIZE	STR	TAPER
AS1022R	F29	39-3/4	1.860	6-3/16	5-5/16	8	37/64		8
AS1024	F22	39-3/16	2.125	8-1/2	7	8	49/64	8	
AS1025	F29	38-1/2	1.860	6-3/16	5-5/16	8	37/64		8
AS1026	F16	39-1/8	1.883	6-1/4	5-5/6	8	33/64		8
AS1028	F21	40-5/16	2.000	6-1/8	5-1/4	12	33/64		12
AS1037	F24	40-11/16	2.375	8-3/8	7	8	41/64		8
AS1040	F22	41	2.302	8-1/2	7	8	41/64		8
AS1042	F23	38-7/16	2.250	8-3/8	7	8	41/64		8
AS1043	F22	40-9/16	2.125	8-3/8	7	8	41/64		8
AS1044	F20	40-1/4	1.875	6-7/16	5-11/16	12	15/32		12
AS1046	F22	43-1/4	2.125	7-15/32	6-1/2	12	33/64	6	6

Heavy Duty Axle Shafts

NCB AXLE SHAFT NUMBER TO ORIGINAL EQUIPMENT MANUFACTURER NUMBER

NCB NO.	TYPE	ROC.	EATON	FORD	GMC CHEVY	NAVISTAR	WHITE	MACK	DODGE
AS1048	F16		62164		2457690				
AS1049	F16		62165 67591		2458460 2477769 2477790		V1112035		
AS1051	F22		51264 53597 55957 102560	C4TZ4234A		436957R1	888728		
AS1052	F16		56981	C3TZ4234P		288345C1 352528C1	891918		
AS1053	F19	B5228	65360	C4TZ42340		1677097C1	700890		
AS1055	F23			C7TZ4234A C9TZ4234D					2587864
AS1056	F19	K5107							2512525 2512065 2506987 2585378
AS1057	F16	X5406	55987				3101307	365SP94	2808205 2232205
AS1058	F16		59502 72617		2448315 8871758				
AS1060L	F21	L2976					878774		
AS1060R	F21	J2974					878773		

SPECIFICATIONS OF NCB AXLES

SHAFT NO.	TYPE	LENGTH	SPLINE O.D.	FLANGE O.D.	BOLT CIRCLE	STUD BOLT HOLES			
						QTY	SIZE	STR	TAPER
AS1048	F16	39	1.875	6-3/16	5-5/16	8	9/16		8
AS1049	F16	41-5/16	1.980	6-1/8	5-1/4	12	9/16		12
AS1051	F22	39-7/8	2.302	8-1/2	7	8	49/64	8	
AS1052	F16	40-1/8	2.125	8-1/2	7	8	49/64	8	
AS1053	F16	38-7/16	1.8756	6-1/4	5-5/16	8	33/64		8
AS1054	F19	38-3/16	1.770	6-1/8	5-1/8	8	29/64		8
AS1055	F23	35-1/16	1.498	4-3/4	3-31/32	8	29/64		8
AS1056	F19	38-1/16	1.770	5-15/16	5-3/64	8	29/64		8
AS1057	F16	38-3/4	1.875	5-15/16	5-3/64	8	29/64		8
AS1058	F16	39-1/2	1.875	6-3/6	5-5/16	8	9/16		8
AS1060L	F21	34-3/4	2.000	6-7/16	5-11316	12	15/32		12
AS1060R	F21	46	2.000	6-7/16	5-11/16	12	15/32		12

Heavy Duty Axle Shafts

NCB AXLE SHAFT NUMBER TO ORIGINAL EQUIPMENT MANUFACTURER NUMBER

NCB NO.	TYPE	ROC.	EATON	FORD	GMC CHEVY	NAVISTAR	WHITE	MACK	DODGE
AS1063	F16		64130	C3TZ4234P		288345C1 352528C1	891918		
AS1068	F16	D4450							2960024
AS1070	F30								3491431 3633824 4036684
AS1076	F35								3633829
AS1077	F35								2910941
AS1078	F35								2952475
AS1080	F20	B4448							2960026
AS1081	F16		81683						2960025
AS1083	F16		81216	D7HZ4234A	669415		330305002		
AS1084L	F24	Z3666		D8HZ4234E	795824	581594C1	893514	365SP91	
AS1084R	F24	A3667		D8HZ4234D	795825		893515	365SP90	
AS1087	F16		62166		2461392		330305037		3496240
AS1088	F16			D3TZ4234N					
AS1089	F16			C9TZ4234C					
AS1090	F36	N6098 P6100		C8TZ4234E					
AS1091	F35			D5UZ4234E					

SPECIFICATIONS OF NCB AXLES

SHAFT NO.	TYPE	LENGTH	SPLINE O.D.	FLANGE O.D.	BOLT CIRCLE	STUD BOLT HOLES			
						QTY	SIZE	STR	TAPER
AS1063	F16	40-1/8	2.120	8-1/2	7	8	49/64	8	
AS1068	F16	38-5/8	1.875	6-1/4	5-5/16	8	33/64		8
AS1070	F30	34-5/16	1.292	4-3/4	3-31/32	8	29/64		8
AS1076	F35	36-15/16	1.500	4-3/4	3-31/32	8	29/64		8
AS1077	F35	36-1/8	1.500	4-3/4	3-31/32	8	29/64		8
AS1078	F35	36	1.500	5-1/4	4-3/8	6	33/64		8
AS1080	F20	37-15/16	1.875	6-3/16	5-5/16	8	33/64		8
AS1081	F16	39	1.875	6-3/16	5-5/16	8	33/64		8
AS1083	F16	41-11/16	2.125	8-1/2	7	8	41/64		8
AS1084L	F24	43-9/16	2.375	8-3/8	7	8	41/64		8
AS1084R	F24	38-1/16	2.375	8-3/8	7	8	41/64		8
AS1087	F16	41-5/16	2.125	8-1/2	7	8	41/64		8
AS1088	F16	33-5/16	1.310	4-3/4	3-31/32	8	29/64	8	
AS1089	F16	33-5/16	1.310	4-3/4	3-31/32	8	29/64	8	
AS1090	F36	38-7/16	1.835	6-1/4	5-5/16	8	33/64		8
AS1091	F35	34-1/8	1.500	4-3/4	3-31/32	8	29/64	8	

Heavy Duty Axle Shafts

NCB AXLE SHAFT NUMBER TO ORIGINAL EQUIPMENT MANUFACTURER NUMBER

NCB NO.	TYPE	ROC.	EATON	FORD	GMC CHEVY	NAVISTAR	WHITE	MACK	DODGE
AS1092	F35			D5UZ4234F					
AS1095	F35			D5TZ4234B					
AS1096	F30			D4TZ4234A					
AS1097	F30			D5TZ4234A					
AS1098	F16		88987						3893152
AS1099	F16					455462C1			
AS1100	F16					455463C1			
AS1101L	F41	N6358		D8HZ4234C	791454	799567C1	Q27075387		
AS1101S	F41	L6356		D8HZ4234B	791453	799568C1	Q27075386		
AS1102	F16					455461C1			
AS1103	F16					455460C1			
AS1104	F16		76917			792886C1	330305056		
AS1105	F16					455464C1			
AS1106	F34	T7820		E0HZ4234D					
AS1107	F36			E0HZ4234A					
AS1108	F19	E7415		D6TZ4235A	793224				
AS1109	F39	D6712		D7HZ4234C		573296C1			

SPECIFICATIONS OF NCB AXLES

SHAFT NO.	TYPE	LENGTH	SPLINE O.D.	FLANGE O.D.	BOLT CIRCLE	STUD BOLT HOLES			
						QTY	SIZE	STR	TAPER
AS1092	F35	37-1/2	1.500	4-3/4	3-31/32	8	29/64	8	
AS1095	F35	35-1/8	1.500	4-3/4	3-31/32	8	29/64	8	
AS1096	F30	34-11/16	1.292	4-3/4	3-31/32	8	29/64	8	
AS1097	F30	33-5/16	1.250	4-3/4	3-31/32	8	29/64	8	
AS1098	F16	40-1/2	1.875	6-1/8	5-1/4	12	37/64		12
AS1099	F16	38-5/8	1.745	6-3/16	5.225	8	37/64	8	
AS1100	F16	39-1/2	1.875 Straight	6-3/16	5.225	8	37/64	8	
AS1101L	F41	42-3/8	2.100	8-1/2	7	8	41/64		8
AS1101S	F41	38-3/8	2.100	8-1/2	7	8	41/64		8
AS1102	F16	39-1/2	1.875 Taper	6-3/16	5.225	8	37/64	8	
AS1103	F16	38-5/8	1.750	6-3/16	5.225	8	37/64	8	
AS1104	F16	41-5/16	2.125	8-1/2	7	8	41/64	8	
AS1105	F16	39-15/16	1.875	6-3/16	5.225	8	37/64	8	
AS1106	F34	36-5/16	1.750	5-9/16	4-3/4	8	29/64		8
AS1107	F36	38-11/16	1.835	6-1/4	5-5/16	8	33/64		8
AS1108	F19	36-5/16	1.770	5-9/16	4-3/4	8	29/64		8
AS1109	F39	38-3/4	2.000	6-1/4	5-5/16	8	17/32		8

Heavy Duty Axle Shafts

NCB AXLE SHAFT NUMBER TO ORIGINAL EQUIPMENT MANUFACTURER NUMBER

NCB NO.	TYPE	ROC.	EATON	FORD	GMC CHEVY	NAVISTAR	WHITE	MACK	DODGE
AS1110	F39	P7816		E0HZ4234C					
AS1111	F50	F6792 Y8189		D7HZ4234F		4884418C1			
AS1112L	F46	W6783		D7HZ4234J		496682C1			
AS1112R	F46	G6780		D7HZ4234H		496683C1			
AS1113	F46	G6767		D7HZ4234E		485472C1			
AS1114	F22		99024	D7HZ4234B	2010874	577243C1	330305016		
AS1115	F46	F6766		D7HZ4234D		485473C1			
AS1122	F39	F7572		E0HZ4234B E3HZ4234C	2088183		V1111164		4037914 2096038
AS1123L	F41	N6358				799567C1			
AS1123R	F41	L6356				799568C1			
AS1124L	F24				94025968				
AS1124R	F24				94025967				
AS1125	F29				794363				
AS1126L	F24	T6728			2033901	471822C1			
AS1126S	F24	U6729			2033902	471821C1			
AS1127	F39	S7975			2064176				

SPECIFICATIONS OF NCB AXLES

SHAFT NO.	TYPE	LENGTH	SPLINE O.D.	FLANGE O.D.	BOLT CIRCLE	STUD BOLT HOLES			
						QTY	SIZE	STR	TAPER
AS1110	F34	38-3/8	1.750	6-1/8	5-1/8	8	29/64		8
AS1111	F50	37-9/16	2.540	8-3/8	7	8	41/64		8
AS1112L	F46	46-7/16	2.340	8-3/8	7	8	41/64		8
AS1112R	F46	35	2.340	8-3/8	7	8	41/64		8
AS1113	F46	45-1/8	2.340	8-3/8	7	8	41/64		8
AS1114	F22	41-1/4	2.290	8-1/2	7	8	41/64		8
AS1115	F46	37-3/8	2.340	8-3/8	7	8	41/64		8
AS1122	F39	40-13/16	2.000	6-1/4	5-1/4	12	17/32		12
AS1123L	F41	42-1/2	2.100	8-3/8	7	8	41/64		8
AS1123R	F41	38-3/8	2.100	8-3/8	7	8	41/64		8
AS1124L	F24	43-9/16	2.062	6-1/8	5-1/4	12	17/32		12
AS1124R	F24	37-9/16	2.062	6-1/8	5-1/4	12	17/32		12
AS1125	F29	40-11/16	1.860	6-3/16	5-1/4	12	17/32		12
AS1126L	F24	43-3/16	2.370	8-3/8	7	8	41/64		8
AS1126S	F24	38	2.370	8-3/8	7	8	41/64		8
AS1127	F39	38-3/4	2.000	6-1/4	5-1/4	8	33/64		8

Heavy Duty Axle Shafts

NCB AXLE SHAFT NUMBER TO ORIGINAL EQUIPMENT MANUFACTURER NUMBER

NCB NO.	TYPE	ROC.	EATON	FORD	GMC CHEVY	NAVISTAR	WHITE	MACK	DODGE
AS1128	F22		79005				027090062		
AS1129	F23		88192	E1HZ4234A	2014079		027092513		
AS1130	F50	G6793 Z8190		D7HZ4234G		484417C2 484420C2			
AS1131	F16		79130 80929			792927C1	31109544 027091269		2953172
AS1132	F36		111348		2084246				
AS1133	F36		110881 111347	E1HZ4234B			330305068		
AS1134	F39		110882	E1HZ4234C			330305054		
AS1135	F41		110883 110884	E1HZ4234D	2099148 15585167		330305045 330305046		
AS1136	F36		110885	E1HZ4234E	2095394	592439C1	330305041		
AS1137	F34		110880	E1HZ4234F					
AS1138	F36		110890	E2HZ4234A	2099842				
AS1139	F36		113645	E3HZ4234B			330305075		
AS1140	F39		110886		2093185		330305078		
AS1141	F34		111544		2078076				
AS1142	F36		111545		2078077				
AS1143L	F39	Q8181		E3HZ4234D	15515252	592500C1	330305052		

SPECIFICATIONS OF NCB AXLES

SHAFT NO.	TYPE	LENGTH	SPLINE O.D.	FLANGE O.D.	BOLT CIRCLE	STUD BOLT HOLES			
						QTY	SIZE	STR	TAPER
AS1128	F22	407/8	2.298	8-1/2	7	8	41/64	8	
AS1129	F33	41-7/16	2.125	8-1/2	7	8	41/64		8
AS1130	F50	45-5/8	2.540	8-3/8	7	8	41/64		8
AS1131	F16	40-3/4	2.125	7-15/32	6-1/2	12	33/64	6	6
AS1132	F36	38-3/8	1.850	6-1/4	5-5/16	8	33/64		8
AS1133	F36	38-3/8	1.850	6-1/4	5-5/16	8	33/64		8
AS1134	F39	40-7/8	2.000	6-1/8	5-1/4	12	17/32		12
AS1135	F41	41-1/2	2.100	8-1/2	7	8	41/64		8
AS1136	F36	41-1/2	2.312	8-1/2	7	8	41/64		8
AS1137	F34	38-3/16	1.750	6-1/8	5-1/8	8	29/64		8
AS1138	F36	41-1/8	2.312	8-1/2	7	8	41/64		8
AS1139	F36	40-9/16	1.850	6-1/8	5-1/4	12	17/32		12
AS1140	F39	41-5/16	2.000	6-1/8	5-1/4	12	17/32		12
AS1141	F34	38-3/4	1.850	6-1/4	5-5/16	8	33/64		8
AS1142	F36	38-11/16	1.850	6-1/4	5-5/16	8	33/64		8
AS1143L	F39	42-5/16	2.000	6-1/4	5-1/4	12	17/32		12

NCB AXLE SHAFT NUMBER TO ORIGINAL EQUIPMENT MANUFACTURER NUMBER

NCB NO.	TYPE	ROC.	EATON	FORD	GMC CHEVY	NAVISTAR	WHITE	MACK	DODGE
AS1143S	F39	R8182		C3HZ4234E	155152959	592501C1	330305053		
AS1144	F33		91133						
AS1145L	F24	Z7384			2017542	466122C1	330305001		
AS1145R	F24	C7387			2017541	466121C1	330305000		
AS1146	F34	P8050			2088210				
AS1147	F34	Q8051			2086307				
AS1148	F39	J8070			2086366 2099893				
AS1149	F32	N8048			2088185				
AS1150	F39		119594			578778C1			
AS1151	F41		119595			577506C1			
AS1152L	F41					577504C1			
AS1152R	F41					577505C1			
AS1153	F36		113335						
AS1154	F36					571348C1			
AS1155L	F39					578776C1			
AS1155R	F39					578777C1			
AS1156	F41					571350C1			

SPECIFICATIONS OF NCB AXLES

SHAFT NO.	TYPE	LENGTH	SPLINE O.D.	FLANGE O.D.	BOLT CIRCLE	STUD BOLT HOLES			
						QTY	SIZE	STR	TAPER
AS1143S	F39	38-5/16	2.000	6-1/4	5-1/4	12	17/32		12
AS1144	F33	41-7/16	2.125	8-1/2	7	8	41/64	8	
AS1145L	F24	38-3/4	2.375	8-3/8	7	8	41/64		8
AS1145R	F24	44-1/2	2.375	8-3/8	7	8	41/64		8
AS1146	F34	38-1/2	1.750	5-5/8	4-3/4	8	5/8		8
AS1147	F34	38-5/16	1.750	6-1/4	5-5/16	8	5/8		8
AS1148	F39	38-3/16	2.000	6-1/4	5-5/16	8	5/8		8
AS1149	F32	38-1/8	1.650	5-5/8	4-3/4	8	5/8		8
AS1150	F39	41	2.000	6-5/8	5-1/2	8	41/64	8	
AS1151	F41	40-3/4	2.100	8-1/2	7	8	49/64	8	
AS1152L	F41	42-3/4	2.100	8-1/2	7	8	49/64	8	
AS1152R	F41	37-3/4	2.100	8-1/2	7	8	49/64	8	
AS1153	F36	40-11/16	2.312	8-1/2	7	8	49/64	8	
AS1154	F36	39-7/8	1.850	6-3/16	5.225	8	37/64	8	
AS1155L	F39	43-1/8	2.000	6-5/8	5-1/2	8	41/64	8	
AS1155R	F39	38-1/8	2.000	6-5/8	5-1/2	8	41/64	8	
AS1156	F41	40-3/16	2.100	8-1/2	7	8	49/64	8	

Heavy Duty Axle Shafts

NCB AXLE SHAFT NUMBER TO ORIGINAL EQUIPMENT MANUFACTURER NUMBER

NCB NO.	TYPE	ROC.	EATON	FORD	GMC CHEVY	NAVISTAR	WHITE	MACK	DODGE
AS1157	F46					571351C1			
AS1158	F36		119593			577549C1			
AS1159L	F24	B3512 V6054			2095179 793937	574508C1 521710C1	027093212		
AS1159R	F24	X6056			2095180	574507C1	33030522		
AS1160	F34		119592			577548C1			
AS1161	F39					571349C1			
AS1162L	F30				3977383				
AS1162R	F30				3977384				
AS1163	F36					571347C1			
AS1164	F41			E4HZ4234B	15510267				
AS1165L	F16					463338C1			
AS1166	F39	M8983		E6HZ4234E					
AS1167	F34		118866	E6HZ4234A					
AS1168	F36	101431-5		E6HZ4234A					
AS1169	F39	101437-4		E6HZ4234B					

SPECIFICATIONS OF NCB AXLES

SHAFT NO.	TYPE	LENGTH	SPLINE O.D.	FLANGE O.D.	BOLT CIRCLE	STUD BOLT HOLES			
						QTY	SIZE	STR	TAPER
AS1157	F46	40-1/8	2.350	8-1/2	7	8	49/64	8	
AS1158	F36	39-3/8	1.850	6-3/16	5.225	8	37/64	8	
AS1159L	F24	39-3/8	2.375	8-3/8	7	8	41/64		8
AS1159R	F24	41-5/8	2.375	8-3/8	7	8	41/64		8
AS1160	F34	38-5/8	1.750	6-3/16	5.225	8	37/64	8	
AS1161	F39	40-5/8	2.000	6-5/8	5-1/2	8	41/64	8	
AS1162L	F30	31-11/16	1.550	4-1/2	3.562	8	33/64	8	
AS1162R	F30	37-9/16	1.550	4-1/2	3.562	8	33/64	8	
AS1163	F36	39-1/8	1.850	6-3/16	5.225	8	37/64	8	
AS1164	F41	41	2.100	8-1/2	7	8	41/64		8
AS1165L	F16	38	1.745	6-3/16	5.225	8	37/64	8	
AS1165R	F16	39	1.745	6-3/16	5.225	8	37/64	8	
AS1166	F39	39-3/4	2.000	6-1/4	5-1/4	12	17/32		12
AS1167	F34	38-1/4	1.750	6-1/4	5-5/16	8	5/8		8
AS1168	F36	40-11/16	1.850	6-1/4	5-1/4	12	17/32		12
AS1169	F39	41	2.000	8-3/8	7	8	41/64		8

Heavy Duty Axle Shafts

NCB AXLE SHAFT NUMBER TO ORIGINAL EQUIPMENT MANUFACTURER NUMBER

NCB NO.	TYPE	ROC.	EATON	FORD	GMC CHEVY	NAVISTAR	WHITE	MACK	DODGE
AS1170	F41	B8790		E6HZ4234C		1648891C1			
AS1171	F41	Z8788		E6HZ4234D		1648890C1			
AS1172	F34	Q8389		E0HZ4234E					
AS1173	F41	P8362							
AS1174L	F34	F9002		E7HZ4234A					
AS1174R	F34	E9001		E7HZ4234B					
AS1175L	F36	L8904		E7HZ4234F					
AS1175R	F36	J8902		E7HZ4234E					
AS1176L	F36	B9050		E7HZ4234D					
AS1176R	F36	C9051		E7HZ4234C					
AS1177	F41	T9042		E7HZ4234G	15617637				
AS1178	F41	S9041		E7HZ4234H	15617636				
AS1179	F41	U9043		E8HZ4234A					
AS1180	F39	W8915		E7HZ4234J					
AS1181	F39	Q8935		E9HZ4234G					
AS1182	F46	G9003		E7HZ4234K	15575921	1651230C1			
AS1183	F46	Q8805		E7HZ4234L	15575920	1651231C1			

SPECIFICATIONS OF NCB AXLES

SHAFT NO.	TYPE	LENGTH	SPLINE O.D.	FLANGE O.D.	BOLT CIRCLE	STUD BOLT HOLES			
						QTY	SIZE	STR	TAPER
AS1170	F41	41-1/4	2.092	8-3/8	7	8	41/64		8
AS1171	F41	40-3/8	2.092	8-3/8	7	8	41/64		8
AS1172	F41	38-1/4	1.750	6-1/4	5-5/16	8	5/8		8
AS1173	F41	40-7/8	2.100	8-3/8	7	8	41/64		8
AS1174R	F34	38-5/8	1.750	6-1/4	5-5/16	8	33/64		8
AS1174L	F34	37-1/4	1.750	6-1/4	5-5/16	8	33/64		8
AS1175L	F36	40-7/16	1.850	6-1/4	5-1/4	12	17/32		12
AS1175R	F36	41-7/16	1.850	6-1/4	5-1/4	12	17/32		12
AS1176L	F36	38-1/16	1.850	6-1/4	5-1/4	12	17/32		12
AS1176R	F36	44-1/16	1.850	6-1/4	5-1/4	12	17/32		17
AS1177	F41	44-1/16	2.100	8-3/8	7	8	41/64		8
AS1178	F41	38-1/8	2.100	8-3/8	7	8	41/64		8
AS1179*	F41	44-1/16	2.100	8-3/8	7	8	41/64		8
AS1180	F39	41	2.000	8-3/8	7	8	41/64		8
AS1181	F39	40-3/16	2.000	8-3/8	7	8	41/64		8
AS1182	F46	43-7/8	2.340	8-3/8	7	8	41/64		8
AS1183	F46	37-5/16	2.340	8-3/8	7	8	41/64		8

*Double Spline

Heavy Duty Axle Shafts

NCB AXLE SHAFT NUMBER TO ORIGINAL EQUIPMENT MANUFACTURER NUMBER

NCB NO.	TYPE	ROC.	EATON	FORD	GMC CHEVY	NAVISTAR	WHITE	MACK	DODGE
AS1184	F46	B8816		E8HZ4234B		1651232C1			
AS1185	F46	Y8111		E7HZ4234M	15576035				
AS1186	F46	W7745		E7HZ4234N	15583980				
AS1187	F46	H8666		E8HZ4234C					
AS1188	F41	Y88917		E7HZ4234P					
AS1189	F41	S8937		E9HZ4234H					
AS1190	F41	H9342		E9HZ4234A					
AS1191	F41	F9340		E9HZ4234K		1677098C1			
AS1192	F41	G9341		E9HZ4234J		1677099C1			
AS1193	F46	L9346		E9HZ4234B					
AS1194	F46	J9344		E9HZ4234M					
AS1195	F46	K9345		E9HZ4234L					
AS1196	F41	Q6361		E9HZ4234C					
AS1197	F41	C9519		E9HZ4234D					
AS1198	F39	Y9047		E9HZ4234E					
AS1199	F39	X9046		E9HZ4234F					
AS1200	F39		119627		15584538		33030-5074		

SPECIFICATIONS OF NCB AXLES

SHAFT NO.	TYPE	LENGTH	SPLINE O.D.	FLANGE O.D.	BOLT CIRCLE	STUD BOLT HOLES			
						QTY	SIZE	STR	TAPER
AS1184*	F46	44-1/8	2.340	8-3/8	7	8	41/64		8
AS1185*	F46	42-7/8	2.340	8-3/8	7	8	41/64		8
AS1186	F46	38-3/4	2.340	8-3/8	7	8	41/64		8
AS1187*	F46	43	2.340	8-3/8	7	8	41/64		8
AS1188	F41	41-1/8	2.100	8-3/8	7	8	41/64		8
AS1189	F41	40-3/8	2.100	8-3/8	7	8	41/64		8
AS1190*	F41	43-1/4	2.100	8-3/8	7	8	41/64		8
AS1191	F41	37-1/4	23100	8-3/8	7	8	41/64		8
AS1192	F41	43-1/4	2.100	8-3/8	7	8	41/64		8
AS1193*	F46	43-1/4	2.340	8-3/8	7	8	41/64		8
AS1194	F46	36-3/4	2.340	8-3/8	7	8	41/64		8
AS1195	F46	43	2.340	8-3/8	7	8	41/64		8
AS1196	F41	41-9/16	2.100	8-3/8	7	8	41/64		8
AS1197	F41	37-7/16	2.100	8-3/8	7	8	41/64		8
AS1198	F39	43-1/2	2.000	6-1/4	5-1/4	12	17/32		12
AS1199	F39	37-5/8	2.000	6-1/4	5-1/4	12	17/32		12
AS1200	F39	41-1/4	2.500	8-1/2	7	8	41/61		8

*Double Spline

Heavy Duty Axle Shafts

NCB AXLE SHAFT NUMBER TO ORIGINAL EQUIPMENT MANUFACTURER NUMBER

NCB NO.	TYPE	ROC.	EATON	FORD	GMC CHEVY	NAVISTAR	WHITE	MACK	DODGE
AS1201	F36		126274		15601462				
AS1202	F36		210512		15584981				
AS1203	F36		210628		15577003				
AS1204	F46	S6779		E9HZ4234N					
AS1205	F46	E9391		E9HZ4234R					
AS1206	F46	F9392		E9HZ4234P					
AS1207	F41		119595			596737C1			
AS1208	F36		119596			574679C1			
AS1209	F39		113889 119949			1608185C1			
AS1210	F33		113334			577538C1			
AS1211	F24	C8141				574555C1			
AS1212L	J17							68KH316P2	
AS1212S	J17							68KH316P1	
AS1213L	J17							68KH3202P1	
AS1213S	J17							68KH3202P2	

SPECIFICATIONS OF NCB AXLES

SHAFT NO.	TYPE	LENGTH	SPLINE O.D.	FLANGE O.D.	BOLT CIRCLE	STUD BOLT HOLES			
						QTY	SIZE	STR	TAPER
AS1201	F36	40-15/16	1.850	6-1.8	5-1/4	12	17/32		12
AS1202	F36	41-1/4	1.850	6-1.8	5-1/4	12	17/32		12
AS1203	F36	41-1/4	1.850	6-1.8	5-1/4	12	17/32		12
AS1204	F46	41-7/8	2.340	8-3/8	7	8	41/64		8
AS1205	F46		2.340	8-3/8	7	8	41/64		8
AS1206*	F46	41-15/16	2.340	8-3/8	7	8	41/64		8
AS1207	F41	40-3/4	2.100	8-7/8	7	8	25/32	8	
AS1208	F36	40-3/4	2.312	8-3/8	7	8	25/32	8	
AS1209	F39	40-9/16	2.500	8-3/8	7	8	25/32	8	
AS1210	F33	40-3/4	2.125	8-3/8	7	8	49/64	8	
AS1211	F24	40-1/16	2.375	8-3/8	7	8	19/64	8	
†AS1212L	J17	50-3/16	2.375						
†AS1212S	J17	39-11/16	2.375						
†AS1213S	J17	39-11/16	2.187						

†Dagger denotes lengths measured overall, NOT under flange.

*Double Spline

Heavy Duty Axle Shafts

NCB AXLE SHAFT NUMBER TO ORIGINAL EQUIPMENT MANUFACTURER NUMBER

NCB NO.	TYPE	ROC.	EATON	FORD	GMC CHEVY	NAVISTAR	WHITE	MACK	DODGE
AS1214			110888			512974C1			
AS1215			110889						
AS1216		Q9117				1665492C1			
AS1217		R9118				1665496C1			
AS1218		S9119				1686034C1			
AS1219		T9484							
AS1220		U9485							
AS1224			111778	E8HZ4234H		1686033C1			
AS1225			119628						
AS1226			127437						
AS1227			127438						
AS1228			128514						
AS1229			128515						
AS1230			129010						
AS1231			129011						
AS1232			210654		15535797				
AS1233								68KH48	
AS1234						1699568C1			
AS1235		G9393							

SPECIFICATIONS OF NCB AXLES

SHAFT NO.	TYPE	LENGTH	SPLINE O.D.	FLANGE O.D.	BOLT CIRCLE	STUD BOLT HOLES			
						QTY	SIZE	STR	TAPER
AS1214	F41	41-5/16	2.100	8.5	7	8	41/64	X	
AS1215	F36	40-7/8	2.310	8.5	7	8	41/64	X	
AS1216	F41	37-3/16	2.100	8.38	7	8	25/32	X	
AS1217	F41	43-9/64	2.100	8.38	7	8	25/32	X	
AS1218	F41	43-9/64	2.100	8.38	7	8	25/32		X
AS1219	F41	44	2.100	8.38	7	8	41/64	X	
AS1220	F41	44	2.100	8.38	7	8	41/64	X	
AS1224	F41	40-5/8	2.000	7.49	6.5	12	33/24		X
AS1225	F39	41-5/16	2.500	8.5	7	8	41/64	X	
AS1226	F41	39	2.100	8.5	7	8	41/64	X	
AS1227	F41	43-3/8	2.100	8.5	7	8	41/64	X	
AS1228	F41	38-3/32	2.100	8.5	7	8	25/32	X	
AS1229	F41	42-7/16	2.100	8.5	7	8	25/32	X	
AS1230	F39	38-1/2	2.000	6-1/8	5.25	12	17/32		X
AS1231	F39	42-5/8	2.000	6-1/8	5.25	12	17/32		X
AS1232	F36	40.91	1.850	6-1/8	5.25	12	25/32	X	
AS1233	F17	39-9/16	2.367	8.38	7	8	41/64		X
AS1234	F36	40-1/4	1.850	6.62	5-1/2	8	41/64	X	
AS1235	F46	37-3/8	2.350	8.38	7	8	41/64		X

NUMERICAL LISTING PRINCIPAL APPLICATION AND APPROXIMATE SHIPPING WEIGHT TRUCK AND BUS AXLES

Our No.	Application	Weight	Our No.	Application	Weight	Our No.	Application	Weight
AS649	Diamond T	51		GMC			Reo	
	Dodge			IHC		AS955	White	
	Federal			Kenworth			Autocar	27
	Ford			Peterbilt			Diamond T	
	GMC			Reo			Ford	
	IHC		AS864	White	42		GMC	
	Kenworth			Diamond T		AS957L-S	Reo	L-40
	Peterbilt		AS866	GMC	25		White	S-32
	Reo		AS892	White	40	AS959L-S	Mack	L-60.5
	White			IHC				S-42.5
AS655	IHC	26.5		Autocar		AS960L-S	Mack	L-40.5
AS664	IHC	14		Diamond T				S-34.5
AS681	Autocar	34		Dodge		AS965	Reo Army	25
	Diamond T			Ford			White	
	dodge			GMC		AS967R-L	Dodge	R-53
	Federal			IHC			GMC	L-46
	Reo			Reo			IHC	
	White		AS893	White	12		White	
AS691	Dodge	15		Ford	13	AS968	Chevrolet	27.5
AS691L-R	Dodge	L-12	AS894	Ford	L-40		GMC	
		R-16	AS895L-S	Mack	S-32	AS969	GMC	31
AS700	Dodge	22.5				AS972R-L	GMC	R-37.5
AS701R-L	Chevrolet	R-22.5	AS909	IHC	13		IHC	L-46
		L-19.5	AS917	Chevrolet	22.5		White	
AS703R-L	GMC	R-24.5	AS921	Autocar	43	AS983	IHC	41
		L-19		Diamond T		AS984R-L	IHC	R-30
AS729	GMC	46		Federal				L-34
	White			IHC		AS985	IHC	45
AS732A	Diamond T	34		Kenworth		AS989R-L	IHC	R-38
	IHC			Reo				L-42
	Reo		AS922	White	34	AS991	Dodge	12
	White			Autocar		AS995	Reo	28
AS749	Dodge	31		Diamond T		AS999	Autocar	51
	Ford			Federal			White	
	IHC			IHC		AS1012	GMC	44
	White			Kenworth		AS1015R-L	GMC	R-67
AS750R-L	Chevrolet	R-23.5		Reo			IHC	L-57
	GMC	L-19.5	AS932	White	17	AS1022R-L	Chevrolet	R-30.5
AS751R-L	Chevrolet	R-20.5	AS933	Ford	25			L-29
	GMC	L-17.5		Ford		AS1024	Ford	40
AS754R-L	Dodge	R-11		Reo			IHC	
		L-17.5		White		AS1025	White	29.5
AS755	Dodge	23	AS936	Chevrolet	19	AS1026	Chevrolet	29
AS758	Dodge	20.5		GMC			Autocar	
AS762	Ford	22.5	AS937	Chevrolet	26		Diamond T	
AS763A	IHC	27.5		GMC			Ford	
AS828	White	39.5	AS938R-L	Chevrolet	R-26.5		Reo	
AS834	Diamond T	40		GMC	L-25		White	
	IHC		AS950	Autocar	32	AS1028	Ford	31
	White			Diamond T			GMC	
AS837	IHC	28.5		Dodge			IHC	
AS842R	Chevrolet	31		Federal			White	
	Diamond T			IHC		AS1030	Ford	17.5
	GMC			Reo		AS1037	Dodge	51
	Reo			White			Diamond T	
	White		AS951	Autocar	38.5		Ford	
AS843	IHC	18.5		Diamond T			GMC	
AS844	IHC	23		Dodge			IHC	
AS845	IHC	25.5		Federal			Kenworth	
AS846	IHC	23		IHC			Peterbilt	
	White			Kenworth			Reo	
AS847	Chevrolet	29.5		Peterbilt			White	
	GMC			Reo		AS952	Diamond T	51
	White			White			Dodge	
AS854	White	49.5		Diamond T			Federal	
AS855	IHC	28.5		Dodge		AS1042	Dodge	47
AS858	GMC	22		Federal			GMC	
AS859R-L	Chevrolet	R-23		IHC			IHC	
	GMC	L-20.5		Reo			Reo	
AS863L-S	Autocar	L-56.5	AS953	White	45		White	
	Diamond T	S-47.5		Diamond T		AS1043	Dodge	45
	Federal			Ford			Ford	
	Ford			IHC				

Heavy Duty Axle Shafts

NUMERICAL LISTING PRINCIPAL APPLICATION AND APPROXIMATE SHIPPING WEIGHT TRUCK AND BUS AXLES

Our No.	Application	Weight	Our No.	Application	Weight	Our No.	Application	Weight
AS1044	GMC	31	AS1107	Ford	28	AS1161	IHC	35.5
	White		AS1108	Ford	23	AS1162L-R	GMC	L-15
	Mack		AS1109	Ford	33			R-17.5
AS1046	Reo	41	AS1110	Ford	25	AS1163	IHC	27.5
	White		AS1111	Ford	52	AS1164	GMC	46
AS1048	IHC	29	AS1112R-L	Ford	R-47			
AS1049	Chevrolet	32			L-60	AS1165R-L	IHC	R-23
	GMC				58.5			L-22.5
	White		AS1113	Ford		AS1166	Ford	34
AS1051	Chevrolet	45				AS1167	Ford	25
	GMC					AS1168	Ford	29
	White					AS1169	Ford	40
AS1052	Autocar	41	AS1115	Ford	51			
	Diamond T		AS1122	Dodge	34.5	AS1171	Ford	45
	Ford							
AS1053	IHC	28				AS1172	Ford	25
	White		AS1123L-R	IHC	L-46	AS1173		46
	Ford				R-43	AS1174R-L	Ford	R-28
AS1054	White	25	AS1124L-S	GMC	L-33			L-27
	Ford				S-29.5	AS1175R-L	Ford	R
AS1055	White	17	AS1125	GMC	28	AS1176R-L	Ford	L-32
AS1056	Dodge	25	AS1126L-S	GMC	L-53			R-33
	Ford				S-48			L-30
AS1057	Dodge	28	AS1127	GMC	33	AS1177	GMC	48
AS1058	White	30	AS1128	Freightliner	46			
	Chevrolet				Kenworth		AS1178	GMC
AS1060R-L	Peterbilt	R-41	AS1129	White	47			
	GMC						AS1179	Ford
AS1063	White	41				AS1180	Ford	41.5
	IHC		AS1130	Ford	59	AS1181	Ford	41
AS1068	White	29	AS1131	Dodge	38	AS1182	GMC	60
	Dodge				IHC			
AS1070	White	15				AS1183	GMC	50
AS1076	Dodge	18	AS1132	GMC	28			
AS1077	Dodge	17.5	AS1133	Ford	29	AS1184	Ford	59
AS1078	Dodge	19	AS1134	Ford	31			
AS1080	Dodge	28	AS1135	Ford	42.5	AS1185	GMC	58
AS1081	Dodge	30	AS1136	Ford	48			
AS1083	Ford	42.5				AS1186	GMC	53
AS1084R-L	GMC	R-48	AS1137	Ford	25			
	White		AS1138	Ford	47	AS1187	Ford	58
	Ford					AS1188	Ford	46
AS1085R-L	GMC	L-52	AS1139	Ford	29	AS1189	Ford	45
	White		AS1140	GMC	32	AS1190	Ford	48
AS1087	Dodge	R-11.5	AS1141	GMC	25.5	AS1191	Ford	41
	GMC		AS1142	GMC	28			
AS1088	White	42.5	AS1143L-R	Ford	L-36	AS1192	Ford	48
	IHC				L-33			
	Ford		AS1144	Eaton	47	AS1193	Ford	59
AS1089	White	14	AS1145R-L	GMC	R-54	AS1194	Ford	51
AS1090	Ford	12				AS1195	Ford	58
AS1091	Ford	27.5				AS1196	Ford	46
AS1092	Ford	17.5	AS1146	GMC	L-49	AS1197	Ford	43
AS1095	Ford	17	AS1147	GMC	23	AS1198	Ford	38
AS1096	Ford	12.5	AS1148	GMC	25	AS1199	Ford	
AS1097	Ford	13	AS1149	GMC	33	AS1200	GMC	57
AS1098	Dodge	29	AS1150	IHC	23	AS1201	GMC	34
AS1099	Ford	24	AS1151	IHC	35	AS1202	GMC	37
AS1100	IHC	28	AS1152L-R	IHC	42			
AS1101L-S	White	L-46			L-42.5	AS1203	GMC	29
	GMC				R-38-12	AS1204	Ford	58
AS1102	Kenworth	S-43	AS1153	IHC	47	AS1205	Ford	
	White					AS1206	Ford	58
	IHC					AS1207	IHC	42
AS1103	White	28	AS1154	IHC	28	AS1208	IHC	50
AS1104	IHC	24	AS1155L-R	IHC	L-37	AS1209	IHC	56
AS1105	IHC	42			R-33	AS1210	IHC	45
AS1106	White	28	AS1156	IHC	40.5	AS1211	IHC	55
	IHC		AS1157	IHC	51	AS1212L-S	Mack	L-45
	IHC	24	AS1158	IHC	28.5			
	IHC	28	AS1159L-R	GMC	L-52			
	Ford	23			R-54.5	AS1213L-S	Mack	S-36
			AS1160	IHC	24			L-40

To Identify a Heavy Duty Axle Shaft... follow these time saving steps:

1 Look for Manufacturers Numbers.

They are stamped as shown with the following codes:

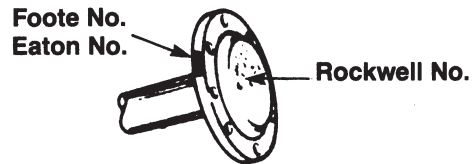
Foote = $\diamond F$ + 3 or 4 digit number

Eaton = 5 or 6 digit number

Rockwell = Letter + 4 digit number

If you are able to read these numbers clearly, phone your local Foote distributor listed below and give them the flange numbers to cross reference in

our catalog. The distributor can quickly give you the interchange number and cost.



2 If numbers are unavailable or illegible.

Measure diameter and count number of splines on shaft.

Measure diameter of bolt circle.

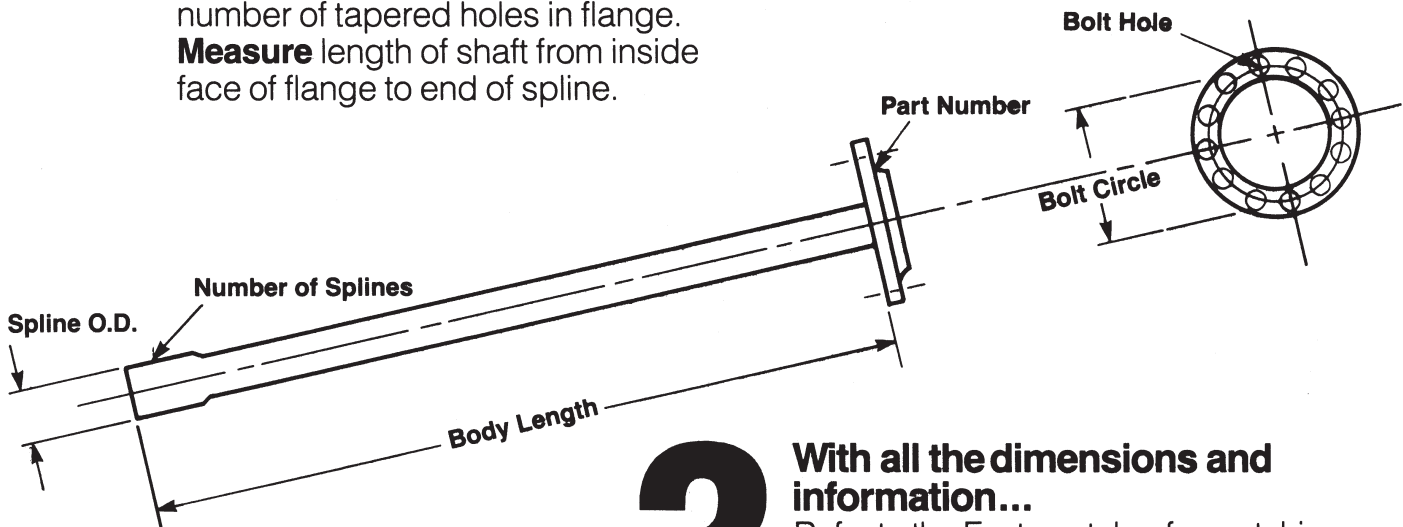
(Center of hole to center of hole on opposite side of flange.)

Count the number of straight and the number of tapered holes in flange.

Measure length of shaft from inside face of flange to end of spline.

Note whether flange is flat or dome shaped.

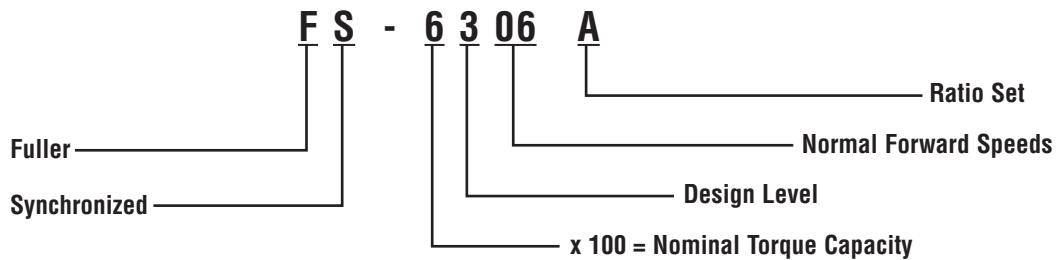
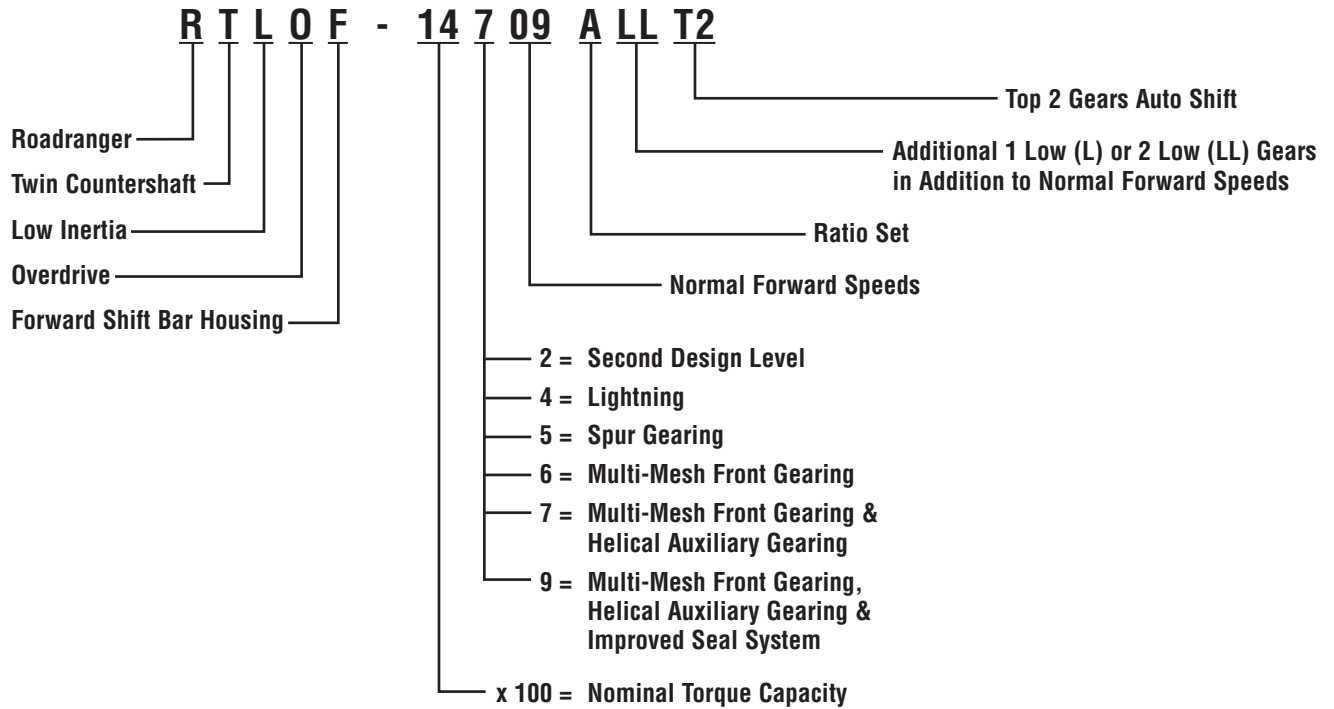
Note whether splines are straight or tapered.



3 With all the dimensions and information...

Refer to the Foote catalog for matching specifications or call your local Foote distributor listed below for assistance and availability. **One phone call is all it takes to cut your downtime.**

Clark/Eaton/Fuller Transmission Identification



Clark/Fuller Medium Duty Models

Clark 5-Speed Models

Model No.	Comments	Standard Kit	Suitcase Kit
250-V	1959 & Later	TRK-23	Not Available
250-VO	1959 & Later	TRK-23	Not Available
250-V18		TRK-23B	Not Available
251-V	1959 & Later	TRK-23	Not Available
251-VO	1959 & Later	TRK-23	Not Available
251-VO18		TRK-23B	Not Available
259-V		TRK-23B	Not Available
264-V	1959 & Later	TRK-23	Not Available
264-VO	1959 & Later	TRK-23	Not Available
264-VO48		TRK-23	Not Available
264-VO49		TRK-23	Not Available
265-V	1959 & Later	TRK-23	Not Available
265-VO	1959 & Later	TRK-23	Not Available
267-V	1959 & Later	TRK-23	Not Available
267-VO	1959 & Later	TRK-23	Not Available
268-V	1959 & Later	TRK-23	Not Available
269-V	1959 & Later w/ Narrow Output Shaft Brg.	TRK-23B	Not Available
269-V	1959 & Later w/o Narrow Output Shaft Brg.	TRK-23	Not Available
269-V35	1959 & Later	TRK-23	Not Available
280-V	1959 & Later	TRK-148	TRK-2127
280-VO	1959 & Later	TRK-148	TRK-2127
280-VO3	1959 & Later	TRK-148	TRK-2127
280-VO4	1959 & Later	TRK-148	TRK-2127
280-VO18	1959 & Later	TRK-148	TRK-2127
280-VHD	1959 & Later	TRK-190	TRK-2128
282-V		TRK-148	TRK-2127
282-V11		TRK-148	TRK-2127
282-V55		TRK-148	TRK-2127
282-VHD		TRK-190	TRK-2128
282-VHD2		TRK-190	TRK-2128
282-VHD12		TRK-190	TRK-2128
282-VHD13		TRK-190	TRK-2128
285-V		TRK-148	TRK-2127
285-V9		TRK-148	TRK-2127
285-V54		TRK-148	TRK-2127
285-VHD		TRK-190	TRK-2128
285-VHD2		TRK-190	TRK-2128
285-VHD13		TRK-190	TRK-2128
305-V		TRK-48	Not Available
307-V		TRK-48	Not Available
315-V		TRK-48	Not Available
318-V		TRK-48	Not Available
320-V		TRK-132	Not Available
325-V		TRK-132	Not Available
327-V		TRK-132	Not Available
328-V		TRK-132	Not Available
380-V		TRK-133	Not Available
380-VO		TRK-133	Not Available
381-V		TRK-133	Not Available
385-V		TRK-133	Not Available
387-V		TRK-133	Not Available
388-V		TRK-133	Not Available
390-V	1-1/2" Input Shaft & 2" Output Shaft	TRK-390F	TRK-2124
390-V	1-3/4" Input Shaft & 2" Output Shaft	TRK-390G	TRK-2125

Model No.	Comments	Standard Kit	Suitcase Kit
390-V	1-1/2" Input Shaft & 1-3/4" Output Shaft	TRK-390H	TRK-2126
397V	1-1/2" Input Shaft & 2" Output Shaft	TRK-390F	TRK-2124
397V	1-3/4" Input Shaft & 2" Output Shaft	TRK-390G	TRK-2125
397V	1-1/2" Input Shaft & 1-3/4" Output Shaft	TRK-390H	TRK-2126
2621-V	w/ Narrow Output Shaft Brg.	TRK-23B	Not Available
2621-V	w/o Narrow Output Shaft Brg.	TRK-23	Not Available
2621-V1	w/ Narrow Output Shaft Brg.	TRK-23B	Not Available
2621-V1	w/o Narrow Output Shaft Brg.	TRK-23	Not Available
2622-V7		TRK-23B	Not Available
2622-V12		TRK-23B	Not Available
2651-V	w/ Narrow Output Shaft Brg.	TRK-23B	Not Available
2651-V	w/o Narrow Output Shaft Brg.	TRK-23	Not Available
2651-V1	w/ Narrow Output Shaft Brg.	TRK-23B	Not Available
2651-V1	w/o Narrow Output Shaft Brg.	TRK-23	Not Available
2653-V		TRK-23B	Not Available
2653-V5		TRK-23B	Not Available
2653-V9		TRK-23B	Not Available
2653-V10		TRK-23B	Not Available
2653-VO		TRK-23B	Not Available
CL450	1-1/4" or 1-1/2" Input Shaft	TRK-208	TRK-2120
CL450	1-3/4" Input Shaft	TRK-208D	TRK-2129
CL455	1-1/4" or 1-1/2" Input Shaft	TRK-208	TRK-2120
CL455	1-3/4" Input Shaft	TRK-208D	TRK-2129
CL457	1-1/4" or 1-1/2" Input Shaft	TRK-208	TRK-2120
CL457	1-3/4" Input Shaft	TRK-208D	TRK-2129
CL550	1-1/2" Input Shaft & 2" Output Shaft	TRK-390F	TRK-2124
CL550	1-3/4" Input Shaft & 2" Output Shaft	TRK-390G	TRK-2125
CL550	1-1/2" Input Shaft & 1-3/4" Output Shaft	TRK-390H	TRK-2126
CL551	1-1/2" Input Shaft & 2" Output Shaft	TRK-390F	TRK-2124
CL551	1-3/4" Input Shaft & 2" Output Shaft	TRK-390G	TRK-2125
CL551	1-1/2" Input Shaft & 1-3/4" Output Shaft	TRK-390H	TRK-2126
CL557	1-1/2" Input Shaft & 2" Output Shaft	TRK-390F	TRK-2124
CL557	1-3/4" Input Shaft & 2" Output Shaft	TRK-390G	TRK-2125
CL557	1-1/2" Input Shaft & 1-3/4" Output Shaft	TRK-390H	TRK-2126
CL558	1-1/2" Input Shaft & 2" Output Shaft	TRK-390F	TRK-2124
CL558	1-3/4" Input Shaft & 2" Output Shaft	TRK-390G	TRK-2125
CL558	1-1/2" Input Shaft & 1-3/4" Output Shaft	TRK-390H	TRK-2126

Eaton/Fuller 5 Speeds

Model No.	Comments	Standard Kit	Suitcase Kit
FS-4005	1-3/8" or 1-1/2" Input Shaft	TRK-208	TRK-2120
FS-4005	1-3/4" Input Shaft	TRK-208D	TRK-2129
FS-4205	1-3/8" or 1-1/2" Input Shaft	TRK-208	TRK-2120
FS-4205	1-3/4" Input Shaft	TRK-208D	TRK-2129
FS-5005	1-1/2" Input Shaft & 2" Output Shaft	TRK-395F	TRK-2121
FS-5005	1-1/2" Input Shaft & 1-3/4" Output Shaft	TRK-395G	TRK-2122
FS-5005	1-3/4" Input Shaft & 2" Output Shaft	TRK-395H	TRK-2123
FS-5205	1-1/2" Input Shaft	Not Available	TRK-7032
FS-5205	1-3/4" Input Shaft	Not Available	TRK-7033
FS-6005		Not Available	TRK-2131
FS-6105		Not Available	TRK-2131
FS-6205		Not Available	TRK-7035
FS-6305		Not Available	TRK-7035

Eaton/Fuller Medium Duty Models

Eaton/Fuller 6 Speeds

Model No.	Comments	Standard Kit	Suitcase Kit
FS-5106		Not Available	TRK-2041
FS-5306		Not Available	TRK-7052
FS-5406		Not Available	TRK-3423
FS-6106		Not Available	TRK-1766
FS-6206		Not Available	TRK-2041
FS-6306		Not Available	TRK-7052

Model No.	Comments	Standard Kit	Suitcase Kit
FS-6406		Not Available	TRK-3423
FSO-6406		Not Available	TRK-3423
FS-7206		Not Available	TRK-2130
FS-8206		Not Available	TRK-2490
FSO-8206		Not Available	TRK-2464
FSO-8406		Not Available	TRK-3423

Eaton/Fuller Heavy Duty Models

2 Speed Auxiliary Models

Model No.	Comments	Standard Kit	Suitcase Kit
2-A-92		TRK-400	Not Available
AT-1202		TRK-401	Not Available

5-Speeds

Model No.	Comments	Standard Kit	Suitcase Kit
T-905		TRK-58	TRK-1852
T-955		TRK-1000	TRK-2780
T-11605		TRK-58A	TRK-1873

6-Speeds

Model No.	Comments	Standard Kit	Suitcase Kit
906		TRK-1000	TRK-2780
T-1056A		Not Available	TRK-1857
T-1056AA		Not Available	TRK-1857
T-11606		Not Available	TRK-1864

7-Speeds

Model No.	Comments	Standard Kit	Suitcase Kit
T-955LL		TRK-1000	TRK-2780
T-8607		Not Available	TRK-1877
T-11607		Not Available	TRK-2045
11707		Not Available	TRK-2771
T-14607		Not Available	TRK-2771

8-Speeds

Model No.	Comments	Standard Kit	Suitcase Kit
1157DL		TRK-188	TRK-1859
9508		TRK-1000	TRK-2780
11607L		TRK-201	TRK-1866
11608		TRK-203	TRK-2283
14608		TRK-205	TRK-1870

9-Speeds

Model No.	Comments	Standard Kit	Suitcase Kit
909		TRK-1000	TRK-2780
1157DLL		TRK-184	TRK-1860
6609		Not Available	TRK-2048
8608L		TRK-203	TRK-2283
8609		Not Available	TRK-1876
8709		Not Available	TRK-3322
9509		TRK-1000	TRK-2780
11509		Not Available	TRK-1858

9-Speeds Continued

Model No.	Comments	Standard Kit	Suitcase Kit
11609		TRK-202	TRK-2283
11607LL		TRK-203	TRK-2283
11707LL		Not Available	TRK-2045
11707DLL		Not Available	TRK-2045
11709	RT	Not Available	TRK-2049
11709	RTO/RTX	Not Available	TRK-2284
12509		TRK-160	TRK-1861
12609		TRK-203	TRK-2283
12709	RT	Not Available	TRK-2049
12709	RTO/RTX	Not Available	TRK-2284
13609		Not Available	TRK-2282
13707DLL		Not Available	TRK-2855
13707MLL		Not Available	TRK-2855
13709		Not Available	TRK-2284
14609		TRK-205	TRK-1870
14709		Not Available	TRK-2275
16609		Not Available	TRK-3586
16709		Not Available	TRK-2275
16709	RTOC	Not Available	TRK-3596
16909		Not Available	TRK-3598

10-Speeds

Model No.	Comments	Standard Kit	Suitcase Kit
510		TRK-145A	TRK-1850
610	w/ M1305GGTV Aux C/S Front Brg.	TRK-145	Not Available
610	w/ MR1206RUGV Aux C/S Front Brg.	TRK-145A	TRK-1850
910		TRK-1000	TRK-2780
958LL		TRK-1000	TRK-2780
1110		Not Available	TRK-2771
1258LL		TRK-159A	TRK-1863
6610	w/ M1305GGTV Aux C/S Front Brg.	TRK-145	Not Available
6610	w/ MR1206RUGV Aux C/S Front Brg.	TRK-145A	TRK-1850
7608LL		Not Available	TRK-2047
8908LL		Not Available	TRK-3273
9210	w/ Electronic Speedometer	Not Available	TRK-2924
9210	w/ Mechanical Speedometer	Not Available	TRK-3132
9710		Not Available	TRK-3322
11210	w/ Electronic Speedometer	Not Available	TRK-2924
11210	w/ Mechanical Speedometer	Not Available	TRK-3132
11608LL	RT	TRK-203	TRK-2283
11608LL	RTX	Not Available	TRK-3659
11610	RT	TRK-203	TRK-2283
11610	RTL	Not Available	TRK-2772
11708LL	RT	Not Available	TRK-2284
11708LL	RTX	Not Available	TRK-3660

Eaton/Fuller Heavy Duty Models

10-Speeds *Continued*

Model No.	Comments	Standard Kit	Suitcase Kit
11710	RT	Not Available	TRK-2049
11710	RTX	Not Available	TRK-2284
11908LL		Not Available	TRK-3256
12210	w/ Electronic Speedometer	Not Available	TRK-2924
12210	w/ Mechanical Speedometer	Not Available	TRK-3132
12510		TRK-160	TRK-1861
12610	All RT Models	TRK-203	TRK-2283
12610	All RTL Models	Not Available	TRK-2772
12710	All RT Models	Not Available	TRK-2049
12710	All RTX Models	Not Available	TRK-2284
13210	w/ Electronic Speedometer	Not Available	TRK-2924
13210	w/ Mechanical Speedometer	Not Available	TRK-3132
13610		Not Available	TRK-2772
13710		Not Available	TRK-2284
14210	w/ Electronic Speedometer	Not Available	TRK-2924
14210	w/ Mechanical Speedometer	Not Available	TRK-3132
14410		Not Available	TRK-3653
14608LL		TRK-207	TRK-1872
14610	All RT Models	TRK-205	TRK-1870
14610	A Ratio RTL Models	Not Available	TRK-2998
14610	B Ratio RTL Models	Not Available	TRK-2773
14708LL		Not Available	TRK-2043
14710	All RT Models	Not Available	TRK-2277
14710	All RTL Models	Not Available	TRK-3553
14908LL	Old design w/ 40mm Mainshaft Rear Brg.	Not Available	TRK-3256
14908LL	New design w/ 35mm Mainshaft Rear Brg.	Not Available	TRK-3233
15210	w/ Electronic Speedometer	Not Available	TRK-2924
15210	w/ Mechanical Speedometer	Not Available	TRK-3132
15410		Not Available	TRK-3653
15610		Not Available	TRK-2773
15710		Not Available	TRK-2277
16210	w/ Electronic Speedometer	Not Available	TRK-2924
16210	w/ Mechanical Speedometer	Not Available	TRK-3132
16410		Not Available	TRK-3653
16610		Not Available	TRK-2773
16710		Not Available	TRK-2277
16908LL		Not Available	TRK-3233
17210	w/ Electronic Speedometer	Not Available	TRK-2924
17210	w/ Mechanical Speedometer	Not Available	TRK-3132
17610		Not Available	TRK-2773
18210	w/ Electronic Speedometer	Not Available	TRK-2924
18210	w/ Mechanical Speedometer	Not Available	TRK-3132
18610		Not Available	TRK-2773

11-Speeds

Model No.	Comments	Standard Kit	Suitcase Kit
11709MLL		Not Available	TRK-2847
11909MLL		Not Available	TRK-3283
14709MLL		Not Available	TRK-2847
14909ALL	Old design w/ 40mm Mainshaft Rear Brg.	Not Available	TRK-3283
14909ALL	New design w/ 35mm Mainshaft Rear Brg.	Not Available	TRK-3413
14909MLL		Not Available	TRK-3283
16909ALL		Not Available	TRK-3413

13-Speeds

Model No.	Comments	Standard Kit	Suitcase Kit
613		TRK-146	TRK-1851
913		TRK-1000	TRK-1855
6613		TRK-146	TRK-1851
9513		TRK-1000	TRK-2780
11613	w/ Tapered Aux. Countershaft Brgs.	Not Available	TRK-2281
11613	w/o Tapered Aux. Countershaft Brgs.	TRK-203	TRK-2283
11813	w/ Tapered Aux. Countershaft Brgs.	Not Available	TRK-2281
11813	w/o Tapered Aux. Countershaft Brgs.	TRK-203	TRK-2283
12513	w/ 2 piece Aux. Countershaft Brgs.	TRK-149/2	Not Available
12513	w/ 1 piece Aux. Countershaft Brgs.	TRK-149	TRK-1862
12713		Not Available	TRK-2285
12913		Not Available	TRK-3351
14613	RT Models w/ Tapered Aux. Countershaft Brgs.	Not Available	TRK-2280
14613	RT Models w/ 2 piece Cylindrical Aux. Countershaft Brgs.	TRK-206/2	Not Available
14613	RT Models w/ 1 piece Cylindrical Aux. Countershaft Brgs.	TRK-206	TRK-1871
14613	All RTLO Models	Not Available	TRK-2996
14713		Not Available	TRK-2286
14813	w/ Tapered Aux. Countershaft Brgs.	Not Available	TRK-2280
14813	w/ 2 piece Cylindrical Aux. Countershaft Brgs.	TRK-206/2	Not Available
14813	w/ 1 piece Cylindrical Aux. Countershaft Brgs.	TRK-206	TRK-1871
14913		Not Available	TRK-3348
15613	w/ Tapered Aux. Countershaft Brgs.	Not Available	TRK-2280
15613	w/o Tapered Aux. Countershaft Brgs.	Not Available	TRK-1874
15813	w/ Tapered Aux. Countershaft Brgs.	Not Available	TRK-2280
15813	w/o Tapered Aux. Countershaft Brgs.	Not Available	TRK-1874
16713	w/ Serial # 51126220 & Lower	Not Available	TRK-2287
16713	w/ Serial # 5112622 & Higher or Beginning with a Letter	Not Available	TRK-3346
16713	T2 Models	Not Available	TRK-3596
16913		Not Available	TRK-3343
16913	T2 Models	Not Available	TRK-3426
18913	w/ Serial # 51267045 & Lower	Not Available	TRK-3286
18913	w/ Serial # 51267046 & Higher or Beginning with a Letter	Not Available	TRK-3426
20913		Not Available	TRK-3460

13 Speeds Aux Section Only

Model No.	Comments	Standard Kit	Suitcase Kit
9513AUX		TRK-1000AUX	TRK-1555
12513AUX	w/ 1 piece Cylindrical Aux. Countershaft Brgs.	TRK-149AUX	TRK-1554
12513AUX	w/ 2 piece Cylindrical Aux. Countershaft Brgs.	TRK-149AUX/2	Not Available
12713AUX		Not Available	TRK-2768
14613AUX	w/ Tapered Aux. Countershaft Brgs.	Not Available	TRK-2340
14613AUX	w/ 1 piece Cylindrical Aux. Countershaft Brgs.	TRK-149AUX	TRK-1554
14613AUX	w/ 2 piece Cylindrical Aux. Countershaft Brgs.	TRK-149AUX/2	Not Available
14713AUX		Not Available	TRK-2759

Transmission Index

Eaton/Fuller Heavy Duty Models

13 Speeds Aux Section Only <i>Continued</i>			
Model No.	Comments	Standard Kit	Suitcase Kit
14813AUX	w/ Tapered Aux. Countershaft Brgs.	Not Available	TRK-2340
14813AUX	w/ 1 piece Cylindrical Aux. Countershaft Brgs.	TRK-149AUX	TRK-1554
14813AUX	w/ 2 piece Cylindrical Aux. Countershaft Brgs.	TRK-149AUX/2	Not Available
15613AUX	w/ Tapered Aux. Countershaft Brgs.	Not Available	TRK-2340
15613AUX	w/ 1 piece Cylindrical Aux. Countershaft Brgs.	TRK-149AUX	TRK-1554
15613AUX	w/ 2 piece Cylindrical Aux. Countershaft Brgs.	TRK-149AUX/2	Not Available
15813AUX	w/ Tapered Aux. Countershaft Brgs.	Not Available	TRK-2340
15813AUX	w/ 1 piece Cylindrical Aux. Countershaft Brgs.	TRK-149AUX	TRK-1554
15813AUX	w/ 2 piece Cylindrical Aux. Countershaft Brgs.	TRK-149AUX/2	Not Available
16713AUX	w/ Serial # 51267045 & Lower	Not Available	TRK-2769
16713AUX	w/ Serial # 51267046 & Higher or Beginning with a Letter	Not Available	TRK-3344

15 Speeds			
Model No.	Comments	Standard Kit	Suitcase Kit
915		TRK-1000	TRK-2780
11615		TRK-203	TRK-3659
11715		Not Available	TRK-3660
12515		TRK-159A	TRK-1863
14615		TRK-207	TRK-1872
14715		Not Available	TRK-2043
14915	Old design w/ 40mm Mainshaft Rear Brg.	Not Available	TRK-3256
14915	New design w/ 35mm Mainshaft Rear Brg.	Not Available	TRK-3233
15615		TRK-202	TRK-1875
15715		Not Available	TRK-2043
16915		Not Available	TRK-3233

18 Speeds			
Model No.	Comments	Standard Kit	Suitcase Kit
9118		Not Available	TRK-1871
14618		Not Available	TRK-2996
14718		Not Available	TRK-2288
14918		Not Available	TRK-3355
15618		Not Available	TRK-2997
16618		Not Available	TRK-2996
16718		Not Available	TRK-2288
16918		Not Available	TRK-3340
18718		Not Available	TRK-2865
18918		Not Available	TRK-3340
20918		Not Available	TRK-3340
22918		Not Available	TRK-3462

18 Speeds Aux Section Only			
Model No.	Comments	Standard Kit	Suitcase Kit
14718AUX		Not Available	TRK-2769
15618AUX		Not Available	TRK-1993
16618AUX		Not Available	TRK-2338
16718AUX		Not Available	TRK-2769
18718AUX		Not Available	TRK-2769

GMC Index

Model	Comments	Speed	Kit No.	Kit No. With Rings
CH465	Early/Late	4	TRK-157A	TRK-157AWS
CH465	1979 - 1990	4	TRK-157L	TRK-157LWS
CH465	1990 and Later	4	TRK-157B	TRK-157BWS
SM465	Early/Late	4	TRK-157A	TRK-157AWS
SM465	1979 and Later	4	TRK-157L	TRK-157LWS

International Harvester/Navistar Index

Model	Comments	Speed	Kit
T32		5	TRK-156
T33		5	TRK-156
T34		5	TRK-156
T35		5	TRK-156
T36		5	TRK-156
T494		5	TRK-156
T495		5	TRK-156
T496		5	TRK-156
T698		5	TRK-183
T699		5	TRK-183

Mack Index

Model	Comments	Speed	Kit
TRQP72	w/o Clutch Brake	20	TRK-65
TR107		5	TRK-185
TRDXL107		6	TRK-500
TRTXL107	Super Duty	12	TRK-213SD
TRXL107		6	TRK-187
TRXL107A		6	TRK-187
TC150	Transfer Case	-	TRK-504
TRQ720	w/o Clutch Brake	20	TRK-65
TRQP720	w/o Clutch Brake	20	TRK-65
TRDL1070		10	TRK-187
TRTXL1070		12	TRK-213
TRTXL1070	Super Duty	12	TRK-213SD
TRXL1070		-	TRK-502
TRTXL1070B		12	TRK-213
TRXL1071		6	TRK-187
TRXL1071A		6	TRK-187
TRL1076		5	TRK-185
TRL1078		5	TRK-185
T2090		9	TRK-214
T2050		5	TRK-503
T2060		6	TRK-214
T2060	Master Kit	6	TRK-214MK
T2070		7	TRK-214
T2070	Master Kit	7	TRK-214MK
T2080		8	TRK-214
T2090		9	TRK-214
T2090	Master Kit	9	TRK-214MK
T2100		10	TRK-214
T2100	Master Kit	10	TRK-214MK
T2130		13	TRK-214
T2130	Master Kit	13	TRK-214MK
T2180		18	TRK-214
T2180	Master Kit	18	TRK-214MK1
TRQ7210	w/o Clutch Brake	20	TRK-65
TRQL7220	w/o Clutch Brake	20	TRK-65
TRXL10710		-	TRK-502
TRL10760		-	TRK-501
TRL10780		-	TRK-501

Meritor/Rockwell

Model No.	Comments	Kit	Model No.	Comments	Kit
RM9-115	Design Level 2 w/ Serial # LB93017865 and Higher	TRK-5356	RM10-145	Design Level 2 w/ Serial # LB93017865 and Higher	TRK-5357
RM9-125	Design Level 2 w/ Serial # LB93017865 and Higher	TRK-5356	RM10-155	Design Level 2 w/ Serial # LB93017865 and Higher	TRK-5357
RM9-135	Design Level 2 w/ Serial # LB93017865 and Higher	TRK-5357	RM10-165	Design Level 2 w/ Serial # LB93017865 and Higher	TRK-5357
RM9-145	Design Level 2 w/ Serial # LB93017865 and Higher	TRK-5357	RM13-145	Design Level 2 w/ Serial # LB93017865 and Higher	TRK-5358
RM9-155	Design Level 2 w/ Serial # LB93017865 and Higher	TRK-5357	M-15G9		TRK-5406
RM10-115	Design Level 2 w/ Serial # LB93017865 and Higher	TRK-5356	M-15G10		TRK-5406
RM10-125	Design Level 2 w/ Serial # LB93017865 and Higher	TRK-5356	MO-14G9		TRK-5406
RM10-135	Design Level 2 w/ Serial # LB93017865 and Higher	TRK-5357	MO-15G9		TRK-5406
			MO-16G10		TRK-5406

New Process Transmissions

Model No.	Speed	Comments	Kit	Model No.	Speed	Comments	Kit
435	4	w/ Tapered Bearing on Drive Shaft	TRK-127	541G	5	Late	TRK-29
435	4	Ford only w/ Tapered Bearing on Drive Shaft	TRK-127F	541GD	5	Early	TRK-27
435	4	w/ Ball Bearing on Drive Shaft	TRK-127G	541GD	5	Late	TRK-29
435FE	4	w/ Tapered Bearing on Drive Shaft	TRK-127	541GD24	5	Early	TRK-27
435FL	4	w/ Tapered Bearing on Drive Shaft	TRK-127	541GD24	5	Late	TRK-29
435GL	4	w/ Tapered Bearing on Drive Shaft	TRK-127	541GL	5	Early	TRK-27
436	4	w/ Tapered Bearing on Drive Shaft	TRK-127	541GL	5	Late	TRK-29
436	4	Ford only w/ Tapered Bearing on Drive Shaft	TRK-127F	541GO	5	Early	TRK-27
436	4	w/ Ball Bearing on Drive Shaft	TRK-127G	541GO	5	Late	TRK-29
540	5		TRK-27	541GO-11	5	Early	TRK-27
540C	5		TRK-27	541GO-11	5	Late	TRK-29
540D	5		TRK-27	542	5	Early	TRK-27
540G	5		TRK-27	542	5	Late (Exc. Ford)	TRK-29
540GD	5		TRK-27	542	5	Late (w/Ford)	TRK-29B
540GL	5		TRK-27	542D	5	w/GMC	TRK-29
540GO	5		TRK-27	542FD	5	Early	TRK-27
541	5	Early	TRK-27	542FD	5	Late (Exc. Ford)	TRK-29
541	5	Late (Exc. Ford)	TRK-29	542FD	5	Late (w/Ford)	TRK-29B
541DD11	5		TRK-29	542FL	5	Early	TRK-27
541DD12	5		TRK-29	542FL	5	Late (Exc. Ford)	TRK-29
541DD13	5		TRK-29	542FL	5	Late (w/Ford)	TRK-29B
541DD14	5		TRK-29	542FO	5	Early	TRK-27
541DD15	5		TRK-29	542FO	5	Late (Exc. Ford)	TRK-29
541DD16	5		TRK-29	542FO	5	Late (w/Ford)	TRK-29B
541DD17	5		TRK-29	542GD	5	w/GMC	TRK-29
541FD	5	Early	TRK-27	542GL	5	w/GMC	TRK-29
541FD	5	Late	TRK-29	542L	5	w/GMC	TRK-29
541FL	5	Early	TRK-27	4590(IH)	4		TRK-174
541FL	5	Late	TRK-29	7531	5		TRK-177
541FO	5	Early	TRK-27	7550	5		TRK-177
541FO	5	Late	TRK-29	7551	5		TRK-177
541G	5	Early	TRK-27	7590	5		TRK-177
				7591	5		TRK-177

New Process Transfer Cases

Model No.	Speed	Comments	Kit	Model No.	Speed	Comments	Kit
202	2		TRK-165	208	2	w/Dodge & GMC	TRK-212
203	2		TRK-209	208	2	Except Dodge & GMC	TRK-212FA
205	2	w/3.1496" O.D. Input Bearing	TRK-172	218	2		TRK-212FA
205	2	w/3.5433" O.D. Input Bearing	TRK-172FG	219	2		TRK-212FA

Spicer/TTC Transmissions

Model No.	Speed	Comments	Kit	Model No.	Speed	Comments	Kit
1007	7		TRK-189	8012	12		TRK-74
1272	7		TRK-189	8016	16		TRK-74
1010	10		TRK-152	8051	5	w/ Spherical Pilot Bearing, except some late models	TRK-2
1020	20		TRK-189	8051	5	w/ Cylindrical Pilot Bearing, except some late models	TRK-2A
1052	5		TRK-147	8055	5	w/ Spherical Pilot Bearing, except some late models	TRK-2
1062	6		TRK-147	8055	5	w/ Cylindrical Pilot Bearing, except some late models	TRK-2A
1064	6		TRK-147	8212	12		TRK-74
1107	7		TRK-181	8216	16		TRK-74
1207	7		TRK-191	8251	5	w/ Spherical Pilot Bearing, except some late models	TRK-2
1214	14		TRK-189	8251	5	w/ Cylindrical Pilot Bearing, except some late models	TRK-2A
1252	5		TRK-147	8255	5	w/ Spherical Pilot Bearing, except some late models	TRK-2
1253	5		TRK-147	8255	5	w/ Cylindrical Pilot Bearing, except some late models	TRK-2A
1262	6		TRK-147	8516	16		TRK-130
1263	6		TRK-147	8542	4		TRK-139
1272	7		TRK-189	8544	4		TRK-139
1352	5		TRK-192	8552	5		TRK-140
1362	6		TRK-192	8553	5		TRK-141
1364	6		TRK-192	8554	5		TRK-140
1372	7		TRK-193	8555	5		TRK-141
1412	12		TRK-194	8716	16		TRK-130
1414	14		TRK-194	8742	4		TRK-139
1420	20		TRK-194	8744	4		TRK-139
1452	5		TRK-192	8753	5		TRK-141
1453	5		TRK-192	8755	5		TRK-141
1463	6		TRK-192	8842	4		TRK-139
4054	5		TRK-210	8844	4		TRK-139
4652	5		TRK-28	CM40	5		TRK-210
4752	5		TRK-28	CM49	5		TRK-221
4753	5		TRK-28	CM50	5		TRK-180
4756	5		TRK-28	CM55	5		TRK-180
4852	5		TRK-28	CM60	5		TRK-186
4853	5		TRK-28	CM62	5		TRK-186
4954	5		TRK-221	CM4054	5		TRK-210
5052	5		TRK-180	CM4954	5		TRK-221
5252	5		TRK-180	CM5052	5		TRK-180
5552	5		TRK-180	CM5252	5		TRK-180
5650	5		TRK-28	CM5552	5		TRK-180
5652	5		TRK-28	CM5852	5		TRK-180
5750	5		TRK-28	CM5952	5		TRK-180
5752	5		TRK-28	CM6052	5		TRK-186
5753	5		TRK-28	CM6253	5		TRK-186
5756	5		TRK-28	ES066-7B	7		TRK-222
5850	5		TRK-28	ES42-5	5		TRK-219
5852	5		TRK-180	ES43-5	5		TRK-221
5853	5		TRK-28	ES46-5A	5		TRK-704
6052	5		TRK-186	ES52-5	5		TRK-221
6252	5		TRK-186	ES52-7	7		TRK-222
6253	5		TRK-186	ES53-5	5		TRK-221
6350	5		TRK-72	ES56-5A	5		TRK-704
6352	5		TRK-72	ES56-7	7		TRK-222
6354	5		TRK-72	ES60-5	5		TRK-180
6450	5		TRK-72	ES62-5	5		TRK-180
6452	5		TRK-72	ES65-5	5		TRK-186
6453	5		TRK-72	ES65-7	7		TRK-222
6454	5		TRK-72	ES066-7	7		TRK-222
6455	5		TRK-72	ES70-5	5		TRK-186
6456	5		TRK-72	LLPS145-10	10		TRK-700
6458	5		TRK-72	LLPS0140-10	10		TRK-700
6850	5		TRK-72	LLPS0150-10	10		TRK-700
6852	5		TRK-72	LPS100-10	10		TRK-700
6853	5		TRK-72	LPS125-10	10		TRK-700
6854	5		TRK-72	LPS135-10	10		TRK-700
6855	5		TRK-72	LPS145-10	10		TRK-700
7041	4		TRK-73	LPS0125-10	10		TRK-700

Spicer/TTC Transmissions

Model No.	Speed	Comments	Kit
LPS0140-10	10		TRK-700
LPS0150-10	10		TRK-700
PS100-10	10		TRK-700
PS105-7LL	7		TRK-705
PS110-7	7		TRK-702
PS125-10	10		TRK-700
PS125-9	9		TRK-700
PS130-6L	6		TRK-705
PS135-10	10		TRK-700
PS145-10	10		TRK-700
PS145-7	7		TRK-702
PS95-9	9		TRK-700
PS97-7	7		TRK-706
PSO100-10	10		TRK-700
PSO125-10	10		TRK-700
PSO140-10	10		TRK-700
PSO140-9	9		TRK-700

Model No.	Speed	Comments	Kit
PSO150-10	10		TRK-700
PSO150-16	16		TRK-194
PSO150-9	9		TRK-700
PSO165-10	10		TRK-700
PSO165-16	16		TRK-194
PSO175-16	16		TRK-194
SST5	5	Old Version	TRK-147
SST6	6	Old Version	TRK-147
SST6	6	New Version	TRK-192
SST6+1	7	New Version	TRK-191
SST7	7	Old Version	TRK-181
SST7	7	New Version	TRK-193
SST10	10	Old Version	TRK-152
SST12	12	New Version	TRK-194
SST14	14	Old Version	TRK-189
SST14	14	New Version	TRK-194
SST20	20		TRK-189

Spicer/TTC Auxiliary Transmissions

Model No.	Speed	Comments	Kit
AMO1000	4		TRK-703
APO1000	4		TRK-703
1241	4		TRK-158
AMO1750	4		TRK-703
APO1750	4		TRK-703
6041	4		TRK-70
7041	4		TRK-73
7231	3		TRK-86
8031	3	w/ Steel Caged Bearings	TRK-3
8031	3	w/ Bronze Caged Bearings	TRK-4

Model No.	Speed	Comments	Kit
8035	3	w/ Steel Caged Bearings	TRK-3
8035	3	w/ Bronze Caged Bearings	TRK-4
8341	4	w/ Steel Caged Bearings	TRK-3
8341	4	w/ Bronze Caged Bearings	TRK-4
8341L	4		TRK-155
R8341C	4		TRK-155
R8341L	4		TRK-155
RP8341	4		TRK-155
8345	4	w/ Steel Caged Bearings	TRK-3
8345	4	w/ Bronze Caged Bearings	TRK-4

Spicer/TTC Power Take Offs for Auxiliary Transmissions

Model No.	Comments	Kit
AMO1000	Tapered Output Bearings	TRK-707
AMO1000	Cylindrical Output Bearings	TRK-226
APO1000	Tapered Output Bearings	TRK-707
APO1000	Cylindrical Output Bearings	TRK-226
1241	Tapered Output Bearings	TRK-707
1241	Cylindrical Output Bearings	TRK-226
AMO1750	Tapered Output Bearings	TRK-707
AMO1750	Cylindrical Output Bearings	TRK-226
APO1750	Tapered Output Bearings	TRK-707
APO1750	Cylindrical Output Bearings	TRK-226

Model No.	Comments	Kit
7041	Tapered Output Bearings	TRK-708
7041	Cylindrical Output Bearings	TRK-709
8031	Tapered Output Bearings	TRK-708
8031	Cylindrical Output Bearings	TRK-709
R8031	Tapered Output Bearings	TRK-708
R8031	Cylindrical Output Bearings	TRK-709
8341	Tapered Output Bearings	TRK-708
8341	Cylindrical Output Bearings	TRK-709
R8341	Tapered Output Bearings	TRK-708
R8341	Cylindrical Output Bearings	TRK-709

Warner Index

Model No.	Speed	Comments	Kit
T18	4	w/Willys Jeep	TRK-82F
T18	4	w/Ford	TRK-82F
T184	4	w/I.H.	TRK-82D
T18A	4	w/Willys Jeep	TRK-82F
T18A	4	w/Ford	TRK-82F
T18A	4	w/I.H.	TRK-82D
T18B	4	w/Willys Jeep	TRK-82F
T18B	4	w/Ford	TRK-82F
T18B	4	w/I.H.	TRK-82D
T18C	4	w/Willys Jeep	TRK-82F
T18C	4	w/Ford	TRK-82F
T18C	4	w/I.H.	TRK-82D

Model No.	Speed	Comments	Kit
T19	4	w/Ford (GAS)	TRK-82F
T19	4	w/Ford (Diesel)	TRK-82FD
T19	4	w/I.H.	TRK-82D
T19A	4	w/Ford (GAS)	TRK-82F
T19A	4	w/Ford (Diesel)	TRK-82FD
T19A	4	w/I.H.	TRK-82D
T98	4	w/.9055" Wide Driveshaft Bearing	TRK-82
T98A	4	w/.9055" Wide Driveshaft Bearing w/LH PTO	TRK-82
T98B	4	w/.9055" Wide Driveshaft Bearing	TRK-82
T98D	4	w/.9055" Wide Driveshaft Bearing	TRK-82

Transfer Case Index

Fabco

Fabco transfer cases are available with multiple combinations of the options for the particular model. Rebuild kits are for individual sections of the transfer case. You will need to purchase kits for each individual section that are applicable to your transfer case.

Model No.	Comments	Kit	Model No.	Comments	Kit
TC-170	Upper Shaft w/ PTO	TCRK-170A	TC-170PD	Upper Shaft w/ PTO	TCRK-170A
	Upper Shaft w/o PTO	TCRK-170A1		Upper Shaft w/o PTO	TCRK-170A1
	Intermediate Shaft w/ & w/o Lube Pump	TCRK-170B		Intermediate Shaft w/ & w/o Lube Pump	TCRK-170B
	Lower Shaft w/ Neutral	TCRK-170C		Lower Shaft w/ Proportional Differential	TCRK-170C2
	Lower Shaft w/o Neutral	TCRK-170C1			

Meritor/Rockwell

Rockwell transfer cases have sub model numbers that specify what options each transfer case are equipped with. Rebuild kits contain all of the bearings and seals for the particular sub model.

Model No.	Comments	Kit	Model No.	Comments	Kit
T-32-42		TCRK-933	T-223-H31		TCRK-903
T-32-43		TCRK-933	T-223-H33		TCRK-903
T-32-46		TCRK-931	T-223-H39		TCRK-902
T-32-47		TCRK-933	T-223-H40		TCRK-903
T-32-57		TCRK-933	T-223-H41		TCRK-903
T-32-63		TCRK-933	T-223-H42		TCRK-903
T-32-65		TCRK-932	T-223-H43		TCRK-903
T-32-69		TCRK-933	T-223-H44		TCRK-902
T-32-70		TCRK-933	T-223-H45		TCRK-903
T-32-75		TCRK-931	T-223-H52		TCRK-903
T-32-78		TCRK-931	T-223-H53		TCRK-903
T-32-79		TCRK-933	T-223-H54		TCRK-903
T-32-80		TCRK-933	T-223-H55		TCRK-903
T-32-83		TCRK-932	T-223-H56		TCRK-903
T-32-84		TCRK-931	T-223-H57		TCRK-903
T-32-85		TCRK-931	T-223-M4		TCRK-900
T-32-86		TCRK-931	T-226-26		TCRK-906
T-32-87		TCRK-931	T-226-28		TCRK-906
T-32-88		TCRK-931	T-226-41		TCRK-906
T-221-A1		TCRK-221	T-226-65		TCRK-906
T-221-M6		TCRK-221	T-226-69		TCRK-906
T-221-M7		TCRK-221	T-226-80		TCRK-906
T-221-N4		TCRK-221	T-226-83		TCRK-906
T-223-A84		TCRK-900	T-226-85		TCRK-906
T-223-A88		TCRK-900	T-226-86		TCRK-906
T-223-A89		TCRK-900	T-226-103		TCRK-907
T-223-A90		TCRK-900	T-226-118		TCRK-906
T-223-A92		TCRK-900	T-226-132		TCRK-909
T-223-A94		TCRK-900	T-226-133		TCRK-908
T-223-A102		TCRK-903	T-226-136		TCRK-906
T-223-A103		TCRK-900	T-226-138		TCRK-907
T-223-A104		TCRK-900	T-226-139		TCRK-906
T-223-A105		TCRK-900	T-226-140		TCRK-906
T-223-C22		TCRK-900	T-226-148		TCRK-908
T-223-C35		TCRK-903	T-226-149		TCRK-909
T-223-C41		TCRK-901	T-226-155		TCRK-906
T-223-C42		TCRK-903	T-226-156		TCRK-906
T-223-C43		TCRK-901	T-226-159		TCRK-913
T-223-C44		TCRK-901	T-226-160		TCRK-906
T-223-E22		TCRK-900	T-226-161		TCRK-907
T-223-E23		TCRK-900	T-226-163		TCRK-906
T-223-H29		TCRK-903	T-226-164		TCRK-906

Meritor/Rockwell

Model No.	Comments	Kit
T-226-166		TCRK-906
T-226-167		TCRK-913
T-226-168		TCRK-907
T-226-169		TCRK-907
T-226-170		TCRK-906
T-226-171		TCRK-907
T-226-172		TCRK-908
T-226-173		TCRK-907
T-226-174		TCRK-906
T-226-175		TCRK-906
T-226-176		TCRK-913
T-226-177		TCRK-906
T-226-A1		TCRK-904
T-226-A12		TCRK-904
T-226-A13		TCRK-904
T-226-A16		TCRK-904
T-226-A22		TCRK-905
T-226-A23		TCRK-904
T-226-AB1		TCRK-904
T-226-AB3		TCRK-904
T-226-AB5		TCRK-905
T-226-B28		TCRK-906
T-226-B30		TCRK-906
T-226-B48		TCRK-906
T-226-B67		TCRK-906
T-226-B68		TCRK-906
T-226-B70		TCRK-906
T-226-B73		TCRK-906
T-226-B74		TCRK-906
T-226-B76		TCRK-906
T-226-B77		TCRK-906
T-226-B78		TCRK-906
T-226-B79		TCRK-906
T-226-B80		TCRK-906
T-226-C17		TCRK-904
T-226-C3		TCRK-904
T-226-CB12		TCRK-904
T-226-CB13		TCRK-905
T-226-CB4		TCRK-904
T-226-CB9		TCRK-905
T-226-D4		TCRK-906
T-226-D6		TCRK-907
T-226-E26		TCRK-917
T-226-E33		TCRK-917
T-226-E38		TCRK-910
T-226-E43		TCRK-917
T-226-E45		TCRK-910
T-226-E49		TCRK-917
T-226-E50		TCRK-910
T-226-E51		TCRK-910
T-226-E7		TCRK-917
T-226-F		TCRK-916
T-226-F19		TCRK-916
T-226-F2		TCRK-916
T-226-F20		TCRK-916
T-226-F25		TCRK-916
T-226-F26		TCRK-916
T-226-F31		TCRK-916

Meritor/Rockwell

Model No.	Comments	Kit
T-226-F33		TCRK-916
T-226-F34		TCRK-915
T-226-G		TCRK-906
T-226-G1		TCRK-906
T-226-G3		TCRK-906
T-226-H		TCRK-913
T-226-H3		TCRK-913
T-226-HB		TCRK-913
T-226-HB1		TCRK-913
T-226-J		TCRK-911
T-226-K4		TCRK-913
T-226-K7		TCRK-913
T-226-L		TCRK-913
T-226-L1		TCRK-913
T-226-L10		TCRK-913
T-226-L19		TCRK-913
T-226-L30		TCRK-913
T-226-L35		TCRK-913
T-226-L37		TCRK-914
T-226-L4		TCRK-913
T-226-L40		TCRK-914
T-226-L42		TCRK-913
T-226-L43		TCRK-913
T-226-L45		TCRK-913
T-226-L46		TCRK-913
T-226-L47		TCRK-913
T-226-L48		TCRK-913
T-226-L49		TCRK-913
T-226-L50		TCRK-913
T-226-L51		TCRK-913
T-226-L52		TCRK-914
T-226-L53		TCRK-913
T-226-L54		TCRK-913
T-226-L8		TCRK-913
T-226-M		TCRK-913
T-226-M1		TCRK-913
T-226-M3		TCRK-913
T-226-M4		TCRK-913
T-226-M5		TCRK-913
T-226-N		TCRK-911
T-226-N1		TCRK-912
T-226-N2		TCRK-912
T-226-P4		TCRK-913
T-226-P7		TCRK-913
T-226-Q		TCRK-913
T-226-Q1		TCRK-913
T-226-Q2		TCRK-914
T-226-R10		TCRK-918
T-226-R11		TCRK-918
T-226-R8		TCRK-918
T-226-S		TCRK-913
T-226-S1		TCRK-913
T-226-T		TCRK-911
T-226-T1		TCRK-911
T-226-W		TCRK-904
T-228-12		TCRK-919
T-228-19		TCRK-922
T-228-36		TCRK-919

Transfer Case Index

Meritor/Rockwell

Model No.	Comments	Kit
T-228-37		TCRK-922
T-228-D25		TCRK-920
T-228-D27		TCRK-920
T-228-D31		TCRK-920
T-228-D38		TCRK-920
T-228-D58		TCRK-920
T-228-D60		TCRK-920
T-228-D77		TCRK-920
T-228-D81		TCRK-920
T-228-D82		TCRK-920
T-228-D85		TCRK-921
T-228-D88		TCRK-921
T-228-D89		TCRK-920
T-228-D90		TCRK-920
T-228-D92		TCRK-920
T-228-D93		TCRK-920
T-228-D94		TCRK-920
T-228-D95		TCRK-920
T-228-D97		TCRK-920
T-228-D98		TCRK-920
T-228-D99		TCRK-920
T-228-D100		TCRK-921

Meritor/Rockwell

Model No.	Comments	Kit
T-228-D101		TCRK-920
T-228-D102		TCRK-920
T-228-D103		TCRK-920
T-228-D104		TCRK-920
T-228-D106		TCRK-921
T-228-D107		TCRK-920
T-228-D108		TCRK-920
T-228-D109		TCRK-920
T-228-E		TCRK-925
T-228-E1		TCRK-925
T-228-F		TCRK-920
T-228-F1		TCRK-921
T-228-F2		TCRK-920
T-228-PD16		TCRK-923
T-228-PD37		TCRK-923
T-228-PD38		TCRK-924
T-2120-D		TCRK-926
TG-2213	Built 6/01 & Prior	TCRK-927
TG-2213	Built After 6/01	TCRK-928
MTC-4208		TCRK-929
MTC-4210		TCRK-929
MTC-4213		TCRK-930



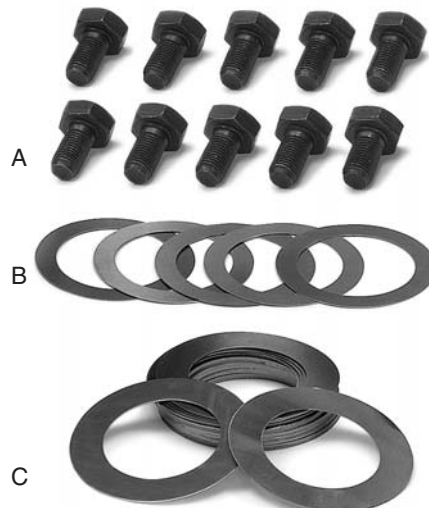
DT Differential Rebuild Kits are available in two levels of content

Standard Rebuild Kits Contain:

- Pinion Head & Tail Bearings
- Pinion Nose Bearing (where applicable)
- Differential Bearings
- Pinion Seal
- Pinion Nut
- Crush Sleeve or Shims to Set Pinion Bearings Pre-Load
- RTV Sealant for the Differential Cover
- Gear Marking Compound & Brush to Check Gear Tooth Contact Pattern

Master Rebuild Kits Contain:

- Everything in a Standard Rebuild Kit
- (A) Ring Gear Bolts
- (B) Pinion Adjusting Shims to Adjust Pinion Depth
- (C) Differential Shims to Adjust the Ring & Pinion Back Lash and Set Differential Bearings Pre-Load



Stackable differential shims are available as a kit upgrade on popular applications.

Axle Identification

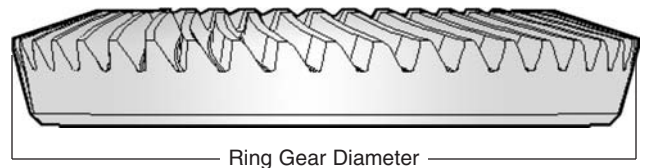
Accurate axle identification is critical when ordering repair parts for rear axles in car, truck & SUV applications as well as for front axles used in four wheel drive truck & SUV applications. The axles used in each individual vehicle can vary based on vehicle options. For example, a typical GM 1/2-ton truck will be equipped with the GM 8.5" axle, but this same truck may be built with a larger GM 9.5" axle if optioned with a larger engine, heavy duty chassis or towing packages. Therefore, the axle must be identified by the vehicle owner or mechanic prior to ordering parts.

Vehicles can be equipped with either corporate axles (built by the vehicle manufacturer) or Dana axles. Corporate axles from Chrysler, Ford & GM are identified by the ring gear diameter and are frequently referred to as a "Ford 8.8" or "GM 8.5". Ford axles may have an identification tag that specifies ring gear diameter and ratio.

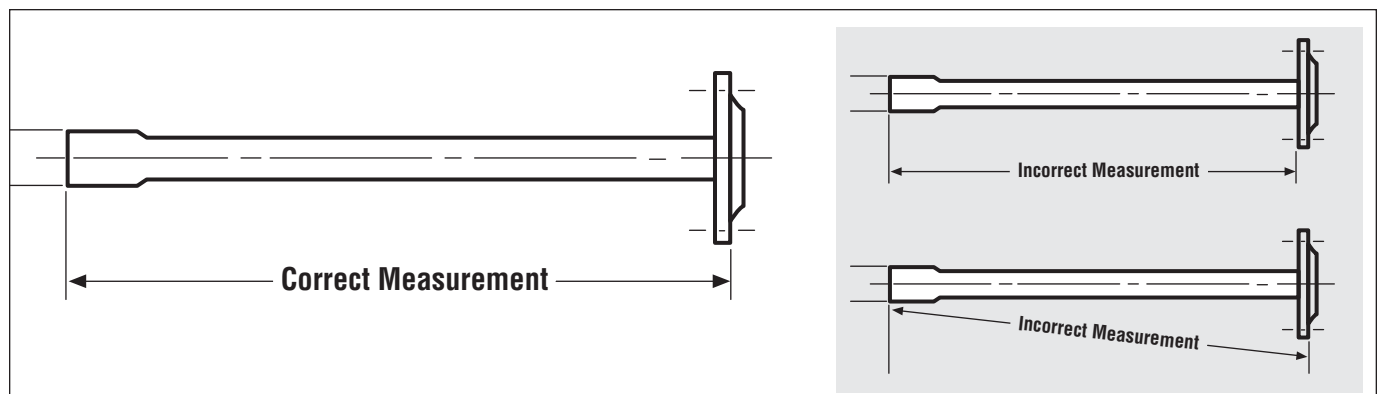
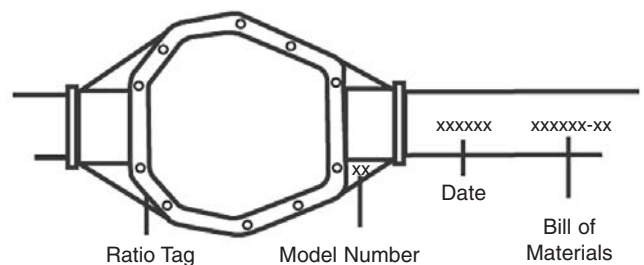
Most corporate axles can be easily identified by the bolt pattern on the differential cover when you have more than one axle option for your vehicle. The following illustrations show the typical bolt pattern for the common corporate axles. You may still need to measure the ring gear diameter in order to positively identify the corporate axle.

To Determine Ring Gear Diameter

you need to measure the outside diameter of the ring gear.



Dana axles are identified by model number. The model number (i.e. "44") is usually cast into the webbing of the axle center housing as shown in the illustration below.

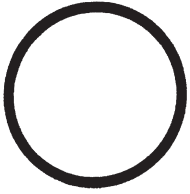


The illustration shows two diagrams of an axle shaft. The left diagram shows the "Correct Measurement" method, where a dimension line is drawn parallel to the shaft, starting from the outside edge of the flange and ending at the end of the shaft. The right diagram shows two "Incorrect Measurement" methods: one where the dimension line is drawn diagonally from the flange to the shaft end, and another where the dimension line is drawn from the flange to the end of the shaft but includes the brake pilot.

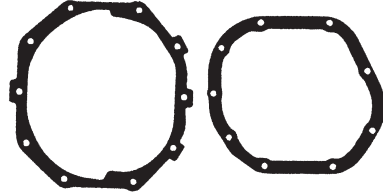
Measure the axle shaft from the outside edge of the flange to the end of the axle shaft. You must measure parallel to the axle shaft as shown and NOT diagonally from the flange to the axle shaft end. Do NOT include the brake pilot in your measurement.

Differential Gaskets

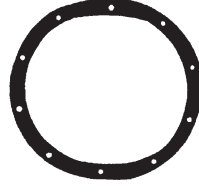
AMC 20
NO HOLES
10½" DIA.



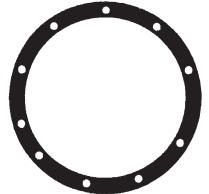
CHRYSLER 7.25"
10 HOLES 9 HOLES
(2 GASKETS IN SET)



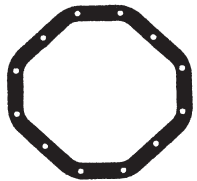
CHRYSLER 8.25"
10 HOLES
OVAL



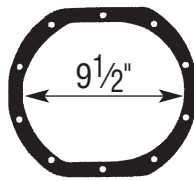
CHRYSLER 8.75"
10 HOLES
ROUND



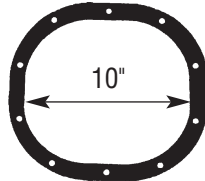
CHRYSLER 9.25"
12 HOLES



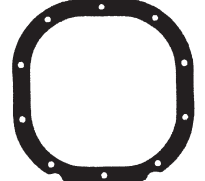
FORD 7.5"
10 HOLES



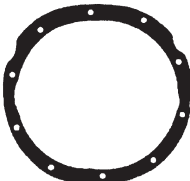
FORD 8"
10 HOLES



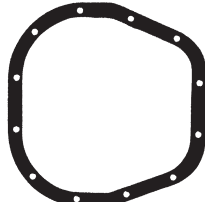
FORD 8.8"
10 HOLES



FORD 9"
10 HOLES



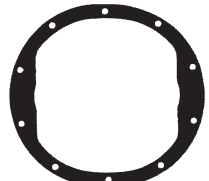
FORD 10.25"
12 HOLES



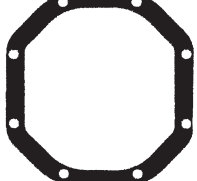
GM 7.5"
10 HOLES



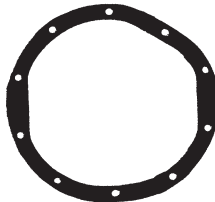
GM 8.5"
10 HOLES
All Exc. Corvette & 80-81 Truck



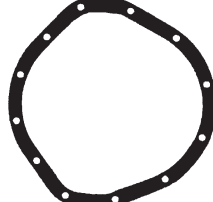
GM 8.5" CORVETTE
8 HOLES
CORVETTE



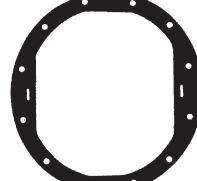
GM 8.5" TRUCK
10 HOLES
TRUCK (80-81)



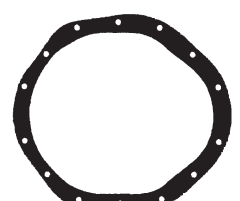
GM 8.875" TRUCK
12 HOLES
TRUCK



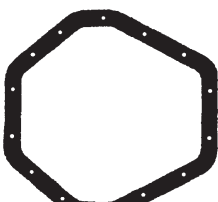
GM 8.875" AUTO
12 HOLES
CAR



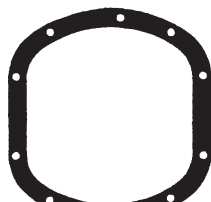
GM 9.5"
14 HOLES



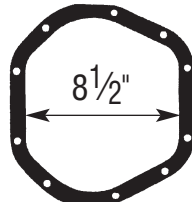
GM 10.5"
14 HOLES



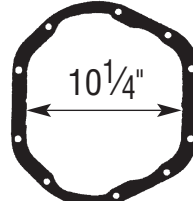
DANA 30, 36-ICA
10 HOLES



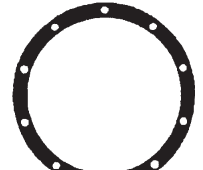
DANA 44
10 HOLES



DANA 60, 70
10 HOLES
DANA 60,70



TOYOTA 7.5", 8"
V6/TURBO
10 HOLES



Differential Gaskets

Differential Application by Vehicle

Make/Model	F-FRONT	Axle/Ring	Year	Standard Kit	Master Kit
	R-REAR	Gear Size			
AMC & JEEP					
Ambassador	R	AMC 20	68-74	DRK-311J	DRK-311JMK [▲]
AMX	R	AMC 20	68-79	DRK-311J	DRK-311JMK [▲]
AMX	R	Dana 35	80-88	DRK-335	DRK-335MK
Cherokee	F	Dana 30	81-01	DRK-334	DRK-334MK
Cherokee	F	Dana 44	78-85	DRK-339B	DRK-339BMK
Cherokee	R	8.25"	97-01	DRK-303A	DRK-303AMK
Cherokee	R	Dana 35	81-01	DRK-335	DRK-335MK
Cherokee	R	Dana 44	77-80	DRK-339B	DRK-339BMK
Comanche XJ	R	Dana 35	85-0n	DRK-335	DRK-335MK
Comanche XJ	R	Dana 44	86-93	DRK-339B	DRK-339BMK
Concord	R	AMC 20	78-79	DRK-311J	DRK-311JMK [▲]
Concord	R	Dana 35	80-88	DRK-335	DRK-335MK
Eagle	F	Dana 30	87-87-1/2	DRK-334	DRK-334MK
Eagle	R	Dana 35	80-88	DRK-335	DRK-335MK
Grand Cherokee WJ	F	Dana 30	99-0n	DRK-334C	DRK-334CMK
Grand Cherokee WJ	R	Dana 35	99-0n	DRK-335C	DRK-335CMK
Grand Cherokee WJ	R	Dana 44	99-0n	DRK-339A	DRK-339AMK
Grand Cherokee ZJ	F	Dana 30	92-96	DRK-334A	DRK-334AMK
Grand Cherokee ZJ	F	Dana 30	96-98	DRK-334TJ	DRK-334TJMK
Grand Cherokee ZJ	R	Dana 35	93-0n	DRK-335	DRK-335MK
Grand Wagoneer	F	Dana 44	85-91	DRK-339B	DRK-339BMK
Gremlin V8	R	AMC 20	70-76	DRK-311J	DRK-311JMK [▲]
Hornet V8	R	AMC 20	73-77	DRK-311J	DRK-311JMK [▲]
J10	R	AMC 20	80-86	DRK-311J	DRK-311JMK [▲]
J10, J20	F	Dana 44	78-87	DRK-339B	DRK-339BMK
J20	R	Dana 60	78-88	DRK-331	DRK-331MK
Javelin V8	R	AMC 20	70-74	DRK-311J	DRK-311JMK [▲]
Jeep CJ series	F	Dana 30	74-86	DRK-334	DRK-334MK
Jeep CJ series	R	AMC 20	76-86	DRK-311J	DRK-311JMK [▲]
Jeep CJ series	R	Dana 44	82-86	DRK-339B	DRK-339BMK
Jeep CJ series	R	Dana 60	82-85	DRK-331	DRK-331MK
Jeep XJ series	F	Dana 30	84-0n	DRK-334	DRK-334MK
Jeepster	F	Dana 30	72-73	DRK-334	DRK-334MK
Jeepster	R	Dana 44	72-73	DRK-339B	DRK-339BMK
Liberty	F	Dana	02-0n	DRK-340	DRK-340MK
Liberty	R	8.25"	02-0n	DRK-303	DRK-303MK
Liberty	R	Dana 35	02-0n	DRK-335C	DRK-335CMK
Marlin	R	AMC 20	69	DRK-311J	DRK-311JMK [▲]
Matador	R	AMC 20	72-78	DRK-311J	DRK-311JMK [▲]
Pacer	R	Dana 35	80-88	DRK-335	DRK-335MK
Pacer V8	R	AMC 20	78-79	DRK-311J	DRK-311JMK [▲]
Rambler	R	AMC 20	69	DRK-311J	DRK-311JMK [▲]
Rebel	R	AMC 20	69	DRK-311J	DRK-311JMK [▲]
Scrambler	R	AMC 20	76-86	DRK-311J	DRK-311JMK [▲]
Spirit	R	Dana 35	80-88	DRK-335	DRK-335MK
Spirit V8	R	AMC 20	79	DRK-311J	DRK-311JMK [▲]
Wagoneer	F	Dana 30	72-73	DRK-334	DRK-334MK
Wagoneer	F	Dana 44	74-84	DRK-339B	DRK-339BMK
Wagoneer	R	AMC 20	79-86	DRK-311J	DRK-311JMK [▲]
Wagoneer	R	Dana 35	84-90	DRK-335	DRK-335MK
Wagoneer	R	Dana 44	72-79	DRK-339B	DRK-339BMK
Wrangler	F	Dana 30	86-96	DRK-334	DRK-334MK
Wrangler	R	Dana 35	86-0n	DRK-335	DRK-335MK
Wrangler	R	Dana 44	86-0n	DRK-339B	DRK-339BMK
Wrangler TJ	F	Dana 30	97-0n	DRK-334TJ	DRK-334TJMK
Wrangler TJ	F	Dana 44	01-0n	DRK-339E	DRK-339EMK
Wrangler Rubicon	F	Dana 44	03-0n	DRK-339E	DRK-339EMK
Wrangler Rubicon	F	Dana 44	07-0n	DRK-339F	DRK-339FMK
Wrangler Rubicon	R	Dana 44	07-0n	DRK-339G	DRK-339GMK

Make/Model	F-FRONT	Axle/Ring	Year	Standard Kit	Master Kit
	R-REAR	Gear Size			
CHRYSLER (DODGE, PLYMOUTH)					
Aspen	R	7.25"	76-80	DRK-302	DRK-302MK
Aspen	R	8.25"/8.375"	76-80	DRK-303	DRK-303MK
Barracuda	R	8.25"/8.375"	70-74	DRK-303	DRK-303MK
Barracuda	R	8.75" w/1.75" Pin. Shaft O.D.	64-68	DRK-300	DRK-300MK
Barracuda	R	8.75" w/1.875" Pin. Shaft O.D.	69-74	DRK-301	DRK-301MK
Belvedere	R	8.75" w/1.75" Pin. Shaft O.D.	57-68	DRK-300	DRK-300MK
Belvedere	R	8.75" w/1.875" Pin. Shaft O.D.	69-70	DRK-301	DRK-301MK
Car w/Hemi	R	Dana 60	66-72	DRK-331	DRK-331MK
Challenger	R	7.25"	70-76	DRK-302	DRK-302MK
Challenger	R	8.25"/8.375"	70-74	DRK-303	DRK-303MK
Challenger	R	8.75" w/1.75" Pin. Shaft O.D.	68	DRK-300	DRK-300MK
Challenger	R	8.75" w/1.875" Pin. Shaft O.D.	69-74	DRK-301	DRK-301MK
Charger	R	7.25"	70-71	DRK-302	DRK-302MK
Charger	R	8.25"/8.375"	73-76	DRK-303	DRK-303MK
Charger	R	8.75" w/1.75" Pin. Shaft O.D.	66-68	DRK-300	DRK-300MK
Charger	R	8.75" w/1.875" Pin. Shaft O.D.	69-74	DRK-301	DRK-301MK
Charger	R	9.25"	74-76	DRK-304	DRK-304MK
Chrysler 300	R	8.25"/8.375"	72-79	DRK-303	DRK-303MK
Chrysler 300	R	8.75" w/1.75" Pin. Shaft O.D.	57-68	DRK-300	DRK-300MK
Chrysler 300	R	8.75" w/1.875" Pin. Shaft O.D.	69-73	DRK-301	DRK-301MK
Cordoba	R	7.25"	75-83	DRK-302	DRK-302MK
Cordoba	R	8.25"/8.375"	75-83	DRK-303	DRK-303MK
Cordoba	R	9.25"	75-81	DRK-304	DRK-304MK
Coronet	R	8.25"/8.375"	73-76	DRK-303	DRK-303MK
Coronet	R	8.75" w/1.75" Pin. Shaft O.D.	63-68	DRK-300	DRK-300MK
Coronet	R	8.75" w/1.875" Pin. Shaft O.D.	69	DRK-301	DRK-301MK
Dakota	F	7.25"	87-96	DRK-302	DRK-302MK
Dakota	F	8"	00-0n	DRK-305	DRK-305MK [▲]
Dakota	F	Dana 35	97-99	DRK-335	DRK-335MK
Dakota	R	7.25"	87-96	DRK-302	DRK-302MK
Dakota	R	8.25"	87-0n	DRK-303	DRK-303MK
Dart	R	7.25"	66-72	DRK-302	DRK-302MK
Dart	R	8.25" / 8.375"	72-76	DRK-303	DRK-303MK
Dart	R	8.75" w/1.75" Pin. Shaft O.D.	66-68	DRK-300	DRK-300MK
Dart	R	8.75" w/1.875" Pin. Shaft O.D.	69-72	DRK-301	DRK-301MK
Diplomat	R	7.25"	77-89	DRK-302	DRK-302MK
Diplomat	R	8.25" / 8.375"	77-83	DRK-303	DRK-303MK
Durango	F	8"	00-0n	DRK-305	DRK-305MK [▲]
Durango	F	Dana 35	97-99	DRK-335	DRK-335MK
Durango	R	8.25"	98-0n	DRK-303	DRK-303MK
Durango	R	9.25"	98-0n	DRK-304	DRK-304MK
Durango	R	9.25"	01-0n	DRK-304A	DRK-304AMK
Duster	R	8.25" / 8.375"	73-76	DRK-303	DRK-303MK
Duster	R	8.75" w/1.875" Pin. Shaft O.D.	70-74	DRK-301	DRK-301MK
Fifth Avenue	R	7.25"	80-89	DRK-302	DRK-302MK
Fifth Avenue	R	8.25" / 8.375"	80-89	DRK-303	DRK-303MK

Differential Application by Vehicle

Differential Application by Vehicle

Make/Model	F-FRONT R-REAR	Axle/Ring Gear Size	Year	Standard Kit	Master Kit
Fifth Avenue	R	9.25"	80-81	DRK-304	DRK-304MK
Fury	R	8.25" / 8.375"	70-81	DRK-303	DRK-303MK
Fury	R	8.75" w/1.75" Pin. Shaft O.D.	57-68	DRK-300	DRK-300MK
Fury	R	8.75" w/1.875" Pin. Shaft O.D.	69-74	DRK-301	DRK-301MK
Fury	R	9.25"	73-81	DRK-304	DRK-304MK
Imperial	R	7.25"	77-89	DRK-302	DRK-302MK
Imperial	R	8.25" / 8.375"	71-83	DRK-303	DRK-303MK
Imperial	R	8.75" w/1.75" Pin. Shaft O.D.	57-68	DRK-300	DRK-300MK
Imperial	R	8.75" w/1.875" Pin. Shaft O.D.	69-74	DRK-301	DRK-301MK
Imperial	R	9.25"	74-75	DRK-304	DRK-304MK
LeBaron	R	7.25"	75-83	DRK-302	DRK-302MK
LeBaron	R	8.25" / 8.375"	77-83	DRK-303	DRK-303MK
Magnum	R	8.25" / 8.375"	78-83	DRK-303	DRK-303MK
Mirada	R	7.25"	77-82	DRK-302	DRK-302MK
Mirada	R	8.25" / 8.375"	78-83	DRK-303	DRK-303MK
Monaco	R	8.75" w/1.75" Pin. Shaft O.D.	63-68	DRK-300	DRK-300MK
Monaco	R	8.75" w/1.875" Pin. Shaft O.D.	69-74	DRK-301	DRK-301MK
Monaco	R	9.25"	75-85	DRK-304	DRK-304MK
New Yorker	R	7.25"	77-89	DRK-302	DRK-302MK
New Yorker	R	8.25" / 8.375"	72-88	DRK-303	DRK-303MK
New Yorker	R	8.75" w/1.75" Pin. Shaft O.D.	57-68	DRK-300	DRK-300MK
New Yorker	R	8.75" w/1.875" Pin. Shaft O.D.	69-74	DRK-301	DRK-301MK
New Yorker	R	9.25"	72-81	DRK-304	DRK-304MK
Newport	R	7.25"	77-89	DRK-302	DRK-302MK
Newport	R	8.25" / 8.375"	72-73	DRK-303	DRK-303MK
Newport	R	8.75" w/1.75" Pin. Shaft O.D.	57-68	DRK-300	DRK-300MK
Newport	R	8.75" w/1.875" Pin. Shaft O.D.	69-74	DRK-301	DRK-301MK
Newport	R	9.25"	73-81	DRK-304	DRK-304MK
Polara	R	8.25" / 8.375"	70-74	DRK-303	DRK-303MK
Polara	R	8.75" w/1.75" Pin. Shaft O.D.	63-68	DRK-300	DRK-300MK
Polara	R	8.75" w/1.875" Pin. Shaft O.D.	69-74	DRK-301	DRK-301MK
Polara	R	9.25"	70-74	DRK-304	DRK-304MK
Ramcharger	R	9.25"	74-93	DRK-304	DRK-304MK
Road Runner	R	8.75" w/1.75" Pin. Shaft O.D.	68	DRK-300	DRK-300MK
Road Runner	R	8.75" w/1.875" Pin. Shaft O.D.	69-74	DRK-301	DRK-301MK
Satellite	R	8.25" / 8.375"	70-74	DRK-303	DRK-303MK
Satellite	R	8.75" w/1.75" Pin. Shaft O.D.	68	DRK-300	DRK-300MK
Satellite	R	8.75" w/1.875" Pin. Shaft O.D.	69-74	DRK-301	DRK-301MK
St. Regis	R	7.25"	77-83	DRK-302	DRK-302MK
St. Regis	R	8.25" / 8.375"	79-81	DRK-303	DRK-303MK
Super Bee	R	8.75" w/1.75" Pin. Shaft O.D.	68	DRK-300	DRK-300MK
Super Bee	R	8.75" w/1.875" Pin. Shaft O.D.	69-70	DRK-301	DRK-301MK
Swinger	R	8.75" w/1.75" Pin. Shaft O.D.	66-68	DRK-300	DRK-300MK
Swinger	R	8.75" w/1.875" Pin. Shaft O.D.	69-72	DRK-301	DRK-301MK

Make/Model	F-FRONT R-REAR	Axle/Ring Gear Size	Year	Standard Kit	Master Kit
Town & Country	R	8.75" w/1.75" Pin. Shaft O.D.	57-68	DRK-300	DRK-300MK
Town & Country	R	8.75" w/1.875" Pin. Shaft O.D.	69-74	DRK-301	DRK-301MK
Truck 1/2 ton	F	Dana 44	69-93	DRK-339B	DRK-339BMK
Truck 1/2 ton	R	8.25"	69-96	DRK-303	DRK-303MK
Truck 1/2 ton	R	8.75" w/1.75" Pin. Shaft O.D.	57-68	DRK-300	DRK-300MK
Truck 1/2 ton	R	8.75" w/1.875" Pin. Shaft O.D.	68-74	DRK-301	DRK-301MK
Truck 1/2 ton	R	9.25"	74-00	DRK-304	DRK-304MK
Truck 1/2 ton	R	9.25"	01-On	DRK-304A	DRK-304AMK
Truck 1/2 ton R1500F		8"	02-On	DRK-305A	DRK-305AMK
Truck 1/2 ton Ram	F	Dana 44	94-On	DRK-339C	DRK-339CMK
Truck 1/2 ton Ram Wagon/Van	R	8.25"	97-On	DRK-303	DRK-303MK
Truck 3/4 ton	F	Dana 44	69-84	DRK-339B	DRK-339BMK
Truck 3/4 ton Ram	F	Dana 44	94-On	DRK-339C	DRK-339CMK
Truck 3/4 ton	F	Dana 60	75-On	DRK-331	DRK-331MK
Truck 3/4 ton	R	8.75" w/1.75" Pin. Shaft O.D.	65-68	DRK-300	DRK-300MK
Truck 3/4 ton	R	8.75" w/1.875" Pin. Shaft O.D.	69-74	DRK-301	DRK-301MK
Truck 3/4 ton	R	9.25"	01-On	DRK-304A	DRK-304AMK
Truck 3/4 ton	R	9.25"	74-00	DRK-304	DRK-304MK
Truck 3/4 ton Ram	R	10.5"	03-On	DRK-306	DRK-306MK
Truck 3/4 ton Ram	R	11.5"	03-On	DRK-327	DRK-327MK
Truck 3/4 ton	R	Dana 60	61-On	DRK-331	DRK-331MK
Truck 3/4 ton	R	Dana 80	94-On	DRK-337	DRK-337MK
Truck 3/4 ton Ram	R	Dana 60	94-On	DRK-331A	DRK-331AMK
Truck 3/4 ton Ram	R	Dana 70U	94-On	DRK-332U	DRK-332UMK
Truck 1 ton	F	9.25" AAM axle	03-On	DRK-324G	DRK-324GMK
Truck 1 ton	F	Dana 60	75-On	DRK-331	DRK-331MK
Truck 1 Ton	R	9.25"	74-00	DRK-304	DRK-304MK
Truck 1 Ton	R	9.25"	01-On	DRK-304A	DRK-304AMK
Truck 1 ton	R	Dana 60	57-On	DRK-331	DRK-331MK
Truck 1 ton	R	Dana 70	57-84	DRK-332	DRK-332MK
Truck 1 ton	R	Dana 70U	84-93	DRK-332U	DRK-332UMK
Truck 1 ton	R	Dana 80	94-On	DRK-337	DRK-337MK
Truck 1 ton Ram	R	11.5"	03-On	DRK-327	DRK-327MK
Valiant	R	8.75" w/1.75" Pin. Shaft O.D.	60-68	DRK-300	DRK-300MK
Valiant	R	8.75" w/1.875" Pin. Shaft O.D.	69-74	DRK-301	DRK-301MK
Viper	R	Dana 44	93-00	DRK-339A	DRK-339AMK
Volare	R	8.25"/8.375"	76-80	DRK-303	DRK-303MK

FORD (LINCOLN, MERCURY)

Aerostar	F	Dana 28	90-97	DRK-333	DRK-333MK
Aerostar	R	7.5"	90-97	DRK-315	DRK-315MK [▲]
Aerostar	R	8.8"	90-97	DRK-311	DRK-311MK [▲]
Aerostar	R	Dana 30	87-89-1/2	DRK-339	DRK-339MK
Bobcat	R	7.5"	76-81	DRK-315	DRK-315MK [▲]
Bobcat	R	8"	76-81	DRK-310	DRK-310MK
Bronco	F	Dana 44	67-92	DRK-339B	DRK-339BMK
Bronco	F	Dana 44	92-1/2-96	DRK-339B	DRK-339BMK
Bronco	R	8.8"	83-96	DRK-311	DRK-311MK [▲]
Bronco	R	9" 28 spline to 5/10/70	67-5/70	DRK-312	DRK-312MK
Bronco	R	9" 31 spline after 5/11/70	5/70-86	DRK-313	DRK-313MK
Bronco II	F	Dana 28	83-89	DRK-333	DRK-333MK
Bronco II	F	Dana 35	90-92	DRK-335F	DRK-335FMK

Differential Application by Vehicle

Make/Model	F-FRONT R-REAR	Axle/Ring Gear Size	Year	Standard Kit	Master Kit
Bronco II	F	Dana 44	80-82	DRK-339B	DRK-339BMK
Bronco II	R	7.5"	83-92	DRK-315	DRK-315MK [▲]
Capri Exc. 86 w/V8	R	7.5"	79-86	DRK-315	DRK-315MK [▲]
Capri V8	R	8.8"	86	DRK-311	DRK-311MK [▲]
Comet	R	8"	64-72	DRK-310	DRK-310MK
Cougar	R	7.5"	80-97	DRK-315	DRK-315MK [▲]
Cougar	R	8"	67-68	DRK-310	DRK-310MK
Cougar	R	8.8"	87-97	DRK-311	DRK-311MK [▲]
Cougar	R	9" 28 spline to 5/10/70	67-5/70	DRK-312	DRK-312MK
Cougar	R	9" 31 spline after 5/11/70	5/70-79	DRK-313	DRK-313MK
Excursion	F	Dana 50	00-0n	DRK-336A	DRK-336AMK
Excursion	R	10.5"	00-0n	DRK-317	DRK-317MK
Expedition	F	8.8"	97-0n	DRK-311F	DRK-311FMK [▲]
Expedition	R	8.8" IRS	03-0n	DRK-311A	DRK-311AMK [▲]
Expedition	R	9.75"	97-99	DRK-316	DRK-316MK
Expedition	R	9.75"	99-0n	DRK-316A	DRK-316AMK
Explorer	F	Dana 30	01-0n	DRK-334B	DRK-334BMK
Explorer	F	Dana 35	90-1/2- 94-1/2	DRK-335F	DRK-335FMK
Explorer	F	Dana 35	95-0n	DRK-335B	DRK-335BMK
Explorer	R	7.5"	91-97	DRK-315	DRK-315MK [▲]
Explorer	R	8.8"	91-0n	DRK-311	DRK-311MK [▲]
Explorer	R	8.8" IRS	02-0n	DRK-311A	DRK-311AMK [▲]
Explorer Sport Trac	F	Dana 35	01-0n	DRK-335B	DRK-335BMK
Explorer Sport Trac	R	7.5"	01-0n	DRK-315	DRK-315MK [▲]
Fairlane	R	8"	60-72	DRK-310	DRK-310MK
Fairlane	R	9" 28 spline to 5/10/70	57-5/70	DRK-312	DRK-312MK
Fairlane	R	9" 31 spline after 5/11/70	5/70-71	DRK-313	DRK-313MK
Fairmont	R	7.5"	78-83	DRK-315	DRK-315MK [▲]
Fairmont	R	8"	75-79	DRK-310	DRK-310MK
Falcon	R	8"	62-70	DRK-310	DRK-310MK
Ford Full Size	R	7.5"	79-81	DRK-315	DRK-315MK [▲]
Ford Full Size	R	8.8"	80-0n	DRK-311	DRK-311MK [▲]
Ford Full Size	R	9" 28 spline to 5/10/70	57-5/70	DRK-312	DRK-312MK
Ford Full Size	R	9" 31 spline after 5/11/70	5/70-79	DRK-313	DRK-313MK
Granada	R	7.5"	81-82	DRK-315	DRK-315MK [▲]
Granada	R	8"	75-79	DRK-310	DRK-310MK
Granada	R	9"	75-80	DRK-313	DRK-313MK
LS	R	8.8" IRS	00-04	DRK-311B	DRK-311BMK
LTD II	R	9"	71-79	DRK-313	DRK-313MK
Maverick	R	8"	71-78	DRK-310	DRK-310MK
Mercury Full Size	R	7.5"	80-81	DRK-315	DRK-315MK [▲]
Mercury Full Size	R	8.8"	80-0n	DRK-311	DRK-311MK [▲]
Mercury Full Size	R	9" 28 spline to 5/10/70	57-5/70	DRK-312	DRK-312MK
Mercury Full Size	R	9" 31 spline after 5/11/70	5/70-79	DRK-313	DRK-313MK
Monarch	R	7.5"	79-80	DRK-315	DRK-315MK [▲]
Monarch	R	8"	74-80	DRK-310	DRK-310MK
Monarch	R	9"	75-80	DRK-313	DRK-313MK
Montego	R	9" 28 spline to 5/10/70	68-5/70	DRK-312	DRK-312MK
Montego	R	9" 31 spline after 5/11/70	5/70-76	DRK-313	DRK-313MK
Mustang	R	7.5"	80-0n	DRK-315	DRK-315MK [▲]
Mustang	R	8"	64-78	DRK-310	DRK-310MK
Mustang	R	8.8"	86-0n	DRK-311	DRK-311MK [▲]
Mustang	R	9" 28 spline to 5/10/70	65-5/70	DRK-312	DRK-312MK

Make/Model	F-FRONT R-REAR	Axle/Ring Gear Size	Year	Standard Kit	Master Kit
Mustang	R	9" 31 spline after 5/11/70	5/70-73	DRK-313	DRK-313MK
Pinto	R	8"	71-80	DRK-310	DRK-310MK
Ranger	F	Dana 28	83-89, 93-97	DRK-333	DRK-333MK
Ranger	F	Dana 35	98-0n	DRK-335B	DRK-335BMK
Ranger 4.0 L	F	Dana 35	90-97	DRK-335F	DRK-335FMK
Ranger 4.0 L	R	8.8"	83-0n	DRK-311	DRK-311MK [▲]
Ranger w/o 4.0 L	R	7.5"	83-0n	DRK-315	DRK-315MK [▲]
Thunderbird	R	7.5"	80-97	DRK-315	DRK-315MK [▲]
Thunderbird	R	8.8"	87-97	DRK-311	DRK-311MK [▲]
Thunderbird	R	8.8" IRS	02-04	DRK-311B	DRK-311BMK
Thunderbird	R	9" 28 spline to 5/10/70	57-5/70	DRK-312	DRK-312MK
Thunderbird	R	9" 31 spline after 5/11/70	5/70-79	DRK-313	DRK-313MK
Torino	R	8"	71-74	DRK-310	DRK-310MK
Torino	R	9"	71-79	DRK-313	DRK-313MK
Truck 1/2 ton	F	8.8"	97-0n	DRK-311F	DRK-311FMK [▲]
Truck 1/2 ton	F	Dana 44	67-92	DRK-339B	DRK-339BMK
Truck 1/2 ton	F	Dana 44	92-96	DRK-339D	DRK-339DMK
Truck 1/2 ton	R	8.8"	83-0n	DRK-311	DRK-311MK [▲]
Truck 1/2 ton	R	9" 28 spline to 5/10/70	57-5/70	DRK-312	DRK-312MK
Truck 1/2 ton	R	9" 31 spline after 5/11/70	5/70-86	DRK-313	DRK-313MK
Truck 1/2 ton	R	9.75"	97-99	DRK-316	DRK-316MK
Truck 1/2 ton	R	9.75"	99-0n	DRK-316A	DRK-316AMK
Truck 1/2 ton	R	Dana 44	67-79	DRK-339B	DRK-339BMK
Truck 3/4 ton	F	Dana 44	67-88	DRK-339B	DRK-339BMK
Truck 3/4 ton	F	Dana 50	80-98	DRK-336	DRK-336MK
Truck 3/4 ton	F	Dana 50	98-0n	DRK-336A	DRK-336AMK
Truck 3/4 ton	F	Dana 60	73-79	DRK-331	DRK-331MK
Truck 3/4 ton	R	8.8"	83-89	DRK-311	DRK-311MK [▲]
Truck 3/4 ton	R	9" 28 spline to 5/10/70	69-5/70	DRK-312	DRK-312MK
Truck 3/4 ton	R	9" 31 spline after 5/11/70	5/70-74	DRK-313	DRK-313MK
Truck 3/4 ton	R	9.75"	97-99	DRK-316	DRK-316MK
Truck 3/4 ton	R	9.75"	99-0n	DRK-316A	DRK-316AMK
Truck 3/4 ton	R	10.25"	85-99	DRK-314	DRK-314MK
Truck 3/4 ton	R	10.5"	99-0n	DRK-317	DRK-317MK
Truck 3/4 ton	R	Dana 60/61	54-98	DRK-331	DRK-331MK
Truck 3/4 ton	R	Dana 60/61	98-0n	DRK-331B	DRK-331BMK
Truck 3/4 ton	R	Dana 70U	83-85	DRK-332U	DRK-332UMK
Truck 1 ton	F	Dana 44	81-85	DRK-339B	DRK-339BMK
Truck 1 ton	F	Dana 50	80-98	DRK-336	DRK-336MK
Truck 1 ton	F	Dana 50	98-0n	DRK-336A	DRK-336AMK
Truck 1 ton	F	Dana 60	79-98	DRK-331	DRK-331MK
Truck 1 ton	F	Dana 60	00-0n	DRK-331A	DRK-331AMK
Truck 1 ton	R	10.25"	85-99	DRK-314	DRK-314MK
Truck 1 ton	R	10.5"	99-0n	DRK-317	DRK-317MK
Truck 1 ton	R	Dana 60/61	54-98	DRK-331	DRK-331MK
Truck 1 ton	R	Dana 60/61	98-0n	DRK-331B	DRK-331BMK
Truck 1 ton	R	Dana 70	61-83	DRK-332	DRK-332MK
Truck 1 ton	R	Dana 70HD	72-0n	DRK-332HD	DRK-332HDMK
Truck 1 ton	R	Dana 70U	82-97	DRK-332U	DRK-332UMK
Truck 1 ton	R	Dana 70U	98-0n	DRK-332A	DRK-332AMK
Truck 1 ton	R	Dana 80	88-98	DRK-337	DRK-337MK
Truck 1 ton	R	Dana 80	98-0n	DRK-337A	DRK-337AMK
Versailles	R	9"	77-80	DRK-313	DRK-313MK
Zephyr	R	7.5"	79-83	DRK-315	DRK-315MK [▲]
Zephyr	R	8"	78-79	DRK-310	DRK-310MK

Differential Application by Vehicle

Differential Application by Vehicle

Make/Model	F-FRONT R-REAR	Axle/Ring Gear Size	Year	Standard Kit	Master Kit
GM (BUICK, CADILLAC, CHEVROLET, GMC, OLDSMOBILE, PONTIAC)					
Apollo	R	8.5"	73-77	DRK-321R	DRK-321RMK [▲]
Astro	R	7.5"	85-98	DRK-320	DRK-320MK [▲]
Astro	R	7.5"	99-0n	DRK-320C	DRK-320CMK [▲]
Astro	F	7.25"	90-05	DRK-320A	DRK-320AMK
Avalanche	R	8.5"	02	DRK-321C	DRK-321CMK [▲]
Avalanche	R	8.5"	03-0n	DRK-321K	DRK-321KMK [▲]
Avalanche	R	9.5"	03-0n	DRK-324B	DRK-324BMK
Avalanche	F	8.25"	03-0n	DRK-321J	DRK-321JMK
Avalanche	F	9.25"	03-0n	DRK-324C	DRK-324CMK
Belair	R	8.2"	55-64	DRK-321G	DRK-321GMK
Biscayne	R	8.2"	55-64	DRK-321G	DRK-321GMK
Biscayne	R	8.5"	71-74	DRK-321R	DRK-321RMK [▲]
Blazer	F	7.25"	83-0N	DRK-320A	DRK-320AMK
Blazer Full Size	R	8.5"	69-94	DRK-321R	DRK-321RMK [▲]
Blazer Full Size	F	Dana 44	73-80	DRK-339B	DRK-339BMK
Blazer Full Size	F	8.5"	80-91	DRK-321R	DRK-321RMK [▲]
Blazer Full Size	F	8.25"	88-94	DRK-321A	DRK-321AMK
Blazer S10 Size	R	7.5"	83-98	DRK-320A	DRK-320AMK
Blazer S10 Size	R	7.5"	99-04	DRK-320C	DRK-320CMK [▲]
Blazer S10 Size	R	8.5"	95-98	DRK-321R	DRK-321RMK [▲]
Blazer S10 Size	R	8.5"	99-02	DRK-321C	DRK-321CMK [▲]
Blazer S10 Size	R	8.5"	03-04	DRK-321K	DRK-321KMK [▲]
Blazer S10 Size	F	7.25"	83-04	DRK-320A	DRK-320AMK
Bonneville	R	8.875"	65-72	DRK-323A	DRK-323AMK [▲]
Bonneville	R	7.5"	77-86	DRK-320	DRK-320MK [▲]
Bonneville	R	8.5"	73-81	DRK-321R	DRK-321RMK [▲]
Bravada	F	7.25"	02-0n	DRK-320A	DRK-320AMK
Bravada	R	7.5"	91-98	DRK-320A	DRK-320AMK
Bravada	R	7.5"	99-01	DRK-320C	DRK-320CMK [▲]
Bravada	R	8"	02-0n	DRK-320D	DRK-320DMK [▲]
Brougham	R	8.5"	87-92	DRK-321R	DRK-321RMK [▲]
Buick Full Size	R	7.5"	75-80	DRK-320B	DRK-320BMK [▲]
Buick Full Size	R	7.5"	81-86	DRK-320	DRK-320MK [▲]
Buick Full Size	R	8.2"	64-71	DRK-321H	DRK-321HMK [▲]
Buick Full Size	R	8.5"	71-96	DRK-321R	DRK-321RMK [▲]
Buick Mid Size	R	7.5"	73-80	DRK-320B	DRK-320BMK [▲]
Buick Mid Size	R	7.5"	81-87	DRK-320	DRK-320MK [▲]
Caballero	R	7.5"	78-87	DRK-320	DRK-320MK [▲]
Caballero	R	8.5"	78-87	DRK-321R	DRK-321RMK [▲]
Camaro	R	7.5"	82-98	DRK-320	DRK-320MK [▲]
Camaro	R	7.5"	99-02	DRK-320C	DRK-320CMK [▲]
Camaro	R	7.75" BW	86-89	DRK-326	DRK-326MK [▲]
Camaro	R	8.2"	67-70	DRK-321B	DRK-321BMK
Camaro	R	8.5"	70-81	DRK-321R	DRK-321RMK [▲]
Camaro	R	8.875"	67-72	DRK-323A	DRK-323AMK [▲]
Canyon	F	7.6" IFS	04-0n	DRK-320F	DRK-320FMK [▲]
Canyon	R	8.0"	04-0n	DRK-320D	DRK-320DMK [▲]
Caprice	R	8.2"	65-71	DRK-321B	DRK-321BMK
Caprice	R	8.875"	65-72	DRK-323A	DRK-323AMK [▲]
Caprice	R	7.5"	77-85	DRK-320	DRK-320MK [▲]
Caprice	R	8.5"	73-96	DRK-321R	DRK-321RMK [▲]
Catalina	R	8.2"	65-72	DRK-321B	DRK-321BMK
Catalina	R	8.875"	65-72	DRK-323A	DRK-323AMK [▲]
Catalina	R	7.5"	77-81	DRK-320	DRK-320MK [▲]
Catalina	R	8.5"	73-81	DRK-321R	DRK-321RMK [▲]
Century	R	7.5"	78-81	DRK-320	DRK-320MK [▲]
Century	R	8.5"	73-77	DRK-321R	DRK-321RMK [▲]
Chevelle	R	8.2"	64-72	DRK-321B	DRK-321BMK
Chevelle	R	8.875"	64-72	DRK-323A	DRK-323AMK [▲]
Chevy Full Size	R	7.5"	75-80	DRK-320B	DRK-320BMK [▲]
Chevy Full Size	R	7.5"	81-96	DRK-320	DRK-320MK [▲]
Chevy Full Size	R	8.5"	71-96	DRK-321R	DRK-321RMK [▲]

Make/Model	F-FRONT R-REAR	Axle/Ring Gear Size	Year	Standard Kit	Master Kit
Chevy II	R	8.2"	55-64	DRK-321G	DRK-321GMK
Chevy II	R	8.2"	64-72	DRK-321B	DRK-321BMK
Chevy II	R	8.5"	70-79	DRK-321R	DRK-321RMK [▲]
Chevy II	R	8.875"	65-72	DRK-323A	DRK-323AMK [▲]
Chevy Mid Size	R	7.5"	76-80	DRK-320B	DRK-320BMK [▲]
Colorado	F	7.6" IFS	04-0n	DRK-320F	DRK-320FMK [▲]
Colorado	R	8.0"	04-0n	DRK-320D	DRK-320DMK [▲]
Corvette	R	8.2"	55-64	DRK-321G	DRK-321GMK
Corvette	R	8.5"	63-79	DRK-323	DRK-323MK [▲]
Corvette	R	Dana 44	80-83	DRK-339	DRK-339MK
Corvette	R	Getrag	97-0n	DRK-328	DRK-328MK
Corvette All	R	Dana 44	84	DRK-339A	DRK-339AMK
Corvette with Automatic Trans	R	Dana 36	85-96	DRK-338	DRK-338MK
Corvette with Manual Trans	R	Dana 44	85-96	DRK-339A	DRK-339AMK
Cutlass	R	7.5"	78-88	DRK-320	DRK-320MK [▲]
Cutlass	R	8.5"	71-77	DRK-321R	DRK-321RMK [▲]
Delta 88	R	8.875"	65-72	DRK-323A	DRK-323AMK [▲]
Delta 88	R	7.5"	77-85	DRK-320	DRK-320MK [▲]
Delta 88	R	8.5"	73-85	DRK-321R	DRK-321RMK [▲]
DeVille	R	8.5"	77-84	DRK-321R	DRK-321RMK [▲]
El Camino	R	8.2"	55-64	DRK-321G	DRK-321GMK
El Camino	R	8.2"	64-71	DRK-321B	DRK-321BMK
El Camino	R	7.5"	77-87	DRK-320	DRK-320MK [▲]
El Camino	R	8.5"	71-87	DRK-321R	DRK-321RMK [▲]
El Camino	R	8.875"	65-72	DRK-323A	DRK-323AMK [▲]
Electra	R	8.5"	73-78	DRK-321R	DRK-321RMK [▲]
Envoy	F	7.25"	98-0n	DRK-320A	DRK-320AMK
Envoy	R	7.5"	98	DRK-320	DRK-320MK [▲]
Envoy	R	7.5"	99-01	DRK-320C	DRK-320CMK [▲]
Envoy	R	8"	02-0n	DRK-320D	DRK-320DMK [▲]
Envoy	R	8.5"	02	DRK-321C	DRK-321CMK [▲]
Envoy	R	8.5"	03-0n	DRK-321K	DRK-321KMK [▲]
Escalade	R	8.5"	99-02	DRK-321C	DRK-321CMK [▲]
Escalade	R	8.5"	03-0n	DRK-321K	DRK-321KMK [▲]
Escalade	R	9.5"	99-00	DRK-324B	DRK-324BMK
Escalade	F	8.25"	99-0n	DRK-321J	DRK-321JMK
Escalade	F	9.25"	99-00	DRK-324C	DRK-324CMK
Escalade EXT	R	8.5"	02	DRK-321C	DRK-321CMK [▲]
Escalade EXT	R	8.5"	03-0n	DRK-321K	DRK-321KMK [▲]
Escalade EXT	F	8.25"	02-0n	DRK-321J	DRK-321JMK
Estate Wagon	R	8.875"	80-83	DRK-323A	DRK-323AMK [▲]
Estate Wagon	R	7.5"	80-90	DRK-320	DRK-320MK [▲]
Estate Wagon	R	8.5"	80-90	DRK-321R	DRK-321RMK [▲]
Express 1500	R	8.5"	96-98	DRK-321R	DRK-321RMK [▲]
Express 1500	R	8.5"	99-02	DRK-321C	DRK-321CMK [▲]
Express 1500	R	8.5"	03-0n	DRK-321K	DRK-321KMK [▲]
Express 1500	R	9.5"	96-97	DRK-324	DRK-324MK
Express 1500	R	9.5"	98-0n	DRK-324B	DRK-324BMK
Express 1500	F	7.25"	03-0n	DRK-320A	DRK-320AMK
Express 2500	R	9.5"	96-97	DRK-324	DRK-324MK
Express 2500	R	9.5"	98-0n	DRK-324B	DRK-324BMK
Express 2500	R	10.5"	96-0n	DRK-325A	DRK-325AMK
Express 2500	R	11.5"	01-0n	DRK-327	DRK-327MK
Express 3500	R	10.5"	96-0n	DRK-325A	DRK-325AMK
Express 3500	R	11.5"	01-0n	DRK-327	DRK-327MK
F85 Olds	R	8.875"	68-70	DRK-323A	DRK-323AMK [▲]
Firebird	R	8.875"	67-72	DRK-323A	DRK-323AMK [▲]
Firebird	R	Dana 44	84-85	DRK-339B	DRK-339BMK
Firebird	R	Dana 44	92-94	DRK-339B	DRK-339BMK
Firebird TransAm	R	7.5"	82-98	DRK-320	DRK-320MK [▲]
Firebird TransAm	R	7.5"	99-0n	DRK-320C	DRK-320CMK [▲]

Differential Application by Vehicle

Differential Application by Vehicle

Make/Model	F-FRONT R-REAR	Axle/Ring Gear Size	Year	Standard Kit	Master Kit
Firebird TransAm	R	7.75" BW	85-91	DRK-326	DRK-326MK [▲]
Firebird TransAm	R	8.5"	70-81	DRK-321R	DRK-321RMK [▲]
Fleetwood	R	8.5"	77-86	DRK-321R	DRK-321RMK [▲]
G Series Van 1500	R	8.5"	77-95	DRK-321R	DRK-321RMK [▲]
G Series Van 1500	R	9.5"	81-95	DRK-324	DRK-324MK
G Series Van 2500	R	8.875"	64-81	DRK-322	DRK-322MK [▲]
G Series Van 2500	R	9.5"	81-95	DRK-324	DRK-324MK
G Series Van 2500	R	10.5"	73-88	DRK-325	DRK-325MK
G Series Van 3500	R	10.5"	88-95	DRK-325A	DRK-325AMK
G Series Van 3500	R	Dana 60	80-91	DRK-331	DRK-331MK
Grand Am	R	7.5"	78-80	DRK-320	DRK-320MK [▲]
Grand Am	R	8.5"	73-80	DRK-321R	DRK-321RMK [▲]
Grand National	R	8.5"	84-87	DRK-321R	DRK-321RMK [▲]
Grand Prix	R	7.5"	78-87	DRK-320	DRK-320MK [▲]
Grand Prix	R	8.5"	71-77	DRK-321R	DRK-321RMK [▲]
Grand Prix	R	8.875"	70-72	DRK-323A	DRK-323AMK [▲]
Grand Sport	R	8.5"	73-84	DRK-321R	DRK-321RMK [▲]
GTO	R	8.5"	71-77	DRK-321R	DRK-321RMK [▲]
GTO	R	8.875"	65-72	DRK-323A	DRK-323AMK [▲]
H3	F	7.6" IFS	06-On	DRK-320F	DRK-320FMK [▲]
H3	R	8.0"	06-On	DRK-320D	DRK-320DMK [▲]
Hurst Olds	R	8.5"	85-88	DRK-321R	DRK-321RMK [▲]
Impala	R	8.2"	65-72	DRK-321B	DRK-321BMK
Impala	R	8.875"	65-72	DRK-323A	DRK-323AMK [▲]
Impala	R	7.5"	77-85	DRK-320	DRK-320MK [▲]
Impala	R	8.5"	73-96	DRK-321R	DRK-321RMK [▲]
Jimmy Full Size	R	8.5"	70-94	DRK-321R	DRK-321RMK [▲]
Jimmy Full Size	F	Dana 44	73-80	DRK-339B	DRK-339BMK
Jimmy Full Size	F	8.5"	80-91	DRK-321R	DRK-321RMK [▲]
Jimmy Full Size	F	8.25"	88-94	DRK-321A	DRK-321AMK
Jimmy S15 Size	R	7.5"	83-98	DRK-320A	DRK-320AMK
Jimmy S15 Size	R	7.5"	99-04	DRK-320C	DRK-320CMK [▲]
Jimmy S15 Size	R	8.5"	95-98	DRK-321R	DRK-321RMK [▲]
Jimmy S15 Size	R	8.5"	99-02	DRK-321C	DRK-321CMK [▲]
Jimmy S15 Size	R	8.5"	03-04	DRK-321K	DRK-321KMK [▲]
Jimmy S15 Size	F	7.25"	83-04	DRK-320A	DRK-320AMK
LeMans	R	8.5"	71-77	DRK-321R	DRK-321RMK [▲]
LeMans	R	8.875"	64-72	DRK-323A	DRK-323AMK [▲]
Lesabre	R	7.5"	73-85	DRK-320	DRK-320MK [▲]
Lesabre	R	8.5"	73-85	DRK-321R	DRK-321RMK [▲]
Lesabre	R	8.875"	73-77	DRK-323A	DRK-323AMK [▲]
Malibu	R	8.875"	73-76	DRK-323A	DRK-323AMK [▲]
Malibu	R	7.5"	76-83	DRK-320	DRK-320MK [▲]
Malibu	R	8.5"	73-83	DRK-321R	DRK-321RMK [▲]
Monte Carlo	R	7.5"	81-88	DRK-320	DRK-320MK [▲]
Monte Carlo	R	8.2"	70-72	DRK-321B	DRK-321BMK
Monte Carlo	R	8.5"	71-83	DRK-321R	DRK-321RMK
Monte Carlo	R	8.875"	70-72	DRK-323A	DRK-323AMK [▲]
Ninety Eight	R	8.875"	65-72	DRK-323A	DRK-323AMK [▲]
Ninety Eight	R	7.5"	77-85	DRK-320	DRK-320MK [▲]
Ninety Eight	R	8.5"	73-85	DRK-321R	DRK-321RMK [▲]
Nova	R	8.2"	64-72	DRK-321B	DRK-321BMK
Nova	R	8.5"	70-79	DRK-321R	DRK-321RMK [▲]
Nova	R	8.875"	65-72	DRK-323A	DRK-323AMK [▲]
Olds Full Size	R	7.5"	77-85	DRK-320	DRK-320MK [▲]
Olds Full Size	R	8.2"	64-71	DRK-321H	DRK-321HMK [▲]
Olds Full Size	R	8.5"	71-92	DRK-321R	DRK-321RMK [▲]
Olds Full Size	R	9.3" C axle	57-62	DRK-329	DRK-329MK
Omega	R	7.5"	75-79	DRK-320	DRK-320MK [▲]
Omega	R	8.5"	73-79	DRK-321R	DRK-321RMK [▲]
Phoenix	R	7.5"	78-81	DRK-320	DRK-320MK [▲]
Phoenix	R	8.5"	71-77	DRK-321R	DRK-321RMK [▲]
Pontiac Full Size	R	7.5"	77-86	DRK-320	DRK-320MK [▲]

Make/Model	F-FRONT R-REAR	Axle/Ring Gear Size	Year	Standard Kit	Master Kit
Pontiac Full Size	R	8.2"	64-71	DRK-321H	DRK-321HMK [▲]
Pontiac Full Size	R	8.5"	71-89	DRK-321R	DRK-321RMK [▲]
Pontiac Full Size	R	9.3" C axle	57-62	DRK-329	DRK-329MK
Rally Van 1500	R	8.5"	77-95	DRK-321R	DRK-321RMK [▲]
Rally Van 1500	R	9.5"	81-95	DRK-324	DRK-324MK
Rally Van 2500	R	8.875"	64-81	DRK-322	DRK-322MK [▲]
Rally Van 2500	R	9.5"	81-95	DRK-324	DRK-324MK
Rally Van 2500	R	10.5"	73-88	DRK-325	DRK-325MK
Rally Van 3500	R	10.5"	88-95	DRK-325A	DRK-325AMK
Rally Van 3500	R	Dana 60	80-91	DRK-331	DRK-331MK
Ranier	F	7.25"	02-On	DRK-320A	DRK-320AMK
Ranier	R	8"	02-On	DRK-320D	DRK-320DMK [▲]
Ranier	R	8.5"	03-On	DRK-321K	DRK-321KMK [▲]
Regal	R	7.5"	78-87	DRK-320	DRK-320MK [▲]
Regal	R	8.5"	73-77	DRK-321R	DRK-321RMK [▲]
Roadmaster	R	8.5"	71-74	DRK-321R	DRK-321RMK [▲]
Roadmaster	R	7.5"	90-96	DRK-320	DRK-320MK [▲]
S10, S15	F	7.25"	83-On	DRK-320A	DRK-320AMK
S10, S15	R	7.5"	82-98	DRK-320	DRK-320MK [▲]
S10, S15	R	7.5"	99-04	DRK-320C	DRK-320CMK [▲]
S10, S15	R	8.5"	94-98	DRK-321R	DRK-321RMK [▲]
S10, S15	R	8.5"	99-02	DRK-321C	DRK-321CMK [▲]
S10, S15	R	8.5"	03-04	DRK-321K	DRK-321KMK [▲]
Safari	R	7.5"	85-98	DRK-320	DRK-320MK [▲]
Safari	R	7.5"	99-On	DRK-320C	DRK-320CMK [▲]
Savanna 1500	R	8.5"	96-98	DRK-321R	DRK-321RMK [▲]
Savanna 1500	R	8.5"	99-02	DRK-321C	DRK-321CMK [▲]
Savanna 1500	R	8.5"	03-On	DRK-321K	DRK-321KMK [▲]
Savanna 1500	R	9.5"	96-97	DRK-324	DRK-324MK
Savanna 1500	R	9.5"	98-On	DRK-324B	DRK-324BMK
Savanna 1500	F	7.25"	03-On	DRK-320A	DRK-320AMK
Savanna 2500	R	9.5"	96-97	DRK-324	DRK-324MK
Savanna 2500	R	9.5"	98-On	DRK-324B	DRK-324BMK
Savanna 2500	R	10.5"	96-On	DRK-325A	DRK-325AMK
Savanna 2500	R	11.5"	01-On	DRK-327	DRK-327MK
Savanna 3500	R	10.5"	96-On	DRK-325A	DRK-325AMK
Savanna 3500	R	11.5"	01-On	DRK-327	DRK-327MK
Series 150/210	R	8.2"	55-64	DRK-321G	DRK-321GMK
Skyhawk	R	7.5"	75-80	DRK-320	DRK-320MK [▲]
Skylark	R	7.5"	76-79	DRK-320	DRK-320MK [▲]
Skylark	R	8.5"	71-79	DRK-321R	DRK-321RMK [▲]
Sonoma	F	7.25"	91-On	DRK-320A	DRK-320AMK
Sonoma	R	7.5"	91-98	DRK-320	DRK-320MK [▲]
Sonoma	R	7.5"	99-04	DRK-320C	DRK-320CMK [▲]
Sonoma	R	8.5"	94-98	DRK-321R	DRK-321RMK [▲]
Sonoma	R	8.5"	99-02	DRK-321C	DRK-321CMK [▲]
Sonoma	R	8.5"	03-04	DRK-321K	DRK-321KMK [▲]
Sportvan 1500	R	8.5"	80-93	DRK-321R	DRK-321RMK [▲]
Sportvan 2500	R	9.5"	80-96	DRK-324	DRK-324MK
Sportvan 3500	R	10.5"	73-88	DRK-325	DRK-325MK
Sportvan 3500	R	1st design			
Sportvan 3500	R	10.5"	88-96	DRK-325A	DRK-325AMK
Sportvan 3500	R	2nd design			
Sprint	R	7.5"	77	DRK-320	DRK-320MK [▲]
Sprint	R	8.5"	71-77	DRK-321R	DRK-321RMK [▲]
Sprint	R	8.875"	71-72	DRK-323A	DRK-323AMK [▲]
SSR	R	8.5"	03-06	DRK-321K	DRK-321KMK [▲]
SSR	R	9.5"	05-06	DRK-324B	DRK-324BMK
Suburban 1500	F	Dana 44	73-80	DRK-339B	DRK-339BMK
Suburban 1500	F	8.5"	77-91	DRK-321	DRK-321MK [▲]
Suburban 1500	F	8.25"	90-97	DRK-321A	DRK-321AMK
Suburban 1500	F	8.25"	98-On	DRK-321J	DRK-321JMK
Suburban 1500	R	8.875"	73-81	DRK-322	DRK-322MK [▲]

Differential Application by Vehicle

Differential Application by Vehicle

Make/Model	F-FRONT R-REAR	Axle/Ring Gear Size	Year	Standard Kit	Master Kit
Suburban 1500	R	8.5"	76-98	DRK-321R	DRK-321RMK [▲]
Suburban 1500	R	8.5"	99-02	DRK-321C	DRK-321CMK [▲]
Suburban 1500	R	8.5"	03-0n	DRK-321K	DRK-321KMK [▲]
Suburban 2500	F	Dana 44	73-80	DRK-339B	DRK-339BMK
Suburban 2500	F	8.5"	77-91	DRK-321	DRK-321MK [▲]
Suburban 2500	F	9.25"	88-97	DRK-324A	DRK-324AMK
Suburban 2500	F	9.25"	98-0n	DRK-324C	DRK-324CMK
Suburban 2500	R	8.875"	73-81	DRK-322	DRK-322MK [▲]
Suburban 2500	R	9.5"	81-97	DRK-324	DRK-324MK
Suburban 2500	R	9.5"	98-0n	DRK-324B	DRK-324BMK
Syclone	F	7.25"	91-92	DRK-320A	DRK-320AMK
Syclone	R	7.5"	91-92	DRK-320	DRK-320MK [▲]
Typhoon	F	7.25"	92-93	DRK-320A	DRK-320AMK
Typhoon	R	7.5"	92-93	DRK-320	DRK-320MK [▲]
Tahoe	F	8.25"	95-97	DRK-321A	DRK-321AMK
Tahoe	F	8.25"	98-0n	DRK-321J	DRK-321JMK
Tahoe	R	8.5"	95-98	DRK-321R	DRK-321RMK [▲]
Tahoe	R	8.5"	99-02	DRK-321C	DRK-321CMK [▲]
Tahoe	R	8.5"	03-0n	DRK-321K	DRK-321KMK [▲]
Trailblazer	F	7.25"	02-0n	DRK-320A	DRK-320AMK
Trailblazer	R	8"	02-0n	DRK-320D	DRK-320DMK [▲]
Trailblazer	R	8.5"	02	DRK-321C	DRK-321CMK [▲]
Trailblazer	R	8.5"	03-0n	DRK-321K	DRK-321KMK [▲]
Trailblazer	R	9.5"	06-0n	DRK-324B	DRK-324BMK
Truck 1/2 ton	F	8.25"	88-97	DRK-321A	DRK-321AMK
Truck 1/2 ton	F	8.25"	98-0n	DRK-321J	DRK-321JMK
Truck 1/2 ton	F	8.5"	77-91	DRK-321	DRK-321MK [▲]
Truck 1/2 ton	F	Dana 44	69-80	DRK-339B	DRK-339BMK
Truck 1/2 ton	R	8.5"	71-98	DRK-321R	DRK-321RMK [▲]
Truck 1/2 ton	R	8.5"	80-81	DRK-323	DRK-323MK [▲]
Truck 1/2 ton	R	8.5"	99-02	DRK-321C	DRK-321CMK [▲]
Truck 1/2 ton	R	8.5"	03-0n	DRK-321K	DRK-321KMK [▲]
Truck 1/2 ton w/Posi	R	8.5"	70-99	DRK-321D	DRK-321DMK [▲]
Truck 1/2 ton	R	8.875"	64-81	DRK-322	DRK-322MK [▲]
Truck 1/2 ton	R	9.5"	88-97	DRK-324	DRK-324MK
Truck 1/2 ton	R	9.5"	98-0n	DRK-324B	DRK-324BMK
Truck 1/2 ton	R	Dana 44	65-72	DRK-339B	DRK-339BMK
Truck 1/2 ton	R	Dana 60	02-0n	DRK-331C	DRK-331CMK
w/Quadrasteer					
Truck 3/4 ton	F	8.5"	77-91	DRK-321	DRK-321MK [▲]
Truck 3/4 ton	F	9.25"	88-97	DRK-324A	DRK-324AMK
Truck 3/4 ton	F	9.25"	98-0n	DRK-324C	DRK-324CMK
Truck 3/4 ton	F	Dana 44	68-80	DRK-339B	DRK-339BMK
Truck 3/4 ton	R	8.5"	79-95	DRK-321R	DRK-321RMK [▲]
Truck 3/4 ton	R	8.5"	80-81	DRK-323	DRK-323MK [▲]
Truck 3/4 ton w/Posi	R	8.5"	77-99	DRK-321D	DRK-321DMK [▲]
Truck 3/4 ton	R	8.875"	69-81	DRK-322	DRK-322MK [▲]
Truck 3/4 ton	R	9.5"	81-97	DRK-324	DRK-324MK
Truck 3/4 ton	R	9.5"	98-0n	DRK-324B	DRK-324BMK
Truck 3/4 ton	R	10.5"	98-0n	DRK-325B	DRK-325BMK
Truck 3/4 ton	R	10.5"	73-88	DRK-325	DRK-325MK
		1st design			
Truck 3/4 ton	R	10.5"	88-97	DRK-325A	DRK-325AMK
		2nd design			
Truck 3/4 ton	R	11.5"	01-0n	DRK-327	DRK-327MK
Truck 3/4 ton	R	Dana 60	67-72	DRK-331	DRK-331MK
Truck 3/4 ton	R	Dana 60	02-0n	DRK-331C	DRK-331CMK
w/Quadrasteer					
Truck 1 ton	F	9.25"	88-97	DRK-324A	DRK-324AMK
Truck 1 ton	F	9.25"	98-0n	DRK-324C	DRK-324CMK
Truck 1 ton	F	Dana 60	77-91	DRK-331	DRK-331MK
Truck 1 ton	R	9.5"	83-95	DRK-324	DRK-324MK
Truck 1 ton	R	10.5"	98-0n	DRK-325B	DRK-325BMK

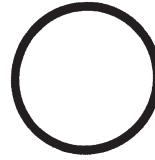
Make/Model	F-FRONT R-REAR	Axle/Ring Gear Size	Year	Standard Kit	Master Kit
Truck 1 ton	R	10.5"	72-88	DRK-325	DRK-325MK
		1st design			
Truck 1 ton	R	10.5"	88-97	DRK-325A	DRK-325AMK
		2nd design			
Truck 1 ton	R	11.5"	01-0n	DRK-327	DRK-327MK
Truck 1 ton	R	Dana 60	73-91	DRK-331	DRK-331MK
Truck 1 ton	R	Dana 70	73-90	DRK-332	DRK-332MK
Truck 1 ton	R	Dana 70HD	73-94	DRK-332HD	DRK-332HDMK
Truck 1 ton	R	Dana 70U	84-91	DRK-332U	DRK-332UMK
Truck 1 ton	R	Dana 80	91-99	DRK-337	DRK-337MK
Ventura	R	7.5"	78-81	DRK-320	DRK-320MK [▲]
Ventura	R	8.5"	71-77	DRK-321R	DRK-321RMK [▲]
Yukon	F	8.25"	00-0n	DRK-321J	DRK-321JMK
Yukon	F	9.25"	00-0n	DRK-324C	DRK-324CMK
Yukon	R	8.5"	00-02	DRK-321C	DRK-321CMK [▲]
Yukon	R	8.5"	03-0n	DRK-321K	DRK-321KMK [▲]
Yukon	R	9.5"	00-0n	DRK-324B	DRK-324BMK

TOYOTA

4 Runner	F	7.5"	86-0n	DRK-350	DRK-350MK
4 Runner	F	8"	79-85	DRK-351	DRK-351MK
4 Runner	R	8"	79-0n	DRK-351	DRK-351MK
4 Runner	R	8" V6 & 4 Cyl. Turbo	87-0n	DRK-352	DRK-352MK
Landcruiser	F	FJ80 w/Locking Differential	90-97	DRK-356	DRK-356MK
Landcruiser	F	FJ80 w/Open Differential	90-97	DRK-356A	DRK-356AMK
Landcruiser	F/R	FJ40/60/62 w/Open Differential	75-0n	DRK-358**	DRK358MK**
Landcruiser	R	FJ80 w/Locking Differential	90-97	DRK-357	DRK-357MK
Landcruiser	R	FJ80 w/Open Differential	90-97	DRK-357A	DRK-357AMK
Supra	R	7.5" w/o Turbo	87-95	DRK-350	DRK-350MK
T100	R	Open Differential	95-0n	DRK-355	DRK-355MK
Tacoma	F	Open Differential	95-0n	DRK-355A	DRK-355AMK
Tacoma	R	Locking Differential	9/95-9/96	DRK-354	DRK-354MK
Tacoma	R	Locking Differential	9/96-0n	DRK-354A	DRK-354AMK
Tacoma	R	Open Differential	95-0n	DRK-355	DRK-355MK
Truck	F	7.5"	79-85	DRK-350	DRK-350MK
Truck	F	7.5"	86-0n	DRK-350	DRK-350MK
Truck	R	7.5"	79-0n	DRK-350	DRK-350MK
Truck	R	7.5" 4 Cyl. Non Turbo	86-0n	DRK-353	DRK-353MK
Truck	R	8"	79-0n	DRK-351	DRK-351MK
Truck	R	8" V6 & 4 Cyl. Turbo	86-0n	DRK-352	DRK-352MK
Tundra	R	Open Differential	95-0n	DRK-355	DRK-355MK

**If using original OEM gearset - prior to 1979 - you must re-use factory castle nut.

AMC Model 20 Axle (12 Bolt Cover)



GR-A20J
NO HOLES
10 1/2" DIA.

Rebuild Kit	Description	Ring & Pinion	Ratio
DRK-311J	Standard Kit	AMC273	2.73 (41-15)
DRK-311JMK	Master Kit	AMC308	3.08 (40-14)
		AMC331	3.31 (43-13)
		AMC354	3.54 (39-11)
		AMC373	3.73 (41-11)
		AMC410	4.10 (41-10)
		AMC456	4.56 (41-9)
		AMC488	4.88 (39-8)

Open Case	Ratio
AMC20-CASE	3.08-4.88 Ratios

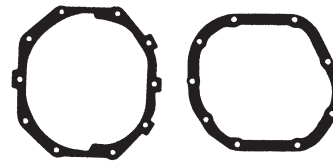
Internal Kit	Description
AMC20-1K	

Limited Slip Differential	Description
542081	Auburn Pro 3.08 & Up Ratios

Axle Shaft	Application	Length	Studs	Spline	Side
N/A					

Rear Wheel Bearing/Seal Application	Bearing	Seal
All Jeep (80-86) w/AMC20	A5	7687-S

Chrysler 7.25" Axle (9 or 10 Bolt Cover)



GR-C725
10 HOLES/9 HOLES
(2 Gaskets in Set)

Rebuild Kit	Description	Ring & Pinion	Ratio
DRK-302	Standard Kit	C725293	2.93 (41-11)
DRK-302MK	Master Kit	C725323	3.23 (42-13)
		C725355	3.55 (39-11)
		C725391	3.91 (39-10)

Open Case	Description
C725-CASE	

Internal Kit	Description
C725-1K	

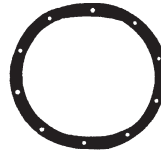
Limited Slip Differential	Description
N/A	

Axle Shaft	Application	Length	Studs	Spline	Side
AS4348511	Dakota 2WD (87-90)	30 1/4"	5	25	R&L
AS4506147	Dakota 2WD (91-96)	30 1/4"	6	25	R&L

Call for all other applications or dimensions.

Rear Wheel Bearing/Seal Application	Bearing	Seal
All (80-84) 7.25" R.G.	RWC35-YYR	8660-S

Chrysler 8.25" Axle (10 Bolt Cover)



GR-C825
10 HOLES
OVAL

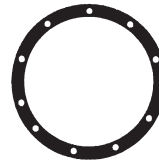
Rebuild Kit	Description	Ring & Pinion	Ratio
DRK-303	Standard Kit	C825321	3.21 (45-14)
DRK-303MK	Master Kit	C825323	3.23 (42-13)
DRK-303A	Standard Kit (97-01) Jeep Cherokee	C825355	3.55 (39-11)
DRK-303AMK	Master Kit (97-01) Jeep Cherokee	C825390	3.90 (43-11)
Open Case	Ratio	C825410	4.10 (41-10)
C825-CASE		C825456	4.56 (41-9)
Internal Kit	Description	Limited Slip Differential	Description
C825-IK		542072	Auburn HP (27 Spline)
		542074	Auburn HP (29 Spline)

Axle Shaft	Application	Length	Studs	Spline	Side
AS4348510	Dakota 2WD & 4x4 (87-90)	30 ³ / ₄	5	27	R&L
AS4506115	Dakota 2WD & 4x4 (91-96)	30 ³ / ₄ "	6	27	R&L
AS53008134	Jeep Cherokee 4x4 (85-96)	29 ³ / ₄ "	5	27	R&L
AS4137670	1/2 & 3/4 Ton 2WD & 4x5 Van (85-96)	32 ⁹ / ₁₆ "	5	27	R&L

Call for all other applications or dimensions.

Rear Wheel Bearing/Seal Application	Bearing	Seal
All (80-84) 8.25" R.G.	6408/RP-6408	8835-S

Chrysler 8.75" Axle Early 1.75" Pinion Shaft (12 Bolt Cover)



GR-C875
10 HOLES
ROUND

Rebuild Kit	Description	Ring & Pinion	Ratio
DRK-300	Standard Kit	C875390E	3.90 (43-11)
DRK-300MK	Master Kit	C875410E	4.10 (41-10)
		C875430E	4.30 (43-10)
		C875457E	4.57 (32-7)
		C875486E	4.86 (34-7)
		C875513E	5.13 (41-8)
		C875538E	5.38 (43-8)
		C875557E	5.57 (39-7)

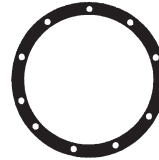
Open Case	Description
N/A	

Internal Kit	Description
N/A	

Limited Slip Differential	Description
542051	Auburn Pro

Axle Shaft	Application	Length	Studs	Spline	Side
N/A					

Chrysler 8.75" Axle Late 1.875" Pinion Shaft (12 Bolt Cover)



GR-C875
10 HOLES
ROUND

Rebuild Kit	Description	Ring & Pinion	Ratio
DRK-301	Standard Kit	C875355L	3.55 (39-11)
DRK-301MK	Master Kit	C875390L	3.90 (43-11)
		C875410L	4.10 (41-10)
		C875430L	4.30 (43-10)
		C875457L	4.57 (32-7)
		C875486L	4.86 (34-7)
		C875513L	5.13 (41-8)
		C875538L	5.38 (43-8)

Open Case	Ratio
N/A	

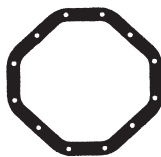
Internal Kit	Description
N/A	

Limited Slip Differential	Description
542051	Auburn Pro

Axle Shaft	Application	Length	Studs	Spline	Side
N/A					

Axle Product by Axle Size

Chrysler 9.25" Axle (12 Bolt Cover)



GR-C925
12 HOLES

Rebuild Kit	Description	Ring & Pinion	Ratio
DRK-304	Standard Kit – (69-00)	C925321	3.21 (45-14)
DRK-304MK	Master Kit – (69-00)	C925355	3.55 (39-11)
DRK-304A	Standard Kit – (01-On)	C925390	3.90 (43-11)
DRK-304AMK	Master Kit – (01-On)	C925410	4.10 (41-10)
		C925456	4.56 (41-9)

Open Case	Description	Limited Slip Differential	Description
C925-CASE		542071	Auburn HP (68-83)
		542070	Auburn HP (84-On)

Internal Kit	Description
C925-IK	

Axle Shaft	Application	Length	Studs	Spline	Side
AS3723824	Passenger Car (78 & Earlier)	31 ¹¹ / ₁₆ "	5	31	R&L
AS3723824	1/2 Ton 2WD Truck (75-83)	31 ¹¹ / ₁₆ "	5	31	R&L
AS4137429	1/2 Ton 2WD Truck (4/3/84-93)	31 ⁵ / ₈ "	5	31	R&L
AS52067614	1/2 Ton 2WD Truck (94-00)	34"	5	31	R&L
AS3723824	1/2 Ton 4x4 Truck (74-79)	31 ¹¹ / ₁₆ "	5	31	R&L
AS4037726	1/2 Ton 4x4 Truck (80-4/2/84)	31 ⁵ / ₈ "	5	31	R&L
AS52067614	1/2 Ton 4x4 Truck (94-00)	34"	5	31	R&L
AS3723824	Ram Charger 2WD (75-83)	31 ¹¹ / ₁₆ "	5	31	R&L
AS4137429	Ram Charger 2WD (4/3/84-93)	31 ⁵ / ₈ "	5	31	R&L
AS3723824	Ram Charger 4x4 (74-79)	31 ¹¹ / ₁₆ "	5	31	R&L
AS4037726	Ram Charger 4x4 (80-4/2/84)	31 ⁵ / ₈ "	5	31	R&L
AS52067708AB	Van 2WD (92-02)	32 ⁹ / ₁₆ "	5	31	R&L

Call for all other applications or dimensions.

Rear Wheel Bearing/Seal Application	Bearing	Seal
All 9.25" R.G. exc. HD axle	6408/RP-6408	8835-S
All 9.25" R.G. HD axle	R1561TV/RP-1561-FO	710067

Chrysler 11.5" Rear Axle

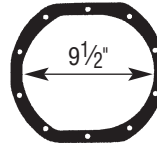
Rebuild Kit	Description	Ring & Pinion	Ratio
DRK-327	Standard Kit (Dodge Ram 1 ton) (03-On)	C115373	3.73
DRK-327MK	Master Kit (Dodge Ram 1 ton) (03-On)	C112410	4.10

Loaded Open Case	Description	Limited Slip Differential	Description
40023075	Open Differential Original OE	40025134	Locking Differential Original OE

Axle Shaft	Application	Length	Studs	Spline	Side
AS40022279	Dodge Ram 1 ton (03-On) Single Rear Wheel				R&L
AS40022280	Dodge Ram 1 ton (03-On) Double Rear Wheel				R&L

Axle Product by Axle Size

Ford 7.5" Axle (10 Bolt Cover)



GR-F750
10 HOLES

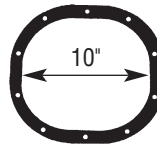
Rebuild Kit	Description	Ring & Pinion	Ratio
DRK-315	Standard Kit	FD75373	3.73 (41-11)
DRK-315MK	Master Kit	FD75410	4.10 (41-10)
		FD75456	4.56 (41-9)
		FD75513	5.13 (41-8)
Open Case	Ratio	Limited Slip Differential	Description
FD75-CASE		542048	Auburn Pro
		542023	Auburn HP
Internal Kit	Description		
FD75-IK			

Axle Shaft	Application	Length	Studs	Spline	Side
ASE3TZ4234C	Aerostar 2WD & 4x4 (86-97)	29 1/8"	5	28	R
ASE69Z4234A	Aerostar 2WD & 4x4 (86-97)	32 1/4"	5	28	L
ASE4TZ4234A	Bronco II 2WD & 4x4 (83-91)	27 11/16"	5	28	R
ASE3TZ4234C	Bronco II 2WD & 4x4 (83-92)	29 1/8"	5	28	L
ASE3TZ4234B	Ranger 2WD & 4x4 (83-92)	26 1/4"	5	28	R
ASE3TZ4234C	Ranger 2WD & 4x4 (83-92)	29 1/8"	5	28	L

Call for all other applications or dimensions.

Rear Wheel Bearing/Seal Application	Bearing	Seal
All 7.5" R.G. axles	5707/RP-5707	8660-S

Ford 8" Axle (10 Bolt Cover)



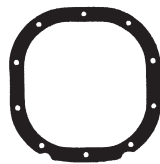
GR-F800
10 HOLES

Rebuild Kit	Description	Ring & Pinion	Ratio
DRK-310	Standard Kit	FD8300	3.00 (39-13)
DRK-310MK	Master Kit	FD8355	3.55 (39-11)
		FD8380	3.80 (38-10)
		FD8411	4.11 (37-9)
		FD8462	4.62 (37-8)
Open Case	Description	Limited Slip Differential	Description
N/A		542059	Auburn Pro
Internal Kit	Description		
N/A			

Axle Shaft	Application	Length	Studs	Spline	Side
N/A					

Axle Product by Axle Size

Ford 8.8" Axle (10 Bolt Cover)



GR-F880
10 HOLES

Rebuild Kit	Description	Ring & Pinion	Ratio
DRK-311	Standard Kit	FD88308	3.08 (40-13)
DRK-311MK	Master Kit	FD88355	3.55 (39-11)
		FD88373	3.73 (41-11)
		FD88410	4.10 (41-10)
		FD88433	4.33 (39-9)
		FD88456	4.56 (41-9)
		FD88514	5.14 (36-7)

Open Case	Ratio
FD 88-CASE	

Internal Kit	Description
FD88-IK	87-On (31 Spline)

Limited Slip Differential	Description
542080	Auburn Pro (28 Spline)
542054	Auburn Pro (31 Spline)
542079	Auburn HP (28 Spline)
542025	Auburn HP (31 Spline)
19605-010	Eaton (28 Spline)
19558-010	Eaton (31 Spline)
19660-010	Eaton (31 Spline) E-locker
19685-010	Eaton (28 Spline) E-locker

Axle Shaft	Application	Length	Studs	Spline	Side
ASE3TZ4234D	Bronco 2WD & 4x4 (83-86)	31 ¹ / ₁₆ "	5	31	R
ASE3TZ4234E	Bronco 2WD & 4x4 (83-86)	33 ³ / ₁₆ "	5	31	L
ASE7TZ4234A	Bronco 2WD & 4x4 (87-96)	31 ¹ / ₁₆ "	5	31	R
ASE7TZ4234B	Bronco 2WD & 4x4 (87-96)	33 ³ / ₁₆ "	5	31	L
ASF75Z4234AA	Expedition 2WD & 4x4 Van (97-On)	31 ³ / ₄ "	5	31	R
ASF75Z4234AB	Expedition 2WD & 4x4 Van (97-On)	33 ³ / ₈ "	5	31	L
ASF1TZ4234A	Explorer 2WD & 4x4 (90 ¹ / ₂ -94)	27 ³ / ₄ "	5	31	R
ASF1TZ4234B	Explorer 2WD & 4x4 (90 ¹ / ₂ -94)	30 ⁵ / ₈ "	5	31	L
ASF5TZ4234A	Explorer 2WD & 4x4 (95-On)	27 ⁵ / ₈ "	5	31	R
ASF5TZ4234B	Explorer 2WD & 4x4 (95-On)	30 ¹ / ₂ "	5	31	L
ASF1TZ4234A	Mazda Navajo 2WD & 4x4 (90 ¹ / ₂ -94)	27 ³ / ₄ "	5	31	R
ASF1TZ4234B	Mazda Navajo 2WD & 4x4 (90 ¹ / ₂ -94)	30 ⁵ / ₈ "	5	31	L
ASF5TZ4234A	Mountaineer 2WD & 4x5 (97-On)	27 ⁵ / ₈ "	5	31	R
ASF5TZ4234B	Mountaineer 2WD & 4x5 (97-On)	30 ¹ / ₂ "	5	31	L
ASD9BZ4234C	Mustang (79-83)	29"	4	28	R&L
ASE3TZ4234C	Mustang (79-93)	29 ¹ / ₈ "	5	28	R&L
ASF4ZZ4234B	Mustang (94-98)	29 ¹⁵ / ₁₆ "	5	28	R&L
ASF37Z4234A	Ranger 2WD & 4x4 (93-97)	27 ¹ / ₄ "	5	28	R
ASF37Z4234B	Ranger 2WD & 4x4 (93-97)	30 ¹ / ₈ "	5	28	L
ASE3TZ4234E	1/2 Ton 2WD & 4x4 Truck (83-86)	33 ³ / ₁₆ "	5	31	L
ASE7TZ4234A	1/2 Ton 2WD & 4x4 Truck (87-96)	31 ¹ / ₁₆ "	5	31	R
ASE7TZ4234B	1/2 Ton 2WD & 4x4 Truck (87-96)	33 ³ / ₁₆ "	5	31	L
ASE7TZ4234A	1/2 Ton 2WD & 4x4 Van (87-97)	31 ¹ / ₁₆ "	5	31	R
ASE7UZ4234E	1/2 Ton 2WD Van (87-On)	35 ⁵ / ₈ "	5	31	L
ASF75Z4234AA	1/2 Ton 2WD & 4x4 Van (97-On)	31 ³ / ₄ "	5	31	R
ASF75Z4234AB	1/2 Ton 2WD & 4x4 Van (97-On)	33 ³ / ₈ "	5	31	L

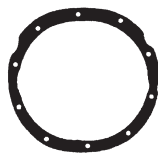
Call for all other applications or dimensions.

Rear Wheel Bearing/Seal Application	Bearing	Seal
All Ford Full Size/Mid Size & Mustang w/8.8" R.G. axles	5707/RP-5707	8660-S
Ranger/Aerostar/1/2 ton & 3/4 ton w/8.8" R.G. axles	6408/RP-6408	8835-S

Ford 8.8" IFS Axle

Rebuild Kit	Description	Ring & Pinion	Ratio		
DRK-311F	Standard Kit	N/A			
DRK-311FMK	Master Kit				
Open Case	Ratio	Limited Slip Differential	Description		
N/A		N/A			
Internal Kit	Description				
N/A					
Axle Shaft	Application	Length	Studs	Spline	Side
N/A					

Ford 9" Axle (Removable 10 Bolt Carrier)



GR-F900
10 HOLES

Rebuild Kit	Description	Ring & Pinion	Ratio
DRK-312	Standard Kit – (57-70)	FD9280	2.80 (42-15)
DRK-312MK	Master Kit – (57-70)	FD9286	2.86 (40-14)
DRK-313	Standard Kit – (70-86)	FD9294	2.94 (47-16)
DRK-313MK	Master Kit – (70-86)	FD9300	3.00 (39-13)
		FD9315	3.15 (41-13)
		FD9325	3.25 (39-12)
		FD9350	3.50 (35-10)
		FD9355	3.55 (39-11)
		FD9360	3.60 (36-10)
		FD9370	3.70 (37-10)
		FD9375	3.75 (45-12)
		FD9382	3.82 (42-11)
		FD9389	3.89 (35-9)
		FD9400	4.00 (36-9)
		FD9411	4.11 (37-9)
		FD9422	4.22 (38-9)
		FD9430	4.30 (43-10)
		FD9433	4.33 (39-9)
		FD9444	4.44 (40-9)
		FD9456	4.56 (41-9)
		FD9457	4.57 (32-7)
		FD9463	4.63 (37-8)
		FD9471	4.71 (33-7)
		FD9486	4.86 (34-7)
		FD9500	5.00 (35-7)
		FD9514	5.14 (36-7)
		FD9529	5.29 (37-7)
		FD9543	5.43 (38-7)
		FD9567	5.67 (34-6)
		FD9583	5.83 (35-6)
		FD9600	6.00 (36-6)
		FD9620	6.20 (31-5)
		FD9633	6.33 (38-6)
		FD9650	6.50 (39-6)

Open Case

FD9-CASE 28 & 31 Spline-All

Internal Kit

FD9-IK31-2 2 Pinion, 31 Spline
 FD9-IK31-4 4 Pinion, 31 Spline
 FD9-IK28-2 2 Pinion, 28 Spline
 FD9-IK28-4 4 Pinion, 28 Spline

Call for all other applications.

Limited Slip Differential

542043 Auburn Pro (28 Spline)
 542036 Auburn Pro (31 Spline)

Description

Ford 9" Axle (Removable 10 Bolt Carrier) continued

Axle Shaft	Application	Length	Studs	Spline	Side
ASD6TZ4234A	9" F150 & E150, 74-86	31 ²⁷ / ₃₂ "	5	31	R&L
AS5781L	Bronco 2WD & 4x4 w/ Small Wheel Bearing (66-75)	27 ¹ / ₄ "	5	28	L
AS5781R	Bronco 2WD & 4x4 w/ Small Wheel Bearing (66-75)	29 ⁵ / ₈ "	5	28	R
AS5783L	Bronco 2WD & 4x4 w/ Large Wheel Bearing (66-75)	26 ¹⁵ / ₁₆ "	5	28	L
AS5783R	Bronco 2WD & 4x4 w/ Large Wheel Bearing (66-75)	29 ⁵ / ₁₆ "	5	28	R
AS5785L	Bronco 2WD & 4x4 w/ Large Wheel Bearing (74-75)	27 ¹ / ₄ "	5	28	L
AS5785R	Bronco 2WD & 4x4 w/ Large Wheel Bearing (74-75)	29 ³ / ₄ "	5	28	R
AS5787L	Bronco 2WD & 4x4 w/ Large Wheel Bearing (76-77)	27 ¹ / ₄ "	5	28	L
AS5787R	Bronco 2WD & 4x4 w/ Large Wheel Bearing (76-77)	29 ¹¹ / ₁₆ "	5	28	R
AS6070A	Fairlane (63)	26"	5	31	L
AS6070A	Mustang (64-66)	26"	5	31	L
AS6070B	Fairlane (63)	30 ¹ / ₈ "	5	31	R
AS6070B	Mustang (64-66)	30 ¹ / ₈ "	5	31	R
ASC90Z4234D	Mustang & Cougar (66-70)	27 ¹ / ₈ "	5	31	L
ASC90Z4234C	Mustang & Cougar (66-70)	31 ¹ / ₄ "	5	31	R
ASD1ZZ4234B	Mustang & Cougar (71-72)	27 ⁷ / ₈ "	5	31	L
ASD1ZZ4234A	Mustang & Cougar (71-72)	31 ⁷ / ₈ "	5	31	R
ASD6TZ4234A	1/2 Ton 2WD & 4x4 Truck w/ Small Wheel Bearing (74-86)	31 ²⁷ / ₃₂ "	5	31	R&L
ASD6TZ4234A	1/2 Ton 2WD & 4x4 Van w/ Small Wheel Bearing (74-86)	31 ²⁷ / ₃₂ "	5	31	R&L

Call for all other applications or dimensions.

Rear Wheel Bearing/Seal Application	Bearing	Seal
(83-86) Bronco, E100, E150, F150, w/9" R.G.	A20	3195
(80-83) F100 (2800 lb. Axle) w/9" R.G.	88128-RA	51098
(80-83) F100 (3850 lb. Axle) w/9" R.G.	A20	3195

Axle Product by Axle Size

Ford 9.75" Axle (12 Bolt Cover)

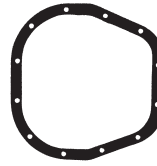
Rebuild Kit	Description	Ring & Pinion	Ratio
DRK-316	Standard Kit – (97-99)	FD975308	3.08 (40-13)
DRK-316MK	Master Kit – (97-99)	FD975331	3.31 (43-13)
DRK-316A	Standard Kit – (99-On)	FD975355	3.55 (39-11)
DRK-316AMK	Master Kit – (99-On)		
Open Case	Ratio	Limited Slip Differential	Description
N/A		542090	Auburn HP
		19627-010	Eaton
Internal Kit	Description		
N/A			

Axle Shaft	Application	Length	Studs	Spline	Side
ASF75Z4234MA	Expedition 2WD & 4x4 w/ 1.618" Wheel Bearing (97-99)	31 ³ / ₄ "	5	34	R
ASF75Z4234MB	Expedition 2WD & 4x4 w/ 1.618" Wheel Bearing (97-99)	33 ³ / ₈ "	5	34	L
ASF75Z4234LA	Expedition 2WD & 4x4 w/ 1.705" Wheel Bearing (99-On)	31 ³ / ₄ "	5	34	R
ASF75Z4234LB	Expedition 2WD & 4x4 w/ 1.705" Wheel Bearing (99-On)	33 ³ / ₈ "	5	34	L
ASF75Z4234MA	Navigator 2WD & 4x4 w/ 1.618" Wheel Bearing (97-99)	31 ³ / ₄ "	5	34	R
ASF75Z4234MB	Navigator 2WD & 4x4 w/ 1.618" Wheel Bearing (97-99)	33 ³ / ₈ "	5	34	L
ASF75Z4234LA	Navigator 2WD & 4x4 w/ 1.705" Wheel Bearing (99-On)	31 ³ / ₄ "	5	34	R
ASF75Z4234LB	Navigator 2WD & 4x4 w/ 1.705" Wheel Bearing (99-On)	33 ³ / ₈ "	5	34	L
ASF75Z4234MA	1/2 Ton 2WD & 4x4 Truck w/ 1.618" Wheel Bearing (97-99)	31 ³ / ₄ "	5	34	R
ASF75Z4234MB	1/2 Ton 2WD & 4x4 Truck w/ 1.618" Wheel Bearing (97-99)	33 ³ / ₈ "	5	34	L
ASF75Z4234LA	1/2 Ton 2WD & 4x4 Truck w/ 1.705" Wheel Bearing (99-On)	31 ³ / ₄ "	5	34	R
ASF75Z4234LB	1/2 Ton 2WD & 4x4 Truck w/ 1.705" Wheel Bearing (99-On)	33 ³ / ₈ "	5	34	L

Call for all other applications or dimensions.

Rear Wheel Bearing/Seal Application	Bearing	Seal
(97-On) F150 & Expedition w/9.75" R.G. axles	R1561TV/RP1561-F0	100357

Ford 10.25" Axle (12 Bolt Cover)



GR-F1025
12 HOLES

Rebuild Kit	Description	Ring & Pinion	Ratio
DRK-314	Standard Kit	FD10355	3.55 (39-11)
DRK-314MK	Master Kit	FD10355-A	3.55 (39-11) – (93-On)
		FD10373	3.73 (41-11)
		FD10373-A	3.73 (41-11) – (93-On)
		FD10410	4.10 (41-10)
		FD10410-A	4.10 (41-10) – (93-On)
		FD10456	4.56 (41-9)
		FD10456-A	4.56 (41-9) – (93-On)

Open Case	Ratio
FD1025-CASE	

Internal Kit	Description
FD1025-IK	

Limited Slip Differential	Description
542089	Auburn HP
19694-010	Eaton

Axle Shaft	Application	Length	Studs	Spline	Side
ASE6TZ4234B	3/4 Ton 2WD & 4x4 Truck (86-97)	30 9/16"	8	35	R
ASE6TZ4234C	3/4 Ton 2WD & 4x4 Truck (86-97)	33"	8	35	L

Call for all other applications or dimensions.

Rear Wheel Bearing/Seal Application	Bearing	Seal
(85-99) F250 10.25" R.G. full floating axle	Inner 3994/3920 Outer A38	Inner 370047-A
(80-99) F250 10.25" R.G. semi-floating axle	R1561TV/RP1561-FO	710067

Ford 10.5" Axle (12 Bolt Cover)

Rebuild Kit	Description	Ring & Pinion	Ratio
DRK-317	Standard Kit	FD105410	4.10 (41-10)
DRK-317MK	Master Kit	FD105456	4.56 (41-9)

Open Case	Description
N/A	

Internal Kit	Description
N/A	

Limited Slip Differential	Description
542089	Auburn HP
19694-010	Eaton

Axle Shaft	Application	Length	Studs	Spline	Side
N/A					

Rear Wheel Bearing/Seal Application	Bearing	Seal
(99-On) F250/F350 10.5 R.G. axles	A38	

Axle Product by Axle Size

GMC 7.25" IFS Axle

Rebuild Kit	Description	Ring & Pinion	Ratio
DRK-320A	Standard Kit	GM725308	3.08 (40-13)
DRK-320AMK	Master Kit	GM725342	3.42 (41-12)
		GM725373	3.73 (41-11)
Open Case	Ratio	Limited Slip Differential	Description
GM725-CASE		N/A	
Internal Kit	Description		
GM725-IK			

Axle Shaft	Application	Length	Studs	Spline	Side
N/A					

GMC 7.5"/ 7.625" Axle



GR-G750
10 HOLES

Rebuild Kit	Description	Ring & Pinion	Ratio
DRK-320	Standard Kit – (82-98)	GM75256	2.56 (41-16) Discontinued
DRK-320MK	Master Kit – (82-98)	GM75273	2.73 (41-15)
DRK-320B	Standard Kit – (77-81)	GM75308	3.08 (40-13)
DRK-320BMK	Master Kit – (77-81)	GM75323	3.23 (42-13)
DRK-320C	Standard Kit – (99-On)	GM75342	3.42 (41-12)
DRK-320CMK	Master Kit – (99-On)	GM75373	3.73 (41-11)
		GM75410	4.10 (41-10)
		GM75456	4.56 (41-9)
Open Case	Ratio		
GM75-CASE	3.23 & higher 26 spline (89-earlier)		
GM76-CASEL	3.08 & lower 28 spline (89-On)		
GM76-CASEH	3.23 & higher 28 spline (89-On)		
Internal Kit	Description		
GM75-IK	7.5" (89-earlier, 26 Spline)		
GM76-IK	7.6" (89-On, 28 Spline)		

Axle Product by Axle Size

GMC 7.5"/7.625" Axle continued

Limited Slip Differential	Description	Limited Slip Differential	Description
542044	Auburn Pro (76-88) (3.23 & Higher, 26 Spline)	542041	Auburn HP (88-On) (3.08 & Lower, 28 Spline)
542045	Auburn Pro (76-88) (3.08 & Lower, 26 Spline)	19663-010	Eaton (76-88) (3.23 & Higher, 26 Spline)
542046	Auburn Pro (88-On) (3.23 & Higher, 28 Spline)	19599-010	Eaton (88-On) (3.23 & Higher, 28 Spline)
542047	Auburn Pro (88-On) (3.08 & Lower, 28 Spline)	40004010	Trac Rite LSD (GMC OE) 2.73 ratio (90-On)
542057	Auburn HP (76-88) (3.23 & Higher, 26 Spline)	40004011	Trac Rite LSD (GMC OE) 3.23, 3.42 ratio (90-On)
542058	Auburn HP (76-88) (3.08 & Lower, 26 Spline)	26046172	Gov Lock (GMC OE) 3.23 - 4.10 (88-On)
542040	Auburn HP (88-On) (3.23 & Higher, 28 Spline)	26046173	Gov Lock (GMC OE) 3.08 (88-On)

Axle Shaft	Application	Length	Studs	Spline	Side
AS14074822	Astro Van 2WD (85-89)	30 ⁵ / ₁₆ "	5	26	R
AS14074821	Astro Van 2WD (85-89)	34 ³ / ₄ "	5	26	L
AS26011055	Astro Van 2WD & 4x4 (90-98)	30 ⁵ / ₁₆ "	5	28	R
AS26011054	Astro Van 2WD & 4x4 (90-98)	34 ¹³ / ₁₆ "	5	28	L
AS26013882	Bravado 4x4 (94-96)	29"	5	28	R&L
AS26031252	Camaro (90-92)	30 ⁵ / ₁₆ "	5	28	R&L
AS26027588	Camaro (93-96)	32"	5	28	R&L
AS26059972	Camaro (98-02)	32"	5	28	R&L
AS26031252	Firebird (90-92)	30 ⁵ / ₁₆ "	5	28	R&L
AS26027588	Firebird (93-96)	32"	5	28	R&L
AS26059972	Firebird (98-02)	32"	5	28	R&L
AS14030355	Jimmy 2WD (83-89)	26 ⁹ / ₁₆ "	5	26	R&L
AS14035368	Jimmy 4x4 (83-89)	29"	5	26	R&L
AS26013882	Jimmy 4x4 (88-98)	29"	5	28	R&L
AS14030355	S10 2WD (83-88)	26 ⁹ / ₁₆ "	5	26	R&L
AS26015759	S10 2WD (88-94)	26 ⁹ / ₁₆ "	5	28	R&L
AS14035368	S10 4x4 (83-89)	29"	5	26	R&L
AS26013882	S10 4x4 (88-98)	29"	5	28	R&L
AS14030355	S10 Blazer 2WD (83-89)	26 ⁹ / ₁₆ "	5	26	R&L
AS14035368	S10 Blazer 4x4 (83-89)	29"	5	26	R&L
AS26013882	S10 Blazer 4x4 (88-98)	29"	5	28	R&L
AS14030355	S15 2WD (83-89)	26 ⁹ / ₁₆ "	5	26	R&L
AS14035368	S15 4x4 (83-89)	29"	5	26	R&L
AS26013882	S15 4x4 (88-98)	29"	5	28	R&L
AS14035368	Sonoma 4x4 (83-89)	29"	5	26	R&L
AS26013882	Sonoma 4x4 (88-98)	29"	5	28	R&L

Call for all other applications or dimensions.

Rear Wheel Bearing/Seal Application	Bearing	Seal
(80-On) All Full Size/Mid Size/El Camino w/7.5"/7.625" R.G. axles	5707/RP-5707	8660-S
(99-On) S10 Blazer 7.6" R.G. axle w/limited slip	513023	4795-V
(92-On) S10, S10 Blazer 7.6" R.G. axle (Axle Code "C")	5707/RP-5707	710166
(92-On) S10, S10 Blazer 7.6" R.G. axle (Axle Code "K")	5707/RP-5707	8660-S

Axle Product by Axle Size

GMC 8" Axle

Rebuild Kit	Description	Ring & Pinion	Ratio
DRK-320D	Standard Kit	GM8342	3.42
DRK-320DMK	Master Kit	GM8373	3.73
		GM8410	4.10
Open Case	Ratio	Limited Slip Differential	Description
GM8-CASE		N/A	
Internal Kit	Description		
GM8-IK			

Axle Shaft	Application	Length	Studs	Spline	Side
AS12479016				28	L
AS12479017				28	R

Call for all other applications or dimensions.

GMC 8.25" IFS Axle

Rebuild Kit	Description	Ring & Pinion	Ratio
DRK-321A	Standard Kit	GM825342	3.42 (41-12)
DRK-321AMK	Master Kit	GM825373	3.73 (41-11)
		GM825410	4.10 (41-10)
		GM825456	4.56 (41-9)
Open Case	Ratio	Limited Slip Differential	Description
GM825-CASE		N/A	
Internal Kit	Description		
GM825-IK			

Axle Shaft	Application	Length	Studs	Spline	Side
N/A					

GMC 8.2" Axle

Rebuild Kit	Description	Ring & Pinion	Ratio
DRK-321B	Standard Kit (64-72)	GM82308	3.08 (40-13)
DRK-321BMK	Master Kit (64-72)	GM82336	3.36 (37-11)
DRK-321G	Standard Kit (55-64)	GM82355	3.55 (39-11)
DRK-321GMK	Master Kit (55-64)	GM82355-BOP	3.55 (39-11)
DRK-321H	Standard Kit (64-71) Buick, Olds & Pontiac	GM82373	3.73 (41-11)
DRK-321HMK	Master Kit (64-71) Buick, Olds & Pontiac	GM82390-BOP	3.90 (39-10)
		GM82410	4.10 (41-10)
		GM82411-BOP	4.11 (37-9)
		GM82456	4.56 (41-9)
		GM82456-BOP	4.56 (41-9)
		GM82488	4.88 (39-8)
		GM82513	5.13 (41-8)

Open Case	Ratio
N/A	

Internal Kit	Description
N/A	

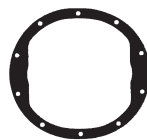
Limited Slip Differential	Description
542099	Auburn Pro (2.93 - 3.23 w/Non C-Lock Axle)
542060	Auburn Pro (3.36 & Higher w/Non C-Lock Axle)
542061	Auburn Pro (3.08 & Higher w/C-Lock Axle)
19670-010	Eaton Corvette Only (3.08-3.70 Ratios)
19673-010	Eaton Corvette Only (4.11-4.56 Ratios)
19674-010	Eaton Buick, Oldsmobile & Pontiac (3.08 & Higher)
19603-010	Eaton Chevy (3.08 & Higher) (64-72)
19686-010	Eaton Chevy (3.90 & Lower) (55-64)

Axle Shaft	Application	Length	Studs	Spline	Side
AS1255803	Camaro (67-69)	29 ⁵ / ₈ "	5	28	R&L
AS1255802	Camaro (70-81)	30 ¹ / ₈ "	5	28	R&L
AS1255803	Chevelle (65-67)	29 ⁵ / ₈ "	5	28	R&L
AS1255802	Chevelle (68-72)	30 ¹ / ₈ "	5	28	R&L
AS1255802	El Camino (68-72)	30 ¹ / ₈ "	5	28	R&L
AS6062	Firebird (66-69)	30"	5	28	R&L
AS6062	GTO (66-69)	30"	5	28	R&L
AS3863726	Nova 10 Bolt (65-67)	28 ⁵ / ₈ "	5	28	R&L
AS1255803	Nova (70-75)	29 ⁵ / ₈ "	5	28	R&L

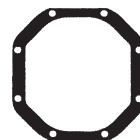
Call for all other applications or dimensions.

Axle Product by Axle Size

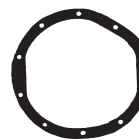
GMC 8.5"/8.6" Axle (10 Bolt Cover)



GR-G850
10 HOLES
All Exc. Corvette
& Truck (80-81)



GR-G850C
8 HOLES
Corvette



GR-G850T
10 HOLES
Truck (80-81)

Rebuild Kit	Description
DRK-321	Standard Kit (70-99) F/R Open
DRK-321MK	Master Kit (70-99) F/R Open
DRK-321R	Standard Kit (70-99) R Open
DRK-321RMK	Master Kit (70-99) R Open
DRK-321D	Standard Kit (70-99) LSD
DRK-321DMK	Master Kit (70-99) LSD
DRK-321C	Standard Kit (99-On) R Open/LSD
DRK-321CMK	Master Kit (99-On) R Open/LSD
DRK-323	Standard Kit Corvette (63-79) Truck (80-81)
DRK-323MK	Master Kit Corvette (63-79) Truck (80-81)

***Requires a modified cross shaft for installation.*

Open Case	Description
GM85-Case	(98-Earlier)
GM85-Case B ***	(99-00 ¹ / ₂) (Case Open Both Sides)
GM85-Case C	(00 ¹ / ₂ -On) (Case Closed One Side)

****GM85-Case B is OBSOLETE -Replaced by GM85-Case C but you must update internals to GM85-1KC.*

Internal Kit	Description
GM85-1K28	(89-Earlier) (28 Spl.)
GM85-1K30	(89-98) (30 Spl.)
GM85-1KB	(99-00 ¹ / ₂) (30 Spl.)
GM85-1KC	(00 ¹ / ₂ -On) (30 Spl.)

Ring & Pinion	Ratio
GM85308	3.08 (40-13)
GM85308-V	3.08 (40-13)
GM85323	3.23 (42.13)
GM85323-V	3.23 (42-13)
GM85342	3.42 (41-12)
GM85355-V	3.55 (39-11)
GM85370	3.70 (37-10)
GM85373	3.73 (41-11)
GM85390	3.90 (39-10)
GM85390-V	3.90 (39-10)
GM85410	4.10 (41-10)
GM85411-V	4.11 (37-9)
GM85456	4.56 (41-9)
GM85488	4.88 (39-08)
GM85513	5.13 (41-08)
GM85538 **	5.38 (43-08)
GM85557 **	5.57 (39-07)

***Requires a modified cross shaft for installation.*

Limited Slip Differential	Description
542050	Auburn Pro (28 Spline)
542052	Auburn Pro (30 Spline)
542018	Auburn HP (28 Spline)
542022	Auburn HP (30 Spline) (89-98) 2.73 & Higher
542029	Auburn HP (30 Spline) (89-98) 2.56 & Lower
542097	Auburn HP (30 Spline) (99-On)
19557-010	Eaton (28 Spline)
19559-010	Eaton (30 Spline)
19659-010	Eaton (30 Spline) E-locker
40007754	Gov Lock (GM OE) 2.73 - 4.10 (99-On)

GMC 8.5"/8.6" Axle continued

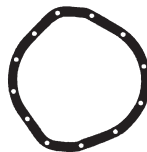
Axle Shaft	Application	Length	Studs	Spline	Side
AS14035542	Blazer 2WD (79-89)	31 ³ / ₈ "	5	28	R&L
AS26010415	Blazer 2WD (88-91)	31 ³ / ₈ "	5	30	R&L
AS14039547	Blazer 4x4 (82-88)	31 ⁵ / ₁₆ "	6	28	R&L
AS26010414	Blazer 4x4 Non-IFS (88-91)	31 ⁵ / ₁₆ "	6	30	R&L
AS26018080	Caprice (91-96) w/Disc Brake	30 ⁷ / ₁₆ "	5	30	R&L
AS1255803	Camaro (67-69)	29 ⁵ / ₈ "	5	28	R&L
AS1255802	Camaro (70-81)	30 ¹ / ₈ "	5	28	R&L
AS1255803	Chevelle (65-67)	29 ⁵ / ₈ "	5	28	R&L
AS1255802	Chevelle (68-72)	30 ¹ / ₈ "	5	28	R&L
AS1255801	Chevelle (63-77)	30 ⁷ / ₁₆ "	5	28	R&L
AS1255802	El Camino (68-72)	30 ¹ / ₈ "	5	28	R&L
AS1255801	El Camino (73-77)	30 ⁷ / ₁₆ "	5	28	R&L
AS14035542	Jimmy 2WD (79-89)	31 ³ / ₈ "	5	28	R&L
AS14039547	Jimmy 4x4 (82-88)	31 ⁵ / ₁₆ "	6	28	R&L
AS26010414	Jimmy 4x4 Non-IFS (88-91)	31 ⁵ / ₁₆ "	6	30	R&L
AS1255803	Nova (70-75)	29 ⁵ / ₈ "	5	28	R&L
AS14035542	Suburban 2WD (79-89)	31 ³ / ₈ "	5	28	R&L
AS26010415	Suburban 2WD (88-91)	31 ³ / ₈ "	5	30	R&L
AS26010417	Suburban 2WD (92-98)	31 ¹³ / ₁₆ "	5	30	R&L
AS14039547	Suburban 4x4 (81-88)	31 ⁵ / ₁₆ "	6	28	R&L
AS26010414	Suburban 4x4 Non-IFS (88-91)	31 ⁵ / ₁₆ "	6	30	R&L
AS26010416	Suburban 2WD & 4x4 (92-98)	33"	6	30	R&L
AS12471369	Suburban 2WD & 4x4 (99-02)	33 ⁵ / ₈ "	6	30	R&L
AS26010417	Tahoe 2WD (94-98)	31 ¹³ / ₁₆ "	5	30	R&L
AS26010416	Tahoe 2WD & 4x4 (92-98)	33"	6	30	R&L
AS12471369	Tahoe 2WD & 4x4 (99-02)	33 ⁵ / ₈ "	6	30	R&L
AS26010416	Yukon 2WD & 4x4 (92-98)	33"	6	30	R&L
AS26010417	Yukon 2WD (94-98)	31 ¹³ / ₁₆ "	5	30	R&L
AS12471369	Yukon 2WD & 4x4 (99-02)	33 ⁵ / ₈ "	6	30	R&L
AS14035542	Chevy 1/2 Ton 2WD Truck (79-87)	31 ³ / ₈ "	5	28	R&L
AS26010417	Chevy 1/2 Ton 2WD Truck (88-98)	31 ¹³ / ₁₆ "	5	30	R&L
AS15521892	Chevy 1/2 Ton 2WD & 4x4 Truck IFS (88-98)	33"	6	28	R&L
AS12471369	Chevy 1/2 Ton 2WD & 4x4 Truck (99-02)	33 ⁵ / ₈ "	6	30	R&L
AS14039547	Chevy 1/2 Ton 4x4 Truck (81-88)	31 ⁵ / ₁₆ "	6	28	R&L
AS14042690	Chevy 1/2 Ton 2WD Van (75-88)	33 ⁵ / ₁₆ "	5	28	R&L
AS26013313	Chevy 1/2 Ton 2WD Van (88-95)	33 ⁵ / ₁₆ "	5	30	R&L
AS14042690	Chevy 3/4 Ton 2WD Van (79-88)	33 ⁵ / ₁₆ "	5	28	R&L
AS26013313	Chevy 3/4 Ton 2WD Van (88-95)	33 ⁵ / ₁₆ "	5	30	R&L
AS14035542	GMC 1/2 Ton 2WD Truck (79-87)	31 ³ / ₈ "	5	28	R&L
AS26010417	GMC 1/2 Ton 2WD Truck (88-98)	31 ¹³ / ₁₆ "	5	30	R&L
AS15521892	GMC 1/2 Ton 2WD & 4x4 Truck IFS (88-98)	33"	6	28	R&L
AS12471369	GMC 1/2 Ton 2WD & 4x4 Truck (99-02)	33 ⁵ / ₈ "	6	30	R&L
AS14039547	GMC 1/2 Ton 4x4 Truck (81-87)	31 ⁵ / ₁₆ "	6	28	R&L
AS14042690	GMC 1/2 Ton 2WD Van (75-88)	33 ⁵ / ₁₆ "	5	28	R&L
AS26013313	GMC 1/2 Ton 2WD Van (88-95)	33 ⁵ / ₁₆ "	5	30	R&L
AS14042690	GMC 3/4 Ton 2WD Van (79-88)	33 ⁵ / ₁₆ "	5	28	R&L
AS26013313	GMC 3/4 Ton 2WD Van (88-95)	33 ⁵ / ₁₆ "	5	30	R&L
AS12479160	Trailblazer, Envoy (03-On)	6			L
AS12479161	Trailblazer, Envoy (03-On)	6			R

Call for all other applications or dimensions.

Rear Wheel Bearing/Seal Application	Bearing	Seal
(80-84) All 8.5" Chevrolet Axles Full Size	5707/RP-5707	8660-S
(80-87) All 8.5" Pontiac Axles Full Size	6408/RP-6408	8835-S
(80-88) All 8.5" GMC axles Mid Size	5707/RP-5707	8660-S
(02-On) S10 Extended Cab	513067/RP-513067	4762-N
(92-On) S10, S10 Blazer (Axle Code C)	5707/RP-5707	710166
(92-On) S10, S10 Blazer (Axle Code K)	5707/RP-5707	8660-S
(95-01) S10 Extended Cab (exc LSD)	6408/RP-6408	8835-S
(95-01) S10 Extended Cab LSD	513067/RP-513067	4762-N
(88-On) 1/2 Ton G, C, K 1500 series	513067/RP-513067	4762-N
(80-91) 1/2 Ton 10 series, R & V 1500 series	6408/RP-6408	8835-S

Axle Product by Axle Size

GMC 8.875" Axle (12 Bolt Cover) Car



GR-G887A
12 HOLES
CAR

Rebuild Kit	Description	Ring & Pinion	Ratio
DRK-323A	Standard Kit	GM12308-C	3.08 (40-13)
DRK-323AMK	Master Kit	GM12342-C	3.42 (41-12)
		GM12355-C	3.55 (39-11)
		GM12373-C	3.73 (41-11)
		GM12373-XC*	3.73 (41-11)
		GM12390-C	3.90 (39-10)
		GM12410-C	4.10 (41-10)
		GM12410-XC**	4.10 (41-10)
		GM12430-C	4.30 (43-10)
		GM12433-C	4.33 (39-9)
		GM12456-C	4.56 (41-9)
		GM12456-XC**	4.56 (41-9)
		GM12488-C	4.88 (39-8)
		GM12488-XC**	4.88 (39-8)
		GM12514-C	5.14 (36-7)
		GM12538-C	5.38 (43-8)
		GM12557-C	5.57 (39-7)
		GM12586-C	5.86 (41-7)
		GM12614-C	6.14 (43-7)

* Fits 3.90 ratio and numerically higher carrier.

** Fits 3.07 – 3.73 ratio carrier.

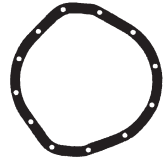
Limited Slip Differential	Description
542033	Auburn Pro 3 Series Case (3.07-3.73)
542031	Auburn Pro 4 Series Case (4.10 & Higher)
19554-010	Eaton 3 Series Case (3.07-3.73)
19555-010	Eaton 4 Series Case (3.90 & Higher)

Axle Shaft	Application	Length	Studs	Spline	Side
AS3969349	Camaro (67-69)	29 ⁹ / ₁₆ "	5	30	R&L
AS3969285	Camaro (70-72)	30 ¹ / ₁₆ "	5	30	R&L
AS3969349	Chevelle (65-67)	29 ⁹ / ₁₆ "	5	30	R&L
AS3969285	Chevelle (68-72)	30 ¹ / ₁₆ "	5	30	R&L
AS3969349	Chevy II (68-72)	29 ⁹ / ₁₆ "	5	30	R&L
AS3969285	El Camino (68-72)	30 ¹ / ₁₆ "	5	30	R&L

Call for all other applications or dimensions.

Axle Product by Axle Size

GMC 8.875" Axle (12 Bolt Cover) Truck



GR-G887
12 HOLES
TRUCK

Rebuild Kit	Description	Ring & Pinion	Ratio
DRK-322	Standard Kit	GM12308	3.08 (40-13)
DRK-322MK	Master Kit	GM12342	3.42 (41-12)
		GM12373	3.73 (41-11)
		GM12410	4.10 (41-10)
		GM12456	4.56 (41-9)
		GM12488	4.88 (39-8)
		GM12513 **	5.13 (41-8)
		GM12538 **	5.38 (43-8)

**Requires a modified cross shaft.

Open Case	Ratio
N/A	

Internal Kit	Description
GM12-1K	

Limited Slip Differential	Description
542034	Auburn Pro 3 Series Case (2.76-3.42)
542032	Auburn Pro 4 Series Case (3.73 & Higher)
19587-010	Eaton 3 Series Case (2.76-3.42)
19556-010	Eaton 4 Series Case (3.73 & Higher)

Axle Shaft	Application	Length	Studs	Spline	Side
AS3893605	Truck 2WD & 4x4 (65-69)	30 ³ / ₄ "	5/6	30	R&L
AS5855	Truck 2WD & 4x4 (65-69) 6 Lug to 5 Lug Conversion	30 ³ / ₄ "	5	30	R&L
AS14071751	Truck 2WD (70-81)	31 ⁵ / ₁₆ "	5	30	R&L
AS14071750	Truck 4x4 (70-81)	31 ⁹ / ₃₂ "	6	30	R&L

Call for all other applications or dimensions.

GMC 9.25" IFS Axle

Rebuild Kit	Description	Ring & Pinion	Ratio
DRK-324A	Standard Kit	GM925342	3.42 (41-12)
DRK-324AMK	Master Kit	GM925373	3.73 (41-11)
DRK-324C	Standard Kit (98-On)	GM925410	4.10 (41-10)
DRK-324CMK	Master Kit (98-On)	GM925456	4.56 (41-9)

Open Case	Ratio
GM95-CASE	

Internal Kit	Description
GM95-1K	

Limited Slip Differential	Description
19622-010	Eaton (82-On) E-locker

Axle Shaft	Application	Length	Studs	Spline	Side
N/A					

Axle Product by Axle Size

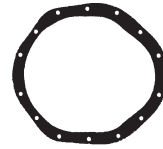
GMC 9.3" "C" Axle

Round Cover
 12 HOLES
 10³/₁₆" Dia.

Rebuild Kit	Description	Ring & Pinion	Ratio		
DRK-329	Standard Kit	GM93410	4.10 (41-10)		
DRK-329MK	Master Kit	GM93456	4.56 (41-9)		
		GM93488	4.88 (39-8)		
Open Case	Ratio	Limited Slip Differential	Description		
N/A		N/A			
Internal Kit	Description				
N/A					
Axle Shaft	Application	Length	Studs	Spline	Side
N/A					

Axle Product by Axle Size

GMC 9.5" Axle (14 Bolt Cover)



GR-G950
14 HOLES

Rebuild Kit	Description	Ring & Pinion	Ratio
DRK-324	Standard Kit – (81-97)	GM95342	3.42 (41-12)
DRK-324MK	Master Kit – (81-97)	GM95373	3.73 (41-11)
DRK-324B	Standard Kit – (98-On)	GM95410	4.10 (41-10)
DRK-324BMK	Master Kit – (98-On)	GM95456	4.56 (41-9)

Open Case	Ratio	Limited Slip Differential	Description
GM95-CASE		542087	Auburn HP (84-On)
		19590-010	Eaton (82-On)
		19684-010	Eaton (82-On) E-locker
		40000861	Gov Lock (GM OE) 3.23 - 4.56 (73-On)

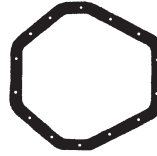
Internal Kit	Description
GM95-IK	

Axle Shaft	Application	Length	Studs	Spline	Side
AS15521928	Chevy 1/2 Ton 4x4 Truck (88-98)	33 1/8"	6	33	R&L
AS14035395	Chevy 3/4 Ton 2WD & 4x4 Truck (81-91)	32 9/16"	8	33	R&L
AS15522070	Chevy 3/4 Ton 2WD & 4x4 Truck (89-98)	31 13/16"	8	33	R&L
AS15521928	Chevy 3/4 Ton 4x4 Truck (88-98)	33 1/8"	6	33	R&L
AS15522070	Chevy 1 Ton 2WD & 4x4 Truck (88-89)	31 13/16"	8	33	R&L
AS15522068	Chevy 2WD Van	31 9/16"	6	33	R&L
AS14035395	Chevy 1 Ton 2WD & 4x4 Van (83-96)	32 9/16"	8	33	R&L
AS15521928	GMC 1/2 Ton 4x4 Truck (88-98)	33 1/8"	6	33	R&L
AS14035395	GMC 3/4 Ton 2WD & 4x4 Truck (81-91)	32 9/16"	8	33	R&L
AS15522070	GMC 3/4 Ton 2WD & 4x4 Truck (89-98)	31 13/16"	8	33	R&L
AS15521928	GMC 3/4 Ton 4x4 Truck (88-98)	33 1/8"	6	33	R&L
AS14035395	GMC 1 Ton 2WD & 4x4 Truck (83-96)	32 9/16"	8	33	R&L
AS15522070	GMC 1 Ton 2WD & 4x4 Truck (88-89)	31 13/16"	8	33	R&L
AS15522068	GMC 2WD Van	31 9/16"	6	33	R&L
AS14035395	Suburban 2WD & 4x4 (81-91)	32 9/16"	8	33	R&L
AS15522070	Suburban 2WD & 4x4 (92-98)	31 13/16"	8	33	R&L

Call for all other applications or dimensions.

Rear Wheel Bearing/Seal Application	Bearing	Seal
(88-On) 3/4 ton C & K series w/9.5" R.G.	R1561TV/RP1561-GM	710105
(87-91) 3/4 ton R & V series w/9.5" R.G.	R1561TV/RP1561-GM	3747
(81-86) All 3/4 ton 9.5" R.G.	R1561TV/RP1561-GM	3747
(92-95) 1 ton G30/G3500	R1561TV/RP1561-GM	710105
(83-91) 1 ton G30/G3500	R1561TV/RP1561-GM	3747

GMC 10.5" Axle (14 Bolt Cover)



GR-G1050
14 HOLES

Rebuild Kit	Description	Ring & Pinion	Ratio
DRK-325	Standard Kit – (72-88) 1st design	GM105342	3.42 (41-12)
DRK-325MK	Master Kit – (72-88) 1st design	GM105373	3.73 (41-11)
DRK-325A	Standard Kit – (88-97) 2nd design	GM105410	4.10 (41-10)
DRK-325AMK	Master Kit – (88-97) 2nd design	GM105456	4.56 (41-9)
DRK-325B	Standard Kit – (98-On)	GM105456X *	4.56 (41-9)
DRK-325BMK	Master Kit – (98-On)	GM105488	4.88 (39-8)
		GM105488X *	4.88 (39-8)

* Fits 4.10 and down case.

Open Case	Ratio	Limited Slip Differential	Description
GM105-CASEL	4.10 & Lower Ratios	19689-010	Eaton (4.11 & Lower)
GM105-CASE	4.56 & Higher Ratios	19610-010	Eaton (4.56 & Higher)
Internal Kit	Description	40012325	Gov Lock (GM OE) up to 4.10 (73-On)
GM105-IK		40012326	Gov Lock (GM OE) 4.56-up (73-On)

Axle Shaft	Application	Length	Studs	Spline	Side
AS3977384	Suburban, Truck & Van 2WD & 4x4 (73-91)	37 ⁹ / ₁₆ "	8	30	R
AS3977383	Suburban, Truck & Van 2WD & 4x4 (73-98)	31 ¹¹ / ₁₆ "	8	30	L

Call for all other applications or dimensions.

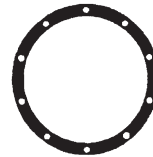
Rear Wheel Bearing/Seal Application	Bearing	Seal
All GMC 10.5" R.G. axles	Inner 387-AS/382-A Outer A38	2081

GMC 11.5" Axle

Rebuild Kit	Description	Ring & Pinion	Ratio
DRK-327	Standard Kit	GM115373	3.73 (41-11)
DRK-327MK	Master Kit	GM115410	4.10 (41-10)
		GM115463	4.63 (37-8)
Open Case	Ratio	Limited Slip Differential	Description
GM115-CASE	3.73, 4.10 & 4.63 Gear Ratios	40002217	Gov Lock (GM OE) All ratios (01-On)
Internal Kit	Description		
GM115-IK			

Axle Shaft	Application	Length	Studs	Spline	Side
AS40003201	Single Wheel Pickup		8	30	R & L
AS40003202	Dual Wheel Pickup-Wide Track		8	30	R & L
AS40003204	Dual Wheel Pickup-Narrow Track		8	30	R & L

Toyota 7.5" Axle (8 Bolt Cover) for Pickup & 4-Runner

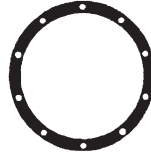


GR-T8V6
10 HOLES

Rebuild Kit	Description	Ring & Pinion	Ratio		
DRK-350	Standard Kit (IFS Front Axle)	T75410	4.10 (41-10)		
DRK-T750MK	Master Kit (IFS Front Axle)	T75456	4.56 (41-9)		
DRK-353	Standard Kit (Rear Axle, 4 Cyl. Non turbo)	T75488	4.88 (39-8)		
DRK-T750RMK	Master Kit (Rear Axle, 4 Cyl. Non turbo)	T75529	5.29 (37-7)		
Open Case	Ratio	Limited Slip Differential	Description		
N/A		N/A			
Internal Kit	Description				
N/A					
Axle Shaft	Application	Length	Studs	Spline	Side
N/A					

Axle Product by Axle Size

Toyota 8" Axle (10 Bolt Cover) for Pickup & 4-Runner



GR-T8V6
10 HOLES

Rebuild Kit	Description
DRK-351	Standard Kit (4 Cyl. Non turbo)
DRK-T800MK	Master Kit (4 Cyl. Non turbo)
DRK-352	Standard Kit (4 Cyl. Turbo & V6)
DRK-T8V6MK	Master Kit (4 Cyl. Turbo & V6)

Ring & Pinion	Ratio
TOY411	4.11 (37-9)
TOY488	4.88 (39-8)
TOY529	5.29 (37-7)
TOY571	5.71 (40-7)

Open Case	Ratio
N/A	

Limited Slip Differential	Description
19614-010	Eaton

Internal Kit	Description
TOY8-IK	

Axle Shaft	Application	Length	Studs	Spline	Side
N/A					



Performance Differentials

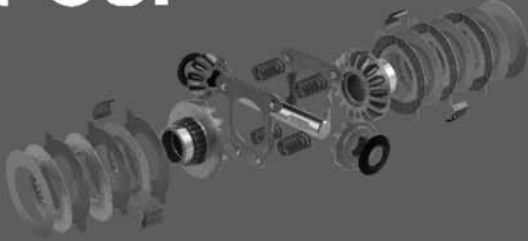
Application Guide

November 2007

Eaton & Detroit Locker



Posi™



The Eaton Posi is the perfect way to control traction in street rods, light duty pickups and everyday drivers.

The Eaton Posi prevents wheel slip before it can get started. To do that, carbon disc clutch packs, preloaded by a central spring assembly, are located behind each differential side gear. When torque input increases the clamping load on the clutch packs increases. That causes the chatter-free clutch packs to grab and transfer power to the other wheel. The Eaton Posi is fully rebuildable with one of our specially formulated clutch kits.

Muscle cars, hot rods and mild off-road vehicles should look to Eaton's limited-slip differential for their traction answers. And the fact is, Eaton's Posi units are virtually bullet proof.

The legendary Detroit Locker began the revolution in performance differentials and still leads the industry today as an Eaton brand. The Detroit Locker is the most durable and dependable locking differential available.

The Detroit Locker maximizes traction by delivering 100% of the torque to both drive wheels. It is engineered to keep both wheels in a constant drive mode, and has the ability to automatically allow wheel speed differentiation when required. Applications are also available for C-Clip style axles.

No other performance differential has the reputation for delivering traction in mud, snow, rocks and on the track. The choice of professional racers and off-road enthusiasts around the world! The durability of the Detroit Locker is unmatched!



ELocker™



The ELocker's electromagnetic locking mechanism is the next generation of aftermarket differential technology. Performs as an open differential until you decide that you need more traction. Eaton ELocker is your push button solution to almost any traction problem.

Designed expressly for 4-wheel drive systems to give you the ability to lock or unlock the differentials when necessary. When locked the Eaton ELocker performs as a full locker, capturing 100% of available torque and sending it equally to both ends of the axle.

The ELocker is built with precision-forged gears that are designed to mesh perfectly, providing improved strength and durability over a standard cut gear. Its ease of installation, reliability and push-button activation make ELocker an absolute must for all traction and off-road performance applications.

Eaton's Detroit Truetrac was the first helical gear differential ever introduced into the automotive aftermarket. It remains the leading helical gear-type limited slip differential in the industry. Detroit Truetrac's proven helical gear design eliminates the need for wearable parts, resulting in maintenance free traction. Recognized not only for its durability but also it's smooth and quiet operation.

Engineered to work efficiently in front and rear axles, semi-floating (C-clip axles) and transfer cases. Power transfer is so smooth, it literally goes unnoticed by the driver - even in front wheel drive axles.

Proven design and effective performance, all make the Detroit Truetrac limited slip differential the ideal choice for a wide variety of vehicle applications. No maintenance - Just Traction!



 <p>Detroit Locker™ <small>no other brand</small></p> <ul style="list-style-type: none"> ● 100% Automatic Locking ● Wheel Speed Sensitive ● Legendary Traction ● Unmatched Durability 	 <p>Detroit Truetrac™ <small>no other brand</small></p> <ul style="list-style-type: none"> ● Helical Gear ● Torque Biasing ● Smooth & Automatic ● Improved Design 	 <p>Posi™</p> <ul style="list-style-type: none"> ● Carbon Friction Technology ● Precision-Forged Gears ● Automatic ● Rebuildable 	 <p>ELocker™</p> <ul style="list-style-type: none"> ● Push Button ● Maintenance Free ● Driver Controlled ● Servicable
---	---	---	---

	Year	Description	Axle Shaft Dia.-Spline	Ring Gear Pinion Ratio	Detroit Locker	Detroit Truetrac	Eaton Posi	Eaton ELocker	
REAR	CHEVROLET/GMC								
	Camaro ● Chevelle ● Corvette ● Grand National ● Nova ● Car								
		1964-72	GM 12 bolt car	8.875"	1.29" 30	3.08-3.90	187C197A	913A555 (pa)	19554-010
		1964-72	GM 12 bolt car	8.875"	1.29 30	4.10 & up			19555-010
		1964-72	GM 12 bolt car	8.875"	1.41" 33	3.08-3.90	187C198A	914A576 (pa)	
		1964-72	GM 12 bolt car	8.875"	1.41" 33	4.10 & up		914A575 (pa)	
			GM 12 bolt car	8.875"	1.50" 35	3.08-3.90	187S196A (ch)		
		1955-64	GM 3rd member	8.2"	17	3.90 & dn			19686-010
		1963-79	GM 10 bolt Corvette (cast iron 3rd member)	8.5"	17	3.08-3.90			19670-010
					17	4.11-4.56			19673-010
		1988-96	GM 10 bolt C-Clip	8.5/8.6"	1.32" 30	2.73 & up	187C148A	913A481	19559-010
		1971-89	GM 10 bolt C-Clip	8.5"	1.20" 28	2.73 & up	187C149A	912A556	19557-010
		1964-71	GM 10 bolt Buick, Olds, Pontiac	8.2"	28	3.36 & up			19674-010
		1964-72	GM 10 bolt Chevrolet	8.2"	28	3.08 & up			19603-010
		1988-05	GM 10 bolt	7.5/7.6"	1.20" 28	3.23 & up	162C59A	912A317	19599-010
		1975-89	GM 10 bolt C-Clip	7.5"	1.16" 26	3.23 & up	162C58A	911A319	19663-010
						3.08 & dn		911A415	
	(ch) custom housing with 3.25" bearing bore.								
(pa) 30 and 33 spline units are made to fit axles cut with 45 degree pressure angle.									
FRONT	10/1500 ● Pickup ● Blazer/Jimmy ● Suburban ● Tahoe ● Yukon ● Van ● Trailblazer (SS)								
		1977-88	GM 10 bolt	8.5"	1.20" 28	2.73-5.13	187C149A	912A557	19557-010
		To 1980	Dana 44	8.5"	1.31" 30	3.73 & dn	187SL16D	913A591	19695-010
						3.92 & up	187SL16C	913A592	19747-010
		1988-05	GM 10 bolt	7.5/7.6"	1.20" 28	3.23 & up	162C59A	912A317	19599-010
		1982-89	GM 10 bolt C-Clip	7.5"	1.16" 26	3.23 & up	162C58A	911A319	19663-010
						3.08 & dn		911A415	
		1989-07	GM 10 bolt C-Clip	8.5/8.6"	1.32" 30	2.73 & up	187C148A	913A481	19559-010
		1972-88	GM 10 bolt C-Clip	8.5"	1.20" 28	2.73 & up	187C149A	912A556	19557-010
		To 1982	GM 12 bolt C-Clip	8.875"	1.30" 30	3.73 & up	187C150A	913A315	19556-010
					2.76-3.42			19587-010	
All GM 8.5"/8.6"Eaton differentials require special bearings. For axles with small bearing bores (race O.D. of 2.89"), usually found on vehicles prior to 1999, bearing LM-102949 and race LM-102911 are required. For axles with large bearing bores (race O.D. of 3.06"), usually found on vehicles from 1999 to present, bearing LM-603049 and race LM-603012 are required.									

Year	Description	Axle Shaft Dia.-Spline	Ring Gear Pinion Ratio	Detroit Locker	Detroit Truetrac	Eaton Posi	Eaton ELocker
CHEVROLET/GMC							
10/1500 • Pickup • Blazer/Jimmy • Suburban • Tahoe • Yukon • Van (continued)							
1982-07	GM 14 Bolt IFS	9.25"	33	All			19622-010
1981-07	GM 14 bolt C-Clip	9.5"	1.37" 33	All	225C135A	914A538	19590-010 19684-010
20/2500 • Pickup • Suburban • Rally/Sport • Van							
1977-91	GM 10 bolt	8.5"	1.20" 28	2.73 & up	187C149A	912A557	19557-010(mh)
1988-91	GM 10 bolt	8.5"	1.31" 30	2.73 & up			19559-010(mh) 19659-010
To 1980	Dana 44	8.5"	1.31" 30	3.73 & dn 3.92 & up	187SL16D 187SL16C	913A591 913A592	19695-010 19747-010
1988-07	GM 10 bolt C-Clip (Van) 8.5/8.6"	1.32"	30	2.73-5.13 +	187C148A	913A481	19559-010 19659-010
1978-89	GM 10 bolt C-Clip (Van) 8.5"	1.20"	28	2.73-5.13 +	187C149A	912A556	
1981-07	GM 14 bolt C-Clip	9.5"	1.37" 33	All	225C135A	914A538	19590-010 19684-010
1972-07	GM 14 bolt	10.5"	1.50" 30	4.10 & dn	225S10 (a)		19689-010
1973-07	GM 14 bolt	10.5"	1.50" 30	4.56 & up	225S10 (a)		19610-010
1975-77	Dana 60HD	9.75"	1.50" 35	4.10 & dn 4.56 & up	225SL29B 225SL29A	915A385 915A386	
To 1974	Dana 60	9.75"	1.31" 30	4.10 & dn 4.56 & up	225SL19B 225SL19A	913A389 913A390	19730-010 19734-010 19722-010 19737-010
	Dana Super 60	9.75"	1.70" 40	4.10 & dn	225SL-193A		
	Dana Super 60	9.75"	1.70" 40	4.56 & up	225SL-193B		
30/3500 R/V • Chassis-Cab • Motor Home • Bus Chassis • Pickup C/K • Van							
1977-87	Dana 60HD	9.75"	1.50" 35	4.10 & dn 4.56 & up	225SL29B 225SL29A	915A387 915A388	19760-010 19761-010
1988-07	GM 14 bolt C-Clip	9.5"	1.37" 33	All	225C135A	914A538	
1973-07	GM 14 bolt	10.5"	1.50" 30	4.10 & dn 4.56 & up	225S10 (a) 225S10 (a)	915A545 (x) 915A547 (x)	
1973-94	Dana 70HD with 4" dia. axle tubes FLAT STYLE CAB 10.5"; 5/8" Pinion Offset 5/8" Pinion Offset		1.50" 35 1.50" 35	4.10 & dn 4.56 & up	225SL58B 225SL58A		
1988-89	Dana 70-3U HD w/3.5" dia. axle tubes AERODYNAMIC CAB: 10.5" 5/8" Pinion Offset 31/32" Pinion Offset		1.50" 35 1.50" 35	3.21, 3.42 3.54-4.56	225SL58A 225SL58E		
1973-91	Dana 60HD (G Series) 9.75"	1.50"	35	4.10 & dn 4.56 & up	225SL29B 225SL29A	915A385 915A386	19760-010 19761-010
1984-86	Dana 70U	10.5"	1.50" 35	4.10 & dn	225SL58D		
1979-80	Dana 70B	10.5"		4.56 & up	225SL58C		
To 1986	GM 11000 lb.	12"	1.75" 27	All	250S-27		
1986-92	GM 11000 lb. (Rockwell)		1.70" 28	All	225S52		
3500 HD							
1991-00	Rockwell C-102		1.70" 28	All	225S52		
1992-07	Dana 80	11.5"	1.60" 37	4.10 & up 3.73 & dn	225SL105A	916A427 916A566	

(mh) manual locking hubs recommended

All GM 8.5"/8.6" Eaton differentials require special bearings. For axles with small bearing bores (race O.D. of 2.89"), usually found on vehicles prior to 1999, bearing LM-102949 and race LM-102911 are required. For axles with large bearing bores (race O.D. of 3.06"), usually found on vehicles from 1999 to present, bearing LM-603049 and race LM-603012 are required.

(a) 225S10 differential replaces the conventional differential internals used in certain 1973 thru present GM axles. If it is to be installed in a GM axle equipped with an optional Eaton differential, it will also be necessary to purchase a new gear support case assembly, GM #6258336 or #6258340, depending upon gear ratio.

Year	Description	Axle Shaft Dia.-Spline	Ring Gear Pinion Ratio	Detroit Locker	Detroit Truetrac	Eaton Posi	Eaton ELocker
CHRYSLER/DODGE/PLYMOUTH							
D-50, 100, 150, 200 & 250, A, B, D, W							
Pickup • Power Wagon • Ramcharger • Sportvan • Van							
FRONT	1989-02	Dana 44, one side C-Clip 8.5"	1.31"	30	3.73 & dn 3.92 & up		913A591 913A592
	To 1984	Dana 44	8.5"	1.31"	30	3.73 & dn 3.92 & up	187SL16D 187SL16C
	1994-99	Dana 60	9.75"	1.31"	30	4.10 & dn 4.56 & up	913A591 913A592
	1971-93	Dana 60HD	9.75"	1.50"	35	4.10 & dn 4.56 & up	225SL29B 225SL29A
	To 1972	Dana 70	10.5"	1.50"	23	All	225S14
	1997-07	Chrysler C-Clip	8.375"	1.21"	29	2.73 & up	187C179A
	1969-96	Chrysler C-Clip	8.375"	1.17"	27	2.73 & up	187C151A
	1974-07	Chrysler C-Clip	9.25"	1.32"	31	2.76-4.56	187C172A
	1969-74	Chrysler	8.75"	1.28"	30	2.76-4.56	187SL14A
	1969-74	Chrysler	8.75"	1.31"	33	2.76-4.56	913A368 913A572 914A583 (pa)
	(pa) 33 spline units are made to fit axles cut with 45 degree pressure angle.						
REAR	1972-02	Dana 60	9.75"	1.31"	30	4.10 & dn 4.56 & up	225SL19B 225SL19A
	To 1971	Dana 60	9.75"	1.24"	16	4.10 & dn 4.56 & up	225S12C 225S12A
	1972-90	Dana 70	10.5"	1.50"	35	4.10-3.54 4.56 & up	225SL58D 225SL58C
	1991-02	Dana 70	10.5"	1.41"	32	4.10 & dn 4.56 & up	225SL107D 225SL107C
		Dana Super 60	9.75"	1.70"	40	4.10 & dn	225SL-193A
		Dana Super 60	9.75"	1.70"	40	4.56 & up	225SL-193B
300, 350, 400, B, C, M, W							
Chassis-Cab • Motor Home • Pickup • Power Wagon • Van							
FRONT	1976-00	Dana 60HD	9.75"	1.50"	35	4.10 & dn 4.56 & up	225SL29B 225SL29A
	1971-76	Dana 70	10.5"	1.50"	35	4.56 & up (7)	225SL58C
	1974	Dana 70	10.5"	1.50"	23	All	225S14
REAR	1975-02	Dana 60, 60HD, 60M 9.75"	1.31"	30	4.10 & dn 4.56 & up	225SL19B 225SL19A	913A389 913A390
	1991-02	Dana 70	10.5"	1.41"	32	4.10 & dn 4.56 & up	225SL107D 225SL107C
	1972-90	Dana 70	10.5"	1.50"	35	4.10 & dn (7) 4.56 & up (7)	225SL58D 225SL58C
	1972-85	Dana 70HD	10.5"	1.50"	35	4.10 & dn (7) 4.56 & up (7)	225SL58B 225SL58A
	1971-74	Dana 70	10.5"	1.50"	35	All	225S18
	To 1974	Dana 70	10.5"	1.50"	23	All	225S14
	1994-02	Dana 80	11.5"	1.52"	35	4.10 & up 3.73 & dn	225SL131A 915A567

Year	Description	Axle Shaft Dia.-Spline	Ring Gear Pinion Ratio	Detroit Locker	Detroit Truetrac	Eaton Posi	Eaton ELocker
FORD							
Ranger • Explorer • Aerostar • Bronco II • Mustang							
1991-95	Dana 35 IFS Snap ring	1.14"	27	3.54 & up	162C56A		
1983-07	Ford C-Clip	7.5"	1.20"	28	All	162C57A	912A316
1987-07	Ford C-Clip	8.8"	1.32"	31	All	187C145A(+)	913A561
1983-07	Ford C-Clip	8.8"	1.20"	28	All	187C147A(+)	912A562
1983-86	Ford C-Clip	8.8"	1.32"	31	All	187C146A	19588-010
19660-010							19685-010
To 1979	Ford	9"	1.20"	28	All	187SL13A	912A587
To 1978	Ford	8"	1.20"	28	All	187S13D	912A580
F/E-100/150 • Pickup • Bronco • Van • Expedition • Crown Victoria							
1983-96	Dana 44 C-Clip	8.5"	1.31"	30	3.73 & dn 3.92 & up		913A591
1997-07	Ford IFS	8.8"	1.20"	28	All		913A592
To 1982	Dana 44	8.5"	1.31"	30	3.73 & dn 3.92 & up	187SL16D 187SL16C	912A563 913A591 913A592
1997-07	Ford	9.75"	1.37"	34	All	225C194A	913A477
1987-07	Ford C-Clip	8.8"	1.32"	31	All	187C145A(+)	913A561
1983-86	Ford C-Clip	8.8"	1.32"	31	All	187C146A(+)	19588-010
1976-87	Ford	9"	1.32"	31	All exc. 2.72	187SL17B	913A586
	Ford	9"	1.50"	35	All exc. 2.72	187S160A	
To 1979	Ford	9"	1.20"	28	All exc. 2.72	187SL13A	912A587
1977-79	Dana 44	8.5"	1.31"	30	3.73 & dn 3.92 & up	187SL16D 187SL16C	913A589 913A590
To 1974	Ford 9" 1.62" bearing hub dia.		1.20"	28	All	187S13A	19747-010
F/E-250 (98' Super Duty) • Pickup • Van • Excursion							
1997-07	Ford IFS Snap ring	8.8"	1.20"	28	All	187C147A(+)	912A563
1983-97	Dana 44 C-Clip IFS	8.5"	1.31"	30	3.73 & dn 3.92 & up		913A591
To 1982	Dana 44	8.5"	1.31"	30	3.73 & dn 3.92 & up	187SL16D 187SL16C	913A591 913A592
1980-05	Dana50	9"	1.31"	30	3.54 & dn		913A592
1979	Dana 60 (f)	9.75"	1.50"	35	4.10 & dn 4.56 & up	225SL29B 225SL29A	915A387 915A388
1983-84	Ford C-Clip	8.8"	1.32"	31	All	187C145A(+)	19588-010
1985-07	Ford	10.25"/10.5"	1.50"	35	All	225SL56A	915A550
1983-85	Dana 70U	10.5"	1.50"	35	4.10 & dn (7) 4.56 & up (7)	225SL58D 225SL58C	19694-010
1974-87	Dana 61-1	9.75"	1.31"	30		See Note (6)	
1975-84	Dana 60-3	9.75"	1.31"	30	4.10 & dn 4.56 & up	225SL19B 225SL19A	913A389 913A390
To 1974	Dana 60	9.75"	1.31"	16	4.10 & dn 4.56 & up	225S12C 225S12A	19722-010 19737-010
	Dana Super 60	9.75"	1.70"	40	4.10 & dn	225SL193A	
	Dana Super 60	9.75"	1.70"	40	4.56 & up	225SL193B	
F/E 350, 450, 550 • (98' & up Super Duty) • Pickup • Van • Wagon • Chassis-Cab							
1979-07	Dana 60	9.75"	1.50"	35	4.10 & dn	225SL29B	915A387
1978-79	Dana 60	9.75"			4.56 & up	225SL29A	915A388
1981-87	Dana 61-1	9.75"	1.31"	30		See Note (6)	
1983-97	Dana 70-U-1,-2	10.5"	1.50"	35	4.10 & dn (7) 4.56 & up (7)	225SL58D 225SL58C	19760-010 19761-010
1975-85	Dana 70HD	10.5"	1.50"	35	4.10 & dn (7) 4.56 & up (7)	225SL58B 225SL58A	
1978-79	Dana 60 (f) Snowplow package only	9.75"	1.31"	30	4.10 & dn 4.56 & up	225SL19B 225SL19A	913A389 913A390
To 1974	Dana 60	9.75"	1.31"	16	4.10 & dn 4.56 & up	225S12C 225S12A	19730-010 19734-010
To 1972	Dana 70	10.5"	1.50"	23	All	225S14	19722-010 19737-010

	Year	Description	Axle Shaft Dia.-Spline	Ring Gear Pinion Ratio	Detroit Locker	Detroit Truetrac	Eaton Posi	Eaton ELocker	
REAR	F/E 350, 450, 550 • (98' & up Super Duty) • Pickup • Van • Wagon • Chassis-Cab (continued)								
	1990-98	Dana 80	11.5"	1.60" 37	3.73 & dn		916A566		
	1990-98	Dana 80	11.5"	1.60" 37	4.10 & up	225SL105A	916A427		
	1998-07	Dana 80	11.5"	1.50" 35	3.73 & dn		915A567		
	1998-07	Dana 80	11.5"	1.50" 35	4.10 & up	225SL131A			
	1998-07	Dana S135		1.84" 36	4.63-5.38	250SL166			
		Dana Super 60	9.75"	1.70" 40	4.10 & dn	225SL193A			
					4.56 & up	225SL193B			
HUMMER									
FRONT	Front	AMC 20 IFS	8.875"	1.27" 29	3.08 & up	187SL47A			
	Front	AMC 20 IFS	8.875"	1.27" 29	2.73 & dn	187SL163A	912A549		
REAR	To 1998	AMC 20 IRS	8.875"	1.27" 29	3.08 & up	187SL47A	912A579		
	To 1998	AMC 20 IRS	8.875"	1.27" 29	2.73 & dn	187SL163A	912A573		
HYUNDAI									
REAR	Santa Fe								
	AWD rear axle 10 bolt			27	3.81			19567-010	
ISUZU									
REAR	Rodeo								
	1993-00	Dana 44	8.5"9"	1.31" 30	3.73 & dn	187SL16D	913A589		
					3.92 & up	187SL16C	913A590		
	(US only)								
	1989-93	GM 10 bolt	7.5"	1.20" 28	3.23 & up	162C59A	912A317(x)		
JEEP									
Wrangler • Cherokee • Grand Cherokee • Wagoneer • CJ & DJ • Post Office Truck • Liberty									
FRONT	1971-06	Dana 30 (g)		1.16" 27	3.54 & dn	162SL60A	912A584		
					3.73 & up	162SL60B	912A585	19818-010(x)	
FRONT	1970-03	Dana M-44-IF, IFHD (g)		1.31" 30	3.73 & dn	187SL16D	913A591	19695-010	
					3.92 & up	187SL16C	913A592	19747-010	
REAR	1997-06	Chrysler C-Clip	8.375"	1.21" 29	All	187C179A	913A553		
	1991-96	Chrysler C-Clip	8.375"	1.17" 27	All	187C151A			
	1993-06	Dana 35 C-Clip	7.56"	1.18" 27	3.54 & up	162C56A	912A569		
	1984-93	Dana 35 C-Clip	7.56"	1.18" 27	3.54 & up	162C56A	912A569	19822-010(x)	
	1985-89	Dana 35 non C-Clip	7.56"	1.18" 27	3.54 & up	162C56A	912A569		
		Dana Super 35	7.56"	30		162C-66A			
	1997-06	Wrangler Dana 44	8.5"	1.31" 30	3.73 & dn	187SL16D	913A589	19695-010	
	1969-79	Various Dana 44	8.5"		3.92 & up	187SL16C	913A590	19747-010	
	1966-68	Dana 44	8.5"	1.25" 19	3.73 & dn	187SL12B			
					3.92 & up	187SL12A			
		Dana Super 44	8.5"	1.36" 33		187SL192A			
	1974-88	Dana M60-3R	9.75"	1.31" 30	4.10 & dn	225SL19B			
					4.56 & up	225SL19A			
	6/76-86	AMC 20	8.875"	1.27" 29	3.08 & up	187SL47A	912A579		
					2.73 & dn	187SL163A	912A573		
KIA									
REAR	Sportage • Sorento								
	1993-97	Sportage 10 bolt		26	All		19519-01S		
	1998-07	Sportage 10 bolt		28	4.44		19536-02D		
	2003-07	Sorento 10 bolt		34	All		19651-02D		

Year	Description	Axle Shaft Dia.-Spline	Ring Gear Pinion Ratio	Detroit Locker	Detroit Truetrac	Eaton Posi	Eaton ELocker
LAND ROVER							
Rover Type & Salisbury							
1993-00	Rover Type (k)	1.24" 24	3.54	187SL173A	912A407		
1985-93	Rover Type (m)	1.11" 10	3.54	187SL174A	910A416		
To 1985	Rover Type	1.11" 10	4.7		910A461		
	Salisbury 8HA	1.24" 24	3.54	225SL36			
1993-00	Rover Type (n)	1.24" 24	3.54	187SL173A	912A383		
1985-93	Rover Type (p)	1.11" 10	3.54	187SL174A	910A400		
To 1985	Rover Type	1.11" 10	4.7		910A460		
	Salisbury 8HA	1.24" 24	3.54	225SL36			
	Salisbury 101 Rear	1.44" 22	5.37	225SL183			
	Salisbury Defender	24	4.10 & dn		912A593		
(k) Axle serial numbers 49L11363C or 57L05188B and later							
(m) Axle serial numbers and later: Range Rover - suffix H, 88/109 4 cyl. ¾ ton - suffix H, 109 V8/1ton - suffix D							
(n) Axle serial numbers 35S18135C or 37SD8651B and later							
(p) Axle serial numbers and later: Range Rover - suffix F, 88 -suffix G, 109 V8/1ton - (Salisbury standard), 109 4 cyl. ¾ ton - (Salisbury optional)							
MITSUBISHI							
Montero Sport							
	12 bolt, 3.5 L		12	4.625		19629-01S	
NISSAN							
Titan • Pickup • Xterra							
1993-05	Titan Dana 44	1.38" 32	All		913A582		
	H233	1.25" 31	All	187SL167A			
2005-07	Dana 44 Xterra w/manual trans.	1.38" 32	All		913A582		
SAAB							
9-7x							
2005 1/2-07	8.6"	1.32" 30	2.73 & up	187C148A	913A481	19559-010	19659-010
TOYOTA							
4 Cylinder - Pickup • 4 Runner							
1974-85	8" 2 pinion (v)	1.30" 30	All	187SL61A	913A609		
1986-88	7.5" IFS (t)(v)	1.30" 27	All		911A445		
1989-95	7.5" IFS (t)(w)	1.30" 27	All		911A342		
1980-95	7.5"	1.30" 27	All		911A565(w)		
1986-96	8" 2 pinion (v) non turbo	1.30" 30	All	187SL61A	913A611		
1986-96	8" 4 pinion 4x4 turbo/gas/diesel	1.30" 30	All	187SL61B	913A610*		
1995-05	8.4" Tacoma, Tundra, T-100	1.29" 30	3.54-5.29	187SL199A	913A541	19614-010	
	Toyota Legend Race Series	1.08" 27	All		911A565		
6 Cylinder - Pickup • 4 Runner							
1986-95	7.5" IFS (t) (w)	1.30" 27	All		911A342		
1986-04	7.5" IFS (v) 4 Runner only	1.10" 27	All		911A445		
1986-95	8" 4 pinion (w) 4x4 turbo/gas/diesel, 4x2 cab chassis	1.30" 30	All	187SL61B	913A610*		
1995-05	8.4" Tacoma, Tundra, T-100	1.29" 30	3.54-5.29	187SL199A	913A541	19614-010	
	Toyota Legend Race Series	1.08" 27	All		911A565		
Land Cruiser II							
1990-07	8" 4 pinion (w)	1.30" 30	All	187SL61B	913A612		
1967-89	9.5" 2 pinion C-Clip	1.30" 30	All	187C152A			
1967-97	9.5" C-Clip	1.30" 30	All	187C152A			
	Australian 8 7/8"	1.31" 30	All	225SL124A			

* 32010X bearing allows 913A610 in place of 913A611

(t) Will not fit selector disconnect "shift on the fly"

(v) "Small" hub bearing dia. 45 mm

(w) "Large" hub bearing dia. 50 mm - uses bearing #90368-50006

FRONT & REAR REAR

Eaton & Detroit Locker

Year	Description	Axle Shaft Dia.-Spline	Ring Gear Pinion Ratio	Detroit Locker	Detroit Truetrac	Eaton Posi	Eaton ELocker
------	-------------	---------------------------	---------------------------	-------------------	---------------------	---------------	------------------

PERFORMANCE

	Dana 30	7.2"	1.15" 27	3.73 & up		912A588	
	Dana Super 35	7.56"	1.15" 30	3.54 & up	162C66A		
	Dana Super 44	8.5"/9"	1.36" 33	3.92 & up	187SL192A		
	Dana Super 60	9.75"	1.70" 40	4.10 & dn	225SL193A		
	Dana Super 60	9.75"	1.70" 40	4.56 & up	225SL193B		
	Chrysler	8.75"	1.20" 30	2.76-5.57	187SL14A	913A572	
	Chrysler	8.75"	1.31" 33	2.76-4.56		914A583 (pa)	
(pa) 33 spline units are made to fit axles cut with 45 degree pressure angle.							
	Ford	9"	1.50" 35	All exc. 2.72	187S160A		
1964-72	GM 12 Bolt car	8.875"	1.41" 33	3.08-3.90	187C198A	914A576 (pa)	
1964-72	GM 12 Bolt car	8.875"	1.41" 33	4.10 & up		914A575 (pa)	
1964-72	GM 12 Bolt car	8.875"	1.50" 35	4.10 & up	187S196A(ch)		
	GM 12 Bolt car	8.875"	1.32" 30	4.10 & up			19510-010
	GM 12 Bolt truck	8.875"	1.32" 30	3.73 & up			19512-010
(ch) custom housing with 3.25" bearing bore.							
	Dana 60 rear	9.75"	1.50 35	4.10 & dn 4.56 & up		915A385 915A386	19760-010 19761-010
	Toyota Legend/Celica	7.5"	1.08" 27	All		911A565(w)	

(w) "Large" hub bearing dia. 50 mm - uses bearing #90368-50006
 (pa) 33 spline units are made to fit axles cut with 45 degree pressure angle.

Circle Track Racing Applications

Ford 9" CTR only	1.32" 31	All exc. 2.72	R18703A
Ford 9"	1.32" 31	All	R18706A (was 187N158A)
Ford 9" 2.00 Large Bearing	1.32" 31	All	R18707A (was 187N178A)
Quick Change (Franklin, Halibrand, Richmond, Winters, etc.)			
CTR only	1.32" 31	All	R18705A (aluminum housing)
Performance Detroit Locker	1.32" 31	All	R18708A (was 187N30A)

The Detroit Locker CTR (Circle Track Racing) version of the Detroit Locker is made exclusively for left hand turn racing only.

ATV Applications

Call for Detroit Gearless Locker differential applications for most popular ATV models.



Part Number	Description	Standard Package	GM 7.5"	GM 7.625"	GM 8.2"	GM 8.2"	GM 8.2"	GM 8.2"	GM 8.5"
			19663-010	19599-010	19686-010	19670-010	19673-010	19674-010	19603-010

Posi Limited Slip Service Kits

29402-00S	Disc & Shim Kit	Steel discs, guides, shims, 24 steel discs			X	X	X	X	X	X
29403-00S	Disc & Shim Kit	Steel discs, guides, shims, 18 steel discs			X	X	X	X	X	X
29406-00S	Disc & Shim Kit	Carbon discs, guides, shims								
29408-00S	Disc & Shim Kit	Carbon discs, guides, shims								
29413-00S	Disc & Shim Kit	Carbon discs, guides, shims			X	X	X			
29417-00S	Disc & Shim Kit	Carbon discs, guides, shims	X	X						
29418-00S	Disc & Shim Kit	Carbon discs, guides, shims								
29422-00S	Disc & Shim Kit	Carbon discs, guides, shims								
29426-00S	Disc & Shim Kit	Carbon discs, guides, shims						X	X	X
29366-00S	Gear Service Kit	Side gear, pinion gears, washers, shaft screw								
29404-00S	Gear Service Kit	Side gear, pinion gears, washers, shaft screw			X					
29405-00S	Gear Service Kit	Side gear, pinion gears, washers, shaft screw	X							
29407-00S	Gear Service Kit	Side gear, pinion gears, washers, shaft screw								
29409-00S	Gear Service Kit	Side gear, pinion gears, washers, shaft screw								X
29410-00S	Gear Service Kit	Side gear, pinion gears, washers, shaft screw								
29411-00S	Gear Service Kit	Side gear, pinion gears, washers, shaft screw								
29412-00S	Gear Service Kit	Side gear, pinion gears, washers, shaft screw								
29414-00S	Gear Service Kit	Side gear, pinion gears, washers, shaft screw		X						
29415-00S	Gear Service Kit	Side gear, pinion gears, washers, shaft screw								
29416-00S	Gear Service Kit	Side gear, pinion gears, washers, shaft screw								
29419-00S	Gear Service Kit	Side gear, pinion gears, washers, shaft screw							X	
29420-00S	Gear Service Kit	Side gear, pinion gears, washers, shaft screw								
29421-00S	Gear Service Kit	Side gear, pinion gears, washers, shaft screw								
29423-00S	Gear Service Kit	Side gear, pinion gears, washers, shaft screw								
29424-00S	Gear Service Kit	Side gear, pinion gears, washers, shaft screw						X		
29425-00S	Gear Service Kit	Side gear, pinion gears, washers, shaft screw				X	X			
99434-00S	Lock Screw Kit	10 Lock screws								
99942-01S	Lock Screw Kit	10 Lock screws								
29587-01S	Lock Screw Kit	10 Lock screws and locker washers								
29789-01S	Lock Screw Kit	10 Lock screws and locker washers								
29239-00S	Preload Kit (400#)	Springs, plates								
29255-00S	Preload Kit (400#)	Springs, plates								
29589-00S	Preload Kit (200#)	Springs, plates			X	X	X	X	X	X
29590-00S	Preload Kit (400#)	Springs, plates			X	X	X	X	X	X
29591-00S	Preload Kit (800#)	Springs, plates			X	X	X	X	X	X
29713-00S	Preload Kit (400#)	Springs, plates	X	X						
29716-00S	Preload Kit (400#)	Springs, plates								
29793-00S	Preload Kit (300#)	Springs, plates								

Posi Limited Slip Service Kits

X	X	X	X	X				X	X					
X	X	X	X	X				X	X					
											X			
						X	X							
					X					X			X	X
											X			
X	X	X	X	X				X	X					
													X	X
											X			
						X	X							
X														
	X	X	X	X										
									X					
					X									
								X					X	
										X				
													X	X
												X		
										X				
													X	X
X	X	X	X	X		X	X							
X	X	X	X	X				X	X					
X	X	X	X	X				X	X					
					X					X			X	X
												X		

Part Number	Description	Standard Package	GM 8.5"/8.6"	GM 9.25"	GM 9.5"	Ford 8.8"	Ford 8.8"
			19659-010	19622-010	19684-010	19660-010	19685-010
Elocker Service Kits							
29235-00S	Universal Wiring Kit	Dash switch , fuse & holder, relay, suppression device wiring harness& connectors, conduit	X	X	X	X	X
29296-00S	Gear Service Kit	Side gear, pinion gears, shims, pinion thrust washers ramp pins, ramp pin retainer, pinion shaft, shaft lock screw	X				
29308-00S	Gear Service Kit	Side gear, pinion gears, shims, pinion thrust washers ramp pins, ramp pin retainer, pinion shaft, shaft lock screw				X	
29309-00S	Gear Service Kit	Side gear, pinion gears, shims, pinion thrust washers ramp pins, ramp pin retainer, pinion shaft, shaft lock screw					X
29394-00S	Gear Service Kit	Side gear, pinion gears, shims, pinion thrust washers ramp pins, ramp pin retainer, pinion shaft, shaft lock screw		X	X		
29305-00S	Locking Mechanism Kit	Ball ramp set, ball bearings, preload springs, thrust bearing, bearing race, retaining ring	X			X	X
29396-00S	Locking Mechanism Kit	Ball ramp set, ball bearings, preload springs, thrust bearing, Bearing race, retaining ring	X			X	X
29393-00S	Stator/Armature Kit	Stator assembly, armature, retaining bracket				X	X
29395-00S	Stator/Armature Kit	Stator assembly, armature, retaining bracket			X		
29397-00S	Stator/Armature Kit	Stator assembly, armature, retaining bracket		X			

NOTES

- (x) Call for availability.
- (+) + 4.56, 4.88 and 5.13 require some modification for install.
- (1) "dia. r.g." is the pitch diameter of the ring gear. "10 bolt" means number of bolts in the differential housing cover.
- (2) The axle shaft diameter is the "major diameter" measured over the splines at the outer end of the shaft.
- (3) "& up" after the ring gear/pinion ratio means that all numerically higher ratios, in addition to the one designated, are also accommodated. "& dn" after the ratio means that all numerically lower ratios are accommodated.
- (4) A "letter" after the model indicates a two-piece differential support case is supplied by Eaton with the differential. All other models (no letter) fit the two-piece differential case supplied by the axle/vehicle manufacturer. Bolts, bearings, shims & gaskets are not supplied. The "Detroit SofLocker" differential indicated by an "SL" in the model number (187SL16D), provides smooth and reduced noise operation in the drive-coast mode. A dampening device has been inserted into the inboard end of each side gear. The "Detroit C-Locker" differential indicated by a "C" in the model number (187C149A), accommodates axles with C-Clip axle shaft retainers inside the differential. The "Detroit E-Z Locker" differential kit offers an economical, easily installed alternative "for the occasional off-roader."

(5) Detroit Locker differentials should not be used in front-drive axles or light on-highway vehicles unless used with unlocking hubs that are fully unlocked on-highway.

- (6) Dana 61-1 FULL FLOAT 1.31" dia. r.g./30 axle spline:
3.31 & down ratios, use Detroit SofLocker 225SL19B

3.54, 3.73, 4.10 ratios, THIN RING GEAR with standard differential;

Number on ring gear is:	32503 - 3.54 ratio	
	34508 - 3.73 ratio	Use Detroit SofLocker 225SL19C
	30360 - 4.10 ratio	

3.54, 3.73, 4.10 & 4.56 ratios, THICK RING GEAR with limited slip differential;

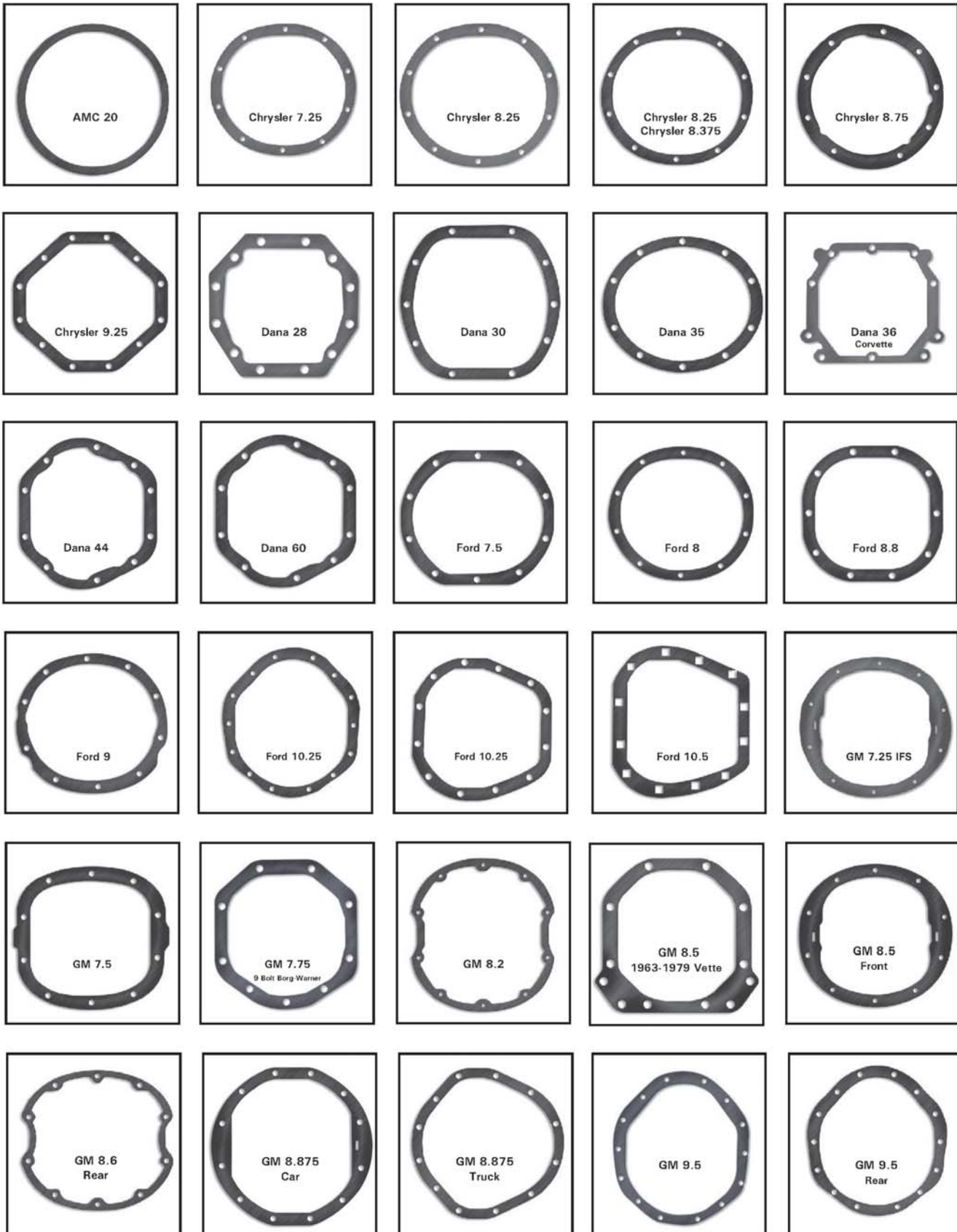
Number on ring gear is:	39211 - 3.54 ratio	
	37875 - 3.73 ratio	Use Detroit SofLocker 225SL19A
	39300 - 4.10 ratio	
	39299 - 4.56 ratio	Use Detroit SofLocker 225SL19C

(7) Dana 70/70 HD, 35 splines: Use Detroit Locker 225S-18 if two piece case; use 225SL58 A, B, C, D if a one piece case.

For Drag Racing applications:

When using a Locker with trans brake - take the lash out of the Locker before pre-staging.

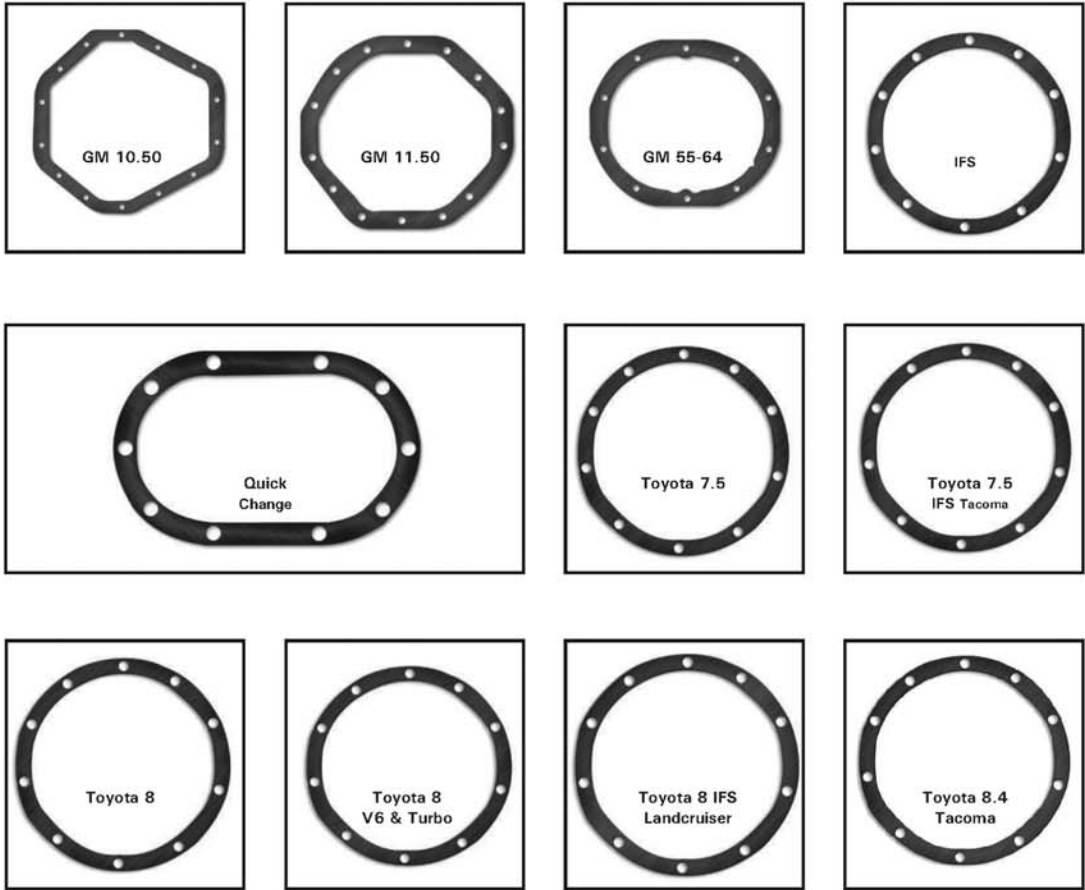
Differential Cover Identifier





Differential Cover Identifier

Eaton & Detroit Locker



Professional racer or weekend warrior? Limited slip or locker?
Clutch style or gear drive? Electronic or automatic?

only Eaton covers them all



Find an Eaton distributor at
EatonPerformance.com

Eaton Performance
26101 Northwestern Highway
Southfield, MI 48076 USA
800-328-3850
EatonPerformance.com



While this model list is believed to be accurate, we cannot guarantee accuracy (errors or omissions) of the data. Customer is responsible to identify the correct part number for their particular application.

PERFORMANCE-MINDED
PEOPLE DEMAND...

Auburn Gear



**ECTED[®]
Lockers**



D-REX

Spools



Limited Slip



...PERFORMANCE DIFFERENTIALS

Hook Up! with **Auburn Gear**

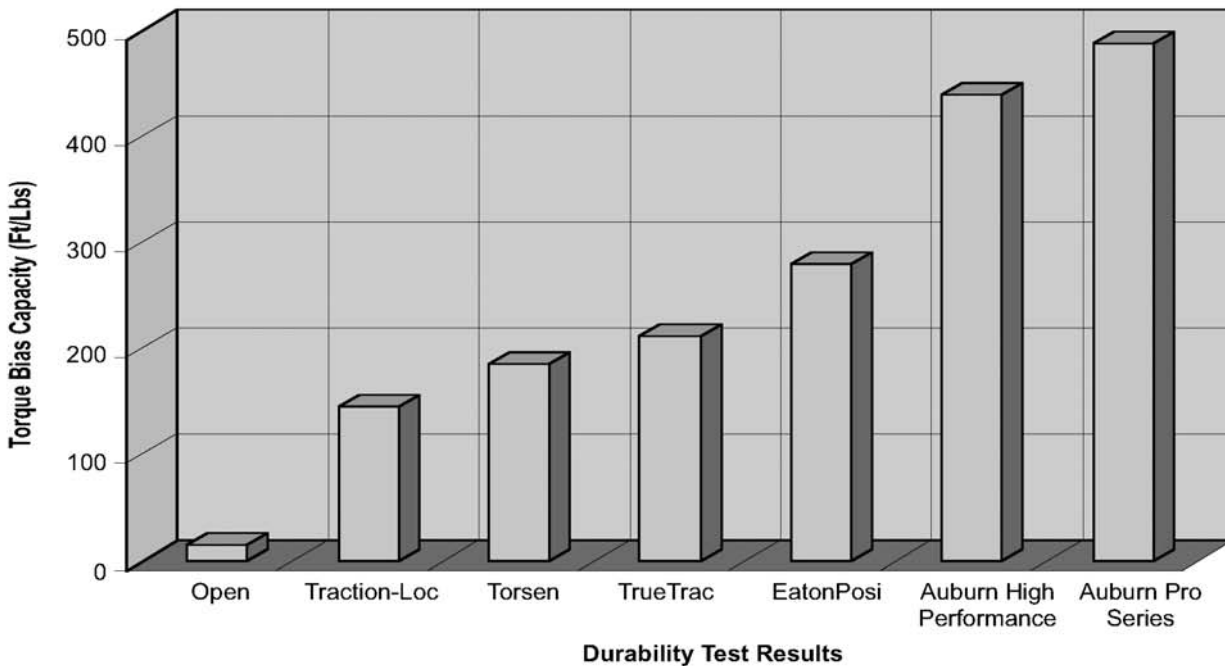
PERFORMANCE DIFFERENTIALS

Why purchase an Auburn Gear High Performance or Pro Series Limited Slip Differential ???

Simply...performance — our units offer you more torque bias performance than any other limited slip differential available in the industry. Torque bias, measured in lbs-ft, is the ability of the limited slip differential to divide the input torque unequally, allowing more torque to be delivered to the wheel with the most traction. Bias torque translates to more driving force, hence more horsepower to the ground. Torque bias is the measuring stick by which all limited slip differentials are compared. It is the apples-to-apples performance comparison!!

Let's look at some hard test data:

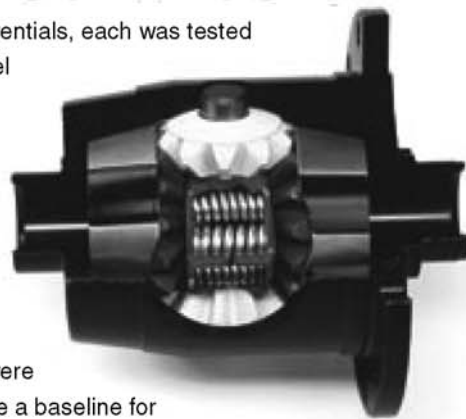
We ran competitive testing on an EatonPosi, TrueTrac by Tractech—the folks who make Detroit Locker—Torsen, and Traction-Loc by Ford. As you can see, the Auburn Pro is the clear-cut performance leader in the industry with the Auburn High Performance Series taking the close second. Everyone else falls way behind just like they will on the street, quarter-mile or off-road.



How does Auburn provide you with more performance? It is a combination, better yet an optimization, of our unique and robust cone clutch and the preload spring arrangement we provide. Limited slip differentials cannot be compared by simply looking at the amount of preload. Preload refers to the load on the clutch, not the torque required to slip the clutch. Therefore, a differential with 800 lbs. of preload may perform better than a differential with 1500 lbs. of preload, just due to the design of the clutches. Our cone clutch arrangement makes us the best—the numbers don't lie. If you want to be the best, demand the best—an Auburn Pro or High Performance Series limited slip differential.

To quantify the differences between the vast selection of limited-slip type differentials, each was tested on our axle dynamometer. The dynamometer was set up to simulate one wheel on ice and the other on dry pavement. The wheel on ice was forced to spin at 100 RPM for over 6.5 hours while the other wheel was held stationary, simulating years of normal use. At specified intervals, torque bias curves were generated by slowly increasing the torque on the spinning wheel (the low traction wheel), which causes the differential to transfer torque to the stationary wheel (the high traction wheel).

Each test was performed using a Ford 8.8 axle housing fitted to our axle dynamometer. The test parameters, differential lubricant and test equipment were the same for each differential tested. The "open" differential is shown to provide a baseline for comparing the various differentials tested.



Best Guarantees in the Industry - we back up our performance advantages by offering the best warranty in the business: a one-year warranty, plus an additional four years of **D-REX** coverage. D-REX stands for **Differential Replacement EXchange**. We will replace your unit, no matter the reason, within the first 4 years after purchase for the price of a competitor's clutch pack. Every part you get will be brand new—the unit comes assembled, tested, certified, ready for installation. No more rebuilding and mixing old worn parts with new parts!

Quality, controlled Right Here in the USA - One of the best reasons for buying an Auburn Gear Performance Differential is Quality Control. Every unit is hand inspected and assembled right here in the good ol' US of A by our own highly-motivated inspector / assemblers. We don't rely on our suppliers' word (even though it's usually pretty accurate!); we insist on inspecting each and every casting, forging and component before they are assembled into a super-reliable **Auburn Gear Performance Differential**.

What's best for me - High Performance or Pro Series? You can't lose with either one, but for that extra performance edge, the Pro Series provides the higher bias performance design to put you over the top and into the winner's circle.

What kind of oil and additive should be used with an Auburn Performance Differential? It is important when installing an Auburn High Performance, Pro Series or **ECTED® LOCKER** that a high quality non-synthetic 80W90 GL-5 gear oil be used. Treat the oil with Auburn Gear, GM or Ford friction additive. Three ounces of additive treats one quart of oil.

Friction additive part numbers:

Auburn Gear: 504102

GM: 1052358

Ford: C8A219B546A

Every effort has been made to ensure accuracy of the contents of this catalog. However, we assume no responsibility for errors or omissions.



Auburn-Locker

ECTED®

What is ECTED®?

ECTED stands for Electronically Controlled Traction Enhancing Differential (pronounced "ek-ted").

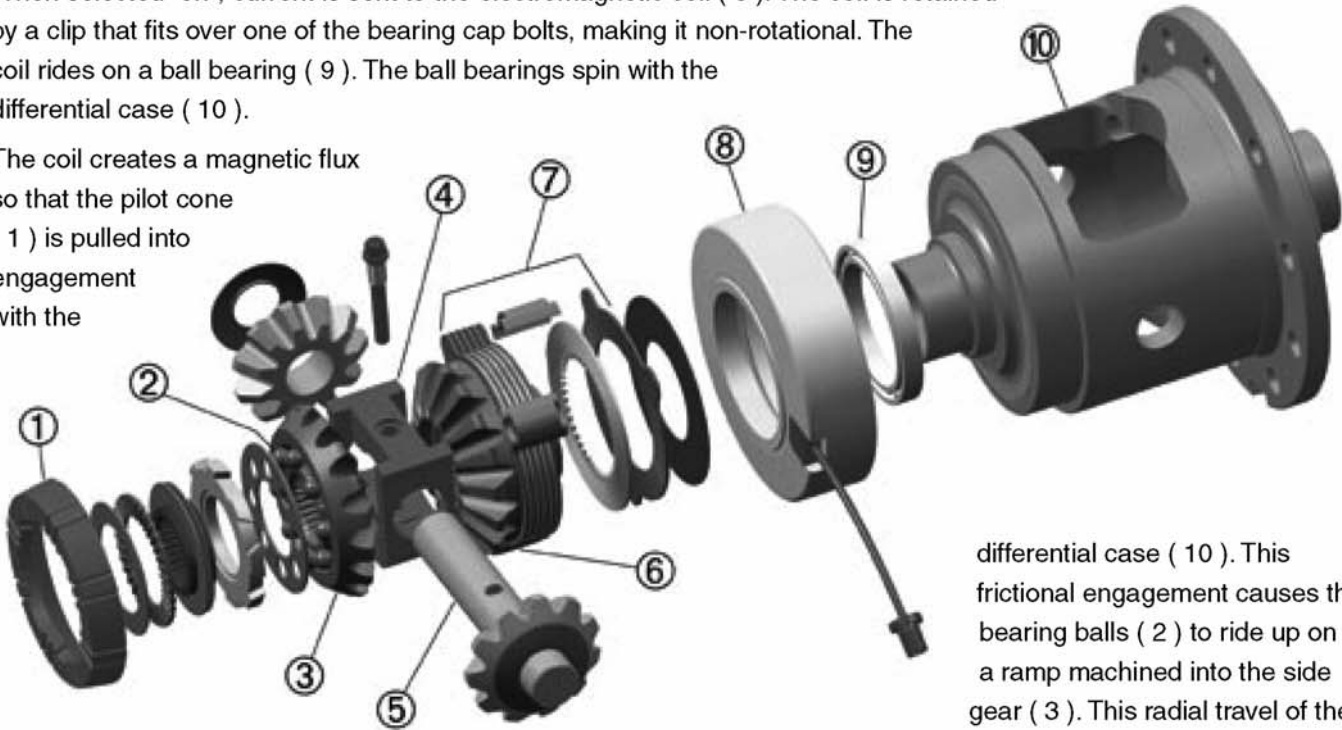
It is a revolutionary product with respect to traction technology. ECTED provides the user with a selectable limited slip or locker mode. When selected "off" – the ECTED functions as a performance limited slip differential for on and off-road excitement. When selected "on" the ECTED becomes a locker or spool which is ideal for the quarter-mile or the nastiest off road terrain.

How does ECTED work?

The ECTED is a selectable traction device; an on/off switch is mounted near the driver. When "off" – the clutch pack (7), which is located behind the side gear (6) provides the limited slip mode. As torque increases, the separating forces within the differential gears increase, causing the clutch pack to be compressed and thereby providing bias torque to the high traction wheel – your performance limited slip differential action.

When selected "on", current is sent to the electromagnetic coil (8). The coil is retained by a clip that fits over one of the bearing cap bolts, making it non-rotational. The coil rides on a ball bearing (9). The ball bearings spin with the differential case (10).

The coil creates a magnetic flux so that the pilot cone (1) is pulled into engagement with the



differential case (10). This frictional engagement causes the bearing balls (2) to ride up on a ramp machined into the side gear (3). This radial travel of the

balls (2) also causes lateral movement of the side gear (3). The lateral movement of the side gear (3) applies a force onto the center block (4). The center block (4) has an elongated hole that the center pin (5) fits through, allowing it to float. The center block (4) applies force to the opposite side gear (6), compressing the clutch pack (7) giving the user a solid axle assembly – the spool/locker performance you desire at the strip or off-road.

ECTED® Advantages

- **ECTED** gearing is made from aircraft quality, 9310 heat-treated billet steel to make it as tough as nails!
- **ECTED** can be switched on or off “on the fly,” at any road speed.
- **ECTED** does not have any shift forks or pins that must be lined up to obtain locker/spool mode.
- **ECTED** is quiet — say good-bye to noisy lockers!
- **ECTED** is backed by an industry-leading one-year warranty, just like all Auburn Gear Performance Differentials.
- **ECTED** is backed by the industry-exclusive **D-REX** program. D-REX = **D**ifferential – **R**eplacement **EX**change Program.
- **ECTED** can be used in front axle applications – with or without lockout hubs.

***IMPORTANT Note:** The **ECTED** is not recommended for use in front axles that feature an “Inter-Axle Disconnect”.

- In the product configurations offered, **ECTED** is the only selectable locker that offers both limited slip and locker modes. Forget the rest — go with the best!

	open Diff	Limited Slip Diff	Locker/Spool
Auburn Gear ECTED		X	X
ARB Air Locker	X		X
Eaton Elocker	X		X

ECTED Service kits: See complete details for service kits on page 19.



ECTED has been designed with the street/strip user and avid off-roader in mind!

Like the green lights at the bottom of a Christmas tree or a green traffic signal, our **ECTED** green light means it's time to *Hook Up* and go fast!

OR if you prefer.....

Green mountains, green forests or green pastures—**NO MATTER**—our **ECTED**

green light means you're ready for some serious off-roading, because green illumination means **ECTED** is locked in (spool/locker mode)! See pages 4 and 5 for more details.



Important NOTE:

Bearings not included unless specifically stated.

Applications listed (make & year)

are for reference only - always verify axle/ring gear size, ratio to be used and number of axle splines prior to purchase and installation.

Every effort has been made to ensure accuracy of the contents of this catalog. However, we assume no responsibility for errors or omissions.

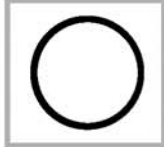
TIRE CHART

LISTED ARE THE MAXIMUM TIRES SIZES FOR THE AUBURN GEAR TRACTION DIFFERENTIAL APPLICATIONS

TIRE SIZE CHART	MAXIMUM TIRE SIZE										
Application	30"	31"	32"	33"	34"	35"	36"	37"	38"	39"	40"
AMC 20 12 bolt											
Chrysler 8 1/4 & 8 3/8 10 bolt											
Chrysler 8 3/4 10 bolt											
Chrysler 9 1/4 12 bolt											
Dana 30											
Dana 35											
Dana 44											
Dana 50 front axle											
Dana 60											
Ford 7 1/2 10 bolt											
Ford 8" 10 bolt											
Ford 8.8 10 bolt											
Ford 9" 10 bolt											
Ford 9 3/4 12 bolt											
Ford 10 1/4 & 10 1/2 12 bolt											
GM 7 1/2 & 7 5/8 10 bolt											
Chevy 8.2 10 bolt											
B.O.P. 8.2 10 bolt											
GM 8.2 / 8.4 1955-64 10 bolt											
Corvette 1963-79 10 bolt											
GM 8.5 & 8.6 10 bolt											
GM 8 7/8 12 bolt Car											
GM 8 7/8 12 bolt Truck											
GM 9 1/2 14 bolt											
Toyota 8 7/8 12 bolt											

Auburn Gear

AMC 20, 12 Bolt



AMC 20
10 1/32" x 10 25/64"
12 Holes, Round

AuburnGear Part Number

542081, Pro Series

Applications: All AMC 20 Axles

Ratios: 3.07:1 & Up

Side Gear Spline: 29 Teeth **Model Years:** 1966-1986

Bearing Cone: LM603049 **Bearing Cup:** LM603012

Special Note: Some AMC 20 applications require the use of an axle spacer, which is included with the unit.



ECTED

AuburnGear Part Number

545006 - Fits H1 Hummer

Applications: All AMC 20 axles

Ratios: 2.73:1 & Down

Side Gear Spline: 29 Teeth

Model Years: 1966-Present

Bearing Cone: LM60304

Bearing Cup: LM603012



ECTED

AuburnGear Part Number

545007

Applications: All AMC 20 axles **Ratios:** 3.07:1 & Up

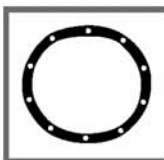
Side Gear Spline: 29 Teeth **Model Years:** 1966-1986

Bearing Cone: LM603049 **Bearing Cup:** LM603012

Make	Year
Ambassador	68-74
AMX	68-79
Concord	78-79
Gremlin	70-78
Hornet	72-78
Javelin	68-74
Jeep C101	67-72
Jeep CJ5&CJ7	67-86
Jeep Wagoneer	67-86
Jeep J-10	66-86
Matador	72-78
Pacer V8	78-79
Rambler	69-72
Scrambler	76-78
Spirit V8	79

***IMPORTANT Note:** Be certain that the axle shaft extends beyond the side gear face. Some aftermarket one-piece axle shafts are shorter than the stock shaft. Using an axle shaft that is too short will promote failure to the axle shaft spline.

Chrysler 8 1/4" & 8 3/8", 10 Bolt



Chrysler 8.25" & 8.375"
11 3/8"
10 Holes, Oval

AuburnGear Part Number

542072, High Performance Series

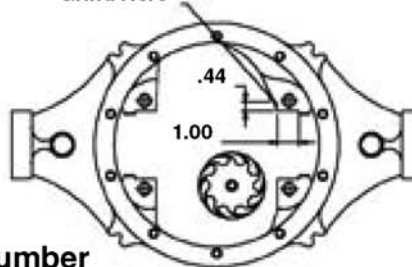
Applications: All Chrysler products with 8 1/4" & 8 3/8" ring gear. Accepts tone ring for ABS applications

Ratios: 2.71:1 & Up

Side Gear Spline: 27 Teeth **Model Years:** 1966-1996

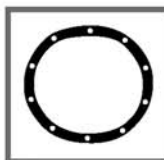
Bearing Cone: LM603049 **Bearing Cup:** LM603012

Grind Here



Chrysler 8 1/4" applications require modification to the axle housing as shown to provide clearance for the differential case. Clean housing after grinding.

Make	Year
Passenger Cars, Various	73-97
B100,150, 200,250	69-Present
B,D,W-100	66-97
B,D,W-200	69-97
B,D,W-300	66-97
Aspen/Volare	76-80
Barracuda/Challenger	70-74
Charger/Coronet	73-76
Chrysler 300	72-79
Cordoba	75-83
Dakota	87-Present
Dart	72-76
Diplomat/LeBaron	77-83
Fifth Avenue/New Yorker	72-88
Imperial	81-83
Fury	70-81
Mirada/Magnum	78-83
Newport	72-73
Polaris/Satellite	70-74
St. Regis	79-81
W100, 150	86-Present
Jeep Liberty	02-Present



Chrysler 8.25" & 8.375"
11 3/8"
10 Holes, Oval

AuburnGear Part Number

542074, High Performance Series

Applications: All Chrysler products with 8 1/4" & 8 3/8" ring gear. Accepts tone ring for ABS applications

Ratios: 2.71:1 & Up

Side Gear Spline: 29 Teeth **Model Years:** 1997 - Present

Bearing Cone: LM603049 **Bearing Cup:** LM603012

Chrysler 8 3/4", 10 Bolt



Chrysler 8.75"
8 11/16" x 10 19/32"
10 Holes, Round

AuburnGear Part Number

542051, Pro Series

Applications: All Chrysler products with 8 3/4" ring gear

Ratios: All ratios

Side Gear Spline: 30 Teeth

Bearing Cone: LM104949

Model Years: 1957-1974

Bearing Cup: LM104912

Make	Year
Belvedere	57-70
Coronet	69-70
300	57-73
Fury	57-74
Imperial	57-74
Town & Country	57-74
Valiant	60-74
Concord	63-68
Monaco	63-74
Polara	63-74
Barracuda	64-74
B200/B250	65-74
W100/W150	65-74
Charger (Daytona)	66-74
Dart/Swinger	66-72
Road Runner/Satellite	67-74
Super Bee	68-70
Newport/New Yorker	69-74
Challenger/Duster	70-74



Mini-Spool Part Number 544808

Axle Spline: 30 Teeth

Fits OEM open type (non-limited slip) differentials ONLY!!

No other modifications required.



Spool Part Number 544822

Ratios: 2.76:1 & up

Axle Spline: 35 Teeth (30° pressure angle)

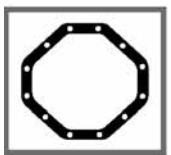
Bearing Cone: LM104949

Weight: 9.8 lbs.

Bearing Cup: LM104912

Made from 4140 steel forging, heat-treated and precision machined

Chrysler 9 1/4", 12 Bolt



Chrysler 9.25"
12 3/8" x 11 1/2"
12 Holes, Irregular

AuburnGear Part Number

542071, High Performance Series

Applications: All Chrysler products with 9 1/4" ring gear

Ratios: 2.71:1 & Up

Side Gear Spline: 31 Teeth

Bearing Cup: JLM704649

Model Years: 1968-1983

Bearing Cone: JLM704610

Make	Year
Polara	70-74
Fifth Avenue/Fury	73-81
Newport/New Yorker	73-81
Imperial	74-75
Charger	74-76
Cordoba	75-79
Monaco	75-85
B350	84-Present
D200	66-Present
D300/D350	74-Present
Dakota W/v8	98-Present
Durango	97-Present
Ramcharger/Trailduster	74-Present
W100/W150/W200/W250	66-Present



AuburnGear Part Number

542070, High Performance Series

Applications: All Chrysler products with 9 1/4" ring gear

Accepts tone ring for ABS applications

Ratios: 2.71:1 & Up

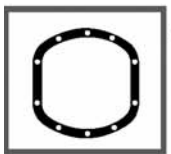
Side Gear Spline: 31 Teeth

Bearing Cup: JLM704649

Model Years: 1984-Present

Bearing Cone: JLM704610

Dana 30



Dana 30
9 1/8" x 8 3/4"
10 Holes

ECTED

AuburnGear Part Number

545016, 3.55:1 & Down

545017, 3.73:1 & Up

Applications: Dana 30 models without "C" clips

Side Gear Spline: 27 Teeth

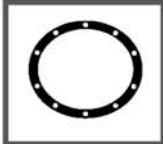
Model Years: 1967-2001

Bearing Cone: LM501349

Bearing Cup: LM501314

Make	Year	Make	Year
Jeep C-101 Jeepster	67-72	Ford Aerostar (R)	85-89
Jeep Cherokee/Wagoneer Full Size	71-73	Ford Bronco (F)	67-71
Jeep CJ	71-86	International Scout (F)	67-78
Jeep YJ	87-96	Courier* (F)	79-80
Jeep TJ	86- Present	Mazda* (F)	79-80
Jeep XJ Cherokee	84-01	Toyota* (F)	79-80
Jeep MJ Comanche	84-91 1/2	Nissan* (F)	79-80
Jeep ZJ/WJ Grand Cherokee	93- Present	*(Above vehicles that are equipped with conversion front ends.)	

Dana 35



Dana 35
9 1/4" x 10 3/8"
10 Holes

ECTED

AuburnGear Part Number

545012, 3.31:1 & Down
545013, 3.55:1 & Up

Applications: Dana 35 models
Side Gear Spline: 27 Teeth
Model Years: 1987-Present
***Bearing Cone:** LM102949
***Bearing Cup:** LM102911

ECTED

AuburnGear Part Number

545014, 3.31:1 & Down
545015, 3.55:1 & Up

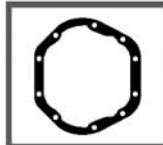
Applications: Dana 35 models
Side Gear Spline: 30 Teeth
Model Years: 1987-Present
***Bearing Cone:** LM102949
***Bearing Cup:** LM102911
***30 Teeth requires Aftermarket Axle Shafts.**

Make	Year
Jeep YJ	87-96
Jeep TJ	97- Present
Jeep XJ Cherokee	84-01
Jeep MJ Comanche	84-91 1/2
Jeep ZJ/WJ Grand Cherokee	93- Present
Ford Explorer/Mountaineer 4.0L* (F)	90-95 1/2
Ford Ranger 4.0L* (F)	90-97
Mazda B4000* (F)	90-97

*(Above units will work by adding coil spring in right side axle slip yoke assembly.)

***IMPORTANT Note:** These are not stock bearings. Bearings are available from Auburn Gear. Bearing kit part number 541070.

Dana 44



Dana 44
9 3/8" x 10 1/4"
10 Holes

AuburnGear Part Number

5420111, High Performance Series, 3.92:1 & Up
542084, Pro Series, 3.92:1 & Up

5420112, High Performance Series, 3.73:1 & Down
542085, Pro Series, 3.73:1 & Down

Applications: All Dana 44 models without "C" clips
Side Gear Spline: 19 Teeth **Model Years:** 1970 & Prior
Bearing Cone: 25590 **Bearing Cup:** 25523
Special Note: Some Dana 44 applications (19 tooth axle splines) require the use of an axle spacer, which is included with the unit.



AuburnGear Part Number

5420109, High Performance Series, 3.92:1 & Up
542082, Pro Series, 3.92:1 & Up

5420110, High Performance Series, 3.73:1 & Down
542083, Pro Series, 3.73:1 & Down

Applications: All Dana 44 models without "C" clips
Side Gear Spline: 30 Teeth **Model Years:** 1971-Present
Bearing Cone: 25590 **Bearing Cup:** 25523

Make	Year
Chevrolet K10, 25 Front	60-80
Chevrolet K30, 35 Front	67-76
Chevrolet C10, 5 Rear	60-70
Blazer Front	75-79
Chrysler W100,150	
200, 300 & 350 Front	69-Present
Ford Bronco Front	71-97
U100 Front	71-78
Ford F100 F150 4x4 Rear	67-78
Ford F100 Front	67-97
Ford F250 Front	67-97
Ford F150 Front	75-97
Cobra	63-67
Thunderbird	55-56
IHC Scout Front	67-80
IHC Scout Rear	67-80
IHC 100, 150, 200, 1100	
1110, 1200,1210 Front & Rear	65-75
Jeep C101 Rear	67-72
Jeep Wagoneer Front	67-83
Jeep J10, 20 Front	74-86
Jeep CJ5 Front & Rear	67-75
Jeep CJ7 Front & Rear	67-75
Jeep CJ7 Rear	85-86
Jeep Comanche Rear	86-92
Jeep Cherokee Rear	76-92
Jeep Grand Wagoneer Front	84-92
Jeep Wagoneer Front & Rear	67-83
Jeep "TJ"	2001



Dana 44
9 3/8" x 10 1/4"
10 Holes

ECTED

AuburnGear Part Number

545018, 3.73:1 & Down
545019, 3.92:1 & Up

Applications: All Dana 44 models without "C" clips
Side Gear Spline: 30 Teeth (only) **Model Years:** 1971 - Present
Bearing Cone: 25590 **Bearing Cup:** 25523

***IMPORTANT Note:** Model 44 Setup Bearing Kit Available, part number 541075

Every effort has been made to ensure accuracy of the contents of this catalog. However, we assume no responsibility for errors or omissions.

Dana 50

Part Number

545020, All Ratios

Applications: Ford F-250, F-350 and Excursion Front Axles

Side Gear Spline: 30Teeth

Bearing Cone: JLM104948 **Bearing Cup:** LM104911A

Make	Year
F250/F350	81-04
Excursion	2000-05

Dana 60



Dana 60
12 1/8", 10 Holes

544821, Spool Part Number

Ratios: 4.56:1 & up

Axle Spline: 35 Teeth (30° pressure angle)

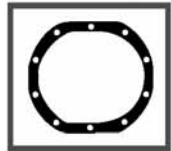
Bearing Cone: 387A **Bearing Cup:** 382S

Weight: 12.4 lbs.

Made from 4140 steel forging, heat-treated and precision machined

Make	Year
Dodge & Plymouth Cars with Hemi Engines	66-73

Ford 7 1/2", 10 Bolt



Ford 7.5"
10 3/4" x 9 9/16"
10 Holes, Oval

Part Number

542023, High Performance Series

542048, Pro Series

Applications: All Ford products with 7 1/2" ring gear

Accepts tone ring for ABS applications

Ratios: All ratios

Side Gear Spline: 28 Teeth **Model Years:** 1978-Present

Bearing Cone: LM501349 **Bearing Cup:** LM501314

Special Note: Ford 7.5" applications require special "C" washers, which are supplied with the differential. Includes milled pinion shaft to accept 3.73-4.56 ratios.

Make	Year
Aerostar	86-96
Bronco II	83-90
Ranger without 4.0L	83-99
Ford Full Size	79-86
Fairmont	78-83
Granada	79-94
Mustang 4 & 6 Cylinder	79-Present
Thunderbird	80-94
Mercury Full Size	79-85
Bobcat	75-80
Capri except 86 with V8	79-86
Cougar	80-87
Zephyr	79-83



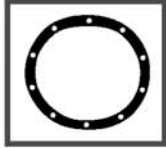
Important NOTE:

Bearings not included unless specifically stated.

Applications listed (make & year) are for reference only - always verify axle/ring gear size, ratio to be used and number of axle splines prior to purchase and installation.

Auburn Gear
PERFORMANCE DIFFERENTIALS

Ford 8", 10 Bolt



Ford 8"
11"
10 Holes, Oval

AuburnGear Part Number

542059, Pro Series
with 28 tooth axle splines
5420115, Pro Series
with 31 tooth axle splines

Applications: All Ford products with 7 3/4" & 8" ring gear Use Ford M-4216-B ring gear bolts for an open type differential, limited slip type bolts are too long.

Ratios: All ratios

Side Gear Spline: 28 Teeth

Bearing Cone: LM102949

Make	Year
Falcon	62-70
Mustang	65-79
Comet	64-72
Cougar	67-72
Fairlane	60-72

Model Years: 1960-1979

Bearing Cup: LM102910



544809, Mini-Spool

Part Number

Axle Spline: 28 Teeth

544810, Mini-Spool

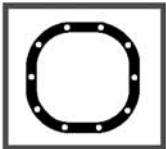
Part Number

Axle Spline: 31 Teeth

Fits OEM open type (non-limited slip differentials ONLY!!)

No other modifications required!

Ford 8.8", 10 Bolt



Ford 8.8"
10 9/16" x 10 13/16"
10 Holes, Oval

AuburnGear Part Number

542079, High Performance Series
542080, Pro Series

Applications: All Ford products with 8.8" ring gear including IRS (Independent Rear Suspension) applications Accepts tone ring for ABS applications

Ratios: All ratios

Side Gear Spline: 28 Teeth

Bearing Cone: LM603049

Model Years: 1979-Present

Bearing Cup: LM603012

Make	Year
Aerostar with 4.0L	90-96
Bronco	81-94
Explorer	90-Present
Ranger with 4.0L	90-Present
E150 - E250	83-99
F100	81-97
F150-250	81-Present
F150 Front	97-Present
Mustang V8	85-Present
Thunderbird	87-94
Capri V8	86-97
Cougar	88-01
Mercury Full Size	82-Present
Expedition Front	97-Present

Ford 8.8", 10 Bolt



AuburnGear Part Number

542025, High Performance Series
542054, Pro Series - 9310 Gear Material
5420116, Pro Series with 33 tooth side gear splines - 9310 Gear Material

Applications: All Ford products with 8.8" ring gear including IRS (Independent Rear Suspension) applications. Accepts tone ring for ABS applications

Ratios: All ratios

Side Gear Spline: 31 Teeth

Bearing Cone: LM603049

Model Years: 1983-Present

Bearing Cup: LM603012

Every effort has been made to ensure accuracy of the contents of this catalog. However, we assume no responsibility for errors or omissions.

Ford 8.8", 10 Bolt - Continued



ECTED

AuburnGear Part Number

545001

Applications: All Ford products with 8.8" ring gear including IRS & IFS (Independent Rear & Front Suspension) applications
Accepts tone ring for ABS applications

Ratios: All ratios

Side Gear Spline: 28 Teeth

Model Years: 1978-Present

Bearing Cone: LM603049

Bearing Cup: LM603012



ECTED

AuburnGear Part Number

545002

545005 for IRS applications only

Applications: All Ford products with 8.8" ring gear
Accepts tone ring for ABS applications

Ratios: All ratios

Side Gear Spline: 31 Teeth

Model Years: 1983-Present

Bearing Cone: LM603049

Bearing Cup: LM603012



544806, Mini-Spool Part Number

Axle Spline: 28 Teeth

544807, Mini-spool Part Number

Axle Spline: 31 Teeth

Fits OEM open type (non-limited slip) differentials ONLY!!
No other modifications required.

Auburn mini-spools are designed such that **C-CLIP ELIMINATORS ARE NOT REQUIRED!**

They are recommended, but not required.



544816, Spool Part Number

Ratios: All Ratios

Side Gear Spline: 31 Teeth (45° pressure angle)

Bearing Cone: LM603049

Bearing Cup: LM603012

Weight: 8.3 lbs.

Made from 4140 steel forging, heat-treated and precision machined



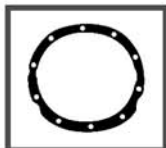
Important NOTE:

Bearings not included unless specifically stated.

Applications listed (make & year) are for reference only - always verify axle/ring gear size, ratio to be used and number of axle splines prior to purchase and installation.

AuburnGear
PERFORMANCE DIFFERENTIALS

Ford 9", 10 Bolt



Ford 9"
11 3/4"
10 Holes, Oval

AuburnGear Part Number

542043, Pro Series for 28 tooth axle splines
542036, Pro Series for 31 tooth axle splines



Applications: All Ford products with 8 3/4" & 9" ring gear
Use Ford M-4216-A210 ring gear bolts for an open type differential, limited slip type bolts are too long.

Ratios: All ratios **Model Years:** 1957-1987
Bearing Cone: LM102949 **Bearing Cup:** LM102910 *OR*
Bearing Cone: LM603049 **Bearing Cup:** LM603011

Make	Year
Bronco	67-86
E200	68-74
E100/150	86-87
Mercury	57-73
Ford	57-80
Thunderbird	57-73
All Light Trucks	57-87
Fairlane	62-73
Comet	65-67
Cougar	65-79
Mustang	65-73
Montego	68-76
Ltd II	71-79
Torino	71-79
Granada	75-80
Monarch	75-80
Versailles	77-80



544809, Mini-Spool Part Number

Axle Spline: 28 Teeth

544810, Mini-Spool Part Number

Axle Spline: 31 Teeth

Fits OEM open type (non-limited slip) differentials ONLY!!
No other modifications required!



544813, Spool Part Number

Axle Splines: 31 Teeth (45 degree pressure angle) **Weight:** 7.7 lbs.

544814, Spool Part Number

Axle Splines: 33 Teeth (45 degree pressure angle) **Weight:** 7.3 lbs.

All Ratios use: 2.891" Case **Bearing Cone:** LM102949 **Bearing Cup:** LM102910

All Ratios use: 3.062" Case **Bearing Cone:** LM603049 **Bearing Cup:** LM603011

544815, Spool Part Number

Axle Splines: 35 Teeth (30 degree pressure angle) **Weight:** 8.1 lb

All Ratios use:

3.250" Case Aftermarket Housing **Bearing Cone:** LM104949 **Bearing Cup:** LM104911

All spools are made from 4140 steel forging, heat-treated and precision machined.

Ford 9 3/4", 12 Bolt



AuburnGear Part Number

542090, High Performance Series

Applications: All Ford products with 9 3/4" ring gear
Accepts tone ring for ABS applications. Fits IRS applications.

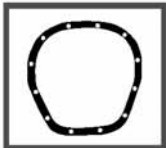
Ratios: All ratios

Side Gear Spline: 34 Teeth **Model Years:** 1997-Present
Bearing Cone: NP343847 **Bearing Cup:** NP372019

Make	Year
Navigator	97-Present
Expedition	97-Present
E150	97-Present
E250	97-Present
E350	97-Present
F150	97-Present
Lightning	99-Present

Every effort has been made to ensure accuracy of the contents of this catalog. However, we assume no responsibility for errors or omissions.

Ford 10 1/4" & 10 1/2", 12 Bolt



Ford 10.25"
12 1/8" x 13 5/16"
12 Holes, Irregular

Part Number

542089, High Performance Series

Applications: All Ford products with 10 1/4" & 10 1/2" ring gear
Accepts tone ring for ABS applications

Ratios: All ratios

Side Gear Spline: 35 Teeth

Bearing Cone: 469

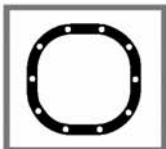
Model Years: 1983-Present

Bearing Cup: 453X

Make	Year
F250	83-Present
F350	83-Present
F450	83-Present

Autocross Road Race Units

Auburn Gear, Inc. has developed a performance limited slip differential specifically for road racing—a differential case designed to allow the center pin to float along with the axle shafts. This design feature aids the driver when cornering, so that when the driver is turning, the outside wheel axle shaft will apply a force to the center pin hence, the pinion gears will firmly seat the inside cone/side gear assembly giving the racer an extremely "tight" rear axle. The greater the G-force the more bite you get!!!! If you are an avid road racer you'll want this unit. It'll allow you to pass your competition. *Hook Up* with an Auburn **Road Race Performance Differential** — you won't be disappointed!!!!



Ford 8.8"
10 9/16" x 10 13/16"
10 Holes, Oval

Part Number

542039, Autocross Road Race Series

Applications: All Ford products with 8.8" ring gear

Accepts tone ring for ABS applications

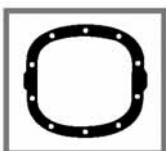
Ratios: All ratios

Side Gear Spline: 28 Teeth

Bearing Cone: LM603049

Model Years: 1979-Present

Bearing Cup: LM603012



GM 7.5"
& 7.625"
8 5/16" x 10 9/16"
10 Holes, Oval

Part Number

542088, Autocross Road Race Series

Applications: All GM products with 7 1/2" & 7 5/8" ring gear

Accepts tone ring for ABS applications

Ratios: 3.23:1 & Up

Side Gear Spline: 28 Teeth

Bearing Cone: LM501349

Model Years: 1988-Present

Bearing Cup: LM501314



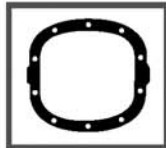
Important NOTE:

Bearings not included unless specifically stated.

Applications listed (make & year) are for reference only - always verify axle/ring gear size, ratio to be used and number of axle splines prior to purchase and installation.

AuburnGear
PERFORMANCE DIFFERENTIALS

GM 7 1/2" & 7 5/8", 10 Bolt



GM 7.5"
& 7.625"
8 5/16" x 10 9/16"
10 Holes, Oval

AuburnGear Part Number

542057, High Performance Series, 3.23:1 & Up
542058, High Performance Series, 3.08:1 & Down
542044, Pro Series, 3.23:1 & Up
542045, Pro Series, 3.08:1 & Down

Applications: All GM products with 7 1/2" & 7 5/8" ring gear
Side Gear Spline: 26 Teeth **Model Years:** 1976-1988
Bearing Cone: LM501349 **Bearing Cup:** LM501314

Make	Year
Omega	75-79
Skylark	76-79
Buick/Olds/Pontiac	
Full Size	77-88
Chevrolet Full Size	77-88
Century/Phoenix/ Ventura	78-81
Cutlass/Grand Prix	78-87
Monte Carlo/Regal	78-87
Camaro/Firebird	82-88
S10/S15	82-88
Astro/Safari	85-88
El Camino	77-87



AuburnGear Part Number

542040, High Performance Series, 3.23:1 & Up
542041, High Performance Series, 3.08:1 & Down
542046, Pro Series, 3.23:1 & Up
542047, Pro Series, 3.08:1 & Down

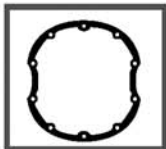
Applications: All GM products with 7 1/2" & 7 5/8" ring gear
 Accepts tone ring for ABS applications

Side Gear Spline: 28 Teeth **Model Years:** 1988-Present
Bearing Cone: LM501349 **Bearing Cup:** LM501314

Special Note: GM 7 5/8" applications use (2) different tone wheels depending on the differential case series.
 3.08:1 & down gear ratios - Series 2 Case 3.23:1 & up gear ratios - Series 3 Case

Make	Year
Buick/Olds/Pontiac	
Full Size	88-90
Chevrolet Full Size	88-96
Camaro/Firebird	88-02
S10/S15	88-Present
Astro/Safari	88-Present
Isuzu Rodeo	89-93
Olds Bravada	91-02

Chevy 8.2", 10 Bolt



GM 8.2
11 1/2", 10 Holes

AuburnGear Part Number

5420108, High Performance Series
542061, Pro Series

Applications: Chevrolet with 8.2" ring gear. "C" lock axle.
 25 tooth pinion spline.

Ratios: 3.08:1 & Up
Side Gear Spline: 28 Teeth **Model Years:** 1964-1972
Bearing Cone: LM501349 **Bearing Cup:** LM501314

Make	Year
Chevrolet	65-70
Chevlelle	64-72
Camaro	67-70
Chevy II	64-70
Nova	70-72



544804, Mini-Spool Part Number

Axle Spline: 28 Teeth

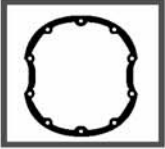
Fits OEM open type (non-limited slip) differentials ONLY!!
 No other modifications required.

Auburn mini-spools are designed such that **C-CLIP ELIMINATORS ARE NOT REQUIRED!**

They are recommended, but not required.

Every effort has been made to ensure accuracy of the contents of this catalog. However, we assume no responsibility for errors or omissions.

Buick - Olds - Pontiac 8.2", 10 Bolt



GM 8.2
(Buick, Olds, Pontiac.)
11 1/2", 10 Holes

AuburnGear Part Number

5420113, High Performance Series, 3.36:1 & Up
5420114, High Performance Series, 2.93:1 to 3.23:1
542060, Pro Series, 3.36:1 & Up
542099, Pro Series, 2.93:1 to 3.23:1

Applications: Buick, Olds, Pontiac with 8.2" ring gear
 Non "C" lock axle - 27 tooth pinion spline

Side Gear Spline: 28 Teeth **Model Years:** 1964-1971

Bearing Cone: LM501349 **Bearing Cup:** LM501314

Special Note: Differential bearings provided with 542099 and 5420114.

Make	Year
Tempest/GTO	64-71
Firebird	67-71
Olds F85	64-70

Note: Will not fit "O" Axle with 12-bolt cover and 10-bolt ring gear.



544805, Mini-Spool Part Number

Axle Spline: 28 Teeth

Fits OEM open type (non-limited slip) differentials ONLY!!

No other modifications required.

Auburn mini-spools are designed such that **C-CLIP ELIMINATORS ARE NOT REQUIRED!**

They are recommended, but not required.

Special Note: This application may require a spacer between the (2) drive blocks to hold them apart depending upon axle shaft length.

GM 8.2"/8.4", 10 Bolt 1955-1964 Chevy



AuburnGear Part Number

5420100, Pro Series

Make	Year
Bel Air	55-64
Impala	55-64
Biscayne	55-64
Corvette	55-62
Series 150/210	55-64
El Camino	55-64
Chevy II	55-64

Ratios: 3.70:1 & Down - 3 Series Case

Side Gear Spline: 17 Teeth **Model Years:** 1955-1964

Bearing Cone: LM603049 **Bearing Cup:** LM603014

HOUSING MODIFICATION FOR NON-POSI HOUSINGS

Axle housings not originally equipped with a posi-traction will require modification to provide necessary clearance for the limited slip differential.

NO MODIFICATIONS ARE REQUIRED IF USING AN ORIGINAL POSI HOUSING.

Modify the NON-POSI housing by removing a portion of the rib as shown below.

REMOVE MATERIAL



Unmodified NON-POSI Housing



Modified NON-POSI Housing

Corvette, 10 Bolt, 1963-1979



AuburnGear Part Number

542062, Pro Series, 2.41:1 to 3.70:1
542063, Pro Series, 4.10:1 & Up

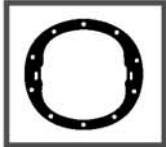
Side Gear Spline: 17 Teeth
Bearing Cone: LM603049

Model Years: 1963-1979
Bearing Cup: LM603012



Dan Anthony, Auburn Gear employee - his 1976 Corvette really *hooks up* with the addition of an Auburn Gear Pro Series Corvette Limited Slip Diff.

GM 8.5" & 8.6", 10 Bolt



GM 8.5" Front
11"
10 Holes, Irregular

AuburnGear Part Number

542018, High Performance Series
542050, Pro Series - Large bearing hub - unit includes differential bearings

Applications: All GM products with 8.5" & 8.6" ring gear
Ratios: 2.73:1 & Up

Side Gear Spline: 28 Teeth
542018, Bearing Cone: LM501349
542050, Bearing Cone: LM102949
Special Note: Bearings provided with 542050, Pro Series Unit

Model Years: 1971-1988
Bearing Cup: LM501314
Bearing Cup: LM102911



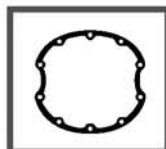
AuburnGear Part Number

542022, High Performance Series
542052, Pro Series - Large bearing hub - unit includes differential bearings

Applications: All GM products with 8.5" & 8.6" ring gear
Ratios: 2.73:1 & Up

Side Gear Spline: 30 Teeth
542022, Bearing Cone: LM501349
542052, Bearing Cone: LM102949
Special Note: Bearings provided with 542052, Pro Series Unit

Model Years: 1989-1998
Bearing Cup: LM501314
Bearing Cup: LM102911



GM 8.6" Rear
10 5/8"
10 Holes, Irregular

AuburnGear Part Number

542097, High Performance Series
- 1999 to Present
542052, Pro Series

Applications: All GM products with 8.5" & 8.6" ring gear.
Ratios: 2.73:1 & Up

Side Gear Spline: 30 Teeth
542097, Bearing Cone: LM603049
542052, Bearing Cone: LM603049

Model Years: 1999 - Present
Bearing Cup: LM603012
Bearing Cup: LM603012

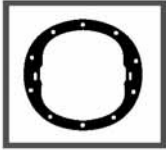
Special Note: Bearings provided in 542052, however if vehicle is 99 model year or newer, bearings will not be used. Use bearings specified above.

Make	Year
Apollo/Regal/Century	73-77
Biscayne/Roadmaster	71-74
Buick full size	77-present
Camaro	70-81
Chevelle	70-76
Chevy full size	77-96
Chevy II/Nova	70-79
Cutlass/Grand Prix/LeMans/GTO/Ventura/Phoenix	71-77
El Camino/ Monte Carlo	71-77
Electra	73-78
Grand National	84-87
Grand Sport	73-84
GTO/Firebird/Trans Am	70-81
Hurst Olds	85-88
Impala/Roadmaster	91-96
LeSabre	73-74
Olds F-85	70-76
Olds/Pontiac full size	71-89
Omega	73-75
Skylark/GS	77-79
Z-28	72-81
Blazer front/rear	77-91
Suburban	
C10/C15/G10/G15	78-present
G20/G25	79-present
K10/K15/K20/K26 front	77-87
K10/K15 rear	82-present

NOTE: 542097 can be substituted for **542022** with a bearing change. Use LM102949, LM102911. The reverse case will not fit. 542022 cannot be substituted for the 542097.

Every effort has been made to ensure accuracy of the contents of this catalog. However, we assume no responsibility for errors or omissions.

GM 8.5" & 8.6", 10 Bolt - Continued



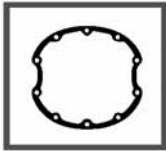
GM 8.5" Front
11"
10 Holes, Irregular

ECTED

AuburnGear Part Number

545003

Applications: All GM products with 8.5" & 8.6" ring gear
Ratios: 2.73:1 & Up
Side Gear Spline: 28 Teeth **Model Years:** 1971-1988
Bearing Cone: LM102949 **Bearing Cup:** LM102911



GM 8.6" Rear
10 5/8"
10 Holes, Irregular

AuburnGear Part Number

545004

Applications: All GM products with 8.5" & 8.6" ring gear
Ratios: 2.73:1 & Up
Side Gear Spline: 30 Teeth
1989 to 1998, Bearing Cone: LM102949
1999 to Present, Bearing Cone: LM603049

NOTE: 541070
Bearing Kit Contains:
(2) LM102949
(2) LM102911

Model Years: 1989-Present
Bearing Cup: LM102911
Bearing Cup: LM603012



Mini-Spool Part Number 544803
Axle Spline: 28 Teeth

Mini-spool Part Number 544802
Axle Spline: 30 Teeth

Fits OEM open type (non-limited slip) differentials ONLY!! No other modifications required.
Auburn mini-spools are designed such that **C-CLIP ELIMINATORS ARE NOT REQUIRED!**
They are recommended, but not required.



Spool Part Number 544819
Axle Splines: 30 Teeth (45 degree pressure angle)
Bearings included with Spool **Weight:** 8.9 lbs.

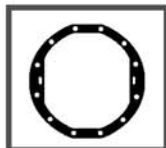
Spool Part Number 544820
Axle Splines: 33 Teeth (45 degree pressure angle)
Bearings included with Spool **Weight:** 8.2 lbs.
Bearing Cone: LM102949 **Bearing Cup:** LM102911 **Special Note:** 2.73:1 Ratio & Up
All spools are made from 4140 steel forging, heat-treated and precision machined.



Important NOTE:
Bearings not included unless specifically stated.
Applications listed (make & year) are for reference only - always verify axle/ring gear size, ratio to be used and number of axle splines prior to purchase and installation.

AuburnGear
PERFORMANCE DIFFERENTIALS

GM 8 7/8", 12 Bolt - Car



GM 8.875" Car
10 7/8"
12 Holes, Oval

AuburnGear Part Number

5420104, High Performance Series
542031, Pro Series
5420117, Pro Series with 33 tooth side gear splines - 9310 Gear Material

Applications: Chevrolet Passenger Car with 8 7/8" ring gear "C" axle - 4 Series Case

Ratios: 4.10:1 & Up

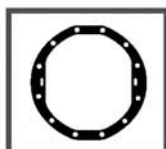
Side Gear Spline: 30 Teeth

Bearing Cone: LM603049

Model Years: 1964-1972

Bearing Cup: LM603012

Make	Year
Chevrolet	64-72
Chevy II	64-72
Chevelle	64-72
Camaro	67-72
El Camino	65-72
Firebird	67-72
Grand Prix	70-72
GTO/LeMans	65-72
Monte Carlo	70-72
Nova	70-72
Olds F85	68-70



GM 8.875" Car
10 7/8"
12 Holes, Oval

AuburnGear Part Number

5420106, High Performance Series
542033, Pro Series
5420118, Pro Series with 33 tooth side gear splines - 9310 Gear Material

Applications: Chevrolet Passenger Car with 8 7/8" ring gear, "C" axle - 3 Series Case

Ratios: 3.07:1 to 3.73:1

Side Gear Spline: 30 Teeth

Bearing Cone: LM603049

Model Years: 1964-1972

Bearing Cup: LM603012



ECTED

AuburnGear Part Number

545008

Applications: All Chevrolet passenger car with 8 7/8" ring gear, "C" axle - 3 series case

Ratios: 3.07:1 to 3.73:1

Side Gear Spline: 30 Teeth

Bearing Cone: LM603049

Model Years: 1964-1972

Bearing Cup: LM603012

AuburnGear Part Number

545010

Applications: All Chevrolet passenger car with 8 7/8" ring gear, "C" axle - 4 series case

Ratios: 4.10:1 & Up

Side Gear Spline: 30 Teeth

Bearing Cone: LM603049

Model Years: 1964-1972

Bearing Cup: LM603012



ECTED has been designed with the street/strip user and avid off-roader in mind!

Like the green lights at the bottom of a Christmas tree or a green traffic signal, our ECTED green light means it's time to *Hook Up* and go fast!

OR if you prefer.....

Green mountains, green forests or green pastures—**NO MATTER**—our ECTED

green light means you're ready for some serious off-roading, because green illumination means ECTED is locked in (spool/locker mode)! See pages 4 and 5 for more details.

Every effort has been made to ensure accuracy of the contents of this catalog. However, we assume no responsibility for errors or omissions.

GM 8 7/8", 12 Bolt - Car- Continued



Mini-Spool Part Number 544801

Axle Spline: 30 Teeth

Fits OEM open type (non-limited slip) differentials ONLY!! No other modifications required. Auburn mini-spools are designed such that **C-CLIP ELIMINATORS ARE NOT REQUIRED!** They are recommended, but not required.



Spool Part Number 544817

Axle Splines: 30 Teeth (45 degree pressure angle)

Weight: 9.4 lbs.

Spool Part Number 544818

Axle Splines: 33 Teeth (45 degree pressure angle)

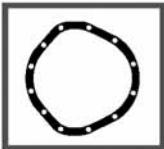
Weight: 8.8 lbs.

Bearing Cone: LM603049 **Bearing Cup:** LM603012

Special Note: 4 Series Carrier - 4.10:1 Ratio & Up

All spools are made from 4140 steel forging, heat-treated and precision machined.

GM 8 7/8", 12 Bolt - Truck



AuburnGear Part Number

5420105, High Performance Series

542032, Pro Series

GM 8.875" Truck
11 1/2"
12 Holes, Irregular

Applications: Chevrolet Truck with 8 7/8" ring gear - 4 Series Case

Ratios: 3.73:1 & Up

Side Gear Spline: 30 Teeth

Model Years: 1964-1982 1/2

Bearing Cone: LM603049

Bearing Cup: LM603012

Make	Year
1/2 ton Truck	64-82
3/4 ton Truck	64-82
G20, G25	69-81
G10, G15	69-81
K10, K15	64-82
C10, C15	64-82



AuburnGear Part Number

5420107, High Performance Series

542034, Pro Series

Applications: Chevrolet Truck with 8 7/8" ring gear
- 3 Series Case

Ratios: 2.76:1 to 3.42:1

Side Gear Spline: 30 Teeth

Model Years: 1964 - 1982 1/2

Bearing Cone: LM603049

Bearing Cup: LM603012



Important NOTE:

Bearings not included unless specifically stated.

Applications listed (make & year) are for reference only - always verify axle/ring gear size, ratio to be used and number of axle splines prior to purchase and installation.

AuburnGear
PERFORMANCE DIFFERENTIALS

GM 8 7/8", 12 Bolt - Truck- Continued



ECTED

AuburnGear Part Number

545009

Applications: All Chevrolet truck with 8 7/8" ring gear - 3 series case

Ratios: 2.76:1 to 3.42:1

Side Gear Spline: 30 Teeth **Model Years:** 1964-1982^{1/2}

Bearing Cone: LM603049 **Bearing Cup:** LM603012

545011

Applications: All Chevrolet truck with 8 7/8" ring gear - 4 series case

Ratios: 3.73:1 & Up

Side Gear Spline: 30 Teeth

Model Years: 1964-1982^{1/2}

Bearing Cone: LM603049

Bearing Cup: LM603012

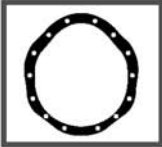


544801, Mini-Spool Part Number

Axle Spline: 30 Teeth

Fits OEM open type (non-limited slip) differentials ONLY!! No other modifications required. Auburn mini-spools are designed such that **C-CLIP ELIMINATORS ARE NOT REQUIRED!** They are recommended, but not required.

GM 9 1/2", 14 Bolt



GM 9.5" Rear
12 1/8" x 13 5/16"
14 Holes, Irregular

AuburnGear Part Number

542087, High Performance Series

Applications: All GM Products with 9 1/2" ring gear

Ratios: All

Side Gear Spline: 33 Teeth

Bearing Cone: Set 42

Model Years: 1981 - Present

Bearing Cup: Set 42

Make	Year
C10, C15, C20	88-present
C30, C35	83-present
G20, G25	88-present
G10, G15	81-present
K10, K15	89-present
C10, C15	81-present

Toyota 8 7/8" 12 Bolt



AuburnGear Part Number

542030, Pro Series

Applications: Land Cruiser

Side Gear Spline: 30 Teeth

Bearing Cone: LM603049

Special Note: 1967 & prior must update to 30 tooth axle shafts

Ratios: All Ratios

Model Years: 1968-1989

Bearing Cup: LM603012

Every effort has been made to ensure accuracy of the contents of this catalog. However, we assume no responsibility for errors or omissions.

AuburnGear
PERFORMANCE DIFFERENTIALS

Differential Service Kits

Application	AG Diff. Part Number	Spring Retainer Service Kit	Pinion Gear Service Kit	Pinion Shaft Service Kit
GM 7.5 & 7 5/8	542040, 41, 57, 58 542044, 45, 46, 47	541016 541017	541011 541011	541005 541005
GM 8.5 & 8.6	542018, 22, 29, 97 542050, 52	541018 541019	541012 541012	541007 541007
GM 8.2	542060, 61, 108, 113	541035	541036	541037
1963 -79 Corvette	542062, 63	541035	541036	541037
GM 8 7/8 12 Bolt, Car & Truck	542031, 32, 33, 34 5420104, 105, 106, 107	541022	541014	541009
GM 9.5	542087	541043	541044	541042
Ford 7.5	542023 542048	541016 541017	541011 541011	541006 541006
Ford 8.8, 28 Tooth	542024, 79 542053, 80	541018 541019	541012 541012	541007 541007
Ford 8.8, 31 Tooth	542025 542054	541020 541021	541013 541013	541008 541008
Ford 8" & 9"	542036, 43, 59	541023	541015	541010
Ford 9.75	542090	541043	541044	541042
Ford 10 1/4	542089	541045	541046	541047
Chrysler 9 1/4	542070, 71	541038	541039	541040
Chrysler 8 1/4	542072, 74	541041	541012	541007
Chrysler 8 3/4	542051	541022	541014	541024
AMC Model 20	542081	541019	541012	541007
Toyota Landcruiser	542030	541022	541014	541009
Dana Model 44	542082, 83, 84, 85 109, 110, 111, 112	541019	541012	541007
Buick/Olds/Pontiac 8.2	542099, 114	541035	541036	541048
Chevy 8.4	5420100	541041	541012	541049



Pinion Gear Service Kit



Spring Retainer Service Kit



Pinion Shaft Service Kit

NOTE:
Also Available
Additive 504102
Single = (1) 6 oz. Bottle
Case = (25) 6 oz. Bottles

ECTED Service Kits

ECTED Application	ECTED Part Number	Wire Harness & Switch Kit	(8) Coil Assembly	(9) Coil Bearing	(7) Clutch Kit	(5) Pinion Shaft Kit	(1 thru 7) Master Kit	Axle Shaft Spacer	Differential Bearing Kit
Ford 8.8 with 28 Spline Axles	545001	541051	541052	541053	541054	541055	541057	N/A	N/A
Ford 8.8 with 31 Spline Axles (C-clip only)	545002	541051	541052	541053	541054	541056	541059	N/A	N/A
GM 8.5 with 28 Spline Axles	545003	541051	541052	541053	541054	541055	541057	N/A	541070
GM 8.5 with 30 Spline Axles	545004	541051	541052	541053	541054	541055	541058	N/A	(thru 1998) 541070
Ford 8.8 with 31 Spline Axles (IRS only)	545005	541051	541052	541053	541054	541056	541060	N/A	N/A
AMC 20	545006 & 07	541051	541052	541053	541054	541055	541061	541050	N/A
Chevrolet 12 Bolt, Car & Truck, 30 Spline Axles	545008, 09, 10, 11	541051	541052	541053	541054	541055	541062	N/A	N/A
Dana 35, 27 Spline Axles	545012 & 13	541051	541063	541053	541064	541065	541066	N/A	541070
Dana 35, 30 Spline Axles	545014 & 15	541051	541063	541053	541064	541065	541067	N/A	541070
Dana 30, 27 Spline Axles	545016 & 17	541051	541063	541053	541069	541065	541068	N/A	N/A
Dana 44, 30 Spline Axles	545018 & 19	541051	541063	541053	541072	541071	541073	N/A	N/A

Auburn Gear

Light Duty Transmission Rebuild Kit Applications

Acura									
Speeds	Model #	Year	FWD/RWD	Case	Casting #	Engine	Notes	Kit	w/ Synchronizer Rings
2.2CL									
5	S2A4	97	FWD	Alum.				TRK-FH180	TRK-FH180WS
2.3CL									
5	S2A8	98-99	FWD	Alum.				TRK-FH180	TRK-FH180WS1
3.2CL									
6	YZC6	2003	FWD	Alum.				TRK-FH410	
Integra									
5	A1	91	FWD	Alum.				TRK-FH280	TRK-FH280WS1
5	CG	86-89	FWD	Alum.			Black Tin Cover Over 5th Gears	TRK-FH120	TRK-FH120WS
5	S1	90	FWD	Alum.				TRK-FH280	TRK-FH280WS
5	SS0	92-93	FWD	Alum.		1.8L	4 Door	TRK-FH260	TRK-FH260WS
5	Y80, S80	94-98	FWD	Alum.		1.8L V-Tech	Taper Diff Brg.	TRK-FH220	TRK-FH220WS
5	Y80, S80	98-01	FWD	Alum.		1.8L V-Tech	Ball Diff Brg.	TRK-FH400	TRK-FH400WS
5	Y80, S80	94-01	FWD	Alum.		1.8L	Ball Diff Brg.	TRK-FH260	TRK-FH260WS
5	YS1	92-93	FWD	Alum.		1.8L		TRK-FH260	TRK-FH260WS
5	YS1	92-93	FWD	Alum.		1.7L V-Tech	3pc. 2nd Gear Synchro	TRK-FH260	TRK-FH260WS1
Legend									
5	C3P4	86-88	FWD	Alum.				TRK-FH190	TRK-FH190WS
5	G3T4	89-90	FWD	Alum.				TRK-FH190	TRK-FH190WS
5	K4A6	91-95	FWD	Alum.				TRK-FH230	TRK-FH230WS
6	K4F6	93-95	FWD	Alum.				TRK-FH230	TRK-FH230WS
RSX									
5	W2M5	02-05	FWD	Alum.				TRK-FH420	
6	X2M5	02-05	FWD	Alum.		Type S		TRK-FH420	
TL									
6		04-05	FWD	Alum.				TRK-FH430	
TSX									
6	ASU5	04-05	FWD	Alum.				TRK-FH440	
Vigor									
5	L3A3	92-94	FWD	Alum.				TRK-FH330	

AMC/Eagle									
Speeds	Model #	Year	FWD/RWD	Case	Casting #	Engine	Notes	Kit	w/ Synchronizer Rings
Various Cars									
3	T14	68-76	RWD	Iron	T-14 or 13-02		6 Bolt Top Cover, AMC Only Not Jeep	TRK-BW14	TRK-BW14WS
3 w/ O/D	T14	68-76	RWD	Iron	T-14 or 13-02		6 Bolt Top Cover, AMC Only Not Jeep	TRK-BW14A	TRK-BW14AWS
3	T15	68-72	RWD	Iron	T-15 or 13-07		8 Bolt Top Cover	TRK-BW15	TRK-BW15WS
3 w/ O/D	T15	68-72	RWD	Iron	T-15 or 13-07		8 Bolt Top Cover	TRK-BW15A	TRK-BW15AWS
3	T86	67-78	RWD	Iron	T-86		9 Bolt Top Cover	TRK-BW86JA	TRK-BW86JAWS
3 w/ O/D	T86	67-78	RWD	Iron	T-86		9 Bolt Top Cover	TRK-BW86JB	TRK-BW86JBWS
3	T96	67-72	RWD	Iron	T-96 or 13-03199			TRK-BW96A	TRK-BW96AWS
3 w/ O/D	T96	67-72	RWD	Iron	T-96 or 13-03199			TRK-BW96B	TRK-BW96BWS
3	T96	67-72	RWD	Iron	T-96 or 13-03232			TRK-BW96C	TRK-BW96CWS
3 w/ O/D	T96	67-72	RWD	Iron	T-96 or 13-03232			TRK-BW96D	TRK-BW96DWS
3	T150	74-79	RWD	Iron	260xxxx		9 Bolt Top Cover	TRK-150A	TRK-150AWS
4	SR4	76-81	RWD	Alum.	1332			TRK-BWSR4	TRK-BWSR4WS
4	SR4	78-82	4x4	Alum.	1332			TRK-BWSR4J	TRK-BWSR4JWS
4	T4	82-84	4x4	Alum.				TRK-4J	TRK-4JWS
4	T10	65-74	RWD	Iron				TRK-10W	TRK-10WWS
5	T5	82-85	4x4	Alum.				TRK-5	TRK-5WS

Light Duty Transmission Rebuild Kit Applications

AMC/Eagle CONTINUED

Speeds	Model #	Year	FWD/RWD	Case	Casting #	Engine	Notes	Kit	w/ Synchronizer Rings
Summit									
4	F4M21/KM200	92	FWD			1.5L	Ball Diff Brgs.	TRK-FM100	TRK-FM100WS1
5	F5M21/KM201	89-92	FWD			1.5L	Ball Diff Brgs. (3-4 Synchro Rings 30 Teeth)	TRK-FM100	TRK-FM100WS
5	F5M21/KM201	93-96	FWD			1.5L	Ball Diff Brgs. (3-4 Synchro Rings 36 Teeth)	TRK-FM100	TRK-FM100WS2
5	F5M22/KM206	89-90	FWD			1.6L	Taper Diff Brgs.	TRK-FM150	TRK-FM150WS
5	F5M22/KM206	89-94	FWD			1.8L	Taper Diff Brgs.	TRK-FM150	TRK-FM150WS
5	F5M22/KM206	95-96	FWD			1.8L	Taper Diff Brgs. (Synchro Rev.)	TRK-FM150	TRK-FM150WS1
5	F5M31	93	FWD			2.4L	Taper Diff Brgs.	TRK-FM360	TRK-FM360WS1
5	F5M31	94-96	FWD			2.4L	Taper Diff Brgs.	TRK-FM360	TRK-FM360WS
5	W5M33/KM201	92-93	4x4			2.4L	Ball Diff Brgs. (Synchro Rev.)	TRK-FM160	TRK-FM160WS
5	W5M33/KM201	94-96	4x4			2.4L	Ball Diff Brgs. (Synchro Rev.)	TRK-FM160	TRK-FM160WS1

Talon

5	F5M22	90-92	FWD	Alum.		1.8L	3-4 Synchro Rings 30 Teeth	TRK-FM150	TRK-FM150WS
5	F5M22	90-92	FWD	Alum.		2.0L	3-4 Synchro Rings 30 Teeth Synchro Rev.	TRK-FM150	TRK-FM150WS1
5	F5M22	93-94	FWD	Alum.		1.8L, 2.0L	3-4 Synchro Rings 36 Teeth, Synchro Rev.	TRK-FM150	TRK-FM150WS2
5	F5MC1/ NVT350/A578	95-98	FWD	Alum.		2.0L	Taper Diff Brgs. (3 Pc.1-2 Synchro Rings.)	TRK-350	TRK-350WS
5	F5M33	90-93	FWD	Alum.		2.0L Turbo	Fiber Lined 1-2 Rings, Synchro Rev.	TRK-FM180	TRK-FM180WS
5	F5M33	94-98	FWD	Alum.		2.0L Turbo	Brass 1-2 Rings, Synchro Rev.	TRK-FM180	TRK-FM180WS4
5	W5M33	90-4/91	4x4	Alum.		2.0L Turbo	Ball Diff Brgs. (Fiber Lined 1-2 Rings, Synchro Rev.)	TRK-FM160	TRK-FM160WS
5	W5M33	5/91-5/92	4x4	Alum.		2.0L Turbo	Ball Diff Brgs. (Brass 1-2 Rings, Synchro Rev.)	TRK-FM160	TRK-FM160WS1
5	W5M33	6/92-5/93	4x4	Alum.		2.0L Turbo	Ball Diff Brgs. (3 Pc. 2nd Synchro Ring 24 Teeth 3-4 Rings, Synchro Rev.)	TRK-FM160	TRK-FM160WS2
5	W5M33	6/93-98	4x4	Alum.		2.0L Turbo	Ball Diff Brgs. (3 Pc. 2nd Synchro Ring, 39 Teeth 3-4 Rings, Synchro Rev.)	TRK-FM160	TRK-FM160WS3
	KM272	90-98					Transfer Case Section Only	TRK-FM350	

Chrysler (Dodge, Plymouth)

Speeds	Model #	Year	FWD/RWD	Case	Casting #	Engine	Notes	Kit	w/ Synchronizer Rings
All Car Makes (82 & Earlier)									
3	NP230	70-80	RWD	Iron			9 Bolt Side Cover With 35 x 80 x 21 I/S & O/S Brgs.	TRK-NP100	TRK-NP100WS
3	NP230	70-80	RWD	Iron			9 Bolt Side Cover With 35 x 90 x 21 I/S & O/S Brgs.	TRK-NP100A	TRK-NP100AWS
3	NP250	72-74	RWD	Iron			6 Bolt Side Cover & 4 Bolt Front Retainer (14mm Wide O/S Brg.)	TRK-NP110A	TRK-NP110AWS
3	NP250	72-74	RWD	Iron			6 Bolt Side Cover & 4 Bolt Front Retainer (17mm Wide O/S Brg.)	TRK-NP110	TRK-NP110WS
3	NP903	62-72	RWD	Iron			6 Bolt Side Cover & 3 Bolt Front Retainer	TRK-NP150	TRK-NP150WS
3	390	74-76	RWD	Iron	260xxxx		9 Bolt Top Cover	TRK-150A	TRK-150AWS
4	NP460	81-82	FWD	Alum.			1-4 Snchro Rings Same Size	TRK-465	TRK-465WS2
4	NP833	64-72	RWD	Iron			10 Bolt Side Cover	TRK-833A	TRK-833AWS
4 w/ O/D	NP833	75-80	RWD	Iron or Alum.			10 Bolt Side Cover	TRK-833B	TRK-833BWS

Light Duty Transmission Rebuild Kit Applications

Chrysler (Dodge, Plymouth) CONTINUED									
Speeds	Model #	Year	FWD/RWD	Case	Casting #	Engine	Notes	Kit	w/ Synchronizer Rings
400									
4	NP460	82	FWD	Alum.			1-4 Snchro Rings Same Size	TRK-465	TRK-465WS2
5	NP465	83	FWD	Alum.				TRK-465	TRK-465WS1
600									
5	NP465	83	FWD	Alum.				TRK-465	TRK-465WS1
5	NP525	84	FWD	Alum.			1-2 Synchro Rings Larger than 3-4 Synchro Rings	TRK-465	TRK-465WS
Avenger									
5	F5MC1/NVT350 /A578	95-00	FWD	Alum.				TRK-350	TRK-350WS
Acclaim									
5	NP520	89	FWD	Alum.			RNU070618-6 Front O/S Brg.	TRK-520	TRK-520WS
5	NP520	89	FWD	Alum.			RNU070618-6 Front O/S Brg. (3 Pc. 2nd Synchro Ring)	TRK-520	TRK-520WS1
5	NP523	90-94	FWD	Alum.			07NU0720/23B Front O/S Brg.	TRK-568	TRK-568WS
5	NP568	91-93	FWD	Alum.			07NU0720/23B Front O/S Brg.	TRK-568	TRK-568WS
Aries									
4	NP460	81-83	FWD	Alum.			1-4 Snchro Rings Same Size	TRK-465	TRK-465WS2
4	NP460	84-85	FWD	Alum.			1-2 Synchro Rings Larger than 3-4 Synchro Rings	TRK-465	TRK-465WS3
5	NP465	83	FWD	Alum.				TRK-465	TRK-465WS1
5	NP520	87-89	FWD	Alum.			RNU070618-6 Front O/S Brg.	TRK-520	TRK-520WS
5	NP520	87-89	FWD	Alum.			RNU070618-6 Front O/S Brg. (3 Pc. 2nd Synchro Ring)	TRK-520	TRK-520WS1
5	NP525	84-86	FWD	Alum.			1-2 Synchro Rings Larger than 3-4 Synchro Rings	TRK-465	TRK-465WS
Breeze									
5	F5MC1/NVT350 /A578	96-00	FWD	Alum.				TRK-350	TRK-350WS
Challenger									
5	KM131	79-83	RWD			2.0L	Stamped Steel Bottom Pan (6207-N M/S Front Brg.)	TRK-FM140	TRK-FM140WS
5	KM131	79-83	RWD			2.6L	Stamped Steel Bottom Pan (35BVV072 M/S Front Brg.)	TRK-FM110	TRK-FM110WS
Charger									
4	NP460	83	FWD	Alum.			1-4 Snchro Rings Same Size	TRK-465	TRK-465WS2
4	NP460	84-86	FWD	Alum.			1-2 Synchro Rings Larger than 3-4 Synchro Rings	TRK-465	TRK-465WS3
5	NP465	83	FWD	Alum.			1-5 Snchro Rings Same Size	TRK-465	TRK-465WS1
5	NP525	84-87	FWD	Alum.			1-2 Synchro Rings Larger than 3-4 Synchro Rings	TRK-465	TRK-465WS
Cirrus									
5	F5MC1/NVT350 /A578	00	FWD	Alum.				TRK-350	TRK-350WS
Colt									
4	KM160	82-84	FWD	Alum.		1.4L	Ball Diff Brgs. & Taper Int. Shaft Brgs.	TRK-FC110	TRK-FC110WS1
4	KM161	85-86	FWD	Alum.		1.5L	Ball Diff Brgs. & Taper Int. Shaft Brgs.	TRK-FM390	TRK-FM390WS
4	KM200	87-89	FWD	Alum.		1.5L	Ball Diff Brgs. & Ball Int. Shaft Brgs.	TRK-FM340	TRK-FM340WS
4	F4M21	90-92	FWD	Alum.		1.6L	Ball Diff Brgs.	TRK-FM100	TRK-FM100WS1
5	KM162	85-86	FWD	Alum.		1.5L	Ball Diff Brgs.	TRK-FC110	TRK-FC110WS
5	KM163	85-86	FWD	Alum.		1.6L	Taper Diff Brgs.	TRK-FM170	TRK-FM170WS

Light Duty Transmission Rebuild Kit Applications



Chrysler (Dodge, Plymouth) CONTINUED

Speeds	Model #	Year	FWD/RWD	Case	Casting #	Engine	Notes	Kit	w/ Synchronizer Rings
--------	---------	------	---------	------	-----------	--------	-------	-----	-----------------------

Colt CONTINUED

5	KM201	87-89	FWD	Alum.		1.5L	Taper Diff Brgs. (Small 30T 3-4 Synchro Rings)	TRK-FM100	TRK-FM100WS
5	KM206	87-89	FWD	Alum.		1.6L	Taper Diff Brgs. & Taper Int. Shaft Brgs.	TRK-FM150	TRK-FM150WS
5	KM210	89	FWD	Alum.		1.6L Turbo	Taper Diff Brgs. (7 Bolt Back Cover)	TRK-FM210	TRK-FM210WS
5	F5M21	90-91	FWD	Alum.		1.5L	Ball Diff Brgs. (3-4 Synchro Rings 30 Teeth)	TRK-FM100	TRK-FM100WS
5	F5M21	92-94	FWD	Alum.		1.5L	Ball Diff Brgs. (3-4 Synchro Rings 36 Teeth)	TRK-FM100	TRK-FM100WS2
5	F5M22	90	FWD	Alum.		1.6L	Taper Diff Brgs.	TRK-FM150	TRK-FM150WS
5	F5M22	93-94	FWD	Alum.		1.8L	Taper Diff Brgs.	TRK-FM150	TRK-FM150WS
8	KM165	82-84	FWD	Alum.		1.4L	Ball Diff Brgs.	TRK-FC110	TRK-FC110WS
8	KM166	83-84	FWD	Alum.		1.6L	Taper Diff Brgs.	TRK-FM170	TRK-FM170WS

Colt Vista

5	KM163	84-11/86	FWD	Alum.		2.0L		TRK-FM170	TRK-FM170WS
5	KM201	88-89	FWD	Alum.		1.5L	Taper Diff Brgs. (Small 30T 3-4 Synchro Rings)	TRK-FM100	TRK-FM100WS
5	KM206	11/86-89	FWD	Alum.		2.0L	Taper Diff Brgs. & Taper Int. Shaft Brgs.	TRK-FM150	TRK-FM150WS
5	F5M21	90	FWD	Alum.		1.5L	Ball Diff Brgs. (3-4 Synchro Rings 30 Teeth)	TRK-FM100	TRK-FM100WS
5	F5M22	90-94	FWD	Alum.		1.8L, 2.0L	Taper Diff Brgs.	TRK-FM150	TRK-FM150WS
5	F5M31	92-94	FWD	Alum.		2.4L		TRK-FM210	TRK-FM210WS
8	KM166	84	FWD	Alum.		2.0L	Taper Diff Brgs.	TRK-FM170	TRK-FM170WS
5	KM182	85-10/87	4x4	Alum.		2.0L	Transfer Case Components Not Included	TRK-FC100	TRK-FC100WS
5	KM182	10/87-91	4x4	Alum.		2.0L	Transfer Case Components Not Included	TRK-FC100	TRK-FC100WS1
5	KM221	89	4x4	Alum.		1.8L	7 Bolt Back Cover, Transfer Case Components Not Included	TRK-FM240	TRK-FM240WS
5	W5M31	90-93	4x4	Alum.		1.8L	Transfer Case Components Not Included	TRK-FM240	TRK-FM240WS
5	W5M33	92-94	4x4	Alum.		2.4L	Transfer Case Components Not Included	TRK-FM290	TRK-FM290WS
	KM271	85-89					Transfer Case Section Only	TRK-FM330	
	KM272	89-94					Transfer Case Section Only	TRK-FM350	

Conquest

5	KM132-M	84-86	RWD	Alum.		2.6L Turbo	Without Intercooler	TRK-FM300	TRK-FM300WS
5	KM132-N	85-86 87-89	RWD	Alum.			With Intercooler, Steel Bottom Pan (TMSC07887 I/S Brg.)	TRK-FM310	TRK-FM310WS

Crossfire

6	NSG370	04-07	RWD			3.2L			
---	--------	-------	-----	--	--	------	--	--	--

Dakota

5	AX15	92-99	2WD & 4x4	Alum.		4 Cyl. & V6	3 Pc. Case & 7 Bolt Front Retainer	TRK-FT420	TRK-FT420WS
5	NV1500	99-02	2WD	Alum.		2.5L	2 Pc. Case (30mm ID Input Shaft Brg.)	TRK-1500D	TRK-1500DWS
5	NV2500/535	87-92	2WD & 4x4	Alum.		4 Cyl. & V6	2 Pc. Case (35mm ID Input Shaft Brg.)	TRK-535	TRK-535WS
5	NV2500/535	88-93	2WD & 4x4	Alum.		V8	2 Pc. Case (35mm ID Input Shaft Brg.)	TRK-535	TRK-535WS
5	NV3500	94-96	2WD & 4X4	Alum.		V8	2 Pc. Case & 6 Bolt Front Retainer	TRK-235C	TRK-235CWS
5	NV3500	97-02	2WD & 4X4	Alum.		V8	2 Pc. Case & 6 Bolt Front Retainer	TRK-235C	TRK-235CWS1
5	NV3500	00-02	2WD & 4x4	Alum.		V6	2 Pc. Case & 6 Bolt Front Retainer	TRK-235C	TRK-235CWS1

Light Duty Transmission Rebuild Kit Applications

Chrysler (Dodge, Plymouth)

CONTINUED

Speeds	Model #	Year	FWD/RWD	Case	Casting #	Engine	Notes	Kit	w/ Synchronizer Rings
Daytona									
5	NP525	84-86	FWD	Alum.			1-2 Synchro Rings Larger than 3-4 Synchro Rings	TRK-465	TRK-465WS
5	NP520	87-89	FWD	Alum.			RNU070618-6 Front O/S Brg.	TRK-520	TRK-520WS
5	NP520	87-89	FWD	Alum.			RNU070618-6 Front O/S Brg. (3 Pc. 2nd Synchro Ring)	TRK-520	TRK-520WS1
5	NP555	87-89	FWD	Alum.			RNU070618-6 Front O/S Brg.	TRK-520	TRK-520WS
5	NP555	87-89	FWD	Alum.			RNU070618-6 Front O/S Brg. (3 Pc. 2nd Synchro Ring)	TRK-520	TRK-520WS1
5	NP523	90-93	FWD	Alum.			07NU0720/23B Front O/S Brg.	TRK-568	TRK-568WS
5	NP543	90-93	FWD	Alum.			07NU0720/23B Front O/S Brg.	TRK-568	TRK-568WS
5	NP568	90-93	FWD	Alum.			07NU0720/23B Front O/S Brg.	TRK-568	TRK-568WS
Horizon									
4	NP460	81-83	FWD	Alum.			1-4 Snchro Rings Same Size	TRK-465	TRK-465WS2
4	NP460	84-86	FWD	Alum.			1-2 Synchro Rings Larger than 3-4 Synchro Rings	TRK-465	TRK-465WS3
5	NP465	83	FWD	Alum.			1-5 Snchro Rings Same Size	TRK-465	TRK-465WS1
5	NP525	84-90	FWD	Alum.			1-2 Synchro Rings Larger than 3-4 Synchro Rings	TRK-465	TRK-465WS
Lancer									
5	NP525	85-86	FWD	Alum.			1-2 Synchro Rings Larger than 3-4 Synchro Rings	TRK-465	TRK-465WS
5	NP520	87-89	FWD	Alum.			RNU070618-6 Front O/S Brg.	TRK-520	TRK-520WS
5	NP520	87-89	FWD	Alum.			RNU070618-6 Front O/S Brg. (3 Pc. 2nd Synchro Ring)	TRK-520	TRK-520WS1
Laser									
5	NP525	84-86	FWD	Alum.			1-2 Synchro Rings Larger than 3-4 Synchro Rings	TRK-465	TRK-465WS
5	F5M22	90-92	FWD	Alum.		1.8L	3-4 Synchro Rings 30 Teeth	TRK-FM150	TRK-FM150WS
5	F5M22	90-92	FWD	Alum.		2.0L	3-4 Synchro Rings 30 Teeth, Synchro Rev.	TRK-FM150	TRK-FM150WS1
5	F5M22	93-94	FWD	Alum.		1.8L, 2.0L	3-4 Synchro Rings 36 Teeth, Synchro Rev.	TRK-FM150	TRK-FM150WS2
5	F5M33	90-94	FWD	Alum.		2.0L Turbo	Taper Diff Brgs. (Fiber Lined 1-2 Rings, Synchro Rev.)	TRK-FM180	TRK-FM180WS
5	W5M33	90-94	4x4	Alum.		2.0L Turbo	Ball Diff Brgs. (Fiber Lined 1-2 Rings, Synchro Rev.)	TRK-FM160	TRK-FM160WS
	KM272	90-94		Alum.			Transfer Case Section Only	TRK-FM350	
LeBaron									
4	NP460	82-83	FWD	Alum.			1-4 Snchro Rings Same Size	TRK-465	TRK-465WS2
5	NP520	87-89	FWD	Alum.			RNU070618-6 Front O/S Brg.	TRK-520	TRK-520WS
5	NP520	87-89	FWD	Alum.			RNU070618-6 Front O/S Brg. (3 Pc. 2nd Synchro Ring)	TRK-520	TRK-520WS1
5	NP525	84-86	FWD	Alum.			1-2 Synchro Rings Larger than 3-4 Synchro Rings	TRK-465	TRK-465WS
5	NP543	90-93	FWD	Alum.			07NU0720/23B Front O/S Brg.	TRK-568	TRK-568WS
5	NP568	90-93	FWD	Alum.			07NU0720/23B Front O/S Brg.	TRK-568	TRK-568WS

Light Duty Transmission Rebuild Kit Applications

Chrysler (Dodge, Plymouth) CONTINUED

Speeds	Model #	Year	FWD/RWD	Case	Casting #	Engine	Notes	Kit	w/ Synchronizer Rings
Neon									
5	F5MC1/ NVT350/A578	95-00	FWD	Alum.			Except Assy #4668604AD	TRK-350	TRK-350WS
5	F5MC1/ NVT350/A578	00-04	FWD	Alum.			Including Assy #4668604AD	TRK-350A	TRK-350AWS
5	T850	03-On	FWD	Alum.			SRT-4	TRK-850	TRK-850WS
Omni									
4	NP460	81-83	FWD	Alum.			1-4 Snchro Rings Same Size	TRK-465	TRK-465WS2
4	NP460	84-86	FWD	Alum.			1-2 Synchro Rings Larger than 3-4 Synchro Rings	TRK-465	TRK-465WS3
5	NP465	83	FWD	Alum.			1-5 Snchro Rings Same Size	TRK-465	TRK-465WS1
5	NP525	84-90	FWD	Alum.			1-2 Synchro Rings Larger than 3-4 Synchro Rings	TRK-465	TRK-465WS
Ram Charger									
4	435	80-87	2WD & 4X4	Iron			Alum. Shift Cover (Tapered I/S Brg.)	TRK-127B	TRK-127BWS
4	435	88-91	2WD & 4X4	Iron			Alum. Shift Cover (Ball I/S Brg.)	TRK-127G	TRK-127GWS
5	NV4500	92	2WD & 4X4	Iron	C-18157 or C-23167		Alum. Shift Cover (Tapered I/S Brg.)	TRK-4500D	TRK-4500DWS
Rampage									
4	NP460	82-83	FWD	Alum.				TRK-465	TRK-465WS2
Reliant									
4	NP460	81-83	FWD	Alum.			1-4 Snchro Rings Same Size	TRK-465	TRK-465WS2
4	NP460	84-85	FWD	Alum.			1-2 Synchro Rings Larger than 3-4 Synchro Rings	TRK-465	TRK-465WS3
5	NP465	83	FWD	Alum.			1-5 Snchro Rings Same Size	TRK-465	TRK-465WS1
5	NP520	87-89	FWD	Alum.			RNU070618-6 Front O/S Brg.	TRK-520	TRK-520WS
5	NP520	87-89	FWD	Alum.			RNU070618-6 Front O/S Brg. (3 Pc. 2nd Synchro Ring)	TRK-520	TRK-520WS1
5	NP525	84-86	FWD	Alum.			1-2 Synchro Rings Larger than 3-4 Synchro Rings	TRK-465	TRK-465WS
Sapporo									
5	KM131	79-83	RWD			2.0L	Stamped Steel Bottom Pan (6207-N M/S Front Brg.)	TRK-FM140	TRK-FM140WS
5	KM131	79-83	RWD			2.6L	Stamped Steel Bottom Pan (35BVV072 M/S Front Brg.)	TRK-FM110	TRK-FM110WS
Scamp									
4	NP460	82-83	FWD	Alum.				TRK-465	TRK-465WS2
Sebring									
5	F5MC1/ NVT350/A578	95-00						TRK-350	TRK-350WS
5	F5M42	03-04					In Line 4 Cyl.	TRK-FM450	TRK-FM450WS
5	F5M51	01-04					V-6	TRK-FM440	TRK-FM440WS
Shadow									
5	NP520	87-89	FWD	Alum.			RNU070618-6 Front O/S Brg.	TRK-520	TRK-520WS
5	NP520	87-89	FWD	Alum.			RNU070618-6 Front O/S Brg. (3 Pc. 2nd Synchro Ring)	TRK-520	TRK-520WS1
5	NP525	87	FWD	Alum.			1-2 Synchro Rings Larger than 3-4 Synchro Rings	TRK-465	TRK-465WS
5	NP523	90-94	FWD	Alum.			07NU0720/23B Front O/S Brg.	TRK-568	TRK-568WS
5	NP568	90-91	FWD	Alum.			07NU0720/23B Front O/S Brg.	TRK-568	TRK-568WS
5	NP543	92-94	FWD	Alum.			07NU0720/23B Front O/S Brg.	TRK-568	TRK-568WS

Light Duty Transmission Rebuild Kit Applications

Chrysler (Dodge, Plymouth)

CONTINUED

Speeds	Model #	Year	FWD/RWD	Case	Casting #	Engine	Notes	Kit	w/ Synchronizer Rings
Spirit									
5	NP520	89	FWD	Alum.			RNU070618-6 Front O/S Brg.	TRK-520	TRK-520WS
5	NP520	89	FWD	Alum.			RNU070618-6 Front O/S Brg. (3 Pc. 2nd Synchro Ring)	TRK-520	TRK-520WS1
5	NP523	90-94	FWD	Alum.			07NU0720/23B Front O/S Brg.	TRK-568	TRK-568WS
5	NP568	91-93	FWD	Alum.			07NU0720/23B Front O/S Brg.	TRK-568	TRK-568WS
Stealth									
5	F5M33	4/90-11/90	FWD	Alum.		3.0L	Fiber Lined 1-2 Rings	TRK-FM180	TRK-FM180WS
5	F5M33	12/90-4/91	FWD	Alum.		3.0L	Brass 1-2 Rings	TRK-FM180	TRK-FM180WS1
5	F5M33	5/91-5/92	FWD	Alum.		3.0L	3 Piece 2nd Ring	TRK-FM180	TRK-FM180WS2
5	F5M33	6/92-4/93	FWD	Alum.		3.0L	3 Piece 2nd Ring	TRK-FM180	TRK-FM180WS3
5	F5M33	5/93-96	FWD	Alum.		3.0L	3 Piece 2nd Ring	TRK-FM180	TRK-FM180WS4
5	W5MG1	91-93	4x4	Alum.		3.0L Turbo		TRK-FM250	TRK-FM250WS
6	W6MG1	94-96	4x4	Alum.		3.0L Turbo		TRK-FM530	TRK-FM530WS
	W5MG1	91-92		Alum.			Transfer Case Section Only Early 18 Spline O/S	TRK-FM280	
	W5MG1	92-93		Alum.			Transfer Case Section Only Late 18 Spline & All 25 Spline O/S	TRK-FM270	
Stratus									
5	F5MC1/ NVT350/A578	95-00	FWD	Alum.				TRK-350	TRK-350WS
5	F5M42	01-04	FWD	Alum.		In Line 4 Cyl.		TRK-FM450	TRK-FM450WS
5	F5M51	01-04	FWD	Alum.		V-6		TRK-FM440	TRK-FM440WS
5	T850	02-On	FWD	Alum.		V-6		TRK-850	TRK-850WS
Sundance									
5	NP520	87-89	FWD	Alum.			RNU070618-6 Front O/S Brg.	TRK-520	TRK-520WS
5	NP520	87-89	FWD	Alum.			RNU070618-6 Front O/S Brg. (3 Pc. 2nd Synchro Ring)	TRK-520	TRK-520WS1
5	NP525	87	FWD	Alum.			1-2 Synchro Rings Larger than 3-4 Synchro Rings	TRK-465	TRK-465WS
5	NP523	90-94	FWD	Alum.			07NU0720/23B Front O/S Brg.	TRK-568	TRK-568WS
5	NP568	90-91	FWD	Alum.			07NU0720/23B Front O/S Brg.	TRK-568	TRK-568WS
5	NP543	92-94	FWD	Alum.			07NU0720/23B Front O/S Brg.	TRK-568	TRK-568WS
Turismo									
4	NP460	83	FWD	Alum.			1-4 Snchro Rings Same Size	TRK-465	TRK-465WS2
4	NP460	84-86	FWD	Alum.			1-2 Synchro Rings Larger than 3-4 Synchro Rings	TRK-465	TRK-465WS3
5	NP465	83	FWD	Alum.			1-5 Snchro Rings Same Size	TRK-465	TRK-465WS1
5	NP525	84-87	FWD	Alum.			1-2 Synchro Rings Larger than 3-4 Synchro Rings	TRK-465	TRK-465WS
Truck (Full Size 1/2, 3/4 & 1 Ton)									
3	NP230	70-80	2WD & 4X4	Iron			9 Bolt Side Cover	TRK-NP100A	TRK-NP100AWS
3	NP250	70-75	2WD & 4X4	Iron			6 Bolt Top Cover & 4 Bolt Front Retainer (with 17mm wide O/S Brg.)	TRK-NP110	TRK-NP110WS
3	NP250	70-75	2WD & 4X4	Iron			6 Bolt Top Cover & 4 Bolt Front Retainer (with 14mm wide O/S Brg.)	TRK-NP110A	TRK-NP110AWS
3	NP745	61-71	2WD & 4X4	Iron			6 Bolt Top Cover with Hump	TRK-NP130	TRK-NP130WS
3	390	74-82	2WD & 4X4	Iron			Tremec	TRK-150A	TRK-150AWS
4	NP420	56-68	2WD & 4X4	Iron				TRK-NP120	
4	NP435	62-65	2WD & 4X4	Iron			Alum. Shift Cover (Ball I/S Brg.)	TRK-127G	TRK-127GWS
4	NP435	65-86	2WD & 4X4	Iron			Alum. Shift Cover (Tapered I/S Brg.)	TRK-127B	TRK-127BWS

Light Duty Transmission Rebuild Kit Applications



Chrysler (Dodge, Plymouth) CONTINUED

Speeds	Model #	Year	FWD/RWD	Case	Casting #	Engine	Notes	Kit	w/ Synchronizer Rings
Truck (Full Size 1/2, 3/4 & 1 Ton) CONTINUED									
4	NP435	86-91	2WD & 4X4	Iron			Alum. Shift Cover (Ball I/S Brg.)	TRK-127G	TRK-127GWS
4	NP445	70-80	2WD & 4X4	Alum.				TRK-NP140	
4	NP833	76-90	2WD & 4X4	Iron or Alum.			10 Bolt Side Cover	TRK-833	TRK-833WS
5	G360	88-93	2WD & 4X4	Iron	Getrag	Diesel	w/ Cummins Diesel	TRK-261	TRK-261WS
5	G360	88-93	2WD & 4X4	Iron	Getrag	Diesel	w/ Cummins Diesel, Kit Includes M/S Needles	TRK-261N	TRK-261NWS
5	NP540	60-77	2WD & 4X4	Iron	C-92581		4 Bolt Front Retainer	TRK-27	
5	NP541	60-71	2WD & 4X4	Iron	C-92811 or C92651		6 Bolt Front Retainer	TRK-29	
5	NP542	69-82	2WD & 4X4	Iron	C-99002		6 Bolt Front Retainer (Alum. Top)	TRK-29	
5	NV3500	94-96	2WD & 4X4	Alum.			1 pc. Case & Bellhousing (Synchronized Rev.)	TRK-235C	TRK-235CWS
5	NV3500	97-02	2WD & 4X4	Alum.			1 pc. Case & Bellhousing (Synchronized Rev., 3 Piece 2nd Synchro)	TRK-235C	TRK-235CWS1
5	NV4500 / MT8	92-0n	2WD & 4X4	Iron	C-18157 or C-23167	Gas or Diesel		TRK-4500D	TRK-4500DWS
5	NV4500 / MT8	92-96	2WD & 4X4	Iron	C-18157 or C-23167	Gas or Diesel	Kit Includes M/S Needles	TRK-4500DN	TRK-4500DNWS
5	NV4500 / MT8	97-0n	2WD & 4X4	Iron	C-18157 or C-23167	Gas or Diesel	Kit Includes M/S Needles	TRK-4500DN1	TRK-4500DN1WS
5	NV4500 / MT8	92-96	2WD & 4X4	Iron	C-18157 or C-23167	Gas or Diesel	Kit Includes M/S Needles & Small Parts Kit	TRK-4500DNSPK	TRK-4500DNSPKWS
5	NV4500 / MT8	97-0n	2WD & 4X4	Iron	C-18157 or C-23167	Gas or Diesel	Kit Includes M/S Needles & Small Parts Kit	TRK-4500DN1SPK	TRK-4500DN1SPKWS
5	NV4500 / MT8	92-0n	2WD & 4X4	Iron	C-18157 or C-23167	Gas or Diesel	Kit Includes Small Parts Kit	TRK-4500DSPK	TRK-4500DSPKWS
6	NV5600	98-00	2WD & 4X4	Alum.		Diesel		TRK-5600	Obsolete
6	NV5600	01-0n	2WD & 4X4	Alum.		Diesel		TRK-5600	TRK-5600WS

Van (1/2 & 3/4 Ton)

4	NP833	76-87	2WD	Iron or Alum.				TRK-833	TRK-833WS
4	NP833	88-89	2WD	Iron or Alum.		V8		TRK-833	TRK-833WS
5	NV2500 / 535	88-91	2WD	Alum.		V6	2 Pc. Case (35mm ID Input Shaft Brg.)	TRK-535	TRK-535WS
5	AX15	92-93	2WD	Alum.		V6	3 Pc. Case & 7 Bolt Front Retainer	TRK-FT420	TRK-FT420WS

Viper

6	T56	92-0n	RWD	Alum.	1386		Borg Warner	TRK-56	TRK-56WS
---	-----	-------	-----	-------	------	--	-------------	--------	----------

Ford (Lincoln & Mercury)

Speeds	Model #	Year	FWD/RWD	Case	Casting #	Engine	Notes	Kit	w/ Synchronizer Rings
All Car Models (82 & Earlier)									
3	259	48-64	RWD	Iron			9 Bolt Rectangular Side Cover	TRK-259	
3 w/ O/D	259	48-64	RWD	Iron			9 Bolt Rectangular Side Cover	TRK-259A	
3	HED	64-67	RWD	Iron			4 Bolt Top Cover	TRK-F130	TRK-F130WS
3	T86	64-70	RWD	Iron	T86			TRK-BW86	
3	Tremec RAB, RAC, RAN, RAT, HEF	65-82	RWD	Iron			9 Bolt Top Cover (1st Ring Larger than 2nd & 3rd)	TRK-150F	TRK-150FWS
3	Tremec RAB, RAC, RAN, RAT, HEF	65-82	RWD	Iron			9 Bolt Top Cover (All Rings Same Size)	TRK-150F	TRK-150FWS1
4	German	83-86	RWD				6008 O/S Brg.	Obsolete	
4	MTX4	80-82	FWD	Alum.			Codes RGT	TRK-FMZ160	TRK-FMZ160WS

Light Duty Transmission Rebuild Kit Applications

Ford (Lincoln & Mercury) CONTINUED

Speeds	Model #	Year	FWD/RWD	Case	Casting #	Engine	Notes	Kit	w/ Synchronizer Rings
All Car Models (82 & Earlier) CONTINUED									
4	DAG	63-68	RWD	Iron	212E7006G		10 Bolt Side Cover (Includes Small Parts Kit)	TRK-F140	TRK-F140WS
4	DAG	63-68	RWD	Iron	212E7006G		10 Bolt Side Cover (Does Not Include M/S & C/S Needles)	TRK-F140A	TRK-F140AWS
4	ENG	71-76	RWD	Iron			4 Bolt Alum. Top Cover	TRK-F150	
4	RUG/HEH	64-73	RWD	Iron			"Top Loader" 10 Bolt Top Cover	TRK-170A	TRK-170AWS
4	RUG/HEH	64-73	RWD	Iron			"Top Loader" 10 Bolt Top Cover (w/ Max-Type Brgs.)	TRK-170AHD	TRK-170AHDWS
4 w/ O/D	RUG	78-81	RWD	Iron			"Top Loader" 10 Bolt Top Cover	TRK-170	TRK-170WS
4 w/ O/D	SROD	81-82	RWD	Alum.			"Top Loader" 10 Bolt Top Cover	TRK-170	TRK-170WS1
4	T10	57-65	RWD	Iron			7/8" Countershaft w/ Thrust Brg. Between 2nd & 3rd Gears	TRK-10E	TRK-10EWS
4	T10	66-69	RWD	Iron			7/8" Countershaft w/o Thrust Brg. Between 2nd & 3rd Gears	TRK-10W	TRK-10WWS
5	T5	83-84	RWD	Alum.	1352	4, 6, 8 Cyl.	LM48548/10 I/S Brg. & Clindrical C/S Brgs.	TRK-5	TRK-5WS
5	T5 World Class	85-On	RWD	Alum.	1352	4, 6, 8 Cyl.	LM48548/10 I/S Brg. & Taper C/S Brgs.	TRK-5W	TRK-5WWS
5	T5 World Class	86-On	RWD	Alum.	1352	4 Cyl EFI or Turbo	M88048/10 I/S Brg.	TRK-5WA	TRK-5WAWS
5	T5 World Class	93-On	RWD	Alum.	1352	8 Cyl.	LM48548/10 I/S Brg.	TRK-5WC	TRK-5WCWS
5	3550	All	RWD	Alum.			Tremec Replacement for T-5 World Class	TRK-3550	TRK-3550WS

Aerostar

5	M5R1	88-1/90	RWD	Alum.			36 Tooth 5th Gear Synchro	TRK-247	TRK-247WS
5	M5R1	1/90-95	RWD	Alum.			Updated 30 Tooth 5th Gear Synchro	TRK-247	TRK-247WS1
5	TK5L	86-87	RWD	Alum.			14 Bolt Bottom Pan 42 Teeth Synchro Rings (Codes E67A, E757A)	TRK-12	TRK-12WS1

Aspire

5	Aspire	94-97	FWD	Alum.				TRK-FF100	Obsolete
---	--------	-------	-----	-------	--	--	--	-----------	----------

Bronco

4	NP435	83-87	2WD & 4x4	Iron			Alum. Top Cover	TRK-127F	TRK-127FWS
4	RUG	83	2WD & 4x4	Iron			"Top Loader" 10 Bolt Top Cover Steel Forks	TRK-174F	TRK-174FWS
4	RTS	85-87	4x4	Alum.			"Top Loader" 10 Bolt Top Cover Alum. Forks	TRK-174F	TRK-174FWS1
4	T18	83-86	2WD & 4x4	Iron	T18 or 13-01		20mm Wide I/S Brg.	TRK-BW18	TRK-BW18WS
4	T18	87-91	2WD & 4x4	Iron	T18 or 13-01		23mm Wide I/S Brg.	TRK-BW18A	TRK-BW18AWS
5	M5R2	88-1/90	2WD & 4x4	Alum.			42 Tooth 5th Gear Synchro	TRK-248	TRK-248WS
5	M5R2	1/90-96	2WD & 4x4	Alum.			Updated 33 Tooth 5th Gear Synchro	TRK-248	TRK-248WS1

Bronco II

4	TK4	83-84	2WD & 4x4	Alum.			14 Bolt Bottom Pan	TRK-12C	TRK-12CWS
5	FM145	86-87	2WD & 4x4	Alum.			12 Bolt Bottom Pan	TRK-50	TRK-50WS
5	FM146	88-90	2WD & 4x4	Alum.			12 Bolt Bottom Pan, Synchronized Rev.	TRK-50	TRK-50WS1
5	M5R1	88-1/90	2WD & 4x4	Alum.			36 Tooth 5th Gear Synchro	TRK-247	TRK-247WS
5	M5R1	1/90-90	2WD & 4x4	Alum.			Updated 30 Tooth 5th Gear Synchro	TRK-247	TRK-247WS1
5	TK5	84-85	2WD & 4x4	Alum.			14 Bolt Bottom Pan 30 Teeth Synchro Rings (Codes E37A, E47A, E57A)	TRK-12	TRK-12WS
5	TK5L	86	2WD & 4x4	Alum.			14 Bolt Bottom Pan 42 Teeth Synchro Rings (Codes E67A, E757A)	TRK-12	TRK-12WS1

Light Duty Transmission Rebuild Kit Applications

Ford (Lincoln & Mercury) CONTINUED

Speeds	Model #	Year	FWD/RWD	Case	Casting #	Engine	Notes	Kit	w/ Synchronizer Rings
Capri									
4	German	83-86	RWD				6008 O/S Brg.	Obsolete	
4	RUG	80-83	RWD	Iron			"Top Loader" 10 Bolt Top Cover	TRK-170	TRK-170WS
5	RAP	81-83	RWD	Alum.	RF		10 Bolt Top Cover	TRK-F190	Obsolete
5	T5	83-84	RWD	Alum.	1352		LM48548/10 I/S Brg. & Clindrical C/S Brgs.	TRK-5	TRK-5WS
5	CAP5	91-94	FWD	Alum.		Non-Turbo		TRK-FMZ130	TRK-FMZ130WS
5	CAP5	91-94	FWD	Alum.		Turbo		TRK-FMZ150	TRK-FMZ150WS
Contour									
5	MTX5	95-00	FWD	Alum.			6 Bolt Shift Tower	TRK-FMZ350	Obsolete
Cougar									
5	T5	84	RWD	Alum.	1352	4 Cyl	LM48548/10 I/S Brg. & Clindrical C/S Brgs.	TRK-5	TRK-5WS
5	T5 World Class	85-86	RWD	Alum.	1352	4 Cyl	LM48548/10 I/S Brg. & Taper C/S Brgs.	TRK-5W	TRK-5WWS
5	MTX5	95-On	FWD	Alum.			6 Bolt Shift Tower	TRK-FMZ350	Obsolete
Escort									
4	MTX4	81-84	FWD	Alum.				TRK-FMZ160	TRK-FMZ160WS
4	MTX4	85	FWD	Alum.		1.6L, 1.9L	Trans ID RGT	TRK-FMZ160	TRK-FMZ160WS
4	MTX4	85	FWD	Alum.		1.9L	Trans ID Rjs	TRK-FMZ330	TRK-FMZ330WS
4	MTX4	86-90	FWD	Alum.				TRK-FMZ330	TRK-FMZ330WS
5	MTX5	83-90	FWD	Alum.				TRK-FMZ140	
5	MTX5	91-96	FWD	Alum.		1.8L	Taper I/S Brg.	TRK-FMZ150	TRK-FMZ150WS
5	MTX5	91-11/93	FWD	Alum.		1.9L	I/S Ball Brg. Has 25.4mm I.D.	TRK-FMZ130	TRK-FMZ130WS
5	MTX5	11/93-96	FWD	Alum.		1.9L	I/S Ball Brg. Has 25.0mm I.D.	TRK-FMZ260	TRK-FMZ260WS
5	MTX5	98-00	FWD	Alum.		2.0L		TRK-FMZ150	TRK-FMZ150WS
EXP									
4	MTX4	82-83	FWD	Alum.				TRK-FMZ160	TRK-FMZ160WS
5	MTX5	83-88	FWD	Alum.				TRK-FMZ140	
Explorer									
5	M5R1	91-01	2WD & 4x4	Alum.			Updated 30 Tooth 5th Gear Synchro	TRK-247	TRK-247WS1
5	M5R1	91-01	2WD & 4x4	Alum.			Contains M/S Needle Brgs., Thrust Washers & Locking Nuts	TRK-247N	TRK-247NWS1
5	M5R4	02-03	2WD & 4x4	Alum.				TRK-FMZ360	TRK-FMZ360WS
Explorer Sport / Trac									
5	M5R1	01-03	2WD & 4x4	Alum.			Codes E87A, E97A, F07A, F17A (Updated 5th Rings 30 Teeth)	TRK-247	TRK-247WS1
Festiva									
4	Festiva 4	88-89	FWD	Alum.				TRK-FF100	Obsolete
5	Festiva 5	89-93	FWD	Alum.				TRK-FF100	Obsolete
Focus									
5	MTX5	00-03	FWD	Alum.		SOHC		TRK-FMZ370	TRK-FMZ370WS
5	MTX5	00-03	FWD	Alum.		DOHC	6 Bolt Shift Tower	TRK-FMZ350	Obsolete
Granada									
4 w/ O/D	RUG	78-81	RWD	Iron			"Top Loader" 10 Bolt Top Cover	TRK-170	TRK-170WS
4 w/ O/D	SROD	81-84	RWD	Alum.			"Top Loader" 10 Bolt Top Cover	TRK-170	TRK-170WS1
LN7									
4	MTX4	83	FWD	Alum.				TRK-FMZ160	TRK-FMZ160WS

Light Duty Transmission Rebuild Kit Applications

Ford (Lincoln & Mercury) CONTINUED

Speeds	Model #	Year	FWD/RWD	Case	Casting #	Engine	Notes	Kit	w/ Synchronizer Rings
Lynx									
4	MTX4	83-84	FWD	Alum.				TRK-FMZ160	TRK-FMZ160WS
4	MTX4	85	FWD	Alum.		1.6L, 1.9L	Trans ID RGT	TRK-FMZ160	TRK-FMZ160WS
4	MTX4	85	FWD	Alum.		1.9L	Trans ID Rjs	TRK-FMZ330	TRK-FMZ330WS
4	MTX4	86-87	FWD	Alum.				TRK-FMZ330	TRK-FMZ330WS
5	MTX5	83-87	FWD	Alum.				TRK-FMZ140	
Mustang									
4	German	83-86	RWD				6008 O/S Brg.	Obsolete	
4 w/ O/D	RUG	83	RWD	Iron			"Top Loader" 10 Bolt Top Cover	TRK-170	TRK-170WS
5	RAP	83	RWD	Alum.	RF		10 Bolt Top Cover	TRK-F190	Obsolete
5	T5	83-84	RWD	Alum.	1352	4, 6, 8 Cyl	LM48548/10 I/S Brg. & Clindrical C/S Brgs.	TRK-5	TRK-5WS
5	T5 World Class	85-86	RWD	Alum.	1352	4, 6 Cyl	LM48548/10 I/S Brg. & Taper C/S Brgs.	TRK-5W	TRK-5WWS
5	T5 World Class	85-91	RWD	Alum.	1352	8 Cyl	LM48548/10 I/S Brg. & Taper C/S Brgs.	TRK-5W	TRK-5WWS
5	T5 World Class	87-93	RWD	Alum.	1352	4 Cyl	M88048/10 I/S Brg	TRK-5WA	TRK-5WAWS
5	T5 World Class	92-95	RWD	Alum.	1352	8 Cyl	LM48548/10 I/S Brg, Rev Synchro	TRK-5W	TRK-5WWS1
5	T5 World Class	93-95	RWD	Alum.	1352	8 Cyl, Cobra	LM48548/10 I/S Brg, Rev Synchro, Taper Pilot Brg	TRK-5WC	TRK-5WCWS
5	T5 World Class	94-On	RWD	Alum.	1352	6 Cyl	LM48548/10 I/S Brg, Rev Synchro	TRK-5W	TRK-5WWS1
5	T45	96-02	RWD	Alum.	1381	8 Cyl GT		TRK-BW45	TRK-BW45WS
5	T45	96-00	RWD	Alum.	1381	8 Cyl, Cobra		TRK-BW45	TRK-BW45WS
5	TR-3650	01	RWD	Alum.		8 Cyl, Cobra		TRK-3650	TRK-3650WS
5	TR-3650	02-On	RWD	Alum.		8 Cyl GT, Bullitt, Mach-1		TRK-3650	TRK-3650WS
6	T56	02-On	RWD	Alum.	1386	8 Cyl, Cobra		TRK-56	TRK-56WS
Mystique									
5	MTX5	95-On	FWD	Alum.			6 Bolt Shift Tower	TRK-FMZ350	Obsolete
Pinto									
4 w/ O/D	RUG	78-81	RWD	Iron			"Top Loader" 10 Bolt Top Cover	TRK-170	TRK-170WS
4 w/ O/D	SROD	81-84	RWD	Alum.			"Top Loader" 10 Bolt Top Cover	TRK-170	TRK-170WS1
Probe									
5	PR5	88-92	FWD	Alum.		2.2L, 3.0L	With 32008 Diff Brgs.	TRK-FMZ150	TRK-FMZ150WS
5	PR5	89-92	FWD	Alum.		2.2L Turbo	With 32009 Diff Brgs.	TRK-FMZ170	TRK-FMZ170WS
5	PR5	93-97	FWD	Alum.		2.0L & 2.5L	With 32008 Diff Brgs.	TRK-FMZ150	TRK-FMZ150WS
Ranger									
4	TK4	83-84	2WD & 4x4	Alum.		Gas	14 Bolt Bottom Pan	TRK-12C	TRK-12CWS
4	TK4D	82-87	2WD & 4x4	Alum.		Diesel	14 Bolt Bottom Pan	TRK-12A	TRK-12AWS
5	FM145	86-87	4x4	Alum.			12 Bolt Bottom Pan	TRK-50	TRK-50WS
5	FM146	88-92	4x4	Alum.			12 Bolt Bottom Pan, Synchronized Rev.	TRK-50	TRK-50WS1
5	FM132	85-92	2WD	Alum.			12 Bolt Bottom Pan	TRK-50A	TRK-50AWS
5	M5R1	87-/1/90	2WD & 4x4	Alum.			36 Tooth 5th Gear Synchro	TRK-247	TRK-247WS
5	M5R1	87-/1/90	2WD & 4x4	Alum.			Contains M/S Needle Brgs., Thrust Washers & Locking Nuts	TRK-247N	TRK-247NWS
5	M5R1	1/90-On	2WD & 4x4	Alum.			Updated 30 Tooth 5th Gear Synchro	TRK-247	TRK-247WS1
5	M5R1	1/90-On	2WD & 4x4	Alum.			Contains M/S Needle Brgs., Thrust Washers & Locking Nuts	TRK-247N	TRK-247NWS1
5	M5R1	87-03	2WD & 4x4	Alum.			I/S Brgs, Seal & Baffle Kit	TRK-247F	
5	TK5	83-85	2WD & 4x4	Alum.		Gas	14 Bolt Bottom Pan 30 Teeth Synchro Rings (Codes E37A, E47A, E57A)	TRK-12	TRK-12WS
5	TK5D	83-86	2WD & 4x4	Alum.		Diesel	14 Bolt Bottom Pan	TRK-12B	TRK-12BWS
5	TK5L	86-87	2WD & 4x4	Alum.		Gas	14 Bolt Bottom Pan 42 Teeth Synchro Rings (Codes E67A, E757A)	TRK-12	TRK-12WS1

Light Duty Transmission Rebuild Kit Applications

Ford (Lincoln & Mercury) CONTINUED

Speeds	Model #	Year	FWD/RWD	Case	Casting #	Engine	Notes	Kit	w/ Synchronizer Rings
Taurus									
5	MTX5	86-88	FWD	Alum.				TRK-FMZ140	Obsolete
Taurus SHO									
5	MTX5	89-95	FWD	Alum.		3.0L		TRK-FMZ190	Obsolete
Tempo									
4	MTX4	84-85	FWD	Alum.				TRK-FMZ160	TRK-FMZ160WS
5	MTX5	84-94	FWD	Alum.		2.3L		TRK-FMZ140	Obsolete
5	MTX5	92-94	FWD	Alum.		3.0L		TRK-FMZ190	Obsolete
Thunderbird									
5	T5	83-84	RWD	Alum.	1352	4 Cyl	LM48548/10 I/S Brg. & Cylindrical C/S Brgs.	TRK-5	TRK-5WS
5	T5 World Class	85-88	RWD	Alum.	1352	4 Cyl	LM48548/10 I/S Brg. & Taper C/S Brgs.	TRK-5W	TRK-5WWS
5	RKE	89-95	RWD	Alum.			Mazda M5R2 or M50D	TRK-248B	Obsolete
Topaz									
4	MTX4	84	FWD	Alum.				TRK-FMZ160	TRK-FMZ160WS
5	MTX5	84-94	FWD	Alum.		2.3L	2 Pinion Differential	TRK-FMZ140	Obsolete
5	MTX5	84-94	FWD	Alum.		2.3L	4 Pinion Differential	TRK-FMZ190	Obsolete
5	MTX5	92-94	FWD	Alum.		3.0L		TRK-FMZ340	Obsolete
Tracer									
5	TR5	88-89	FWD	Alum.		1.6L		TRK-FMZ180	TRK-FMZ180WS
5	TR5A	91-96	FWD	Alum.		1.8L		TRK-FMZ150	TRK-FMZ150WS
5	TR5B	91-96	FWD	Alum.		1.9L		TRK-FMZ130	TRK-FMZ130WS
5	TR5C	97-99	FWD	Alum.		2.0L		TRK-FMZ150	TRK-FMZ150WS
Trucks, Vans & SUV's (Prior to 1983)									
3	259	48-64	2WD & 4x4	Iron			9 Bolt Rectangular Side Cover	TRK-259	Obsolete
3 w/ O/D	259A	48-64	2WD & 4x4	Iron			9 Bolt Rectangular Side Cover	TRK-259A	Obsolete
3	T85	56-71	2WD & 4x4	Iron	T85		9 Bolt Side Cover	TRK-BW85	TRK-BW85WS
3 w/ O/D	T85	65-71	2WD & 4x4	Iron	T85		9 Bolt Side Cover	TRK-BW85A	TRK-BW85AWS
3	T86	62-70	2WD & 4x4	Iron	T86		9 Bolt Side Cover	TRK-BW86	TRK-BW86WS
3	T87	66-71	2WD & 4x4	Iron	T87		9 Bolt Side Cover	TRK-BW87	TRK-BW87WS
3	T89	67-71	2WD & 4x4	Iron	T89		9 Bolt Side Cover	TRK-BW85	TRK-BW85WS
3	Tremec RAB, RAC RAN, RAT, HEF	65-82	2WD & 4x4				1st Ring Larger than 2nd & 3rd	TRK-150F	TRK-150FWS
3	Tremec RAB, RAC RAN, RAT, HEF	65-82	2WD & 4x4				All Rings Same Size	TRK-150F	TRK-150FWS1
4	CR1	72-82	2WD & 4x4	Alum.			Courier Case Splits Lengthwise	TRK-F100	TRK-F100WS
4	NP435	64-82	2WD & 4x4	Iron			Alum. Top Cover	TRK-127F	TRK-127FWS
4	RUG	77-82	2WD & 4x4	Iron			"Top Loader" 10 Bolt Top Cover Steel Forks	TRK-174F	TRK-174FWS
4	SROD	81-82	2WD & 4x4	Alum.			"Top Loader" 10 Bolt Top Cover Brass Forks	TRK-174F	TRK-174FWS1
4	T8	40-55	2WD & 4x4	Iron			6 Bolt Top Cover	TRK-F120	Obsolete
4	T9	40-55	2WD & 4x4	Iron			6 Bolt Top Cover	TRK-F120	Obsolete
4	T18	65-82	2WD & 4x4	Iron	T18 or 13-01		20mm Wide I/S Brg.	TRK-BW18	TRK-BW18WS
4	T18	65-82	2WD & 4x4	Iron	T18 or 13-01		23mm Wide I/S Brg.	TRK-BW18A	TRK-BW18AWS
4	T19	68-82	2WD & 4x4	Iron	T19 or 13-09		20mm Wide I/S Brg.	TRK-BW19	TRK-BW19WS
4	T19	68-82	2WD & 4x4	Iron	T19 or 13-09		23mm Wide I/S Brg.	TRK-BW19A	TRK-BW19AWS
4	T19D	80-82	2WD & 4x4	Iron	T19 or 13-09		Tapered I/S Brg.	TRK-BW19B	TRK-BW19BWS
4	T98	48-64	2WD & 4x4	Iron	T98			TRK-BW98	TRK-BW98WS
5	CR2	76-81	2WD & 4x4	Alum.			Courier Alum. Bottom Pan	TRK-F110	TRK-F110WS

Light Duty Transmission Rebuild Kit Applications

Ford (Lincoln & Mercury) CONTINUED

Speeds	Model #	Year	FWD/RWD	Case	Casting #	Engine	Notes	Kit	w/ Synchronizer Rings
Trucks, Vans & SUV's (Prior to 1983) CONTINUED									
5	Clark 250, 251V	60-67	2WD & 4x4	Iron			Case 13-7/8" Long Overall	TRK-23	
5	Clark 260	60-68	2WD & 4x4	Iron			Case 13-7/8" Long Overall (With 21mm Wide Rear M/S Brg.)	TRK-23B	
5	Clark 260	60-68	2WD & 4x4	Iron			Case 13-7/8" Long Overall (With 25mm Wide Rear M/S Brg.)	TRK-23	
5	Clark 260	68-82	2WD & 4x4	Iron			Case 15-1/16" Long Overall (Ball I/S Brg.)	TRK-148	
5	Clark 280HD, 282VHD, 285VHD	79-82	2WD & 4x4	Iron			Case 15-1/16" Long Overall (Taper I/S Brg.)	TRK-190	
5	Clark 300, 305, 307	65-69	2WD & 4x4	Iron			Case 16-1/2" Long Overall	TRK-48	
5	Clark 380, 385, 387	68-75	2WD & 4x4	Iron			Case 17-1/32" Long Overall	TRK-133	
5	Clark 390/CL550	76-82	2WD & 4x4	Iron			Case 15-1/4" Long Overall	TRK-390F	
5	NP540	56-64	2WD & 4x4	Iron	C-94672 or C-95001		4 Bolt Front C/S Retainer	TRK-27	
5	NP541	60-71	2WD & 4x4	Iron	C-95301		6 Bolt Front C/S Retainer	TRK-27	
5	NP542	69-82	2WD & 4x4	Iron	C-99510		6 Bolt Front C/S Retainer	TRK-29B	

Truck 1/2 Ton

3	Tremec RAB, RAC, RAN, RAT, HEF	83-86	2WD & 4x4				1st Ring Larger than 2nd & 3rd	TRK-150F	TRK-150FWS
3	Tremec RAB, RAC, RAN, RAT, HEF	83-86	2WD & 4x4				All Rings Same Size	TRK-150F	TRK-150FWS1
4	NP435	83-87	2WD & 4x4	Iron			Alum. Top Cover	TRK-127F	TRK-127FWS
4	T18	83-93	2WD & 4x4	Iron	T18 or 13-01		20mm Wide I/S Brg.	TRK-BW18	TRK-BW18WS
4	T18	83-93	2WD & 4x4	Iron	T18 or 13-01		23mm Wide I/S Brg.	TRK-BW18A	TRK-BW18AWS
4	RUG	83-87	2WD & 4x4	Iron			"Top Loader" 10 Bolt Top Cover Steel Forks	TRK-174F	TRK-174FWS
4	RTS	83-87	2WD & 4x4	Alum.			"Top Loader" 10 Bolt Top Cover Alum. Forks	TRK-174F	TRK-174FWS1
5	M5R2	87-1/90	2WD & 4x4	Alum.			42 Tooth 5th Gear Synchro	TRK-248	TRK-248WS
5	M5R2	87-1/90	2WD & 4x4	Alum.			Contains M/S Needle Brgs., Thrust Washers & Locking Nuts	TRK-248N	TRK-248NWS
5	M5R2	1/90-98	2WD & 4x4	Alum.			Updated 33 Tooth 5th Gear Synchro	TRK-248	TRK-248WS1
5	M5R2	1/90-98	2WD & 4x4	Alum.			Contains M/S Needle Brgs., Thrust Washers & Locking Nuts	TRK-248N	TRK-248NWS1
5	M5R2	99-On	2WD & 4x4	Alum.			3 Pc 2nd Synchro Ring, Synchro Rev.	TRK-248	TRK-248WS2
5	M5R2	99-On	2WD & 4x4	Alum.			Contains M/S Needle Brgs., Thrust Washers & Locking Nuts	TRK-248N	TRK-248NWS2
5	M5R2	87-On	2WD & 4x4	Alum.			I/S Brgs, Seal & Baffle Kit	TRK-248F	

Truck 3/4 Ton

3	Tremec RAB, RAC, RAN, RAT, HEF	83-86	2WD & 4x4				1st Ring Larger than 2nd & 3rd	TRK-150F	TRK-150FWS
3	Tremec RAB, RAC, RAN, RAT, HEF	83-86	2WD & 4x4				All Rings Same Size	TRK-150F	TRK-150FWS1
4	NP435	83-87	2WD & 4x4	Iron			Alum. Top Cover	TRK-127F	TRK-127FWS
4	T18	83-93	2WD & 4x4	Iron	T18 or 13-01		20mm Wide I/S Brg.	TRK-BW18	TRK-BW18WS
4	T18	83-93	2WD & 4x4	Iron	T18 or 13-01		23mm Wide I/S Brg.	TRK-BW18A	TRK-BW18AWS
4	T19	83-93	2WD & 4x4	Iron	T19 or 13-09		20mm Wide I/S Brg.	TRK-BW19	TRK-BW19WS
4	T19	83-93	2WD & 4x4	Iron	T19 or 13-09		23mm Wide I/S Brg.	TRK-BW19A	TRK-BW19AWS
4	T19D	83-93	2WD & 4x4	Iron	T19 or 13-09		Tapered I/S Brg.	TRK-BW19B	TRK-BW19BWS

Light Duty Transmission Rebuild Kit Applications



Ford (Lincoln & Mercury) CONTINUED

Speeds	Model #	Year	FWD/RWD	Case	Casting #	Engine	Notes	Kit	w/ Synchronizer Rings
Truck 3/4 Ton CONTINUED									
5	M5R2	87-1/90	2WD & 4x4	Alum.			42 Tooth 5th Gear Synchro	TRK-248	TRK-248WS
5	M5R2	87-1/90	2WD & 4x4	Alum.			Contains M/S Needle Brgs.,	TRK-248N	TRK-248NWS
5	M5R2	1/90-98	2WD & 4x4	Alum.			Updated 33 Tooth 5th Gear Synchro	TRK-248	TRK-248WS1
5	M5R2	1/90-98	2WD & 4x4	Alum.			Contains M/S Needle Brgs., Thrust Washers & Locking Nuts	TRK-248N	TRK-248NWS1
5	M5R2	99-On	2WD & 4x4	Alum.			3 Pc 2nd Synchro Ring, Synchro Rev.	TRK-248	TRK-248WS2
5	M5R2	99-On	2WD & 4x4	Alum.			Contains M/S Needle Brgs., Thrust Washers & Locking Nuts	TRK-248N	TRK-248NWS2
5	M5R2	87-On	2WD & 4x4	Alum.			I/S Brgs, Seal & Baffle Kit	TRK-248F	
5	S5-42	88-95	2WD & 4x4	Alum.				TRK-300ZF/1	TRK-300ZF/1WS
5	S5-42	88-95	2WD & 4x4	Alum.			Kit Includes Mainshaft Needles	TRK-300ZF	TRK-300ZFS
5	S5-47	96-97	2WD & 4x4	Alum.				TRK-300ZF/1	TRK-300ZF/1WS1
5	S5-47	96-97	2WD & 4x4	Alum.			Kit Includes Mainshaft Needles	TRK-300ZF	TRK-300ZFS1
5	S5-47M	98-On	2WD & 4x4	Alum.				TRK-300ZF/1	TRK-300ZF/1WS1
5	S5-47M	98-On	2WD & 4x4	Alum.			Kit Includes Mainshaft Needles	TRK-300ZF	TRK-300ZFS1
5	S5-42, S5-47, S5-47M	88-On	2WD & 4x4	Alum.			Brake Drum Section	TRK-300ZFBD	
6	S6-650	99-On	2WD & 4x4	Alum.				TRK-S6-650ZF	TRK-S6-650ZFS
Truck 1 Ton									
3	Tremec RAB, RAC, RAN, RAT, HEF	83-84	2WD & 4x4				1st Ring Larger than 2nd & 3rd	TRK-150F	TRK-150FWS
3	Tremec RAB, RAC, RAN, RAT, HEF	83-84	2WD & 4x4				All Rings Same Size	TRK-150F	TRK-150FWS1
4	NP435	83-87	2WD & 4x4	Iron			Alum. Top Cover	TRK-127F	TRK-127FWS
4	T18	83-93	2WD & 4x4	Iron	T18 or 13-01		20mm Wide I/S Brg.	TRK-BW18	TRK-BW18WS
4	T18	83-93	2WD & 4x4	Iron	T18 or 13-01		23mm Wide I/S Brg.	TRK-BW18A	TRK-BW18AWS
4	T19	83-93	2WD & 4x4	Iron	T19 or 13-09		20mm Wide I/S Brg.	TRK-BW19	TRK-BW19WS
4	T19	83-93	2WD & 4x4	Iron	T19 or 13-09		23mm Wide I/S Brg.	TRK-BW19A	TRK-BW19AWS
4	T19D	83-93	2WD & 4x4	Iron	T19 or 13-09		Tapered I/S Brg.	TRK-BW19B	TRK-BW19BWS
5	S5-42	88-95	2WD & 4x4	Alum.				TRK-300ZF/1	TRK-300ZF/1WS
5	S5-42	88-95	2WD & 4x4	Alum.			Kit Includes Mainshaft Needles	TRK-300ZF	TRK-300ZFS
5	S5-47	96-97	2WD & 4x4	Alum.				TRK-300ZF/1	TRK-300ZF/1WS1
5	S5-47	96-97	2WD & 4x4	Alum.			Kit Includes Mainshaft Needles	TRK-300ZF	TRK-300ZFS1
5	S5-47M	98-On	2WD & 4x4	Alum.				TRK-300ZF/1	TRK-300ZF/1WS1
5	S5-47M	98-On	2WD & 4x4	Alum.			Kit Includes Mainshaft Needles	TRK-300ZF	TRK-300ZFS1
5	S5-42, S5-47, S5-47M	88-On	2WD & 4x4	Alum.			Brake Drum Section	TRK-300ZFBD	
6	S6-650	99-On	2WD & 4x4	Alum.				TRK-S6-650ZF	TRK-S6-650ZFS

Light Duty Transmission Rebuild Kit Applications

GMC (Buick, Cadillac, Chevrolet, Geo, Oldsmobile, Pontiac)

Speeds	Model #	Year	FWD/RWD	Case	Casting #	Engine	Notes	Kit	w/ Synchronizer Rings
All Car Models (82 & Earlier)									
3	Muncie 318	40-54	RWD	Iron			4 Bolt Side Cover	TRK-G100	
3 w/ O/D	Muncie 319	55-68	RWD	Iron			4 Bolt Side Cover	TRK-G110	
3	Saginaw	66-85	RWD	Iron			7 Bolt Side Cover	TRK-301	TRK-301WS1
3 w/ O/D	Saginaw	66-72	RWD	Iron			with R10 Overdrive Unit	TRK-301A	TRK-301AWS
3	Tremec	68-74	RWD	Iron			9 Bolt Top Cover	TRK-150F	TRK-150FWS
4	M20	62-63	RWD	Alum.			7 Bolt Side Cover (6207 I/S Brg.)	TRK-297B	TRK-297BWS
4	M20	63-65	RWD	Alum.			7 Bolt Side Cover (7/8" Countershaft)	TRK-297	TRK-297WS
4	M20	63-65	RWD	Alum.			7 Bolt Side Cover (7/8" Countershaft and Max-Type Brgs.)	TRK-297HD	TRK-297HDWS
4	M21	66-74	RWD	Alum.			7 Bolt Side Cover (1" Countershaft)	TRK-297A	TRK-297AWS
4	M21	66-74	RWD	Alum.			7 Bolt Side Cover (1" Countershaft and Max-Type Brgs.)	TRK-297AHD	TRK-297AHDWS
4	M22	67-71	RWD	Alum.			7 Bolt Side Cover (1" Countershaft)	TRK-297A	TRK-297AWS
4	M22	67-71	RWD	Alum.			7 Bolt Side Cover (1" Countershaft and Max-Type Brgs.)	TRK-297AHD	TRK-297AHDWS
4	MR2	80-82	FWD	Alum.			2 Piece Case	TRK-FG110	Obsolete
4	Saginaw	66-82	RWD	Iron			7 Bolt Side Cover	TRK-301	TRK-301WS
4	T4	82	RWD	Alum.	1351			TRK-5	TRK-5WS1
4	T10	57-66	RWD	Iron			9 Bolt Side Cover (6207 I/S Brg.)	TRK-10A	TRK-10AWS
4	T10	62-66	RWD	Iron			9 Bolt Side Cover (6307 I/S Brg., 7/8" C/S, Thrust Brg. Between 2nd & 3rd Gears)	TRK-10E	TRK-10EWS
4	T10W	66-73	RWD	Alum.			9 Bolt Side Cover (6307 I/S Brg., 7/8" C/S, No Thrust Brg. Between 2nd & 3rd Gears)	TRK-10W	TRK-10WWS
4	T10W	74-82	RWD	Alum.			9 Bolt Side Cover (6307 I/S Brg., 1" C/S)	TRK-10WA	TRK-10AWWS
4	T10W	74-82	RWD	Alum.			9 Bolt Side Cover (6307 I/S Brg., 1" C/S, Max-Type Ball Brgs.)	TRK-10WAHD	TRK-10WAHDWS
5	Richmond	All	RWD	Alum.			Case Splits Lengthwise	TRK-G130	TRK-G130WS
5	T5	81-82	RWD	Alum.	1352		Cylindrical Countershaft Brgs.	TRK-5	TRK-5WS
1000									
4	70mm	76-87	RWD	Alum.				TRK-G120	TRK-G120WS
4	T4	83-84	RWD	Alum.	1351			TRK-5	TRK-5WS1
5	MSG-5K	83-87	RWD	Alum.		Diesel		TRK-FI110	TRK-FI110WS
5	T5	83-87	RWD	Alum.	1352		With DC51932 Front C/S Brg.	TRK-5A	TRK-5AWS
2000									
4	MR2	83-84	FWD	Alum.			2 Piece Case	TRK-FG110	Obsolete
6000									
5	NVT550/HM282	87-91	FWD	Alum.		6 Cyl.	9 Bolt Cover	TRK-550	TRK-550WS
Achieva									
5	76mm Isuzu	92-94	FWD	Alum.			7 Bolt Cover (3 Pc. 1-2 Synchrho Rings)	TRK-FI120	TRK-FI120WS1
5	76mm Isuzu	95-97	FWD	Alum.			7 Bolt Cover (Hydraulic Clutch Release Brg.)	TRK-FI210	TRK-FI210WS2
5	NVT550/HM282	92-94	FWD	Alum.			9 Bolt Cover	TRK-550	TRK-550WS
Alero									
5	Getrag / Opel	00-03	FWD	Alum.				TRK-FG140	TRK-FG140WS
Astro									
5	T5 World Class	85-89		Alum.	1352		Taper Countershaft Brgs.	TRK-5W	TRK-5WWS

Light Duty Transmission Rebuild Kit Applications

GMC (Buick, Cadillac, Chevrolet, Geo, Oldsmobile, Pontiac) CONTINUED

Speeds	Model #	Year	FWD/RWD	Case	Casting #	Engine	Notes	Kit	w/ Synchronizer Rings
Beretta									
5	76mm Isuzu	87	FWD	Alum.		4 Cyl.	7 Bolt Cover	TRK-FI120	TRK-FI120WS
5	76mm Isuzu	88-96	FWD	Alum.		4 Cyl.	7 Bolt Cover (3 Pc. 1-2 Synchro Rings)	TRK-FI120	TRK-FI120WS1
5	NVT550/HM282	87-93	FWD	Alum.		6 Cyl.	9 Bolt Cover	TRK-550	TRK-550WS
Blazer (S10 Size)									
4	S101	82-85	2WD & 4x4	Alum.			Isuzu Design 6208 I/S Brg.	TRK-FI240	TRK-FI240WS
4	T4C	82-84	2WD & 4x4	Alum.	1353		Ball I/S & O/S Brgs.	TRK-4C	TRK-4CWS
4	T4	85-87	2WD & 4x4	Alum.	1352		Taper I/S & O/S Brgs.	TRK-5	TRK-5WS1
5	T5	82-87	2WD & 4x4	Alum.	1352		Cylindrical Countershaft Brgs.	TRK-5	TRK-5WS
5	T5 World Class	88-90	2WD & 4x4	Alum.	1352		Taper Countershaft Brgs.	TRK-5W	TRK-5WWS
5	HM290, MG5	90-91	2WD & 4x4	Alum.			Getrag 2nd Design (3 Pc. I/S & Standard Ball O/S Brgs.)	TRK-235A	TRK-235AWS
5	HM290, MG5, NV3500	91-94	2WD & 4x4	Alum.			Getrag 3rd Design (Standard Ball I/S & O/S Brgs.)	TRK-235B	TRK-235BWS
5	HM290, MG5, NV3500	95	2WD & 4x4	Alum.			Getrag 3rd Design (Standard Ball I/S & O/S Brgs. And 3 Pc. 1-2 Synchro Rings)	TRK-235B	TRK-235BWS1
5	HM290, MG5, NV3500	96-On	2WD & 4x4	Alum.			Getrag 3rd Design (Standard Ball I/S & O/S Brgs. And 3 Pc. 1-2 Synchro Rings)	TRK-235B	TRK-235BWS1
5	M50, NV3500	96-On	2WD & 4x4	Alum.			Getrag 3rd Design (Standard Ball I/S & O/S Brgs. And 3 Pc. 1-2 Synchro Rings) & 1.180 ID C/S Brgs.	TRK-235E	TRK-235EWS
5	HM290, MG5	90-91	2WD & 4x4	Alum.			Getrag 2nd Design (3 Pc. I/S & Standard Ball O/S Brgs.) Includes M/S Needle Brgs.	TRK-235AN	TRK-235ANWS
5	HM290, MG5, NV3500	91-93	2WD & 4x4	Alum.			Getrag 3rd Design (Standard Ball I/S & O/S Brgs.) Includes M/S Needle Brgs.	TRK-235BN	TRK-235BNWS
5	HM290, MG5, NV3500	94	2WD & 4x4	Alum.			Getrag 3rd Design (Standard Ball I/S & O/S Brgs.) Includes M/S Needle Brgs.	TRK-235BN1	TRK-235BN1WS
5	HM290, MG5, NV3500	95-96	2WD & 4x4	Alum.			Getrag 3rd Design (Standard Ball I/S & O/S Brgs.) Includes M/S Needle Brgs.	TRK-235BN2	TRK-235BN2WS
Blazer (Full Size)									
3	Saginaw	83-87	2WD & 4x4	Iron			7 Bolt Side Cover, Case 9-5/8" Long Overall	TRK-301	TRK-301WS1
3 w/ O/D	NP833	83-86	2WD & 4x4	Alum. Or Iron			10 Bolt Side Cover, Case 10-5/8" Long Overall	TRK-833	TRK-833WS
4	SM465	68-90	2WD & 4x4	Iron			Contains M1305GGTV & R1563TAV Front C/S Brg.	TRK-157A	TRK-157AWS
4	SM465	68-90	2WD & 4x4	Iron			Master Kit w/ Small Parts Kit, Keys, & Springs	TRK-157ASPK	TRK-157ASPKWS
4	SM465	79-90	2WD & 4x4	Iron			Contains R1563TAV Front C/S Brg.	TRK-157L	TRK-157LWS
4	SM465	90-91	2WD & 4x4	Iron			211FFLE I/S Brg.	TRK-157B	TRK-157BWS
5	HM290, MG5, NV3500	92-94	2WD & 4x4	Alum.			Getrag 3rd Design (Standard Ball I/S & O/S Brgs.)	TRK-235B	TRK-235BWS
5	HM290, MG5, NV3500	92-93	2WD & 4x4	Alum.			Getrag 3rd Design (Standard Ball I/S & O/S Brgs.) Includes M/S Needle Brgs.	TRK-235BN	TRK-235BNWS
5	HM290, MG5, NV3500	94	2WD & 4x4	Alum.			Getrag 3rd Design (Standard Ball I/S & O/S Brgs.) Includes M/S Needle Brgs.	TRK-235BN1	TRK-235BN1WS

Light Duty Transmission Rebuild Kit Applications

GMC (Buick, Cadillac, Chevrolet, Geo, Oldsmobile, Pontiac) CONTINUED

Speeds	Model #	Year	FWD/RWD	Case	Casting #	Engine	Notes	Kit	w/ Synchronizer Rings
Camaro									
4	Saginaw	83-84	RWD	Iron			7 Bolt Side Cover	TRK-301	TRK-301WS
5	T5	83-87	RWD	Alum.	1352		Cylindrical Countershaft Brgs.	TRK-5	TRK-5WS
5	T5 World Class	88-92	RWD	Alum.	1352		Taper Countershaft Brgs.	TRK-5W	TRK-5WWS
5	T5 World Class	93-02	RWD	Alum.	1352	V6	Taper Countershaft Brgs.	TRK-5W	TRK-5WWS
6	T56	93-02	RWD	Alum.	1386	V8		TRK-56	TRK-56WS
Cavalier									
4	MR2	83-87	FWD	Alum.			2 Piece Case	TRK-FG110	Obsolete
5	76mm Isuzu	83-87	FWD	Alum.		4 Cyl.	7 Bolt Cover	TRK-FI120	TRK-FI120WS
5	76mm Isuzu	88-94	FWD	Alum.		4 Cyl.	7 Bolt Cover (3 Pc. 1-2 Synchrho Rings)	TRK-FI120	TRK-FI120WS1
5	76mm Isuzu	95-99	FWD	Alum.			7 Bolt Cover (Hydraulic Clutch Release Brg.)	TRK-FI210	TRK-FI210WS2
5	NVT550/HM282	84-94	FWD	Alum.		6 Cyl.	9 Bolt Cover	TRK-550	TRK-550WS
5	Getrag / Opel	00-04	FWD	Alum.				TRK-FG140	TRK-FG140WS
Celebrity									
5	NVT550/HM282	87-88	FWD	Alum.		6 Cyl.	9 Bolt Cover	TRK-550	TRK-550WS
Chevette									
4	70mm	76-87	RWD	Alum.				TRK-G120	TRK-G120WS
5	MSG-5K	83-86	RWD	Alum.		Diesel		TRK-FI110	TRK-FI110WS
5	T5	83-87	RWD	Alum.	1352		With DC51932 Front C/S Brg.	TRK-5A	TRK-5AWS
Cimarron									
4	MR2	85-86	FWD	Alum.			2 Piece Case	TRK-FG110	Obsolete
5	76mm Isuzu	83-86	FWD	Alum.			7 Bolt Cover	TRK-FI120	TRK-FI120WS
5	NVT550/HM282	87-88	FWD	Alum.			9 Bolt Cover	TRK-550	TRK-550WS
Citation									
4	MR2	83-85	FWD	Alum.			2 Piece Case	TRK-FG110	Obsolete
Corsica									
5	76mm Isuzu	87	FWD	Alum.		4 Cyl.	7 Bolt Cover	TRK-FI120	TRK-FI120WS
5	76mm Isuzu	88-93	FWD	Alum.		4 Cyl.	7 Bolt Cover (3 Pc. 1-2 Synchrho Rings)	TRK-FI120	TRK-FI120WS1
5	NVT550/HM282	87-92	FWD	Alum.		6 Cyl.	9 Bolt Cover	TRK-550	TRK-550WS
Corvette									
4	Saginaw	83-84	RWD	Iron			7 Bolt Side Cover	TRK-301	TRK-301WS
4	T10	84-87	RWD	Alum.			9 Bolt Side Cover	TRK-10WB	TRK-10WBWS
6	S6-40	89-96	RWD	Alum.	1052		ZF	TRK-S6-40	TRK-S6-40WS
6	T56	97-On	RWD	Alum.	1386		3 Pc. 1-6 Gear Synchrho Rings	TRK-56A	TRK-56AWS
Cutlass Calais									
5	76mm Isuzu	85-87	FWD	Alum.			7 Bolt Cover	TRK-FI120	TRK-FI120WS
5	76mm Isuzu	88-91	FWD	Alum.			7 Bolt Cover (3 Pc. 1-2 Synchrho Rings)	TRK-FI120	TRK-FI120WS1
5	NVT550/HM282	88-91	FWD	Alum.			9 Bolt Cover	TRK-550	TRK-550WS
Cutlass Supreme									
5	NVT550 / HM282	88-90	FWD	Alum.			9 Bolt Cover	TRK-550	TRK-550WS
Fiero									
4	MR2	85-86	FWD	Alum.			2 Piece Case	TRK-FG110	Obsolete
5	76mm Isuzu	84-87	FWD	Alum.			7 Bolt Cover	TRK-FI120	TRK-FI120WS
5	76mm Isuzu	88	FWD	Alum.			7 Bolt Cover (3 Pc. 1-2 Synchrho Rings)	TRK-FI120	TRK-FI120WS1

Light Duty Transmission Rebuild Kit Applications

GMC (Buick, Cadillac, Chevrolet, Geo, Oldsmobile, Pontiac) CONTINUED

Speeds	Model #	Year	FWD/RWD	Case	Casting #	Engine	Notes	Kit	w/ Synchronizer Rings
Firebird									
4	T4	83-84	RWD	Alum.	1351			TRK-5	TRK-5WS1
5	T5	83-87	RWD	Alum.	1352		Cylindrical Countershaft Brgs.	TRK-5	TRK-5WS
5	T5 World Class	88-92	RWD	Alum.	1352	All	Taper Countershaft Brgs.	TRK-5W	TRK-5WWS
5	T5 World Class	93-02	RWD	Alum.	1352	V6	Taper Countershaft Brgs.	TRK-5W	TRK-5WWS
6	T56	93-02	RWD	Alum.	1386	V8		TRK-56	TRK-56WS
Firenza									
4	MR2	83-87	FWD	Alum.			2 Piece Case	TRK-FG110	Obsolete
5	76mm Isuzu	83-87	FWD	Alum.			7 Bolt Cover	TRK-FI120	TRK-FI120WS
5	76mm Isuzu	88	FWD	Alum.			7 Bolt Cover (3 Pc. 1-2 Synchrho Rings)	TRK-FI120	TRK-FI120WS1
5	NVT550/HM282	87	FWD	Alum.		6 Cyl.	9 Bolt Cover	TRK-550	TRK-550WS
Grand Am									
5	76mm Isuzu	83-87	FWD	Alum.		4 Cyl.	7 Bolt Cover	TRK-FI120	TRK-FI120WS
5	76mm Isuzu	88-94	FWD	Alum.		4 Cyl.	7 Bolt Cover (3 Pc. 1-2 Synchrho Rings)	TRK-FI120	TRK-FI120WS1
5	76mm Isuzu	95-99	FWD	Alum.			7 Bolt Cover (Hydraulic Clutch Release Brg.)	TRK-FI210	TRK-FI210WS2
5	NVT550/HM282	84-94	FWD	Alum.		6 Cyl.	9 Bolt Cover	TRK-550	TRK-550WS
5	Getrag / Opel	00-04	FWD	Alum.				TRK-FG140	TRK-FG140WS
Jimmy (S15 Size)									
4	S101	82-84	2WD & 4x4	Alum.			Isuzu Design 6208 I/S Brg.	TRK-FI240	TRK-FI240WS
4	T4C	82-84	2WD & 4x4	Alum.	1353		Ball I/S & O/S Brgs.	TRK-4C	TRK-4CWS
4	T4	85-87	2WD & 4x4	Alum.	1352		Taper I/S & O/S Brgs.	TRK-5	TRK-5WS1
5	T5	82-87	2WD & 4x4	Alum.	1352		Cylindrical Countershaft Brgs.	TRK-5	TRK-5WS
5	T5 World Class	88-91	2WD & 4x4	Alum.	1352		Taper Countershaft Brgs.	TRK-5W	TRK-5WWS
5	HM290, MG5	90-91	2WD & 4x4	Alum.			Getrag 2nd Design (3 Pc. I/S & Standard Ball O/S Brgs.)	TRK-235A	TRK-235AWS
5	HM290, MG5, NV3500	91-94	2WD & 4x4	Alum.			Getrag 3rd Design (Standard Ball I/S & O/S Brgs.)	TRK-235B	TRK-235BWS
5	HM290, MG5, NV3500	95	2WD & 4x4	Alum.			Getrag 3rd Design (Standard Ball I/S & O/S Brgs. And 3 Pc. 1-2 Synchrho Rings)	TRK-235B	TRK-235BWS1
5	HM290, MG5, NV3500	96-01	2WD & 4x4	Alum.			Getrag 3rd Design (Standard Ball I/S & O/S Brgs. And 3 Pc. 1-2 Synchrho Rings)	TRK-235B	TRK-235BWS1
5	M50, NV3500	96-01	2WD & 4x4	Alum.			Getrag 3rd Design (Standard Ball I/S & O/S Brgs. And 3 Pc. 1-2 Synchrho Rings) & 1.180 ID C/S Brgs.	TRK-235E	TRK-235EWS
5	HM290, MG5	90-91	2WD & 4x4	Alum.			Getrag 2nd Design (3 Pc. I/S & Standard Ball O/S Brgs.) Includes M/S Needle Brgs.	TRK-235AN	TRK-235ANWS
5	HM290, MG5, NV3500	91-93	2WD & 4x4	Alum.			Getrag 3rd Design (Standard Ball I/S & O/S Brgs.) Includes M/S Needle Brgs.	TRK-235BN	TRK-235BNWS
5	HM290, MG5, NV3500	94	2WD & 4x4	Alum.			Getrag 3rd Design (Standard Ball I/S & O/S Brgs.) Includes M/S Needle Brgs.	TRK-235BN1	TRK-235BN1WS
5	HM290, MG5, NV3500	95-96	2WD & 4x4	Alum.			Getrag 3rd Design (Standard Ball I/S & O/S Brgs.) Includes M/S Needle Brgs.	TRK-235BN2	TRK-235BN2WS
Jimmy (Full Size)									
3 w/ O/D	NP833	83-89	2WD & 4x4	Alum. Or Iron			10 Bolt Side Cover, Case 10-5/8" Long Overall	TRK-833	TRK-833WS
4	SM465	68-90	2WD & 4x4	Iron			Contains M1305GGTV & R1563TAV Front C/S Brg.	TRK-157A	TRK-157AWS
4	SM465	68-90	2WD & 4x4	Iron			Master Kit w/ Small Parts Kit, Keys, & Springs	TRK-157ASP	TRK-157ASPWS
4	SM465	79-90	2WD & 4x4	Iron			Contains R1563TAV Front C/S Brg.	TRK-157L	TRK-157LWS
4	SM465	90-91	2WD & 4x4	Iron			211FFLE I/S Brg.	TRK-157B	TRK-157BWS

Light Duty Transmission Rebuild Kit Applications

GMC (Buick, Cadillac, Chevrolet, Geo, Oldsmobile, Pontiac) CONTINUED

Speeds	Model #	Year	FWD/RWD	Case	Casting #	Engine	Notes	Kit	w/ Synchronizer Rings
LUV									
4	MSG-4E	71-75	2WD	Alum.			Alum. Top Cover	TRK-FI230	TRK-FI230WS
4	MSG-4ET	76-80	4X4	Alum.			Straight Cut Reverse Gear (Kit Includes Transfer Case Parts)	TRK-FI150	TRK-FI150WS
4	MSG-4ET	81-84	4X4	Alum.			Helical Cut Reverse Gear (Kit Includes Transfer Case Parts)	TRK-FI180	TRK-FI180WS
4	MSG-4K	76-82	2WD	Alum.			Rear Load	TRK-FI140	TRK-FI140WS
5	MSG-5ET	82-85	4X4	Alum.			Kit Includes Transfer Case Parts	TRK-FI100	TRK-FI100WS
5	MSG-5K	81-89	2WD	Alum.				TRK-FI110	TRK-FI110WS
Metro									
5	MV3	89-01	FWD	Alum.			8 Bolt Cover	TRK-FS110	TRK-FS110WS
Nova									
5	C51	85-88	FWD	Alum.			Toyota Transaxle	TRK-FT270	TRK-FT270WS
Omega									
4	MR2	83-84	FWD	Alum.			2 Piece Case	TRK-FG110	Obsolete
Phoenix									
4	MR2	83-84	FWD	Alum.			2 Piece Case	TRK-FG110	Obsolete
Prizm									
5	C51	85-87	FWD	Alum.			9 Bolt Cover	TRK-FT320	TRK-FT320WS
5	C51	88-02	FWD	Alum.		Twin Cam	9 Bolt Cover	TRK-FT320	TRK-FT320WS3
Skyhawk									
4	MR2	83-87	FWD	Alum.			2 Piece Case	TRK-FG110	Obsolete
5	76mm Isuzu	83-87	FWD	Alum.			7 Bolt Cover	TRK-FI120	TRK-FI120WS
5	76mm Isuzu	88-89	FWD	Alum.			7 Bolt Cover (3 Pc. 1-2 Synchronizer Rings)	TRK-FI120	TRK-FI120WS1
Skylark									
4	MR2	83-85	FWD	Alum.			2 Piece Case	TRK-FG110	Obsolete
5	76mm Isuzu	86-87	FWD	Alum.			7 Bolt Cover	TRK-FI120	TRK-FI120WS
Somerset									
5	76mm Isuzu	86-87	FWD	Alum.			7 Bolt Cover	TRK-FI120	TRK-FI120WS
Spectrum									
5	76mm Isuzu	85-87	FWD	Alum.		4 Cyl.	7 Bolt Cover	TRK-FI120	TRK-FI120WS
5	76mm Isuzu	88	FWD	Alum.		4 Cyl.	7 Bolt Cover (3 Pc. 1-2 Synchronizer Rings)	TRK-FI120	TRK-FI120WS1
Sprint									
5	MV2	85-88	FWD	Alum.			7 Bolt Cover	TRK-FG100	
Storm									
5	MV4	90-93	FWD	Alum.			Alum. Cover over 5th Gears (3 PC. 1-2 Synchronizer Rings)	TRK-FI120	TRK-FI120WS1
Suburban									
4	SM465	68-90	2WD & 4x4	Iron			Contains M1305GGTV & R1563TAV Front C/S Brg.	TRK-157A	TRK-157AWS
4	SM465	68-90	2WD & 4x4	Iron			Master Kit w/ Small Parts Kit, Keys, & Springs	TRK-157ASPK	TRK-157ASPKWS
4	SM465	83-90	2WD & 4x4	Iron			N1211-L I/S Brg.	TRK-157L	TRK-157LWS
4	SM465	90-91	2WD & 4x4	Iron			211FFLE I/S Brg.	TRK-157B	TRK-157BWS
Sunbird									
4	MR2	80-84	FWD	Alum.			2 Piece Case	TRK-FG110	Obsolete
5	76mm Isuzu	85-87	FWD	Alum.		4 Cyl.	7 Bolt Cover	TRK-FI120	TRK-FI120WS
5	76mm Isuzu	88-94	FWD	Alum.		4 Cyl.	7 Bolt Cover (3 Pc. 1-2 Synchronizer Rings)	TRK-FI120	TRK-FI120WS1
5	NVT550/HM282	87-94	FWD	Alum.		6 Cyl.	9 Bolt Cover	TRK-550	TRK-550WS

Light Duty Transmission Rebuild Kit Applications

GMC (Buick, Cadillac, Chevrolet, Geo, Oldsmobile, Pontiac) CONTINUED

Speeds	Model #	Year	FWD/RWD	Case	Casting #	Engine	Notes	Kit	w/ Synchronizer Rings
Sunbird									
4	MR2	80-84	FWD	Alum.			2 Piece Case	TRK-FG110	Obsolete
5	76mm Isuzu	85-87	FWD	Alum.		4 Cyl.	7 Bolt Cover	TRK-FI120	TRK-FI120WS
5	76mm Isuzu	88-94	FWD	Alum.		4 Cyl.	7 Bolt Cover (3 Pc. 1-2 Synchrho Rings)	TRK-FI120	TRK-FI120WS1
5	NVT550/HM282	87-94	FWD	Alum.		6 Cyl.	9 Bolt Cover	TRK-550	TRK-550WS
Sunfire									
5	76mm Isuzu	95-99	FWD	Alum.			7 Bolt Cover (Hydraulic Clutch Release Brg.)	TRK-FI210	TRK-FI210WS2
5	Getrag / Opel	00-04	FWD	Alum.				TRK-FG140	TRK-FG140WS
S10, S15, Sonoma Pickup									
4	S101	82-85	2WD & 4x4	Alum.			Isuzu Design 6208 I/S Brg.	TRK-FI240	TRK-FI240WS
4	T4C	82-84	2WD & 4x4	Alum.	1353		Ball I/S & O/S Brgs.	TRK-4C	TRK-4CWS
4	T4	85-87	2WD & 4x4	Alum.	1352		Taper I/S & O/S Brgs.	TRK-5	TRK-5WS1
5	T5	82-87	2WD & 4x4	Alum.	1352		Cylindrical Countershaft Brgs.	TRK-5	TRK-5WS
5	T5 World Class	88-95	2WD & 4x4	Alum.	1352		Taper Countershaft Brgs.	TRK-5W	TRK-5WWS
5	HM290, MG5	90-91	2WD & 4x4	Alum.			Getrag 2nd Design (3 Pc. I/S & Standard Ball O/S Brgs.)	TRK-235A	TRK-235AWS
5	HM290, MG5, NV3500	91-94	2WD & 4x4	Alum.			Getrag 3rd Design (Standard Ball I/S & O/S Brgs.)	TRK-235B	TRK-235BWS
5	HM290, MG5, NV3500	95	2WD & 4x4	Alum.			Getrag 3rd Design (Standard Ball IS & O/S Brgs. And 3 Pc. 1-2 Synchro Rings)	TRK-235B	TRK-235BWS1
5	HM290, MG5, NV3500	96-On	2WD & 4x4	Alum.		4.3L	Getrag 3rd Design (Standard Ball IS & O/S Brgs. And 3 Pc. 1-2 Synchro Rings)	TRK-235B	TRK-235BWS1
5	M50, NV3500	96-On	2WD & 4x4	Alum.		4.3L	Getrag 3rd Design (Standard Ball IS & O/S Brgs. And 3 Pc. 1-2 Synchro Rings) & 1.180 ID C/S Brgs.	TRK-235E	TRK-235EWS
5	NV1500	96-On	2WD & 4x4	Alum.		2.2L	6306 I/S Brg.	TRK-1500GM	TRK-1500GMWS
5	HM290, MG5	90-91	2WD & 4x4	Alum.			Getrag 2nd Design (3 Pc. I/S & Standard Ball O/S Brgs.) Includes M/S Needle Brgs.	TRK-235AN	TRK-235ANWS
5	HM290, MG5, NV3500	91-93	2WD & 4x4	Alum.			Getrag 3rd Design (Standard Ball I/S & O/S Brgs.) Includes M/S Needle Brgs.	TRK-235BN	TRK-235BNWS
5	HM290, MG5, NV3500	94	2WD & 4x4	Alum.			Getrag 3rd Design (Standard Ball I/S & O/S Brgs.) Includes M/S Needle Brgs.	TRK-235BN1	TRK-235BN1WS
5	HM290, MG5, NV3500	95-96	2WD & 4x4	Alum.			Getrag 3rd Design (Standard Ball I/S & O/S Brgs.) Includes M/S Needle Brgs.	TRK-235BN2	TRK-235BN2WS
Tahoe									
5	HM290, MG5, NV3500	95	2WD & 4x4	Alum.				TRK-235B	TRK-235BWS1
5	HM290, MG5, NV3500	95	2WD & 4x4	Alum.			Includes M/S Needle Brgs.	TRK-235BN2	TRK-235BN2WS
Tracker									
5	TRACK	89-98	2WD & 4WD	Alum.			8 Bolt Cover	TRK-FS130	TRK-FS130WS
5	TRACK	99-02	2WD & 4WD	Alum.			8 Bolt Cover	TRK-FS150	TRK-FS150WS
T1000									
4	70mm	76-86	RWD	Alum.				TRK-G120	TRK-G120WS
5	MSG-5K	81-88	RWD	Alum.		Diesel		TRK-FI110	TRK-FI110WS
5	T5	82-85	RWD	Alum.	1352		With DC51932 Front C/S Brg.	TRK-5A	TRK-5AWS

Light Duty Transmission Rebuild Kit Applications

GMC (Buick, Cadillac, Chevrolet, Geo, Oldsmobile, Pontiac) CONTINUED

Speeds	Model #	Year	FWD/RWD	Case	Casting #	Engine	Notes	Kit	w/ Synchronizer Rings
Trucks, Vans & SUV's (Prior to 1983)									
3	318	40-54	2WD & 4x4	Iron			4 Bolt Side Cover (Enclosed Driveline)	TRK-G100	
3	318	55-68	2WD & 4x4	Iron			4 Bolt Side Cover	TRK-G110	
3 w/ O/D	319	40-54	2WD & 4x4	Iron			4 Bolt Side Cover (With R10 Overdrive Unit)	TRK-G100	
3 w/ O/D	319	55-68	2WD & 4x4	Iron			4 Bolt Side Cover (With R10 Overdrive Unit)	TRK-G110	
3 w/ O/D	NP833	80-86	2WD & 4x4	Alum. Or Iron			10 Bolt Side Cover, Case 10-5/8" Long Overall	TRK-833	TRK-833WS
3	Saginaw	66-82	2WD & 4x4	Iron			7 Bolt Side Cover, Case 9-5/8" Long Overall	TRK-301	TRK-301WS1
3	SM330	68-74	2WD & 4x4	Iron			7 Bolt Side Cover, Case 11" Long Overall	TRK-G140	Obsolete
3	Tremec	65-82	2WD & 4x4	Iron			9 Bolt Top Cover, Case 9-5/8" Long Overall	TRK-150F	TRK-150FWS1
4	185	40-47	2WD & 4x4	Iron			6 Bolt Top Cover	TRK-G150	
4	NP435	63-72	2WD & 4x4	Iron			With Taper I/S Brg.	TRK-127SPK	TRK-127WS
4	NP435	63-72	2WD & 4x4	Iron			With Ball I/S Brg.	TRK-127G	TRK-127GWS
4	SM420	48-67	2WD & 4x4	Iron			1 PTO Opening, Case 10-1/2" Long Overall	TRK-G160	
4	SM465	68-90	2WD & 4x4	Iron			2 PTO Openings (Contains M1305GGTV & R1563TAV Front C/S Brg.)	TRK-157A	TRK-157AWS
4	SM465	68-90	2WD & 4x4	Iron			Master Kit w/ Small Parts Kit, Keys & Springs	TRK-157ASPK	TRK-157ASPKWS
4	SM465	79-90	2WD & 4x4	Iron			Contains only R1563TAV Front C/S Brg.	TRK-157L	TRK-157LWS
4	SM465	90-On	2WD & 4x4	Iron			211FFLE I/S Brg.	TRK-157B	TRK-157BWS
5	Clark 260	60-67	2WD & 4x4	Iron			Case 14-1/4" Long Overall	TRK-23	
5	Clark 280	68-82	2WD & 4x4	Iron			Case 15-1/16" Long Overall (Ball I/S Brg.)	TRK-148	
5	Clark 280HD	79-82	2WD & 4x4	Iron			Case 15-1/16" Long Overall (Taper I/S Brg.)	TRK-190	
5	Clark 300	60-69	2WD & 4x4	Iron			Case 16-1/2" Long Overall	TRK-48	
5	Clark 320	68-75	2WD & 4x4	Iron			Case 17-1/32" Long Overall	TRK-132	
5	Clark 380	68-75	2WD & 4x4	Iron			Case 17-1/32" Long Overall	TRK-133	
5	Clark 390	76-82	2WD & 4x4	Iron			Case 15-1/4" Long Overall	TRK-390G	
5	NP540	60-78	2WD & 4x4	Iron		C-91171 or C-91861	4 Bolt Front C/S Retainer	TRK-27	
5	NP541	60-69	2WD & 4x4	Iron		C-92651	6 Bolt Front C/S Retainer	TRK-29	
5	NP542	70-84	2WD & 4x4	Iron		C-11264 or C-97849	6 Bolt Front C/S Retainer	TRK-29	
Truck 1/2, 3/4, 1 Ton									
3	Saginaw	83-87	2WD & 4x4	Iron			7 Bolt Side Cover, Case 9-5/8" Long Overall	TRK-301	TRK-301WS1
3 w/ O/D	NP833	83-86	2WD & 4x4	Alum. Or Iron			10 Bolt Side Cover, Case 10-5/8" Long Overall	TRK-833	TRK-833WS
4	SM465	68-90	2WD & 4x4	Iron			Contains M1305GGTV & R1563TAV Front C/S Brg.	TRK-157A	TRK-157AWS
4	SM465	68-90	2WD & 4x4	Iron			Master Kit w/ Small Parts Kit, Keys, & Springs	TRK-157ASPK	TRK-157ASPKWS
4	SM465	79-90	2WD & 4x4	Iron			Contains R1563TAV Front C/S Brg.	TRK-157L	TRK-157LWS
4	SM465	90-91	2WD & 4x4	Iron			211FFLE I/S Brg.	TRK-157B	TRK-157BWS
5	HM290, MG5	88-89	2WD & 4x4	Alum.			Getrag 1st Design (3 Pc. I/S & O/S Brgs.)	TRK-235	TRK-235WS
5	HM290, MG5	88-89	2WD & 4x4	Alum.			Getrag 1st Design (3 Pc. I/S & O/S Brgs.) Includes M/S Needle Brgs.	TRK-235N	TRK-235NWS

Light Duty Transmission Rebuild Kit Applications



GMC (Buick, Cadillac, Chevrolet, Geo, Oldsmobile, Pontiac) CONTINUED

Speeds	Model #	Year	FWD/RWD	Case	Casting #	Engine	Notes	Kit	w/ Synchronizer Rings
Truck 1/2, 3/4, 1 Ton CONTINUED									
5	HM290, MG5	90-91	2WD & 4x4	Alum.			Getrag 2nd Design (3 Pc. I/S & Standard Ball O/S Brgs.)	TRK-235A	TRK-235AWS
5	HM290, MG5, NV3500	91-94	2WD & 4x4	Alum.			Getrag 3rd Design (Standard Ball I/S & O/S Brgs.)	TRK-235B	TRK-235BWS
5	HM290, MG5, NV3500	95	2WD & 4x4	Alum.			Getrag 3rd Design (Standard Ball I/S & O/S Brgs. And 3 Pc. 1-2 Synchro Rings)	TRK-235B	TRK-235BWS1
5	HM290, MG5, NV3500	96-On	2WD & 4x4	Alum.			Getrag 3rd Design (Standard Ball I/S & O/S Brgs. And 3 Pc. 1-2 Synchro Rings) & 1.180 ID C/S Brgs.	TRK-235B	TRK-235BWS1
5	M50, NV3500	96-On	2WD & 4x4	Alum.			Getrag 3rd Design (Standard Ball I/S & O/S Brgs. And 3 Pc. 1-2 Synchro Rings) & 1.300 ID C/S Brgs.	TRK-235E	TRK-235EWS
5	HM290, MG5	90-91	2WD & 4x4	Alum.			Getrag 2nd Design (3 Pc. I/S & Standard Ball O/S Brgs.) Includes M/S Needle Brgs.	TRK-235AN	TRK-235ANWS
5	HM290, MG5, NV3500	91-93	2WD & 4x4	Alum.			Getrag 3rd Design (Standard Ball I/S & O/S Brgs.) Includes M/S Needle Brgs.	TRK-235BN	TRK-235BNWS
5	HM290, MG5, NV3500	94	2WD & 4x4	Alum.			Getrag 3rd Design (Standard Ball I/S & O/S Brgs.) Includes M/S Needle Brgs.	TRK-235BN1	TRK-235BN1WS
5	HM290, MG5, NV3500	95-96	2WD & 4x4	Alum.			Getrag 3rd Design (Standard Ball I/S & O/S Brgs.) Includes M/S Needle Brgs.	TRK-235BN2	TRK-235BN2WS
5	NV4500	91-95	2WD & 4x4	Iron	C-16812 or C-18157			TRK-4500GM	TRK-4500GMWS
5	NV4500	96-On	2WD & 4x4	Iron	C-91171 or C-91861		Flat Front Brg. Retainer	TRK-4500GM1	TRK-4500GM1WS
5	NV4500	91-95	2WD & 4x4	Iron			Kit Includes M/S Needles	TRK-4500GMN	TRK-4500GMNWS
5	NV4500	96	2WD & 4x4	Iron			Flat Front Brg. Retainer (Kit Includes M/S Needles)	TRK-4500GM1N	TRK-4500GM1NWS
5	NV4500	97-On	2WD & 4x4	Iron			Flat Front Brg. Retainer (Kit Includes M/S Needles)	TRK-4500GM1N1	TRK-4500GM1N1WS
5	NV4500	91-95	2WD & 4x4	Iron			Kit Includes M/S Needles & Small Parts Kit	TRK-4500GMNSPK	TRK-4500GMNSPKWS
5	NV4500	96	2WD & 4x4	Iron			Flat Front Brg. Retainer (Kit Includes M/S Needles & Small Parts Kit)	TRK-4500GM1NSPK	TRK-4500GM1NSPKWS
5	NV4500	97-On	2WD & 4x4	Iron			Flat Front Brg. Retainer (Kit Includes M/S Needles & Small Parts Kit)	TRK-4500GM1N1SPK	TRK-4500GM1N1SPKWS
5	NV4500	91-95	2WD & 4x4	Iron			Kit Includes Small Parts Kit	TRK-4500GMSPK	TRK-4500GMSPKWS
5	NV4500	96-On	2WD & 4x4	Iron			Flat Front Brg. Retainer (Kit Includes Small Parts Kit)	TRK-4500GM1SPK	TRK-4500GM1SPKWS
6	S6-650ZF	01-03	2WD & 4x4	Alum.				TRK-S6-650ZFA	TRK-S6-650ZFAWS

Vibe

5	C59	03-1/03	FWD	Alum.		1.8L		TRK-FT900	TRK-FT900WS
5	C59	1/03-06	FWD	Alum.		1.8L		TRK-FT900	TRK-FT900WS1
6	C60	03-05	FWD	Alum.		1.8L	GT	TRK-FT790	TRK-FT790WS

Yukon

5	HM290, MG5, NV3500	92-94	2WD & 4x4	Alum.			Getrag 3rd Design (Standard Ball I/S & O/S Brgs.)	TRK-235B	TRK-235BWS
5	HM290, MG5, NV3500	95	2WD & 4x4	Alum.			Getrag 3rd Design (Standard Ball I/S & O/S Brgs. And 3 Pc. 1-2 Synchro Rings)	TRK-235B	TRK-235BWS1
5	HM290, MG5, NV3500	92-93	2WD & 4x4	Alum.			Getrag 3rd Design (Standard Ball I/S & O/S Brgs.) Includes M/S Needle Brgs.	TRK-235BN	TRK-235BNWS
5	HM290, MG5, NV3500	94	2WD & 4x4	Alum.			Getrag 3rd Design (Standard Ball I/S & O/S Brgs.) Includes M/S Needle Brgs.	TRK-235BN1	TRK-235BN1WS
5	HM290, MG5, NV3500	95	2WD & 4x4	Alum.			Getrag 3rd Design (Standard Ball I/S & O/S Brgs.) Includes M/S Needle Brgs.	TRK-235BN2	TRK-235BN2WS

Light Duty Transmission Rebuild Kit Applications

Honda

Speeds	Model #	Year	FWD/RWD	Case	Casting #	Engine	Notes	Kit	w/ Synchronizer Rings
Accord									
5	A2Q5	86-89	FWD	Alum.			8 Bolt Black Tin Cover Over 5th Gears	TRK-FH120	TRK-FH120WS
5	A2Q6	86-89	FWD	Alum.			8 Bolt Black Tin Cover Over 5th Gears	TRK-FH120	TRK-FH120WS
5	E2Q5	86-89	FWD	Alum.			8 Bolt Black Tin Cover Over 5th Gears	TRK-FH120	TRK-FH120WS
5	E2Q6	86-89	FWD	Alum.			8 Bolt Black Tin Cover Over 5th Gears	TRK-FH120	TRK-FH120WS
5	E2R5	86-89	FWD	Alum.			8 Bolt Black Tin Cover Over 5th Gears	TRK-FH120	TRK-FH120WS
5	E2R6	86-89	FWD	Alum.			8 Bolt Black Tin Cover Over 5th Gears	TRK-FH120	TRK-FH120WS
4/5	GF	75-78	FWD	Alum.			4 Bolt Alum. Rear Cover	TRK-FH250	TRK-FH250WS
5	GK	79-83	FWD	Alum.			8 Bolt Gold Tin Cover Over 5th Gears	TRK-FH100	TRK-FH100WS
5	GS	84-85	FWD	Alum.			8 Bolt Black Tin Cover Over 5th Gears	TRK-FH140	TRK-FH140WS
5	GY	84-85	FWD	Alum.			8 Bolt Black Tin Cover Over 5th Gears	TRK-FH140	TRK-FH140WS
5	H2A5	90-91	FWD	Alum.				TRK-FH170	TRK-FH170WS
5	H2A5	92-93	FWD	Alum.				TRK-FH180	TRK-FH180WS
5	H2C4	90-91	FWD	Alum.				TRK-FH170	TRK-FH170WS
5	H2C4	92-93	FWD	Alum.				TRK-FH180	TRK-FH180WS
5	H2U4	90-91	FWD	Alum.				TRK-FH170	TRK-FH170WS
5	H2U4	92-93	FWD	Alum.				TRK-FH180	TRK-FH180WS
5	H2U5	90-91	FWD	Alum.				TRK-FH170	TRK-FH170WS
5	H2U5	92-93	FWD	Alum.				TRK-FH180	TRK-FH180WS
5	HWU4	90-91	FWD	Alum.				TRK-FH170	TRK-FH170WS
5	HWU4	92-93	FWD	Alum.				TRK-FH180	TRK-FH180WS
5	P2A4	94-97	FWD	Alum.				TRK-FH180	TRK-FH180WS
5	P2A5	94-97	FWD	Alum.				TRK-FH180	TRK-FH180WS
5	P2A5	98-02	FWD	Alum.				TRK-FH180	TRK-FH180WS1
5	P2A8	98-02	FWD	Alum.				TRK-FH180	TRK-FH180WS1
5	P2U5	94-97	FWD	Alum.				TRK-FH180	TRK-FH180WS
5	P2U5	98-02	FWD	Alum.				TRK-FH180	TRK-FH180WS2
5	APG6	03-05	FWD	Alum.		4 Cyl.		TRK-FH370	TRK-FH370WS
5	ATC6	03-05	FWD	Alum.		V-6		TRK-FH380	TRK-FH380WS
Civic									
4/5	GB	73-79	FWD	Alum.			4 Bolt Alum. Rear Cover	TRK-FH250	TRK-FH250WS
4/5	GC	73-79	FWD	Alum.			4 Bolt Alum. Rear Cover	TRK-FH250	TRK-FH250WS
4/5	GD	73-79	FWD	Alum.			4 Bolt Alum. Rear Cover	TRK-FH250	TRK-FH250WS
4/5	GE	73-79	FWD	Alum.			4 Bolt Alum. Rear Cover	TRK-FH250	TRK-FH250WS
4/5	GF	73-79	FWD	Alum.			4 Bolt Alum. Rear Cover	TRK-FH250	TRK-FH250WS
4/5	GJ	80-83	FWD	Alum.			Small Round Tin Back Cover	TRK-FH160	
4/5	GM	80-83	FWD	Alum.			Small Round Tin Back Cover	TRK-FH160	
4/5	GV	84-87	FWD	Alum.			Alum Cover Over 5th Gears	TRK-FH110	TRK-FH110WS
4/5	GW	84-87	FWD	Alum.			Alum Cover Over 5th Gears	TRK-FH110	TRK-FH110WS
4	L3	88-91	FWD	Alum.			6207 Diff Brgs.	TRK-FH150	TRK-FH150WS
5	L3	88-91	FWD	Alum.		1.5L	6207 Diff Brgs.	TRK-FH150	TRK-FH150WS
5	L3	88-91	FWD	Alum.		1.6L	6208 Diff Brgs.	TRK-FH130	TRK-FH130WS
5	S20	92-95	FWD	Alum.		1.5L	6207 Diff Brgs.	TRK-FH150	TRK-FH150WS
5	S20	92-95	FWD	Alum.		1.6L	6208 Diff Brgs.	TRK-FH200	TRK-FH200WS
5	S40	96-00	FWD	Alum.		1.6L VTEC-E (Code D16Y5)	6207 Diff Brgs.	TRK-FH150	TRK-FH150WS
5	S40	96-00	FWD	Alum.		1.6L (Code D16Y7)	6207 Diff Brgs.	TRK-FH150	TRK-FH150WS
5	S40	96-00	FWD	Alum.		1.6L VTEC (Code D16Y8)	6208 Diff Brgs., 26x58x15 I/S Brg.	TRK-FH200	TRK-FH200WS
5	S40	98-00	FWD	Alum.		1.6L VTEC-E (Code D16Y5)	6208 Diff Brgs., 26x58x15 I/S Brg.	TRK-FH200	TRK-FH200WS

Light Duty Transmission Rebuild Kit Applications



Honda CONTINUED

Speeds	Model #	Year	FWD/RWD	Case	Casting #	Engine	Notes	Kit	w/ Synchronizer Rings
Civic CONTINUED									
5	S4C	99-00	FWD	Alum.		Si DOHC VTEC (Code B16A2)	6208 Diff Brgs., 28x60x15 I/S Brg.	TRK-FH260	TRK-FH260WS1
5	SLW	01-05	FWD	Alum.		1.7L		TRK-FH390	
5	NRH3	02-05	FWD	Alum.		Si, DOHC VTEC			TRK-FH460
5	SZB	02-05	FWD	Alum.	Hybrid			TRK-FH470	
6	L3-SL	85-On	4x4	Alum.				TRK-FH290	TRK-FH290WS
Del Sol									
5	S20	93-95	FWD	Alum.		1.5L	6207 Diff Brgs.	TRK-FH150	TRK-FH150WS
5	S20	93-95	FWD	Alum.		1.6L SOHC VTEC	6208 Diff Brgs., 26x58x15 I/S Brg.	TRK-FH200	TRK-FH200WS
5	S21	96-97	FWD	Alum.		1.6L DOHC V-TEC	6208 Diff Brgs., 28x60x15 I/S Brg.	TRK-FH260	TRK-FH260WS1
5	SG8	96-97	FWD	Alum.		1.5L, 1.6L SOHC VTEC	6208 Diff Brgs., 26x58x15 I/S Brg.	TRK-FH200	TRK-FH200WS
5	Y21	93-95	FWD	Alum.		1.6L DOHC V-TEC	6208 Diff Brgs., 28x60x15 I/S Brg.	TRK-FH260	TRK-FH260WS1
CRX									
5	L3	88-91	FWD	Alum.		1.5L	6207 Diff Brgs.	TRK-FH150	TRK-FH150WS
5	L3	88-91	FWD	Alum.		1.6L	6208 Diff Brgs.	TRK-FH130	TRK-FH130WS
4/5	GV	84-87	FWD	Alum.			Alum Cover Over 5th Gears	TRK-FH110	TRK-FH110WS
4/5	GW	84-87	FWD	Alum.			Alum Cover Over 5th Gears	TRK-FH110	TRK-FH110WS
CR-V									
5	SBXM	97-01	4x4	Alum.				TRK-FH340	
Element									
5		02-05		Alum.				TRK-FH480	
Passport									
5	MSG-5	94-02	4x4	Alum.			4x4 Kit includes Transfer Case Parts	TRK-FI160	TRK-FI160WS
5	MSG-5	94-02	2WD	Alum.		V6		TRK-FI200	TRK-FI200WS
5	T5 World Class	94-96	2WD	Alum.	1352	4 Cyl.		TRK-5W	TRK-5WWS1
Prelude									
5	A1B5	85-87	FWD	Alum.			8 Bolt Black Tin Cover Over 5th Gears	TRK-FH120	TRK-FH120WS
5	A2K5	85-87	FWD	Alum.			8 Bolt Black Tin Cover Over 5th Gears	TRK-FH120	TRK-FH120WS
5	D2A4	90-91	FWD	Alum.		2.0L		TRK-FH210	TRK-FH210WS
5	D2J3	88-89	FWD	Alum.				TRK-FH240	TRK-FH240WS
5	D2J4	88-89	FWD	Alum.				TRK-FH240	TRK-FH240WS
5	D2J5	88-89	FWD	Alum.				TRK-FH240	TRK-FH240WS
5	D2M4	88-89	FWD	Alum.				TRK-FH240	TRK-FH240WS
5	GM	83-85	FWD	Alum.				TRK-FH140	TRK-FH140WS
5	GK	79-82	FWD	Alum.				TRK-FH100	TRK-FH100WS
5	M2F4	94-96	FWD	Alum.		2.2L DOHC, V-TEC		TRK-FH180	TRK-FH180WS1
5	M2L5	92-96	FWD	Alum.		2.2L SOHC		TRK-FH180	TRK-FH180WS1
5	M2S4	92-96	FWD	Alum.		2.3L DOHC		TRK-FH180	TRK-FH180WS1
5	M2U4	97-01	FWD	Alum.				TRK-FH350	TRK-FH350WS
5	M2Y4	97-01	FWD	Alum.				TRK-FH360	TRK-FH360WS

Light Duty Transmission Rebuild Kit Applications

Hyundai

Speeds	Model #	Year	FWD/RWD	Case	Casting #	Engine	Notes	Kit	w/ Synchronizer Rings
Accent									
5	KM302	8/94-10/95	FWD	Alum.				TRK-FM260	TRK-FM260WS
5	KM302	11/95-99	FWD	Alum.				TRK-FM420	TRK-FM420WS
Elantra									
5	KM303	91-5/93	FWD	Alum.				TRK-FM150	TRK-FM150WS1
5	KM303	6/93-11/95	FWD	Alum.				TRK-FM150	TRK-FM150WS3
5	M5AF3	12/95-00	FWD	Alum.				TRK-FM400	TRK-FM400WS
Excel									
4	KM160	12/85-4/89	FWD	Alum.		1.5L		TRK-FC110	TRK-FC110WS1
5	KM162	12/85-4/89	FWD	Alum.		1.5L		TRK-FC110	TRK-FC110WS
4	KM200	4/89-93	FWD	Alum.		1.5L		TRK-FM100	TRK-FM100WS1
5	KM206	4/89-94	FWD	Alum.		1.5L		TRK-FM100	TRK-FM100WS
Sonata									
5	KM208	89-91	FWD	Alum.		2.0L		TRK-FM150	TRK-FM150WS
5	KM212	92-98	FWD	Alum.		2.4L		TRK-FM210	TRK-FM210WS
Scoupe									
5	KM210	5/90-7/92	FWD	Alum.				TRK-FM100	TRK-FM100WS
5	KM301	8/92-95	FWD	Alum.				TRK-FM380	TRK-FM380WS

Infiniti

Speeds	Model #	Year	FWD/RWD	Case	Casting #	Engine	Notes	Kit	w/ Synchronizer Rings
G20									
5	RS5F32A	7/90-On	FWD	Alum.			Standard Differential	TRK-FN360	TRK-FN360WS
5	RS5F32V	7/90-On	FWD	Alum.			With Limited Slip Differential	TRK-FN200	TRK-FN200WS
I30									
5	RS5F50A	11/95-On	FWD	Alum.			Standard Differential	TRK-FN370	TRK-FN370WS
5	RS5F50A	11/95-On	FWD	Alum.			With Limited Slip Differential	TRK-FN380	TRK-FN380WS

International

Speeds	Model #	Year	FWD/RWD	Case	Casting #	Engine	Notes	Kit	w/ Synchronizer Rings
Truck									
3	T15	74-80	2WD & 4x4	Iron	T15 or 13-07			TRK-BW15I	TRK-BW15IWS
3	T90	61-73	2WD & 4x4	Iron	T90			TRK-BW90I	TRK-BW90IWS
4	NP435	64-85	2WD & 4x4	Iron			Alum. Top Cover	TRK-127I	
4	NP445	70-78	2WD & 4x4	Iron			Alum. Top Cover & Fully Synchronized	TRK-NP140I	
4	T18	65-73	2WD & 4x4	Iron	T18 or 13-01			TRK-BW18I	TRK-BW18IWS
4	T19	74-85	2WD & 4x4	Iron	13-09			TRK-BW19I	TRK-BW19IWS
4	T98	56-69	2WD & 4x4	Iron	T98			TRK-BW98I	TRK-BW98IWS
5	T33	62-75	2WD & 4x4	Iron	440288C2		With 1st-Rev. Sliding Gear	TRK-156	
5	T495	75-80	2WD & 4x4	Iron	440288C2		Without 1st-Rev. Sliding Gear	TRK-156	
5	T698	80-85	2WD & 4x4	Iron	440288C2			TRK-183	

Light Duty Transmission Rebuild Kit Applications



ISUZU									
Speeds	Model #	Year	FWD/RWD	Case	Casting #	Engine	Notes	Kit	w/ Synchronizer Rings
Amigo									
5	MSG-5F	7/87-5/91	4x4	Alum.				TRK-FI130	TRK-FI130WS
5	MSG-5F	6/91-00	4x4	Alum.			3 PC. 1-2 Synchro Rings	TRK-FI160	TRK-FI160WS
5	MSG-5G	87-5/91	2WD	Alum.		6 Cyl.		TRK-FI170	TRK-FI170WS
5	MSG-5G	6/91-00	2WD	Alum.		6 Cyl.		TRK-FI200	TRK-FI200WS
5	MSG-5K	81-87	2WD	Alum.		4 Cyl.	1-2 Rings 36 Teeth	TRK-FI110	TRK-FI110WS
5	MSG-5K	81-87	2WD	Alum.		4 Cyl.	1-2 Rings 45 Teeth	TRK-FI110	TRK-FI110WS1
Hombre									
5	NV1500	96-00	2WD	Alum.				TRK-1500GM	TRK-1500GMWS
I-Mark									
5	MSG-5G	2/85-89	FWD	Alum.				TRK-FI120	TRK-FI120WS
5	MSG-5G	2/85-89	FWD	Alum.			3 PC. 1-2 Synchro Rings	TRK-FI120	TRK-FI120WS1
4	MSG-4K	81-2/85	RWD	Alum.				TRK-FI220	TRK-FI220WS
5	MSG-5K	81-2/85	RWD	Alum.				TRK-FI110	TRK-FI110WS
Impulse									
5	MSG-5G	90-92	FWD	Alum.				TRK-FI120	TRK-FI120WS
5	MSG-5G	90-92	FWD	Alum.			3 PC. 1-2 Synchro Rings	TRK-FI120	TRK-FI120WS1
5	MSG-5T	83-12/87	RWD	Alum.			1-2 Rings 36 Teeth	TRK-FI110	TRK-FI110WS
5	MSG-5T	12/87-90	RWD	Alum.			1-2 Rings 45 Teeth	TRK-FI110	TRK-FI110WS1
Rodeo									
5	MSG-5F	7/87-5/91	4x4	Alum.				TRK-FI130	TRK-FI130WS
5	MSG-5F	6/91-04	4x4	Alum.			3 PC. 1-2 Synchro Rings	TRK-FI160	TRK-FI160WS
5	MSG-5G	87-5/91	2WD	Alum.		6 Cyl.		TRK-FI170	TRK-FI170WS
5	MSG-5G	6/91-04	2WD	Alum.		6 Cyl.		TRK-FI200	TRK-FI200WS
5	T5 World Class	90-98	2WD	Alum.	1352			TRK-5W	TRK-5WWS
Stylus									
5	MSG-5G	91-93	FWD	Alum.				TRK-FI120	TRK-FI120WS
5	MSG-5G	91-93	FWD	Alum.			3 PC. 1-2 Synchro Rings	TRK-FI120	TRK-FI120WS1
Trooper									
4	MSG-4ET	81-87	4x4	Alum.				TRK-FI180	TRK-FI180WS
5	MSG-5ET	84-6/87	4x4	Alum.				TRK-FI100	TRK-FI100WS
5	MSG-5F	7/87-5/91	4x4	Alum.				TRK-FI130	TRK-FI130WS
5	MSG-5F	6/91-97	4x4	Alum.			3 PC. 1-2 Synchro Rings	TRK-FI160	TRK-FI160WS
Truck									
4	MSG-4ET	81-87	4x4	Alum.			4x4	TRK-FI180	TRK-FI180WS
4	MSG-4K	76-81	2WD	Alum.				TRK-FI140	TRK-FI140WS
4	MSG-4K	81-87	2WD	Alum.				TRK-FI220	TRK-FI220WS
5	MSG-5ET	84-6/87	4x4	Alum.				TRK-FI100	TRK-FI100WS
5	MSG-5F	7/87-5/91	4x4	Alum.				TRK-FI130	TRK-FI130WS
5	MSG-5F	6/91-95	4x4	Alum.			3 PC. 1-2 Synchro Rings	TRK-FI160	TRK-FI160WS
5	MSG-5G	87-5/91	2WD	Alum.		6 Cyl.		TRK-FI170	TRK-FI170WS
5	MSG-5G	6/91-95	2WD	Alum.		6 Cyl.		TRK-FI200	TRK-FI200WS
5	MSG-5K	81-87	2WD	Alum.		4 Cyl.	1-2 Rings 36 Teeth	TRK-FI110	TRK-FI110WS
5	MSG-5K	81-87	2WD	Alum.		4 Cyl.	1-2 Rings 45 Teeth	TRK-FI110	TRK-FI110WS1

Light Duty Transmission Rebuild Kit Applications

Jeep

Speeds	Model #	Year	FWD/RWD	Case	Casting #	Engine	Notes	Kit	w/ Synchronizer Rings
83 & Earlier Models									
3	T14	68-76	2WD & 4x4	Iron	T-14 or 13-02		6 Bolt Top Cover	TRK-BW14J	TRK-BW14JWS
3	T15	67-79	2WD & 4x4	Iron	T15 or 13-07			TRK-BW15J	TRK-BW15JWS
3	T84	41-45	2WD & 4x4	Iron	T84			TRK-BW84	TRK-BW84WS
3	T85	52-64	2WD & 4x4	Iron	T84			TRK-BW85	TRK-BW85WS
3	T86	54-64	2WD & 4x4	Iron	T86		6 Bolt Top Cover	TRK-BW86J	TRK-BW86JWS
3	T86	65-71	2WD & 4x4	Iron	T86		6 Bolt Top Cover	TRK-BW86JA	TRK-BW86JAWS
3	T90	46-72	2WD & 4x4	Iron	T90		6 Bolt Top Cover	TRK-BW90	TRK-BW90WS
3	T150	75-80	2WD & 4x4		2603xxx			TRK-150J	TRK-150JWS
4	SR4J	79-81	2WD & 4x4	Alum.	1332		Ball I/S Brg., Alum. Top Cover	TRK-BWSR4J	TRK-BWSR4JWS
4	T4J	82-86	2WD & 4x4	Alum.	1351		Taper I/S Brg., Alum. Top Cover	TRK-4J	TRK-4JWS
4	T18J	65-86	2WD & 4x4	Iron	T18 or 13-01			TRK-BW18J	TRK-BW18JWSΩ
4	T98J	55-73	2WD & 4x4	Iron	T98		Iron Top Cover	TRK-BW98J	TRK-BW98JWS
4	T176	80-84	2WD & 4x4	Alum.	2604xxx		10 Bolt Alum. Cover with Brass Forks	TRK-175	TRK-175WS
4	T177	80-84	2WD & 4x4	Alum.	2604xxx		10 Bolt Alum. Cover with Brass Forks	TRK-175	TRK-175WS
4	T178	80-84	2WD & 4x4	Alum.	2604xxx		10 Bolt Alum. Cover with Brass Forks	TRK-175	TRK-175WS

Cherokee

4	T4J	84-85	2WD & 4x4	Alum.	1351		Taper I/S Brg., Alum. Top Cover	TRK-4J	TRK-4JWS
4	AX4	84-85	2WD & 4x4	Alum.		4 Cyl. , 6 Cyl.	20mm Wide I/S Brg.	TRK-FT180	TRK-FT180WS
4	AX4	84-11/4/88	2WD & 4x4	Alum.		4 Cyl. , 6 Cyl.	23mm Wide I/S Brg.	TRK-FT170	TRK-FT170WS
4	AX4	11/5/88-90	2WD & 4x4	Alum.		4 Cyl.	23mm Wide I/S Brg.	TRK-FT170	TRK-FT170WS
5	T5J	84-85	2WD & 4x4	Alum.	1352			TRK-5	TRK-5WS
5	AX5	84-85	2WD & 4x4	Alum.		4 Cyl. , 6 Cyl.	20mm Wide I/S Brg.	TRK-FT180	TRK-FT180WS
5	AX5	86-11/4/88	2WD & 4x4	Alum.		4 Cyl. , 6 Cyl.	23mm Wide I/S Brg.	TRK-FT170	TRK-FT170WS
5	AX5	11/5/88-00	2WD & 4x4	Alum.		4 Cyl.		TRK-FT160	TRK-FT160WS
5	AX15	89-90	2WD & 4x4	Alum.		6 Cyl.	Serial # 00705122 and lower	TRK-FT300	TRK-FT300WS
5	AX15	90-99	2WD & 4x4	Alum.		6 Cyl.	Serial # 00705123 and higher	TRK-FT300	TRK-FT300WS1
5	BA10 / AX18	87-89	2WD & 4x4	Alum.		6 Cyl.	Case Splits Lengthwise	TRK-FP100	TRK-FP100WS
5	NV3550	00-01	2WD & 4x4	Alum.		6 Cyl.		TRK-NV3550	TRK-NV3550WS

Comanche/ MJ

4	AX4	84-85	2WD & 4x4	Alum.		4 Cyl. , 6 Cyl.	20mm Wide I/S Brg.	TRK-FT180	TRK-FT180WS
4	AX4	84-11/4/88	2WD & 4x4	Alum.		4 Cyl. , 6 Cyl.	23mm Wide I/S Brg.	TRK-FT170	TRK-FT170WS
4	AX4	11/5/88-90	2WD & 4x4	Alum.		4 Cyl.	23mm Wide I/S Brg.	TRK-FT170	TRK-FT170WS
5	AX5	84-85	2WD & 4x4	Alum.		4 Cyl. , 6 Cyl.	20mm Wide I/S Brg.	TRK-FT180	TRK-FT180WS
5	AX5	86-11/4/88	2WD & 4x4	Alum.		4 Cyl. , 6 Cyl.	23mm Wide I/S Brg.	TRK-FT170	TRK-FT170WS
5	AX5	11/5/88-92	2WD & 4x4	Alum.		4 Cyl.		TRK-FT160	TRK-FT160WS
5	AX15	89-90	2WD & 4x4	Alum.		6 Cyl.	Serial # 00705122 and lower	TRK-FT300	TRK-FT300WS
5	AX15	90-93	2WD & 4x4	Alum.		6 Cyl.	Serial # 00705123 and higher	TRK-FT300	TRK-FT300WS1
5	BA10 / AX18	87-89	2WD & 4x4	Alum.		6 Cyl.	Case Splits Lengthwise	TRK-FP100	TRK-FP100WS

Light Duty Transmission Rebuild Kit Applications



Jeep CONTINUED

Speeds	Model #	Year	FWD/RWD	Case	Casting #	Engine	Notes	Kit	w/ Synchronizer Rings
Grand Cherokee									
5	AX15	93-94	4x4	Alum.		6 Cyl.	Serial # 00705123 and higher	TRK-FT300	TRK-FT300WS1
Liberty									
5	NV1500	02	2WD & 4x4					TRK-1500D	TRK-1500DWS
6	NSG370	05-On						TRK-FC120	TRK-FC120WS
Truck J10 / J20									
4	T176	81-87	4x4	Alum.	2604xxx	8 Cyl.	10 Bolt Alum. Cover with Brass Forks	TRK-175	TRK-175WS
4	T177	81-87	4x4	Alum.	2604xxx	6 Cyl.	10 Bolt Alum. Cover with Brass Forks	TRK-175	TRK-175WS
4	T18	81-86	4x4	Iron	T18 or 13-01	6 Cyl. & 8 Cyl.		TRK-BW18J	TRK-BW18JWS
5	T5J	82-83	4x4	Alum.	1352			TRK-5	TRK-5WS
Wrangler / Scrambler / CJ / YJ									
4	T177	81-86	4x4	Alum.	2604xxx		10 Bolt Alum. Cover with Brass Forks	TRK-175	TRK-175WS
4	SR4J	81	4x4	Alum.	1332	4 Cyl. & 6 Cyl.	Ball I/S Brg., Alum. Top Cover	TRK-BWSR4J	TRK-BWSR4JWS
4	T4J	82-86	4x4	Alum.	1351	4 Cyl. & 6 Cyl.	Taper I/S Brg., Alum. Top Cover	TRK-4J	TRK-4JWS
5	T5J	82-86	4x4	Alum.	1352	4 Cyl. & 6 Cyl.		TRK-5	TRK-5WS
5	AX5	87-11/4/88	2WD & 4x4	Alum.		4 Cyl. & 6 Cyl.	23mm Wide I/S Brg.	TRK-FT170	TRK-FT170WS
5	AX5	11/5/88-92	2WD & 4x4	Alum.		4 Cyl.		TRK-FT160	TRK-FT160WS
5	AX15	89-90	2WD & 4x4	Alum.		6 Cyl.	Serial # 00705122 and lower	TRK-FT300	TRK-FT300WS
5	AX15	90-99	2WD & 4x4	Alum.		6 Cyl.	Serial # 00705123 and higher	TRK-FT300	TRK-FT300WS1
5	BA10 / AX18	87-89	4x4	Alum.		6 Cyl.	Case Splits Lengthwise	TRK-FP100	TRK-FP100WS
5	NV3550	00-02	4x4	Alum.		6 Cyl.		TRK-NV3550	TRK-NV3550WS
6	NSG370	05-On						TRK-FC120	TRK-FC120WS

KIA

Speeds	Model #	Year	FWD/RWD	Case	Casting #	Engine	Notes	Kit	w/ Synchronizer Rings
Car									
5		94-On	FWD	Alum.		1.6L		TRK-FMZ130	TRK-FMZ130WS
5		94-On	FWD	Alum.		1.8L		TRK-FMZ150	TRK-FMZ150WS
Sephia									
5		94-On	FWD	Alum.		1.6L		TRK-FMZ130	TRK-FMZ130WS
5		94-On	FWD	Alum.		1.8L		TRK-FMZ150	TRK-FMZ150WS
Sportage									
5	Sport	95-On	4x4	Alum.				TRK-FK110	TRK-FK110WS

Lexus

Speeds	Model #	Year	FWD/RWD	Case	Casting #	Engine	Notes	Kit	w/ Synchronizer Rings
ES250									
5	E52	6/89-91	FWD	Alum.				TRK-FT520	Obsolete
ES300									
5	E53	7/91-On	FWD	Alum.				TRK-FT520	TRK-FT520WS1
SC300									
5	W58	11/91-97	RWD	Alum.				TRK-FT210	TRK-FT210WS5

Light Duty Transmission Rebuild Kit Applications

Mazda

Speeds	Model #	Year	FWD/RWD	Case	Casting #	Engine	Notes	Kit	w/ Synchronizer Rings
323									
4	323	86-88	FWD	Alum.				TRK-FMZ180	TRK-FMZ180WS1
5	323	86-88	FWD	Alum.				TRK-FMZ180	TRK-FMZ180WS
5	F5M-R	88-94	FWD	Alum.		Turbo		TRK-FMZ150	TRK-FMZ150WS
5	G5M-R	89-94	FWD	Alum.		1.6L SOHC		TRK-FMZ130	TRK-FMZ130WS
5	F5M-R	89-94	FWD	Alum.		1.8L DOHC		TRK-FMZ150	TRK-FMZ150WS
5	G5MX-R	88-89	4x4	Alum.				Obsolete	Obsolete
626									
5	R Type	76-82	RWD	Alum.				TRK-FMZ100	TRK-FMZ100WS
5	626	83-88	FWD	Alum.				TRK-FMZ150	TRK-FMZ150WS
5	F5M-R,G25M-R, H5M-R	88-02	FWD	Alum.			Synchronized in Rev.	TRK-FMZ150	TRK-FMZ150WS
5	F5M-R	86-87	FWD	Alum.		Turbo		TRK-FMZ150	TRK-FMZ150WS
5	F5M-R,G25M-R, H5M-R	88-92	FWD	Alum.		Turbo		TRK-FMZ170	TRK-FMZ170WS
929									
5	R-Type	88-89	RWD	Alum.				TRK-FMZ210	TRK-FMZ210WS
GLC									
4	GLC	77-82	RWD	Alum.				TRK-FMZ240	TRK-FMZ240WS
4	GLC	81-85	FWD	Alum.				TRK-FMZ180	TRK-FMZ180WS1
5	GLC-5F	77-82	RWD	Alum.				TRK-FMZ250	TRK-FMZ250WS
5	GLC-5F	81-85	FWD	Alum.				TRK-FMZ180	TRK-FMZ180WS
Miata									
5	M15M-D	90-94	RWD	Alum.				TRK-FMZ300	TRK-FMZ300WS
5	M15M-D	95-04	RWD	Alum.			3 Pc. 2nd Gear Synchro Ring	TRK-FMZ300	TRK-FMZ300WS1
6	Y16M-D	99-04	RWD	Alum.				TRK-FMZ400	TRK-FMZ400WS
MX3									
5	F5M-R	92	FWD	Alum.		4 Cyl		TRK-FMZ130	TRK-FMZ130WS
5	G5M-R	92	FWD	Alum.		6 Cyl		TRK-FMZ150	TRK-FMZ150WS
5	F25M-R	93-95	FWD	Alum.		4 Cyl		TRK-FMZ130	TRK-FMZ130WS
5	G25M-R	93-95	FWD	Alum.		6 Cyl		TRK-FMZ150	TRK-FMZ150WS
MX6									
5	H5M-R,G25M-R	88-02	FWD	Alum.				TRK-FMZ150	TRK-FMZ150WS
5	MX6	88-92	FWD	Alum.		Turbo		TRK-FMZ170	TRK-FMZ170WS
Navajo									
5	M5R1	91-94	4x4	Alum.				TRK-247	TRK-247WS1
Protégé									
5	F25M-R	92-03	FWD	Alum.		1.5L, 1.6L SOHC		TRK-FMZ130	TRK-FMZ130WS
5	G25M-R	92-98	FWD	Alum.		1.8L DOHC		TRK-FMZ150	TRK-FMZ150WS
5	G15M-R	01-3/15/02	FWD	Alum.		2.0L		TRK-FMZ380	TRK-FMZ380WS
5	G15M-R	3/16/02-03	FWD	Alum.		2.0L		TRK-FMZ390	TRK-FMZ390WS
RX7									
5	R Type	79-80	RWD	Alum.			Single Ball Front C/S Brg.	TRK-FMZ100	TRK-FMZ100WS
5	R Type	79-80	RWD	Alum.			Double Ball Front C/S Brg.	TRK-FMZ110	TRK-FMZ110WS
5	R Type	81-85	RWD	Alum.			Single Ball Front C/S Brg.	TRK-FMZ120	TRK-FMZ120WS
5	R Type	81-85	RWD	Alum.			Double Ball Front C/S Brg.	TRK-FMZ200	TRK-FMZ200WS
5	R Type	86-88	RWD	Alum.			Single Ball Front C/S Brg.	TRK-FMZ120	TRK-FMZ120WS1
5	R Type	86-88	RWD	Alum.			Double Ball Front C/S Brg.	TRK-FMZ200	TRK-FMZ200WS1
5	R5M-D	89-92	RWD	Alum.			Single Ball Front C/S Brg.	TRK-FMZ120	TRK-FMZ120WS2
5	R5M-D	89-92	RWD	Alum.			Double Ball Front C/S Brg.	TRK-FMZ200	TRK-FMZ200WS2
5	R5M-D	87-92	RWD	Alum.		Turbo		TRK-FMZ210	TRK-FMZ210WS
5	R15M-D	93-95	RWD	Alum.		Turbo		TRK-FMZ210	TRK-FMZ210WS1

Light Duty Transmission Rebuild Kit Applications

Mazda CONTINUED

Speeds	Model #	Year	FWD/RWD	Case	Casting #	Engine	Notes	Kit	w/ Synchronizer Rings
Truck									
4	CR1	74-81	2WD & 4x4	Alum.			Case Splits Lengthwise	TRK-F100	TRK-F100WS
5	CR2	74-81	2WD & 4x4	Alum.			Alum. Bottom Pan	TRK-F110	TRK-F110WS
Truck B2000									
4	B4	79-84	2WD & 4x4	Alum.				TRK-FMZ290	TRK-FMZ290WS
5	B2000	79-84	2WD & 4x4	Alum.			Single Ball Front C/S Brg.	TRK-FMZ100	TRK-FMZ100WS
5	B2000	79-84	2WD & 4x4	Alum.			Double Ball Front C/S Brg.	TRK-FMZ110	TRK-FMZ110WS
Truck B2200									
5	B2200	86-90	2WD & 4x4	Alum.			Single Ball Front C/S Brg.	TRK-FMZ120	TRK-FMZ120WS
5	B2200	86-90	2WD & 4x4	Alum.			Double Ball Front C/S Brg.	TRK-FMZ200	TRK-FMZ200WS
5	B2200	90-93	2WD & 4x4	Alum.			Double Ball Front C/S Brg.	TRK-FMZ200	TRK-FMZ200WS2
Truck B2300									
5	M5R1	94-00	2WD & 4x4	Alum.				TRK-247	TRK-247WS1
Truck B2600									
5	B2600	87-93	2WD & 4x4	Alum.				TRK-FMZ210	TRK-FMZ210WS
Truck B3000									
5	M5R1	94-00	2WD & 4x4	Alum.				TRK-247	TRK-247WS1
Truck B4000									
5	M5R1	94-00	2WD & 4x4	Alum.				TRK-247	TRK-247WS1
Van									
5	B5V	88-On	RWD	Alum.				TRK-FMZ210	TRK-FMZ210WS

Mitsubishi

Speeds	Model #	Year	FWD/RWD	Case	Casting #	Engine	Notes	Kit	w/ Synchronizer Rings
3000GT									
5	F5M33	4/90-11/90	FWD	Alum.		3.0L	Fiber Lined 1-2 Rings	TRK-FM180	TRK-FM180WS
5	F5M33	12/90-4/91	FWD	Alum.		3.0L	Brass 1-2 Rings	TRK-FM180	TRK-FM180WS1
5	F5M33	5/91-5/92	FWD	Alum.		3.0L	3 Piece 2nd Ring	TRK-FM180	TRK-FM180WS2
5	F5M33	6/92-4/93	FWD	Alum.		3.0L	3 Piece 2nd Ring	TRK-FM180	TRK-FM180WS3
5	F5M33	5/93-12/99	FWD	Alum.		3.0L	3 Piece 2nd Ring	TRK-FM180	TRK-FM180WS4
5	W5MG1	91-93	4x4	Alum.		3.0L Turbo		TRK-FM250	TRK-FM250WS
6	W6MG1	94-99	4x4	Alum.		3.0L Turbo		TRK-FM530	TRK-FM530WS
	W5MG1	91-92		Alum.			Transfer Case Section Only Early 18 Spline O/S	TRK-FM280	
	W5MG1	92-999		Alum.			Transfer Case Section Only Late 18 Spline & All 25 Spline O/S	TRK-FM270	

Cordia

4	KM165	83-88	FWD	Alum.		1.8L	Ball Diff Brgs.	TRK-FC110	TRK-FC110WS1
5	KM162	83-88	FWD	Alum.		1.8L	Ball Diff Brgs.	TRK-FC110	TRK-FC110WS
5	KM163	83-88	FWD	Alum.		2.0L	Tapered Diff Brgs.	TRK-FM170	TRK-FM170WS
5	KM163	6/83-11/86	FWD	Alum.		1.8L Turbo	Tapered Diff Brgs.	TRK-FM170	TRK-FM170WS
8	KM166	83-88	FWD	Alum.		2.0L	Tapered Diff Brgs.	TRK-FM170	TRK-FM170WS

Eclipse

5	F5M22	90-92	FWD	Alum.		1.8L, 2.0L	3-4 Synchro Rings 30 Teeth	TRK-FM150	TRK-FM150WS1
5	F5M22	93-94	FWD	Alum.		1.8L, 2.0L	3-4 Synchro Rings 36 Teeth, Synchro Rev.	TRK-FM150	TRK-FM150WS2
5	F5MC1/ NVT350/A578	95-99	FWD	Alum.		2.0L	New Venture Transaxle	TRK-350	TRK-350WS
5	F5M31	96-99	FWD	Alum.		2.4L	3 Pc 2nd Synchro Ring, Synchro Rev.	TRK-FM180	TRK-FM180WS4

Light Duty Transmission Rebuild Kit Applications

Mitsubishi CONTINUED									
Speeds	Model #	Year	FWD/RWD	Case	Casting #	Engine	Notes	Kit	w/ Synchronizer Rings
Eclipse CONTINUED									
5	F5M33	5/88-93	FWD	Alum.		2.0L Turbo	Fiber Lined 1-2 Rings, Synchro Rev.	TRK-FM180	TRK-FM180WS
5	F5M33	94-99	FWD	Alum.		2.0L Turbo	3 Pc 2nd Synchro Ring, Synchro Rev.	TRK-FM180	TRK-FM180WS4
5	F5M42	00-On	FWD	Alum.		4 Cyl.		TRK-FM450	TRK-FM450WS
5	F5M51	00-04	FWD	Alum.		V-6		TRK-FM440	TRK-FM440WS
5	W5M33	90-4/91	4x4	Alum.		2.0L Turbo	Ball Diff Brgs. (Fiber Lined 1-2 Rings, Synchro Rev.)	TRK-FM160	TRK-FM160WS
5	W5M33	5/91-5/92	4x4	Alum.		2.0L Turbo	Ball Diff Brgs. (Brass 1-2 Rings, Synchro Rev.)	TRK-FM160	TRK-FM160WS1
5	W5M33	6/92-5/93	4x4	Alum.		2.0L Turbo	Ball Diff Brgs. (3 Pc. 2nd Synchro Ring, 24 Teeth 3-4 Rings, Synchro Rev.)	TRK-FM160	TRK-FM160WS2
5	W5M33	6/93-99	4x4	Alum.		2.0L Turbo	Ball Diff Brgs. (3 Pc. 2nd Synchro Ring, 39 Teeth 3-4 Rings, Synchro Rev.)	TRK-FM160	TRK-FM160WS3
	KM272	90-99					Transfer Case Section Only	TRK-FM350	
Expo									
5	F5M22	91-92	FWD	Alum.		1.8L		TRK-FM150	TRK-FM150WS1
5	F5M22	93-94	FWD	Alum.		1.8L		TRK-FM150	TRK-FM150WS3
5	F5M31	91-94	FWD	Alum.		2.4L		TRK-FM210	TRK-FM210WS
5	W5M31	91-94	4x4	Alum.		1.8L	Transfer Case Section Not Included	TRK-FM240	TRK-FM240WS
5	W5M33	91-92	4x4	Alum.		2.4L	Transfer Case Section Not Included	TRK-FM290	TRK-FM290WS
Galant									
5	F5M22	88-93	FWD	Alum.		2.0L		TRK-FM150	TRK-FM150WS1
5	F5M22	90-92	FWD	Alum.		2.0L Turbo		TRK-FM150	TRK-FM150WS1
5	F5M33	88-92	FWD	Alum.		2.0L Turbo		TRK-FM210	TRK-FM210WS1
5	F5M31	94-98	FWD	Alum.		2.4L		TRK-FM500	TRK-FM500WS
5	W5M31	90-92	4x4	Alum.		2.0L	Taper Diff Brgs., Transfer Case Section Not Included	TRK-FM240	TRK-FM240WS
5	W5M33	91-92	4x4	Alum.		2.0L	Ball Diff Brgs., Transfer Case Section Not Included	TRK-FM160	TRK-FM160WS
Lancer									
5	F5M42	02-04	FWD	Alum.				TRK-FM490	TRK-FM490WS1
Mirage									
4	KM161	85-5/86	FWD	Alum.		1.5L		TRK-FM390	TRK-FM390WS
4	KM200	6/86-92	FWD	Alum.		1.5L		TRK-FM100	TRK-FM100WS1
5	KM162	85-5/86	FWD	Alum.		1.5L		TRK-FC110	TRK-FC110WS
5	KM163	85-5/86	FWD	Alum.		1.6L Turbo		TRK-FM170	TRK-FM170WS
5	KM201	6/86-92	FWD	Alum.		1.5L		TRK-FM100	TRK-FM100WS
5	KM206	6/86-On	FWD	Alum.		1.6L Turbo		TRK-FM150	TRK-FM150WS
5	KM210	89-92	FWD	Alum.		1.6L Turbo		TRK-FM210	TRK-FM210WS
5	F5M21	93-96	FWD	Alum.		1.5L		TRK-FM460	TRK-FM460WS
5	F5M22	93-96	FWD	Alum.		1.8L		TRK-FM470	TRK-FM470WS
5	F5M41	97-02	FWD	Alum.		1.5L		TRK-FM480	TRK-FM480WS
5	F5M42	97-02	FWD	Alum.		1.8L		TRK-FM490	TRK-FM490WS
Montero									
5	LD42G	1/83-3/86	2WD	Alum.			Steel Bottom Pan (6307 I/S Brg.)	TRK-FM110	TRK-FM110WS
5	LD42GL	4/86-On	2WD	Alum.			Steel Bottom Pan (TMSC0788N I/S Brg.)	TRK-FM130	TRK-FM130WS
5	R5M21	97-99	2WD	Alum.				TRK-FM130	TRK-FM130WS1
5	V5MT2	5/88-4/89	4x4	Alum.		V6	Brass Synchro Rings	TRK-FM200	TRK-FM200WS
5	V5MT2	5/89-9/91	4x4	Alum.		V6	Fiber Lined 1-4 Gear Syncho Rings	TRK-FM200	TRK-FM200WS1
5	V5MT2	10/91-00	4x4	Alum.		V6	3 Pc. 1-2 Gear Synchro Rings	TRK-FM200	TRK-FM200WS2

Light Duty Transmission Rebuild Kit Applications

Mitsubishi CONTINUED

Speeds	Model #	Year	FWD/RWD	Case	Casting #	Engine	Notes	Kit	w/ Synchronizer Rings
Montero Sport									
5	R5M21	97-2/98		Alum.		4 Cyl.		TRK-FM500	TRK-FM500WS
5	R5M21	2/98-99		Alum.		4 Cyl.		TRK-FM510	TRK-FM510WS
5	V5MT1	97-99		Alum.		V6		TRK-FM520	TRK-FM520WS
Precis									
4	KM200	88-92	FWD	Alum.				TRK-FM100	TRK-FM100WS1
5	KM162	1/87-4/89	FWD	Alum.		1.8L		TRK-FC110	TRK-FC110WS
5	KM201	88-92	FWD	Alum.		1.5L		TRK-FM100	TRK-FM100WS
Raider									
5	KM145-1	85-87	4x4	Alum.		4 Cyl.	6307 I/S Brg.	TRK-FM110	TRK-FM110WS
5	KM145-9	87-On	4x4	Alum.		4 Cyl.	TMSC0788N I/S Brg.	TRK-FM130	TRK-FM130WS
5	V5MT2	86-On	4x4	Alum.		V6		TRK-FM200	TRK-FM200WS
Starion									
5	KM132-B	84-87	RWD	Alum.			Without Intercooler	TRK-FM300	TRK-FM300WS
5	KM132-G	85-87	RWD	Alum.			With Intercooler, Steel Bottom Pan (TMSX0788 I/S Brg. w/ snap ring)	TRK-FM310	TRK-FM310WS
5	KM132-M	88-89	RWD	Alum.			With Intercooler, Alum. Bottom Pan (TMSX07B40 I/S Brg. w/ flange), Synchro Rev.	TRK-FM320	TRK-FM320WS
Tredia									
4	KM165	83-88	FWD	Alum.		1.8L	Ball Diff Brgs.	TRK-FC110	TRK-FC110WS1
5	KM162	83-88	FWD	Alum.		1.8L	Ball Diff Brgs.	TRK-FC110	TRK-FC110WS
5	KM163	83-88	FWD	Alum.		2.0L	Tapered Diff Brgs.	TRK-FM170	TRK-FM170WS
5	KM163	6/83-11/86	FWD	Alum.		1.8L Turbo	Tapered Diff Brgs.	TRK-FM170	TRK-FM170WS
8	KM166	83-88	FWD	Alum.		2.0L	Tapered Diff Brgs.	TRK-FM170	TRK-FM170WS
Truck									
4	KM130	81-85	2WD	Alum.				TRK-FM190	TRK-FM190WS
4	KM144	82-85	4x4	Alum.				TRK-FM190	TRK-FM190WS
5	KM132-8	82-88	2WD	Alum.		2.0L		TRK-FM140	TRK-FM140WS
5	KM132-9	82-88	2WD	Alum.		2.6L	6307 I/S Brg	TRK-FM110	TRK-FM110WS
5	KM132-9	87-96	2WD	Alum.		2.6L	F6307X1-1 I/S Brg	TRK-FM120	TRK-FM120WS
5	KM132-E	82-86	2WD	Alum.				TRK-FM110	TRK-FM110WS
5	KM145-1	82-86	4x4	Alum.				TRK-FM110	TRK-FM110WS
5	KM145-2	82-86	4x4	Alum.		Diesel		TRK-FM110	TRK-FM110WS
5	KM145-8	87-96	4x4	Alum.				TRK-FM120	TRK-FM120WS
5	V5MT2	86-96	4x4	Alum.		V6		TRK-FM200	TRK-FM200WS

Nissan

Speeds	Model #	Year	FWD/RWD	Case	Casting #	Engine	Notes	Kit	w/ Synchronizer Rings
200SX									
5	FS5W63A	77-79	RWD	Alum.			Tapered C/S Brgs.	TRK-FN350	TRK-FN350WS
5	FS5W71C	80-7/84	RWD	Alum.			2.200" O.D. Front C/S Ball Brg.	TRK-FN100	TRK-FN100WS
5	FS5W71M	7/84-8/87	RWD	Alum.			2.440" O.D. Front C/S Ball Brg.	TRK-FN110	TRK-FN110WS1
5	FS5W71S	8/87-On	RWD	Alum.		Turbo	3 Pc. 2nd Gear Synchro Ring & Non-Turbo	TRK-FN110	TRK-FN110WS2
210									
4	F4W60	75-82	RWD	Alum.				TRK-FN320	
5	FS5W60A	79-82	RWD	Alum.			1st Gear is Toward Dashboard	TRK-FN330	TRK-FN330WS
5	FS5W60L	76-79	RWD	Alum.			1st Gear is Toward Driver	TRK-FN340	

Light Duty Transmission Rebuild Kit Applications

Nissan CONTINUED									
Speeds	Model #	Year	FWD/RWD	Case	Casting #	Engine	Notes	Kit	w/ Synchronizer Rings
240SX CONTINUED									
5	FS5W71H	7/88-93	RWD	Alum.			2 Piece 2nd Gear Synchro Ring	TRK-FN110	TRK-FN110WS2
240Z									
4	F4W70B	70-73	RWD	Alum.				TRK-FN280	TRK-FN280WS
260Z									
4	F4W71B	74-80	RWD	Alum.				TRK-FN230	TRK-FN230WS
5	FS5W71A	74-80	RWD	Alum.			5th Gear Synchro Ring Not Included	TRK-FN100	TRK-FN100WS
280Z									
4	F4W71B	74-80	RWD	Alum.				TRK-FN230	TRK-FN230WS
5	FS5W71A	74-80	RWD	Alum.			5th Gear Synchro Ring Not Included	TRK-FN100	TRK-FN100WS
280ZX									
5	FS5W71C	81-7/83	RWD	Alum.				TRK-FN100	TRK-FN100WS
5	FS5R90A/T-5	83	RWD	Alum.	1352	Turbo	Borg Warner T-5	TRK-5NA	TRK-5NAWS
300ZX									
5	FS5R90A/T-5	84-86	RWD	Alum.	1352	Turbo	Borg Warner T-5	TRK-5N	TRK-5NWS
5	FS5R30A	9/86-2/89	RWD	Alum.		Single Turbo		TRK-FN150	TRK-FN150WS2
5	FS5R30A	2/89-89	RWD	Alum.		Non Turbo	3 Piece 2nd & 3rd Ring & Twin Turbo	TRK-FN150	TRK-FN150WS1
5	FS5W71N	7/83-8/87	RWD	Alum.				TRK-FN110	TRK-FN110WS1
5	FS5W71N	8/87-2/89	RWD	Alum.			2 Piece 2nd Gear Synchro Ring	TRK-FN110	TRK-FN110WS2
310									
4	RN4F30A	2/82-1/84	FWD	Alum.				TRK-FN130	TRK-FN130WS
5	RS5F30A	2/82-1/84	FWD	Alum.				TRK-FN130	TRK-FN130WS
510, 610, 710									
4	F4W63	70-81	RWD	Alum.				TRK-FN260	TRK-FN260WS
1200									
4	F4W56A	71-77	RWD	Alum.				TRK-FN310	
Altima									
5	RS5F50A	93-01	FWD	Alum.		2.4L DOHC		TRK-FN220	TRK-FN220WS
5	RS5F50V	93-01	FWD	Alum.		2.4L DOHC	Limited Slip Differential	TRK-FN470	TRK-FN470WS
5	RS5F51A	02-On	FWD	Alum.				TRK-FN600	TRK-FN600WS
6	RS6F51A	05-On	FWD	Alum.		SE-R		TRK-FN610	TRK-FN610WS
Axxess									
5	RS5F50A	90	2WD	Alum.			Two 32008 Diff Brgs.	TRK-FN120	TRKFN120WS1
5	RS5F50A	90	2WD	Alum.			One 32008 & One 32008J/1D-57407N Diff Brgs.	TRK-FN210	TRK-FN210WS
5	RS5F50V	90	4x4	Alum.				TRK-FN250	TRK-FN250WS
	TY10B	90		Alum.			Transfer Case Section	TRK-FN500	
Frontier									
5	FS5W71C	3/97-04	2WD	Alum.		4 Cyl.		TRK-FN530	TRK-FN530WS
5	FS5W71C	3/97-00	4x4	Alum.		4 Cyl.		TRK-FN540	TRK-FN540WS
5	FS5R30A	8/98-On	2WD & 4X4	Alum.		6 Cyl.		TRK-FN150	TRK-FN150WS11
Maxima									
5	FS5W71C	81-85	RWD	Alum.		2.4L		TRK-FN100	TRK-FN100WS
5	RS5F50A	85-90	FWD	Alum.		3.0L	One 32008 & One 32008J/1D-57407N Diff Brgs.	TRK-FN210	TRK-FN210WS
5	RS5F50A	85-3/86	FWD	Alum.		3.0L	Two 32008 Diff Brgs.	TRK-FN120	TRK-FN120WS
5	RS5F50A	4/86-87	FWD	Alum.		3.0L	Two 32008 Diff Brgs.	TRK-FN120	TRK-FN120WS2

Light Duty Transmission Rebuild Kit Applications



Nissan CONTINUED

Speeds	Model #	Year	FWD/RWD	Case	Casting #	Engine	Notes	Kit	w/ Synchronizer Rings
Maxima CONTINUED									
5	RS5F50A	88-90	FWD	Alum.		3.0L	Two 32008 Diff Brgs., Synchronized Rev.	TRK-FN120	TRK-FN120WS1
5	RS5F50A	91-92	FWD	Alum.		3.0L	Two 32008J/1D-57407N Diff Brgs.	TRK-FN220	TRK-FN220WS
5	RS5F50A	93-7/96	FWD	Alum.		3.0L		TRK-FN370	TRK-FN370WS
5	RS5F50V	93-7/96	FWD	Alum.		3.0L	Limited Slip Differential	TRK-FN380	TRK-FN380WS
5	RS5F50A	7/96-01	FWD	Alum.		3.0L		TRK-FN370	TRK-FN370WS1
5	RS5F50V	7/96-01	FWD	Alum.		3.0L	Limited Slip Differential	TRK-FN380	TRK-FN380WS1
6	RS6F51A	02-On	FWD			3.5L		TRK-FN580	TRK-FN580WS
Pathfinder									
5	FS5W71C	87	4x4	Alum.		4 Cyl.		TRK-FN160	TRK-FN160WS
5	FS5R30A	87-3/87	2WD & 4x4	Alum.		6 Cyl.		TRK-FN150	TRK-FN150WS6
5	FS5R30A	3/87-7/92	2WD & 4x4	Alum.		6 Cyl.		TRK-FN150	TRK-FN150WS7
5	FS5R30A	7/92-5/97	2WD & 4x4	Alum.		6 Cyl.		TRK-FN150	TRK-FN150WS8
5	FS5R30A	5/97-10/97	2WD & 4x4	Alum.		6 Cyl.		TRK-FN150	TRK-FN150WS9
5	FS5R30A	10/97-12/98	2WD & 4x4	Alum.		6 Cyl.		TRK-FN150	TRK-FN150WS10
5	FS5R30A	12/98-02	2WD & 4x4	Alum.		6 Cyl.		TRK-FN150	TRK-FN150WS11
Pulsar									
5	RS5F30A	83-86	FWD	Alum.		1.6L SOHC		TRK-FN130	TRK-FN130WS
5	RS5F31A	87-90	FWD	Alum.		1.6L SOHC		TRK-FN140	TRK-FN140WS
5	RS5F31A	87-88	FWD	Alum.		1.6L DOHC		TRK-FN440	TRK-FN440WS
5	RS5F31A	83-85	FWD	Alum.		1.5L Turbo		TRK-FN140	TRK-FN140WS
5	RS5F50A	88-90	FWD	Alum.		1.8L		TRK-FN120	TRK-FN120WS
Sentra									
4	RN4F30A	82-87	FWD	Alum.				TRK-FN130	TRK-FN130WS
4	RN4F31A	88-90	FWD	Alum.				TRK-FN140	TRK-FN140WS
4	RN4F31A	91-92	FWD	Alum.				TRK-FN170	TRK-FN170WS
4	RN4G30	82-87	FWD	Alum.		Diesel		TRK-FN130	TRK-FN130WS
5	RS5F30A	82-1/86	FWD	Alum.				TRK-FN130	TRK-FN130WS
5	RS5F31A	1/86-90	FWD	Alum.				TRK-FN140	TRK-FN140WS
5	RS5F31E	87-89	4x4	Alum.				TRK-FN420	TRK-FN420WS
5	RS5F31A	91-99	FWD			1.6L DOHC	Two 32010 Differential Brgs.	TRK-FN170	TRK-FN170WS
5	RS5F32V	91-99	FWD	Alum.		2.0L DOHC	With Limited Slip Differential, Uses One 32010 & One R8018 Differential Brg.	TRK-FN200	TRK-FN200WS
5	RS5F32V	91-99	FWD	Alum.		2.0L DOHC	With Limited Slip Differential, Uses Two 32010 Differential Brgs.	TRK-FN520	TRK-FN520WS
5	RS5F70A	00-02	FWD			1.8L DOHC		TRK-FN550	TRK-FN550WS
5	RS5F70A	00-01	FWD			2.0L DOHC		TRK-FN550	TRK-FN550WS
5	RS5F70V	00-01	FWD			2.0L DOHC		TRK-FN560	TRK-FN560WS
5	RS5F51A	02-06	FWD			2.5L DOHC		TRK-FN570	TRK-FN570WS
6	RS6F51A	02-06	FWD			2.5L DOHC		TRK-FN580	TRK-FN580WS
	TY10A	87-89		Alum.			Transfer Case Section Only	TRK-FN430	
Stanza Car									
5	RS5F31A	82-1/86	FWD	Alum.			3-1/2" Plate At Back	TRK-FN140	TRK-FN140WS
5	RS5F50A	1/86-90	FWD	Alum.			2" Plug At Back	TRK-FN120	TRK-FN120WS
5	RS5F50A	91-92	FWD	Alum.				TRK-FN220	TRK-FN220WS
5	RS5F50V	91-92	FWD	Alum.			Limited Slip Differential	TRK-FN470	TRK-FN470WS
	TY10	86-88		Alum.			Transfer Case Section Only	TRK-FN460	
Stanza Wagon									
5	RS5F50A	86-88	4x4	Alum.		2.0L		TRK-FN450	TRK-FN450WS
	TY10	86-88		Alum.			Transfer Case Section Only	TRK-FN460	

Light Duty Transmission Rebuild Kit Applications

Nissan CONTINUED

Speeds	Model #	Year	FWD/RWD	Case	Casting #	Engine	Notes	Kit	w/ Synchronizer Rings
Truck									
4	F4W63	67-73	2WD	Alum.				TRK-FN260	TRK-FN260WS
4	F4W71B	74-83	2WD	Alum.				TRK-FN230	TRK-FN230WS
4	F4W71B	80-83	4x4	Alum.				TRK-FN270	TRK-FN270WS
4	F4W71C	86-89	2WD	Alum.				TRK-FN270	TRK-FN110WS5
5	FS5W71A	74-80	2WD	Alum.			Does Not Include 5th Gear Crush Style Synchro Ring	TRK-FN100	TRK-FN100WS
5	FS5W71C	81-84	2WD	Alum.		4 Cyl.		TRK-FN100	TRK-FN100WS
5	FS5W71C	84-8/89	2WD	Alum.		4 Cyl.		TRK-FN110	TRK-FN110WS8
5	FS5W71C	8/89-7/93	2WD	Alum.		4 Cyl.		TRK-FN110	TRK-FN110WS9
5	FS5W71C	7/93-8/94	2WD	Alum.		4 Cyl.		TRK-FN110	TRK-FN110WS10
5	FS5W71C	8/94-1/96	2WD	Alum.		4 Cyl.		TRK-FN110	TRK-FN110WS11
5	FS5W71C	1/96-3/97	2WD	Alum.		4 Cyl.		TRK-FN110	TRK-FN110WS12
5	FS5W71C	3/97-97	2WD	Alum.		4 Cyl.		TRK-FN530	TRK-FN530WS
5	FS5W71C	81-84	4x4	Alum.		4 Cyl.		TRK-FN100	TRK-FN100WS
5	FS5W71C	84-6/86	4x4	Alum.		4 Cyl.		TRK-FN110	TRK-FN110WS13
5	FS5W71C	6/86-1/92	4x4	Alum.		4 Cyl.		TRK-FN190	TRK-FN190WS
5	FS5W71C	1/92-193	4x4	Alum.		4 Cyl.		TRK-FN190	TRK-FN190WS1
5	FS5W71C	1/93-3/97	4x4	Alum.		4 Cyl.		TRK-FN190	TRK-FN190WS2
5	FS5W71C	3/97-97	4x4	Alum.		4 Cyl.		TRK-FN540	TRK-FN540WS
5	FS5R30A	11/85-3/87	2WD & 4x4	Alum.		6 Cyl.		TRK-FN150	TRK-FN150WS7
5	FS5R30A	3/87-1/92	2WD & 4x4	Alum.		6 Cyl.		TRK-FN150	TRK-FN150WS8
5	FS5R30A	1/92-1/96	2WD & 4x4	Alum.		6 Cyl.		TRK-FN150	TRK-FN150WS11
Van									
5	FS5W71V	8/86-On	2WD	Alum.				TRK-FN110	TRK-FN110WS1
X-Terra									
5	FS5W71C	5/99-10/00	2WD	Alum.		4 Cyl.	Cylindrical Rear C/S Brg.	TRK-FN530	TRK-FN530WS
5	FS5W71C	10/00-9/02	2WD	Alum.		4 Cyl.	Ball Rear C/S Brg., 3 Piece 2nd & 3rd Synchro Ring	TRK-FN590	TRK-FN590WS1
5	FS5W71C	9/02-On	2WD	Alum.		4 Cyl.	Ball Rear C/S Brg., 1 Piece 2nd & 3rd Synchro Ring	TRK-FN590	TRK-FN590WS
5	FS5R30A	99-On	4x4	Alum.		6 Cyl.		TRK-FN150	TRK-FN150WS11

Saturn

Speeds	Model #	Year	FWD/RWD	Case	Casting #	Engine	Notes	Kit	w/ Synchronizer Rings
Ion									
5	Ion	03-04	FWD	Alum.				TRK-FG140	TRK-FG140WS
L Series									
5	L Series	02-03	FWD	Alum.				TRK-FG130	TRK-FG130WS
S Series									
5	S Series	91-On	FWD	Alum.				TRK-FG120	TRK-FG120WS
Vue									
5	Vue	02-03	FWD	Alum.				TRK-FG140	TRK-FG140WS

Light Duty Transmission Rebuild Kit Applications



Sterling

Speeds	Model #	Year	FWD/RWD	Case	Casting #	Engine	Notes	Kit	w/ Synchronizer Rings
Sterling									
5	C3	88-91	FWD	Alum.				TRK-FH190	TRK-FH190WS

Suzuki

Speeds	Model #	Year	FWD/RWD	Case	Casting #	Engine	Notes	Kit	w/ Synchronizer Rings
Esteem									
5	EST	96-99	FWD	Alum.		1.6L		TRK-FS110	TRK-FS110WS
		99-On	FWD	Alum.		1.8L		TRK-FS160	TRK-FS160WS

Samurai

5	SAM	86-95	4x4	Alum.				TRK-FS100	TRK-FS100WS
---	-----	-------	-----	-------	--	--	--	-----------	-------------

Sidekick

5	SIDE	91-98	2WD	Alum.				TRK-FS130	TRK-FS130WS
5	SIDE	87-98	4x4	Alum.				TRK-FS130	TRK-FS130WS
5	SIDE	99-01	2WD & 4x4	Alum.				TRK-FS150	TRK-FS150WS

Swift

5	SWIFT	89-01	FWD	Alum.				TRK-FS110	TRK-FS110WS
---	-------	-------	-----	-------	--	--	--	-----------	-------------

X-90

5	X-90	95-On	FWD	Alum.				TRK-FS130	TRK-FS130WS
---	------	-------	-----	-------	--	--	--	-----------	-------------

Toyota

Speeds	Model #	Year	FWD/RWD	Case	Casting #	Engine	Notes	Kit	w/ Synchronizer Rings
4-Runner									
5	G52	84-8/88	4x4	Alum.		Gas or Diesel	B32-14 I/S Brg, Nut On End of C/S	TRK-FT140	TRK-FT140WS
5	G52	84-8/88	4x4	Alum.		Gas or Diesel	32TM03 I/S Brg, Nut On End of C/S	TRK-FT130	TRK-FT130WS
5	G58	8/88-8/90	2WD & 4x4	Alum.		EFI Gas or Diesel	Snap Ring On End of C/S	TRK-FT190	TRK-FT190WS
5	R150	4/89-3/94	4x4	Alum.		V6		TRK-FT200	TRK-FT200WS3
5	R150	3/94-4/94	4x4	Alum.		V6	Changes to Triangular Teeth on 3rd Gear Synchro	TRK-FT200	TRK-FT200WS4
5	R150	4/94-5/94	4x4	Alum.		V6	Changes to Anti-Rotation Tabs on 1/2 Gear Synchro	TRK-FT200	
5	R150	5/94-11/95	4x4	Alum.		V6	Changes to 30T 5th Gear Synchro	TRK-FT340	
5	R150	11/95-1/98	4x4	Alum.		V6	w/ 1 Pc. 2nd Gear Synchro & 33T 5th Gear Synchro	TRK-FT340	TRK-FT340WS3
5	R150	11/95-8/00	4x4	Alum.		V6	w/ 3 Pc. 2nd Gear Synchro	TRK-FT340	TRK-FT340WS5
5	W56	8/84-10/91	4x4	Alum.		4 Cyl.		TRK-FT150	TRK-FT150WS
5	W56	8/84-10/91	4x4	Alum.		4 Cyl.	w/ Toyota input shaft update (see Note 1)	TRK-FT230	TRK-FT230WS
5	W56	10/91-8/92	4x4	Alum.		4 Cyl.		TRK-FT210	TRK-FT210WS4
5	W56	8/92-11/95	4x4	Alum.		4 Cyl.		TRK-FT210	TRK-FT210WS5
5	W59	11/95-10/96	4x4	Alum.		4 Cyl.		TRK-FT210	TRK-FT210WS6
5	W59	10/96-8/00	4x4	Alum.		4 Cyl.		TRK-FT210	TRK-FT210WS7

Note 1: Toyota I/S update uses conversion brg HR6307NX-35TM11 on I/S, this brg has 21mm wide outer race and 23mm wide inner race. If 1st, 2nd or 3rd gears were also updated, contact Toyota dealer for updated 1st, 2nd or 3rd gear synchro rings.

Camry

5	E52	2/88-6/91	FWD	Alum.		6 Cyl.		TRK-FT530	TRK-FT530WS
5	E52	6/91-8/93	FWD	Alum.		6 Cyl.		TRK-FT520	Obsolete
5	E52	8/93-On	FWD	Alum.		6 Cyl.		TRK-FT520	TRK-FT520WS1
5	E56	10/87-On	4x4	Alum.				TRK-FT540	TRK-FT540WS

Light Duty Transmission Rebuild Kit Applications

Toyota CONTINUED

Speeds	Model #	Year	FWD/RWD	Case	Casting #	Engine	Notes	Kit	w/ Synchronizer Rings
Camry <small>CONTINUED</small>									
5	S51	1/83-4/84	FWD	Alum.		4 Cyl.		TRK-FT560	TRK-FT560WS
5	S51	4/84-6/91	FWD	Alum.		4 Cyl.		TRK-FT280	TRK-FT280WS
5	S51	6/91-8/92	FWD	Alum.		4 Cyl.		TRK-FT330	TRK-FT330WS
5	S51	8/92-96	FWD	Alum.		4 Cyl.		TRK-FT330	TRK-FT330WS1
5	S51	97-01	FWD	Alum.		4 Cyl.		TRK-FT880	TRK-FT880WS
5	E351	02-05	FWD	Alum.		4 Cyl.		TRK-FT840	TRK-FT840WS
5	E153	97-99	FWD	Alum.		6 Cyl.		TRK-FT830	TRK-FT830WS
5	E153	00-01	FWD	Alum.		6 Cyl.		TRK-FT830	TRK-FT830WS1

Celica

4	W40	72-80	RWD	Iron				TRK-FT370	TRK-FT370WS
5	C52	9/89-4/91	FWD	Alum.		1.6L		TRK-FT320	TRK-FT320WS1
5	C52	4/91-8/93	FWD	Alum.		1.6L		TRK-FT320	TRK-FT320WS2
5	C52	9/93-99	FWD	Alum.		1.8L		TRK-FT570	TRK-FT570WS
5	C56	00-1/03	FWD	Alum.		1.8L		TRK-FT810	TRK-FT810WS1
5	C56	1/03-05	FWD	Alum.		1.8L		TRK-FT810	TRK-FT810WS
5	E50	86-0n	4x4	Alum.				TRK-FT610	TRK-FT610WS
5	S53	85-9/89	FWD	Alum.		2.0L		TRK-FT280	TRK-FT280WS
5	S53	9/89-9/93	FWD	Alum.		2.2L		TRK-FT330	TRK-FT330WS
5	S54	9/93-99	FWD	Alum.		2.2L		TRK-FT580	TRK-FT580WS
5	W50	72-80	RWD	Iron				TRK-FT100	TRK-FT100WS
5	W55	81-84	RWD	Alum.				TRK-FT150	TRK-FT150WS
5	W58	81-84	RWD	Alum.				TRK-FT150	TRK-FT150WS
6	C60	00-05	FWD	Alum.		1.8L	GT-S	TRK-FT790	TRK-FT790WS

Corolla

4	K40	70-75	RWD	Iron				TRK-FT630	TRK-FT630WS1
4	K40	75-81	RWD	Iron				TRK-FT640	TRK-FT640WS1
4	T40	71-6/81	RWD	Iron				TRK-FT650	TRK-FT650WS
4	T41	71-6/81	RWD	Iron				TRK-FT650	TRK-FT650WS
5	C50, C51, C52	8/83-8/86	FWD	Alum.				TRK-FT270	TRK-FT270WS
5	C50, C51, C52	8/83-4/84	FWD	Alum.		Diesel		TRK-FT620	TRK-FT620WS
5	C50, C51, C52	4/84-8/85	FWD	Alum.		Diesel		TRK-FT280	TRK-FT280WS
5	C50, C51, C52	8/86-6/92	FWD	Alum.				TRK-FT320	TRK-FT320WS
5	C50, C51, C52	93-94	FWD	Alum.		1.6L, 1.8L		TRK-FT590	TRK-FT590WS
5	C50, C51, C52	95-97	FWD	Alum.		1.6L, 1.8L		TRK-FT590	TRK-FT590WS1
5	C59	98-99	FWD	Alum.				TRK-FT780	TRK-FT780WS1
5	C59	00-02	FWD	Alum.				TRK-FT780	TRK-FT780WS
5	C59	03-1/03	FWD	Alum.		1.8L	XR	TRK-FT900	TRK-FT900WS
5	C59	1/03-06	FWD	Alum.		1.8L	XR	TRK-FT900	TRK-FT900WS1
5	E57	2/88-0n	4x4	Alum.				TRK-FT410	TRK-FT410WS
5	K50	70-75	RWD	Iron				TRK-FT630	TRK-FT630WS
5	K50	75-81	RWD	Iron				TRK-FT640	TRK-FT640WS
5	T50	72-6/81	RWD	Iron				TRK-FT660	TRK-FT660WS
5	T50A	6/81-4/83	RWD	Alum.				TRK-FT250	TRK-FT250WS
5	T51	4/83-86	RWD	Alum.				TRK-FT670	TRK-FT670WS

Corona

4	W40	72-8/80	RWD	Iron				TRK-FT370	TRK-FT370WS
5	W50	72-8/80	RWD	Iron				TRK-FT100	TRK-FT100WS
5	W55	8/80-0n	RWD	Alum.				TRK-FT150	TRK-FT150WS

Cressida

5	W50	78-8/82	RWD	Iron				TRK-FT100	TRK-FT100WS
5	W58	8/82-0n	RWD	Alum.				TRK-FT150	TRK-FT150WS

Light Duty Transmission Rebuild Kit Applications

Toyota CONTINUED

Speeds	Model #	Year	FWD/RWD	Case	Casting #	Engine	Notes	Kit	w/ Synchronizer Rings
Echo									
5	C150	00-05	FWD	Alum.				TRK-FT850	TRK-FT850WS
Landcruiser									
3	J30	58-73	4x4	Iron			Countershaft & Idler Shaft Needles Not Included	TRK-FT480	
4	H41	73-80	4x4	Iron				TRK-FT290	
4	H42	81-4/86	4x4	Iron				TRK-FT310	
4	H42	4/86-On	4x4	Iron				TRK-FT470	
Matrix									
5	C59	03-1/03	FWD	Alum.		1.8L	XR	TRK-FT900	TRK-FT900WS
5	C59	1/03-06	FWD	Alum.		1.8L	XR	TRK-FT900	TRK-FT900WS1
6	C60	03-05	FWD	Alum.		1.8L	XRS	TRK-FT790	TRK-FT790WS
MR2									
5	C52	8/83-8/86	RWD	Alum.				TRK-FT270	TRK-FT270WS
5	C52	8/86-1/90	RWD	Alum.				TRK-FT320	TRK-FT320WS
5	S54	1/90-8/92	RWD	Alum.				TRK-FT330	TRK-FT330WS
5	S54	8/92-95	RWD	Alum.		2.2L		TRK-FT330	TRK-FT330WS1
5	E51	8/87-3/88	RWD	Alum.				TRK-FT510	TRK-FT510WS
5	E51	4/88-1/90	RWD	Alum.		1.6L		TRK-FT550	TRK-FT550WS
5	E51	88-2/28/88	RWD	Alum.		1.6L		TRK-FT870	TRK-FT870WS1
5	E51	3/88-1/90	RWD	Alum.		1.6L	Supercharged	TRK-FT870	TRK-FT870WS
5	E153	1/90-1/92	RWD	Alum.			Turbo	TRK-FT520	Obsolete
5	E153	1/92-8/93	RWD	Alum.			Turbo	TRK-FT520	TRK-FT520WS1
5	E153	8/93-95	RWD	Alum.			Turbo	TRK-FT520	TRK-FT520WS2
5	S54	1/90-1/92	RWD	Alum.			Twin Cam	TRK-FT520	Obsolete
5	C56	00-1/03	FWD	Alum.		1.8L		TRK-FT810	TRK-FT810WS1
5	C56	1/03-05	FWD	Alum.		1.8L		TRK-FT810	TRK-FT810WS
5	C56M	01-02	FWD	Alum.		1.8L	Sequential Manual T/M - No Clutch Pedal	TRK-FT810	TRK-FT810WS2
6	C65	03-05	FWD	Alum.				TRK-FT790	TRK-FT790WS
Paseo									
5	C150	92-97	FWD	Alum.		1.5L		TRK-FT430	TRK-FT430WS2
Previa									
5	G57	90-97	2WD & 4x4	Alum.				TRK-FT190	TRK-FT190WS
5	G59	90-97	2WD & 4x4	Alum.				TRK-FT190	TRK-FT190WS
RAV4									
5	E250	96-00	4x4	Alum.				TRK-FT410	TRK-FT410WS1
5	E352	01-On	2WD	Alum.				TRK-FT890	TRK-FT890WS
5	E352	01-On	4x4	Alum.				TRK-FT800	TRK-FT800WS
Solara									
5	S51	99-01	FWD	Alum.		4 Cyl.		TRK-FT880	TRK-FT880WS
5	E351	02-05	FWD	Alum.		4 Cyl.		TRK-FT840	TRK-FT840WS
5	E153	99	FWD	Alum.		6 Cyl.		TRK-FT830	TRK-FT830WS
Starlett									
4	K40	83-84	RWD	Alum.				TRK-FT710	TRK-FT710WS1
5	K50	81-84	RWD	Alum.				TRK-FT710	TRK-FT710WS
Supra									
5	W50	79-81	RWD	Alum.				TRK-FT100	TRK-FT100WS
5	W58	82-5/93	RWD	Alum.				TRK-FT150	TRK-FT150WS
5	W58	5/93-98	RWD	Alum.			21mm Wide M/S Front Brg.	TRK-FT210	TRK-FT210WS4
5	R154	85-5/93	RWD	Alum.			23mm Wide M/S Front Brg.	TRK-FT200	TRK-FT200WS

Light Duty Transmission Rebuild Kit Applications

Toyota CONTINUED

Speeds	Model #	Year	FWD/RWD	Case	Casting #	Engine	Notes	Kit	w/ Synchronizer Rings
Tercel									
4	Z41, Z44, Z46	78-7/86	FWD	Alum.				TRK-FT680	TRK-FT680WS
4	C140	8/86-On	FWD	Alum.				TRK-FT430	TRK-FT430WS1
5	C150	8/86-9/94	FWD	Alum.				TRK-FT430	TRK-FT430WS
5	C151	9/94-98	FWD	Alum.		1.5L		TRK-FT430	TRK-FT430WS2
5	Z51, Z52, Z53	80-9/82	4x4	Alum.				TRK-FT690	TRK-FT690WS
5	Z51, Z52, Z53	10/82-88	4x4	Alum.				TRK-FT690	TRK-FT690WS1
6	Z52F, Z54F	83-88	4x4	Alum.				TRK-FT700	TRK-FT700WS
	Front Diff. Section	80-88	FWD					TRK-FT730	
	Front Diff. Section	83-88	4x4					TRK-FT720	

Truck

4	G40	83-On	2WD	Alum.			B32-14 I/S Brg	TRK-FT140	TRK-FT140WS
4	G40	83-On	2WD	Alum.			32TM03 I/S Brg	TRK-FT130	TRK-FT130WS
4	L40	69-11/71	2WD	Iron			Side Load Case, Countershaft Needles Not Included	TRK-FT460	TRK-FT460WS
4	L42	72-8/74	2WD	Iron			Side Load Case, 0.69" Countershaft	TRK-FT450	TRK-FT450WS
4	L43	8/74-80	2WD & 4x4	Iron			Side Load Case, 0.75" Countershaft	TRK-FT350	TRK-FT350WS
4	L45	80-84	2WD & 4x4	Iron			B32-14 I/S Brg, Alum Top Cover	TRK-FT120	TRK-FT120WS
4	L45	80-84	2WD & 4x4	Iron			032-2 I/S Brg, Alum Top Cover	TRK-FT220	TRK-FT220WS
4	L45	80-84	2WD & 4x4	Iron			63/32 I/S Brg, Alum Top Cover	TRK-FT110	TRK-FT110WS
4	W40	71-86	2WD	Alum.				TRK-FT370	TRK-FT370WS
4	W46	84-On	2WD	Alum.				TRK-FT380	TRK-FT380WS
5	G52	8/82-8/88	2WD & 4x4	Alum.			B32-14 I/S Brg, Nut On End of C/S	TRK-FT140	TRK-FT140WS
5	G52	8/82-8/88	2WD & 4x4	Alum.			32TM03 I/S Brg, Nut On End of C/S	TRK-FT130	TRK-FT130WS
5	G58	8/88-8/90	2WD & 4x4	Alum.			Snap Ring On End of C/S	TRK-FT190	TRK-FT190WS
5	L52	80-84	2WD & 4x4	Iron			B32-14 I/S Brg	TRK-FT120	TRK-FT120WS
5	L52	80-84	2WD & 4x4	Iron			032-2 I/S Brg	TRK-FT220	TRK-FT220WS
5	L52	80-84	2WD & 4x4	Iron			63/32 I/S Brg	TRK-FT110	TRK-FT110WS
5	R150	8/85-8/88	2WD & 4x4	Alum.		V6 or 4 Cyl. Turbo		TRK-FT200	TRK-FT200WS2
5	R150	8/88-12/94	2WD & 4x4	Alum.		V6		TRK-FT200	TRK-FT200WS3
5	R151	8/85-8/88	2WD & 4x4	Alum.		V6 or 4 Cyl. Turbo		TRK-FT200	TRK-FT200WS2
5	W50	74-86	2WD	Alum.				TRK-FT100	TRK-FT100WS
5	W55	8/85-10/91	2WD & 4x4	Alum.		4 Cyl.		TRK-FT150	TRK-FT150WS
5	W55	8/85-10/91	2WD & 4x4	Alum.		4 Cyl.	w/Toyota input shaft update (see Note 1)	TRK-FT230	TRK-FT230WS
5	W55	10/91-8/92	2WD & 4x4	Alum.		4 Cyl.		TRK-FT210	TRK-FT210WS4
5	W55	8/92-12/94	2WD & 4x4	Alum.		4 Cyl.		TRK-FT210	TRK-FT210WS5
5	W56	84-10/91	2WD & 4x4	Alum.		4 Cyl.		TRK-FT150	TRK-FT150WS
5	W56	84-10/91	2WD & 4x4	Alum.		4 Cyl.	w/Toyota input shaft update (see Note 1)	TRK-FT230	TRK-FT230WS
5	W56	10/91-8/92	2WD & 4x4	Alum.		4 Cyl.		TRK-FT210	TRK-FT210WS4
5	W56	8/92-12/94	2WD & 4x4	Alum.		4 Cyl.		TRK-FT210	TRK-FT210WS5

Note 1: Toyota I/S update uses conversion brg HR6307NX-35TM11 on I/S, this brg has 21mm wide outer race and 23mm wide inner race. If 1st, 2nd or 3rd gears were also updated, contact Toyota dealer for updated 1st, 2nd or 3rd gear synchro rings.

T100

5	R150	92-3/93	2WD & 4x4	Alum.		V6		TRK-FT200	TRK-FT200WS3
5	R150	3/93-4/94	2WD & 4x4	Alum.		V6		TRK-FT200	TRK-FT200WS4
5	R150	4/94-8/94	2WD & 4x4	Alum.		V6		TRK-FT200	TRK-FT200WS5
5	R150	8/94-96	2WD & 4x4	Alum.		V6		TRK-FT340	TRK-FT340WS3
5	W56	10/93-95	2WD	Alum.		4 Cyl.		TRK-FT210	TRK-FT210WS6

Light Duty Transmission Rebuild Kit Applications



Toyota CONTINUED

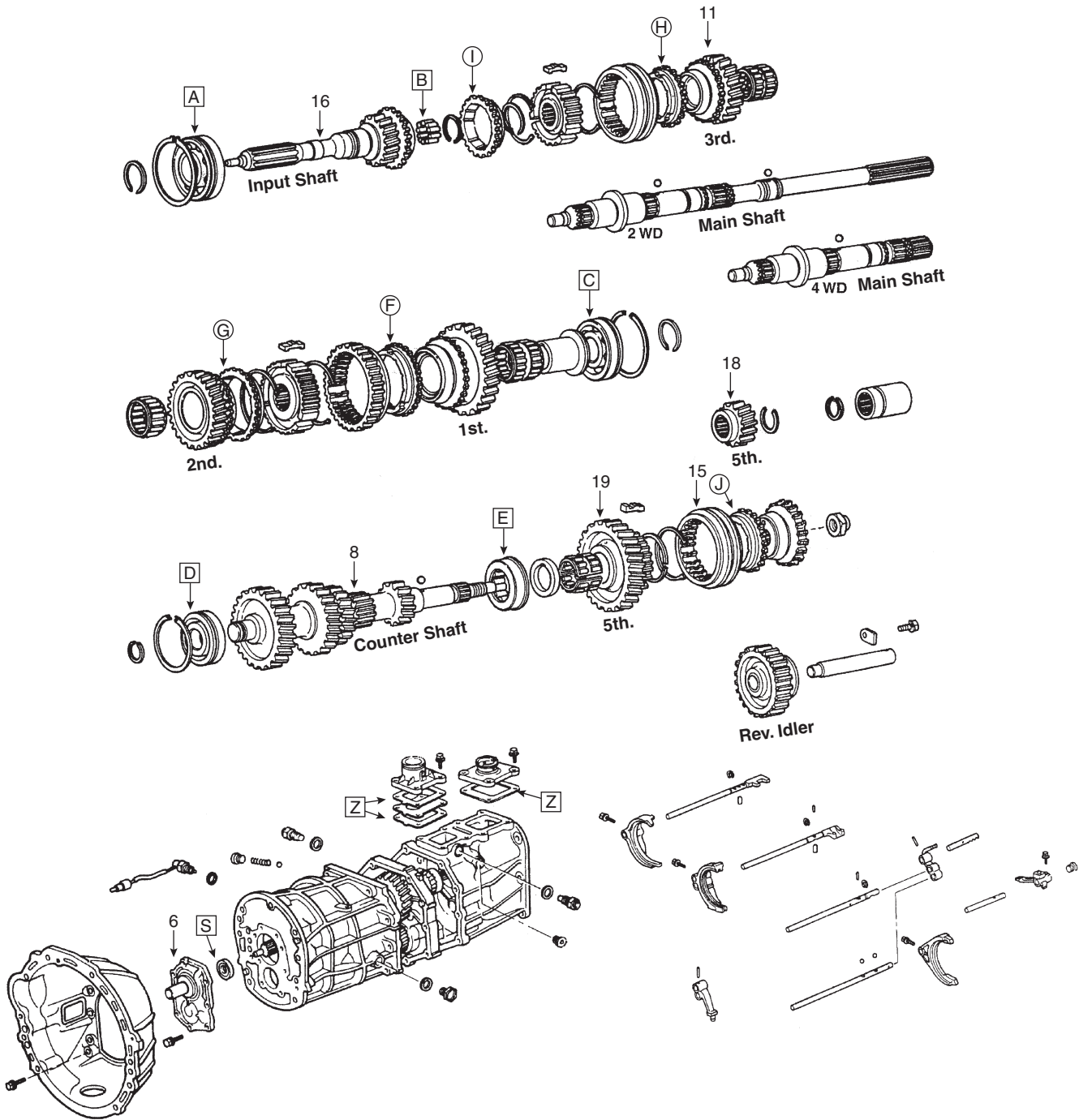
Speeds	Model #	Year	FWD/RWD	Case	Casting #	Engine	Notes	Kit	w/ Synchronizer Rings
Tacoma									
5	R150	95-01	2WD	Alum.		V6		TRK-FT340	TRK-FT340WS7
5	R150	95-4/96	4x4	Alum.		V6		TRK-FT340	TRK-FT340WS4
5	R150	4/96-9/00	4x4	Alum.		V6		TRK-FT340	TRK-FT340WS5
5	R150	9/00-02	4x4	Alum.		V6		TRK-FT340	TRK-FT340WS6
5	W59	95-7/01	2WD	Alum.		4 Cyl.		TRK-FT210	TRK-FT210WS5
5	W59	7/01-02	2WD	Alum.		4 Cyl.		TRK-FT210	TRK-FT210WS9
5	W59	95-10/96	4X4	Alum.		4 Cyl.		TRK-FT210	TRK-FT210WS6
5	W59	10/96-7/01	4X4	Alum.		4 Cyl.		TRK-FT210	TRK-FT210WS7
5	W59	7/01-02	4X4	Alum.		4 Cyl.		TRK-FT210	TRK-FT210WS8
Tundra									
5	R150	99-02	2WD	Alum.		V6		TRK-FT340	TRK-FT340WS6
Van									
5	G53	83-89	2WD & 4x4	Alum.			Nut On End of C/S	TRK-FT440	TRK-FT440WS
5	G57	90-97	2WD & 4x4	Alum.			Snap Ring On End of C/S	TRK-FT190	TRK-FT190WS
5	G59	90-97	2WD & 4x4	Alum.			Snap Ring On End of C/S	TRK-FT190	TRK-FT190WS

Visit our web site at:
www.dtcomponents.com
for product and catalog updates.

Transmission Gearing & Related Parts

Aisin Warner AX5 and AX15

Aisin Warner AX5 and AX15



□ = Contained in all kits.

○ = Contained in WS (With Synchros) kits.

△ = Contained in N (With Needle Brgs.) kits.

References to original equipment part numbers are for cross reference and identification purpose only.

Transmission Gearing & Related Parts

Aisin Warner AX5

Position	Description	Specifications	Applications	Part Number
6	Front Bearing Retainer	w/Snout		83502685
6	Front Bearing Retainer	w/o Snout		83503112
8	Counter Shaft	Uses Nut	84-10/88	AX5-8
8	Counter Shaft	Uses Snap Ring	10/88-On	AX5-8A
11	3rd Gear	27T		G52-11
15	Slider, 5th/Reverse Gear	For Aluminum Fork Only		G52-15
16	Input Shaft	Uses 20mm Wide I/S Brg.	84-87	AX5-16
16	Input Shaft	Uses 23mm Wide I/S Brg.	84-10/88	AX5-16A
16	Input Shaft	Uses 23mm Wide I/S Brg.	10/88-On	AX5-16B
18 & 19	5th Gear Kit	Includes M/S (24T) & C/S (45T)		G52-5
	5th Gear Needle Brg.			83500644
A	Input Shaft Brg.	20mm Wide I/S Brg.	84-87	
A	Input Shaft Brg.	23mm Wide I/S Brg.	84-On	ZB1049
B	Main Shaft Pilot Brg.			N6X17-13
C	Main Shaft Rear Brg.	20mm Wide	84-87	ZB1044
C	Main Shaft Rear Brg.	21mm Wide	87-On	ZB1048
D	Countershaft Front Brg.			ZC1027
E	Countershaft Rear Brg.	18mm Wide	84-87	ZC1015
E	Countershaft Rear Brg.	20mm Wide	87-On	ZC1016
F	1st Gear Synchro Ring			ZSY1052
G	2nd Gear Synchro Ring			ZSY1052
H	3rd Gear Synchro Ring			ZSY1053
I	4th Gear Synchro Ring			ZSY1053
J	5th Gear Synchro Ring			ZSY1053
S	Input Shaft Seal			1981
S	Output Shaft Seal		2WD	223840
S	Output Shaft Seal		4x4	225010
Z	Gasket			Part of GT-FT130
Z	Adapter Gasket			GTC-NP1

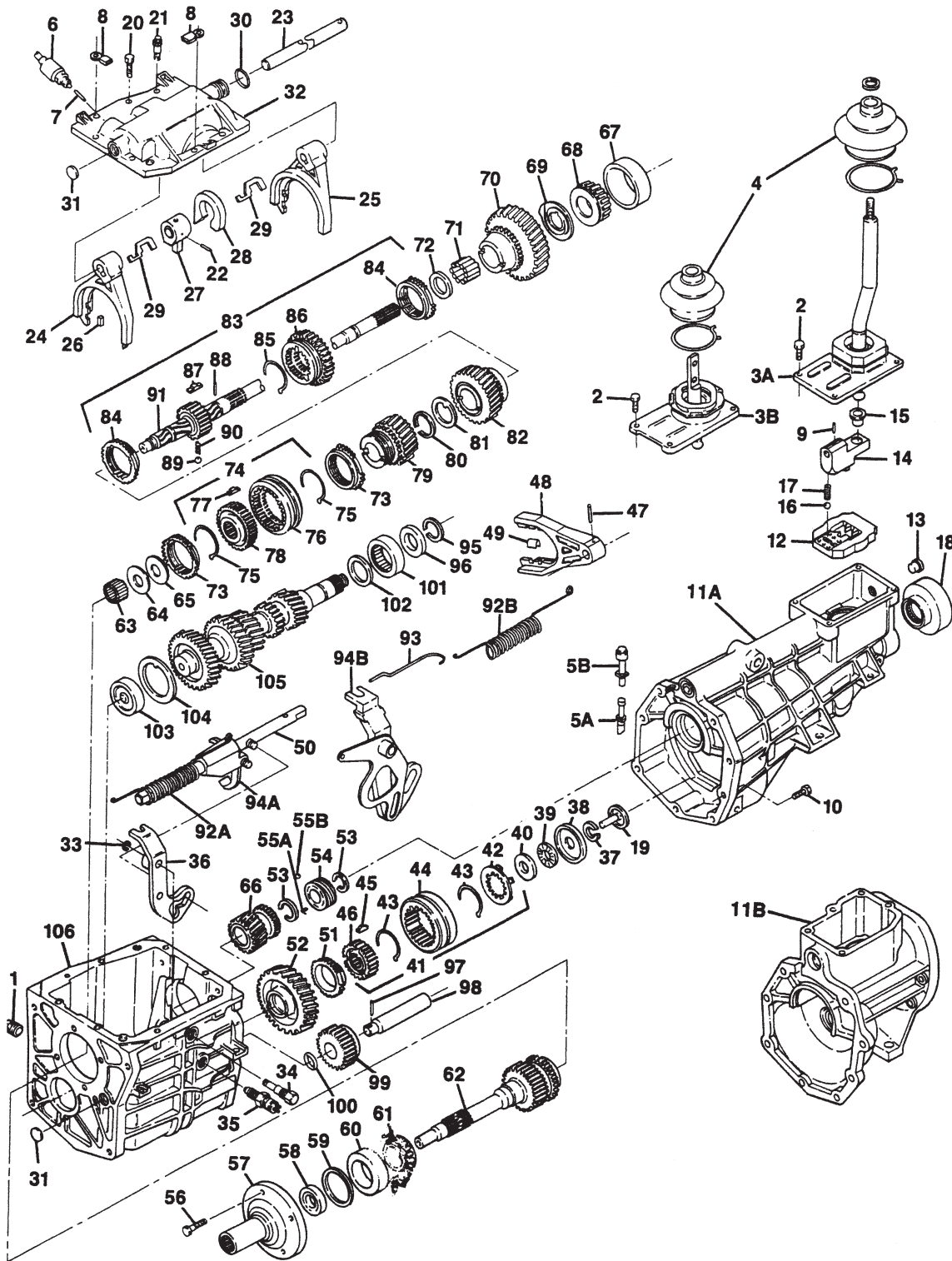
Aisin Warner AX15

Position	Description	Specifications	Applications	Part Number
8	Counter Shaft		86-On	AX15-8
16	Input Shaft		86-91	AX15-16
16	Input Shaft		92-On	AX15-16A
19	5th Gear (Counter Shaft)	47T, Includes Keys & Springs		AX15-19
A	Input Shaft Brg.			
B	Main Shaft Pilot Brg.			ZN1025
C	Main Shaft Rear Brg.			ZB1053
D	Countershaft Front Brg.			ZC1002
E	Countershaft Rear Brg.			ZC1017
F	1st Gear Synchro Ring			ZSY1096
G	2nd Gear Synchro Ring			ZSY1096
H	3rd Gear Synchro Ring			ZSY1097
I	4th Gear Synchro Ring			ZSY1097
J	5th Gear Synchro Ring	36T		ZSY1097
J	5th Gear Synchro Ring	33T		ZSY1098
S	Input Shaft Seal			223253
S	Output Shaft Seal		2WD	223840
S	Output Shaft Seal		4x4	225010
Z	Adapter Gasket			GTC-NP1

Transmission Gearing & Related Parts

Borg Warner T5 Non-World Class

(Call for parts listings)

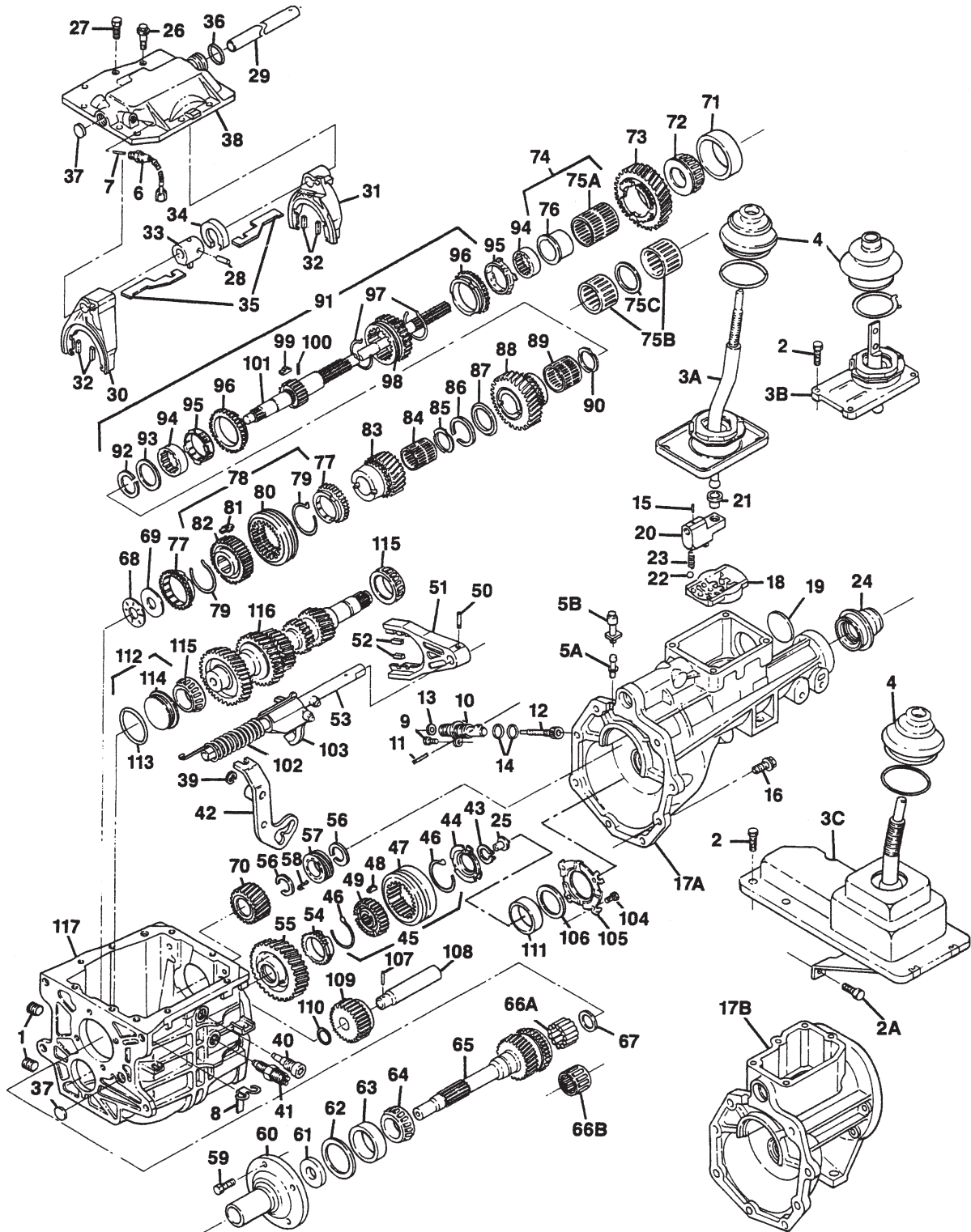


References to original equipment part numbers are for cross reference and identification purpose only.

Borg Warner T5 Non-World Class

Transmission Gearing & Related Parts

Borg Warner T5 World Class



Borg Warner T5 World Class

Transmission Gearing & Related Parts

Borg Warner T5 World Class

Index No.	Part Number	Description	Qty.	Assemblies		
1	1300-052-007	Drain/fill plug	2	All		
2	1351-183-001	Screw	4	All		
3	1352-597-029	Control lever & housing	1	255, 256		
	1352-598-038		1	150		
	1352-598-048		1	116, 168		
	1352-598-065		1	All Other Assemblies		
	1352-598-072		1	175, 176, 177		
	1352-598-079		1	174		
	1352-598-082		1	188		
	1352-598-084		1	134, 184		
	1352-598-087		1	194, 199, 202, 205, 207, 220, 236		
	1352-598-090		1	198, 215, 250, 252		
	1352-598-091		1	198		
	1352-598-094		1	210, 212, 213, 245, 247, 259		
	1352-598-095		1	210, 214		
	1352-598-097		1	195, 196, 197, 214		
	1352-598-098		1	222		
	1352-598-099		1	223		
	1352-598-100		1	226, 237, 240, 248		
	1352-598-103		1	216, 221, 233		
	1352-598-107		1	204, 208, 209, 218, 219, 225, 238, 239, 242, 246, 253, 254, 260		
	1352-598-113		1	257		
1352-598-116	1	243				
1352-598-128	1	258				
4	1351-021-002	Boot, shifter	1	All Other Assemblies		
	1351-021-003		1	168		
	1352-021-008		1	255, 256		
	1386-021-001		1	198, 212, 213, 215, 216, 233, 234, 238, 239, 242, 245, 246, 247, 250, 252, 253, 254, 258, 259, 260		
5	T94-95	Vent/Breather	1	155, 168, 169, 194, 199, 200, 202, 204, 205, 207, 208, 209, 218, 219, 220, 222, 223, 225, 226, 227, 229, 232, 233, 234, 236, 237, 239, 242, 246, 249, 251, 253, 254, 257		
	1000-572-001		1	114, 177, 198, 240		
	1000-572-002		1	All Other Assemblies		
	1300-072-005		1	238, 260		
	1300-572-002		1	175, 176, 177		
	1345-072-001		1	243, 247, 255, 256		
	1352-572-001		1	212, 213, 214, 228, 245, 247, 259		
	1352-572-002		1	195, 196, 197, 210, 212, 213, 228, 245, 247, 259		
	1352-572-003		1	216, 221		
	6		1300-140-002	Neutral switch	1	126, 142, 204, 205, 208, 218, 225, 227, 229
			1300-140-004		1	141, 154, 162, 165, 169, 188, 199, 200, 202, 204, 205, 208, 218, 225, 227, 229, 239, 249, 251
1300-140-008		1	198, 215			
7	1000-043-020	Pin, for neutral switch	1	126, 142, 154, 162, 165, 169, 194, 198, 199, 200, 202, 204, 205, 208, 215, 218, 225, 227, 229, 239, 249, 251		
8	1352-056-003	Clip, wire, for neutral switch	1	169, 194, 198, 199, 200, 202, 204, 205, 208, 215, 218, 225, 227, 229, 239, 249, 251, 252		
9			x	All		
thru	Not Borg-Warner supplied items		x	All		
14			x	All		

References to original equipment part numbers are for cross reference and identification purpose only.

Transmission Gearing & Related Parts

Borg Warner T5 World Class continued

Index No.	Part Number	Description	Qty.	Assemblies	
15	1000-043-016	Roll pin, offset lever	1	All	
16	1300-183-014	Bolt	8	All	
17	1352-566-037	Extension assembly, service	1	114, 115, 116, 126, 141, 142, 154, 165	
	1352-566-045		1	150, 175, 176, 177	
	1352-566-056		1	184	
	1352-566-060		1	134, 174	
	1352-566-067		1	197	
	1352-566-070		1	203	
	1352-566-072		1	162, 167	
	1352-566-074		1	175, 195, 196, 197, 210, 212, 213, 214, 228, 236, 245, 259, 155,	
	1352-566-081		1	168, 169, 194, 199, 200, 202, 204, 205, 207, 208, 209, 218, 219,	
				220, 225, 227, 229, 236, 239, 242, 246, 249, 251,	
				253, 254	
		1352-566-085		1	240, 248, 250, 252, 258
		1352-566-086		1	221, 222, 232
		1352-566-090		1	223
		1352-566-092		1	226
		1352-566-097		1	237
		1352-566-099		1	243
		1352-566-102		1	247
		1352-566-104		1	238
		1352-566-105		1	257
	1352-566-107		1	260	
18	1352-014-005	Detent guide plate	1	All Other Assemblies	
	1352-014-009		1	203	
	1352-514-001		1	243, 255, 256	
19	1000-113-010	Cup plug	1	All	
20	1351-098-005	Offset lever (short)	1	150, 175, 176, 177, 195, 196, 197, 198, 212, 213, 215, 216, 221,	
				222, 226, 228, 232, 233, 234, 237, 240, 243, 245, 247, 248, 250,	
	1351-098-006	Offset lever (long)	1	All Other Assemblies	
21	1352-127-009	Damper sleeve	1	All	
22	1300-109-003	Ball (Replaces 453593)	1	All	
23	1351-156-001	Spring	1	All	
24	9613-S	Oil seal, ext., hsg.	1	150, 175, 176, 177, 195, 196, 197, 210, 212, 213, 214, 216, 221,	
				222, 228, 232, 233, 234, 245, 247, 259	
		1000-044-059		1	223, 226
		1300-044-003		1	134, 174, 184
		7692-S		1	155, 167, 168
		1300-044-013		1	200, 258
		710426		1	238, 239, 242, 246, 249, 251, 253, 254, 260
		1300-044-025		1	257
		7692-S		1	All Other Assemblies
		710403		1	243
		1900-044-019		1	237
	25	1352-034-002	Oiling funnel	1	All
26	1332-183-009	Bolt	8	All	
27	1332-183-006	Alignment bolt	2	All	
28	1332-043-004	Selector arm pin	1	All	

Transmission Gearing & Related Parts

Borg Warner T5 World Class continued

Index No.	Part Number	Description	Qty.	Assemblies
29	1352-100-011	Shift rail 1-2-3-4	1	203, 216, 221, 222, 223, 232, 233, 234, 255, 256, 257
	1352-100-012		1	134, 174, 184
	1352-100-015		1	114, 115, 116, 155, 167, 168, 238, 242, 243, 246, 253, 254, 260
	1352-100-016		1	150, 175, 176, 177, 195, 196, 197, 245, 247, 259
	1352-100-017		1	126, 142
	1352-100-021		1	141, 150, 154
	1352-100-022		1	163
	1352-100-023		1	162, 165, 169, 194, 199, 200, 202, 239, 249, 251
	1352-100-024		1	198, 240, 248, 250, 252, 258
30	1352-096-004	3-4 Shift fork	1	All
31	1352-096-002	1-2 Shift Fork	1	All
32	1352-127-008	Insert, plastic	4	All
33	1352-596-003	Selector arm ass'y	1	All
34	1352-014-004	Interlock plate	1	All
35	1352-190-003	Selector plate	2	All
36	1332-141-001	O-Ring	1	All
37	103892	Plug	2	All
38	1351-097-016	Cover, top	1	All Other Assemblies
	1352-097-010		1	126, 142,
	1352-097-013		1	141, 150, 154,
	1352-097-015		1	162, 163, 165, 169, 188, 194, 198, 199, 200, 202, 204, 205, 208, 215, 218, 225, 227, 239, 249, 251
	1352-097-017		1	175, 176, 177, 195, 196, 197, 215
	1352-097-018		1	184, 203, 240, 248
	1353-097-001		1	216, 221, 222, 223, 232, 233, 234, 237, 250, 252, 257, 258
39	1332-139-003	Retaining ring	1	All
40	1352-183-002	Pivot pin	1	All
41	1000-140-013	Back-up switch	1	175, 176, 177, 195, 196, 197, 198, 210, 212, 213, 214, 215, 216, 221, 222, 223, 226, 228, 232, 233, 234, 237, 243, 245, 247, 250, 252, 255, 256, 257, 258, 259
	1300-140-011		1	229
	1332-140-005		1	All Other Assemblies
	1352-052-002		1	229
	42	1352-098-003	Shift lever, 5th & reverse	1
1352-098-011			1	208, 209, 215, 218, 219, 220, 225, 229, 236, 238, 239, 240, 242, 246, 248, 249, 251, 253, 254, 260
43	1300-139-001	Snap ring	1	All
44	1352-040-004	5th synchro retainer	1	All
45	1352-590-003	5th synchronizer ass'y	1	All Other Assemblies
	1352-590-015			239, 240, 242, 246, 260
	1352-590-016			243
	1352-590-020			250, 252
	1352-590-022			240, 245, 247, 248, 249, 251
46	1332-156-002	Spring	2	All
47	Use item #45	Collar	1	All
48	1332-093-002	5th synchronizer struts	3	All
49	Use item #45	Hub	1	All
50	1000-043-016	Roll pin	1	All
51	1352-096-014	5th shift fork	1	All
52	1352-127-008	Insert, plastic	2	All
53	1352-600-002	Shift rail ass'y	1	All

References to original equipment part numbers are for cross reference and identification purpose only.

Transmission Gearing & Related Parts

Borg Warner T5 World Class continued

Index No.	Part Number	Description	Qty.	Assemblies	
54A	1332-091-002	Blocking ring, 5th	1	All	
54B	1332-091-002	Blocking ring, 5th	1	All	
55	1352-080-029	5th Speed drive gear 53T	1	177, 197, 210, 214, 228, 245, 259	
	1352-080-035	5th Speed drive gear 51T	1	163, 168, 176, 196, 200, 223, 226, 237	
	1352-080-051	5th Speed drive gear 51T	1	115, 116, 154, 213, 227, 229, 238, 243, 249, 251, 255, 256, 257	
	1352-080-052	5th Speed drive gear 55T	1	175, 188, 195, 205, 212, 240, 254	
	1352-080-055	5th Speed drive gear 59T	1	114, 126, 165	
	1352-080-073	5th Speed drive gear 61T	1	150	
	1352-080-074	5th Speed drive gear 53T	1	134, 174, 184, 202, 203, 248	
	1352-080-078	5th Speed drive gear 55T	1	142	
	1352-080-114	5th Speed drive gear 59T	1	141, 155, 162, 167, 169, 194, 198, 199, 204, 207, 208, 209, 215, 218, 219, 239, 242, 246, 250, 252, 253, 258, 260	
	1352-080-158	5th Speed drive gear 51T	1	216, 221, 233	
	1352-080-160	5th Speed drive gear 59T	1	220, 236	
	1352-080-162	5th Speed drive gear 61T	1	222, 232, 234	
	1352-080-163	5th Speed drive gear 53T	1	247	
	56	1000-139-002	Snap ring	1	All Other Assemblies
		1000-139-031		1	240, 245, 247, 248, 250, 252
1000-139-032			1	238, 239, 242, 243, 246, 249, 251, 260	
57	1351-110-002	Speedo gear, purple 7T	1	150, 175, 177, 195, 197, 210, 212, 214, 228	
	1352-110-002	Speedo gear, Natural 7T	1	198, 215, 240, 248, 250, 252	
	1352-110-003	Speedo gear, Red 9T	1	176, 196, 213	
	1352-110-004	Speedo gear, Black 6T	1	114, 116, 155, 167, 168	
	1352-110-005	Speedo gear, Yellow 7T	1	115, 126, 141, 142, 154, 162, 165, 169, 194, 200, 202, 204, 205, 207, 209, 220, 225, 227, 236, 249, 251	
	1352-110-006	Speedo gear, Brown 7T	1	134, 174	
	1352-110-008	Speedo gear, Orange 7T	1	184	
	1352-110-010	Speedo gear, nylon 21T, driven	1	198, 215, 240, 248, 252	
	1352-110-011	Speedo gear, Aqua 8T	1	198, 208, 218, 219, 238, 239, 242, 246, 253, 254	
	1352-110-012	Speedo gear, 7T, beige, 27spline	1	245, 259	
	1352-110-013	Speedo gear, 17T metal, 27 spline	1	247	
	1352-110-014	Speedo gear, 20T, purple, 27 spline driven	1	250	
	1352-110-016	Speedo gear, 6T, pink, 27 spline	1	258	
	1352-110-017	Speedo gear, 20T, pink, driven	1	258	
	1352-110-018	Speedo gear, 12T, electric	1	260	
58	1390-056-002	Speedo gear clip	1	All	
59	1300-183-009	Bolt	4	All	
60	1351-027-001	Bearing retainer, front	1	257	
	1352-027-003		1	216, 221, 222, 232, 233, 234	
	1352-027-007		1	150, 175, 176, 177, 195, 196, 197, 210, 212, 213, 214, 214, 228, 240, 245, 248, 250, 252, 258, 259	
	1352-027-008		1	114, 115, 116, 126, 141, 165, 167, 168, 169, 199, 200, 202, 205	
	1352-027-017		1	142	
	1352-027-019		1	154, 155, 162, 194, 207, 209	
	1352-027-020		1	174	
	1352-027-022		1	141, 184, 203	
	1352-027-023		1	219, 220	
	1352-027-024		1	223	
	1352-027-025		1	226, 237, 243, 255	
	1352-027-030		1	247	
	1352-027-031		1	256	
	1352-527-001		1	238, 242, 246, 253, 254	
	1352-527-002		1	204, 208, 218, 225, 227, 229, 236	
1352-527-005		1	260		

Transmission Gearing & Related Parts

Borg Warner T5 World Class continued

Index No.	Part Number	Description	Qty.	Assemblies
61	7412-S	Oil seal	1	All
	1351-037-001	Shim, select fit	S	All
62	through	Shim, select fit	S	All
	1351-037-038	Shim, select fit	S	All
63	M88010	Bearing cup, input gear	1	155, 162, 194, 207, 209
	1300-133-007		1	154
	1351-133-002		1	All Other Assemblies
64	M88048	Bearing cone, input gear	1	155, 162, 194, 207, 209
	1300-133-008		1	154,
	1351-133-001		1	All Other Assemblies
65	1351-085-010	Input drive gear, 21T	1	223
	1352-085-017	Input drive gear, 21T	1	114, 167
	1352-085-019	Input drive gear, 24T, 26 spline	1	175, 176, 195, 196, 212, 213
	1352-085-020	Input drive gear, 24T, 10 spline	1	115, 200, 202, 205, 225, 226
	1352-085-025	Input drive gear, 23T, 10 spline	1	126, 141, 165, 169, 199, 204, 208, 229
	1352-085-026	Input drive gear, 22T, 10 spline	1	116, 168
	1352-085-028	Input drive gear, 24T	1	134, 174
	1352-085-029	Input drive gear, 23T, 26 spline	1	150
	1352-085-030	Input drive gear, 23T	1	142
	1352-085-038	Input drive gear, 19T, 10 spline	1	154, 155, 162, 194, 207, 209
	1352-085-039	Input drive gear, 22T, 10 spline	1	163
	1352-085-041	Input drive gear, 24T, 23 spline	1	184, 203, 240, 248
	1352-085-042	Input drive gear, 24T, 10 spline	1	188
	1352-085-043	Input drive gear, 21T, 14 spline	1	177, 197, 214, 228
	1352-085-045	Input drive gear, 21T, 14 spline	1	198, 221, 222, 232, 233, 234
	1352-085-047	Input drive gear, 26T, 26 spline	1	210, 245, 247, 259
	1352-085-048	Input drive gear, 21T	1	216
	1352-085-049	Input drive gear, 21T, 24 spline	1	250, 252
	1352-085-050	Input drive gear, 23T, 10 spline	1	218, 239
	1352-085-051	Input drive gear, 28T	1	220, 236
	1352-085-052	Input drive gear, 23T, 10 spline	1	219, 238, 246, 260
	1352-085-053	Input drive gear, 19T, 22 spline	1	226, 237, 243, 255
	1352-085-055	Input drive gear, 23T, 10 spline	1	242, 253, 254
	1352-085-060	Input drive gear, 24T, 10 spline	1	249, 251
	1352-085-061	Input drive gear, 19T, 30 spline	1	256
	1352-085-062	Input drive gear, 21T, 30 spline	1	257
1352-085-063	Input drive gear, 21T, 30 spline	1	258	
66A	QBR23549	Input Gear Pocket Needle Brg.	15	All Other Assemblies
66B	LM11749	Input Gear Bearing Cone	1	239, 242, 249, 251, 253, 254
66C	LM11710	Input Gear Bearing Cup	1	239, 242, 249, 251, 253, 254
67	1352-052-005	Input Gear Pocket Needle Brg. Spacer	1	All
68	1351-132-004	Input Gear Needle brgs, (waffer)	1	All
69	1352-018-005	Input Gear Thrust Race	1	All
70	1352-070-022	5th Speed driven gear, 27T/28 spline	1	114, 126, 141, 155, 162, 165, 167, 169, 194, 199, 204, 207, 208, 209, 218, 219, 239, 242, 246, 253, 260
	1350-070-025	5th Speed driven gear, 25T	1	226
	1352-070-026	5th Speed driven gear, 25T	1	216, 221, 233
	1352-070-027	5th Speed driven gear, 25T/28 spline	1	115, 116, 154, 163, 168, 200, 223, 227, 229, 237, 238, 243, 249, 251, 255, 256, 257
	1352-070-028	5th Speed driven gear, 23T/27 spline	1	177, 197, 210, 214, 245, 247, 259
	1352-070-029	5th Speed driven gear, 25T	1	222, 232, 234

References to original equipment part numbers are for cross reference and identification purpose only.

Transmission Gearing & Related Parts

Borg Warner T5 World Class continued

Index No.	Part Number	Description	Qty.	Assemblies
70 cont	1352-070-031	5th Speed driven gear, 27T/27 spline	1	198, 215, 250, 252, 258
	1352-070-032	5th Speed driven gear, 25T/27 spline	1	176, 196, 213
	1352-070-033	5th Speed driven gear, 25T/27 spline	1	150
	1352-070-034	5th Speed driven gear, 33T/23 spline	1	134, 174, 184, 203
	1352-070-035	5th Speed driven gear, 31T	1	142
	1352-070-045	5th Speed driven gear, 31T/28 spline	1	188, 205, 254
	1352-070-046	5th Speed driven gear, 33T/28 spline	1	202, 225
	1352-070-047	5th Speed driven gear, 31T/27 spline	1	175, 195, 212, 240
	1352-070-048	5th Speed driven gear, 29T	1	220, 236
	1352-070-051	5th Speed driven gear, 33T/29 spline	1	248
71	25821	Bearing cup, mainshaft	1	All
72	25877	Bearing cone, mainshaft	1	All
73	1352-080-030	1st Speed gear, 34T	1	126, 141, 165, 169, 199, 204, 208, 218, 219, 229, 238, 239, 242, 246, 253, 254, 260
	1352-080-031	1st Speed gear, 32T	1	114, 115, 134, 167, 184, 200, 202, 203, 205, 216, 221, 225, 227, 233, 240, 248, 249, 251, 257
	1352-080-032	1st Speed gear, 33T	1	116, 163, 168
	1352-080-034	1st Speed gear, 32T	1	175, 176, 177, 188, 195, 196, 197, 212, 213, 214, 228
	1352-080-070	1st Speed gear, 34T	1	150
	1352-080-075	1st Speed gear, 33T	1	142
	1352-080-112	1st Speed gear, 32T	1	154, 155, 162, 194, 207, 209, 226, 237, 243, 255, 256
	1352-080-118	1st Speed gear, 32T	1	174
	1352-080-125	1st Speed gear, 32T	1	223
	1352-080-149	1st Speed gear, 32T	1	198, 215, 222, 232, 234, 245, 247, 259
	1352-080-154	1st Speed gear, 34T	1	210, 245, 247, 259
	1350-080-157	1st Speed gear, 39T	1	220, 236
	74	1352-603-006	Brg. sleeve ass'y, 1st speed	1
75	Use item # 74	Bearing, 1st speed	1	All
76	Use item # 74	Sleeve, 1st speed brg.	1	All
77	1352-591-003	Blocking ring, 3-4 sync. ass'y	2	All
78	1352-590-011	Synchronizer ass'y 3-4	1	All
79	1352-156-018	Synchronizer ass'y springs	2	All
80	Use item #78	Collar, 3-4 sychro	1	All
81	1351-093-001	3-4 Synchronizer struts	3	All
82	Use item #78	Hub, 3-4 synchro	1	All
83	1352-080-044	3rd Speed gear, 27T	1	116, 126, 163, 165, 168, 169, 238
	1352-080-045	3rd Speed gear, 30T	1	115, 134, 174, 175, 176, 184, 188, 195, 196, 200, 202, 203, 205
	1352-080-046	3rd Speed gear, 27T	1	114, 167, 177, 197, 214, 216, 221, 228, 233, 257
	1352-080-048	3rd Speed gear, 27T	1	198, 250, 252, 258
	1352-080-072	3rd Speed gear, 27T	1	150
	1352-080-076	3rd Speed gear, 29T	1	142
	1352-080-115	3rd Speed gear, 26T	1	154, 155, 162, 194, 243, 255, 256
	1352-080-151	3rd Speed gear, 26T	1	199, 239, 242, 246, 253, 254, 260
	1352-080-149	1st Speed gear, 32T	1	250, 252, 258
	1352-080-154	1st Speed gear, 34T	1	245, 247, 259
	84	FC66266.2	Needle bearing, 3rd speed	1
85	1352-053-004	Spacer, 3rd speed	1	All
86	1300-139-028	Snap ring, 3rd speed	1	All
87	1352-193-004	Thrust washer, 3rd speed	1	All
88	1352-080-027	2nd Speed gear, 31T	1	177, 214, 228, 233
	1352-080-028	2nd Speed gear, 33T	1	175, 176, 188, 195, 196, 197, 212, 213, 225, 227, 240, 248, 249, 251

Transmission Gearing & Related Parts

Borg Warner T5 World Class continued

Index No.	Part Number	Description	Qty.	Assemblies
88 cont	1352-080-037	2nd Speed gear, 31T	1	114, 116, 163, 167, 168, 216, 221, 233, 257
	1352-080-038	2nd Speed gear, 33T	1	115, 134, 174, 184, 200, 202, 203, 205
	1352-080-060	2nd Speed gear, 30T	1	126, 141, 165, 169, 238
	1352-080-071	2nd Speed gear, 30T	1	150
	1352-080-077	2nd Speed gear, 31T	1	142
	1352-080-113	2nd Speed gear, 31T	1	154, 155, 162, 194, 207, 209, 226, 237
	1352-080-150	2nd Speed gear, 31T	1	198, 215, 222, 232, 234
	1352-080-152	2nd Speed gear, 31T	1	199, 204, 208, 218, 219, 229
	1352-080-155	2nd Speed gear, 37T	1	210, 220, 236
	1352-082-001	2nd Speed gear, 31T	1	223
89	F93934	2nd Speed bearing	1	All
90	1352-053-003	Spacer, 2nd speed	1	All
91	1352-671-035	Output shaft assy, 28 spline/5th, 28spl	1	All Other Assemblies
	1352-671-039	Output shaft assy, 27 spline/5th, 27spl	1	175, 176, 177, 195, 196, 197, 210, 212, 213, 214, 228, 245, 259
	1352-671-053	Output shaft assy, 27 spline/5th, 27spl	1	150
	1352-671-057	Output shaft assy, 28 spline	1	142
	1352-671-086	Output shaft assy, 28 spline	1	174
	1352-671-087	Output shaft assy, 28 spline/5th, 28spl	1	163, 188
	1352-671-091	Output shaft assy, 25 spline/5th, 23spl	1	134, 184
	(replaces 086*)	* Use 1352-110-008 Speedo	1	134
	1352-671-102	Output shaft assy, 27 spline/5th, 27spl	1	198, 215, 240, 248, 250, 252, 258
	1352-671-103	Output shaft assy, 23 spline/5th, 23spl	1	203
	1352-671-105	Output shaft assy, 27 spline/5th, 27spl	1	216, 221, 222, 232, 233, 247
	1352-671-109	Output shaft assy, 21 spline	1	223
	1352-671-111	Output shaft assy, 28 spline/5th, 28spl	1	218, 239, 242, 249, 251, 253, 254
	1352-671-113	Output shaft assy, 23 spline	1	226
	1352-671-115	Output shaft assy, 25 spline/5th, 28spl	1	237, 243
	1352-671-118	Output shaft assy, 25 spline/5th, 28spl	1	255, 256
1352-671-127	Output shaft assy, 25 spline/5th, 28spl	1	257	
1352-671-129	Output shaft assy, 28 spline/5th, 28spl	1	260	
92	1352-139-005	Retaining ring,	1	All
93	1352-193-002	Thrust washer	1	All
94	1352-025-001	Inner cone, 1-2 speed	2	All
95	1352-525-001	Outer cone race, 1-2 speed	2	All
96	1352-091-001	1-2 Blocking ring	2	All
97	1352-156-018	Spring, 1-2 rev-slider	2	All
98	Use item # 91	1-2 Reverse slider	1	All
99	1352-093-001	strut, 1-2 rev-slider	3	All
100	1352-410-011	Pin & ball, mainshaft	1	All
102	1352-156-005	Reverse spring	1	240, 243, 245, 248, 249, 251
	1352-156-023	Reverse spring	1	238, 239, 242, 246, 247, 250, 252, 260
103	1352-596-009	Reverse fork assy	1	All Other Assemblies
	1352-596-013	Reverse fork assy	1	208, 209, 215, 218, 219, 220, 225, 229, 236, 238, 239, 242, 246, 247, 250, 252, 253, 254, 258, 259, 260
104	1300-183-002	Bolt, rear retainer/cluster	4	All
105	1352-027-015	Retainer, rear/cluster	1	All
	1352-037-034	Shim, select fit	S	All
106	through	Shim, select fit	S	All
	1352-037-068	Shim, select fit	S	All
107	1000-043-016	Roll pin, reverse idler shaft	1	All

References to original equipment part numbers are for cross reference and identification purpose only.

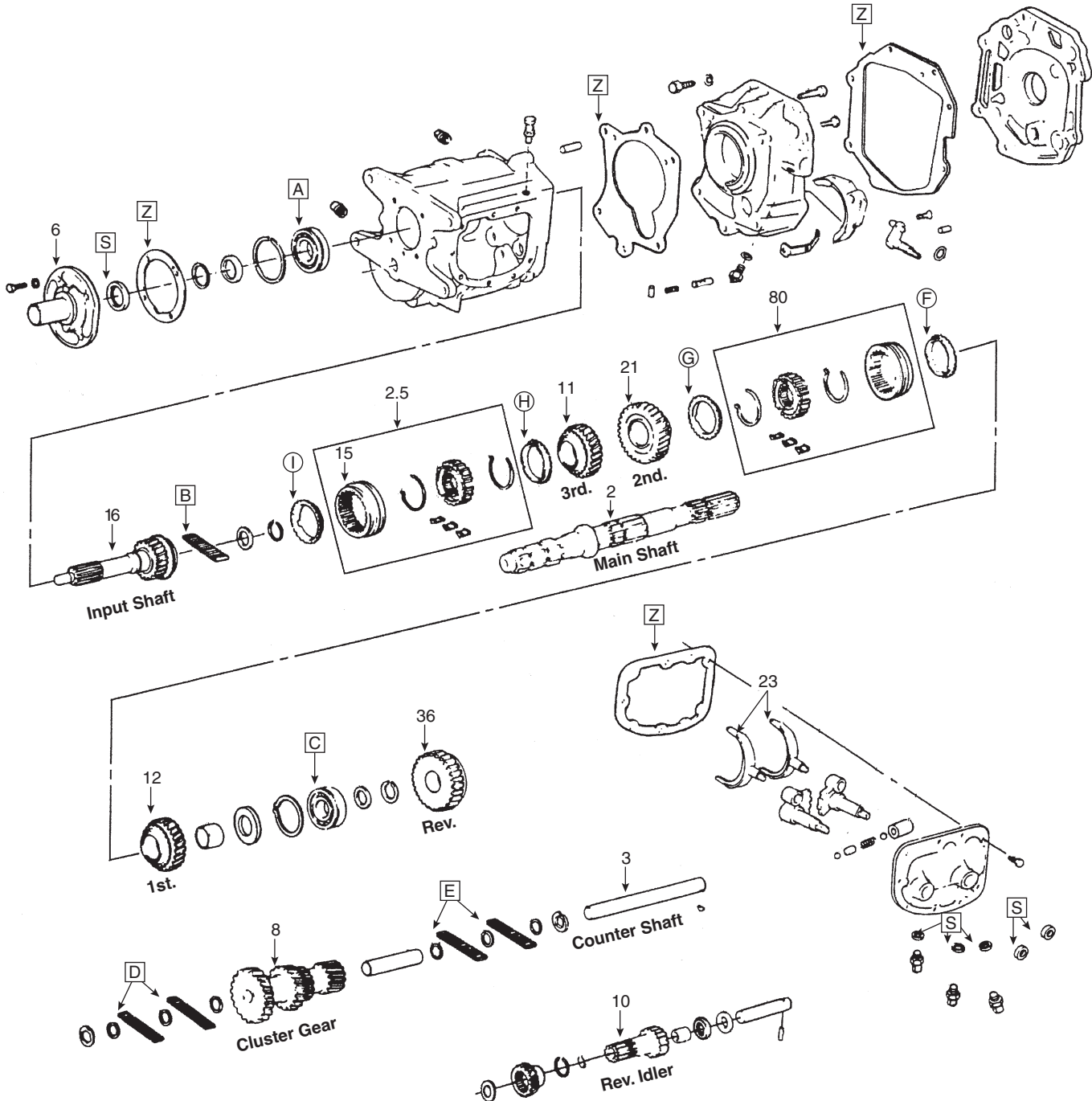
Transmission Gearing & Related Parts

Borg Warner T5 World Class continued

Index No.	Part Number	Description	Qty.	Assemblies
108	1351-068-001	Reverse idler shaft	1	All
109	1352-584-008	Gear, reverse idler	1	All
110	OR-211	O-ring	1	All
111	LM67010	Bearing cup, cluster/case rear	1	All
112	LM67010-BCE	Brg. cup & o-ring ass'y, frt. case	1	All
113	1000-141-471	O-ring, brg. cup, frt. case	1	All
114	Use item # 112	Brg. cup, ass'y frt.cluster/case	1	All
115	LM67048	bearing cone, cluster	2	All
116	1352-077-023	Countershaft gear/Cluster Gear 37T-32T-23T-15T-14T	1	114, 154
	1352-077-038	Countershaft gear/Cluster Gear 34T-31T-23T-15T-15T	1	165
	1352-077-039	Countershaft gear/Cluster Gear 34T-31T-23T-15T-15T	1	150
	1352-077-040	Countershaft gear/Cluster Gear 29T-28T-20T-15T-14T	1	142
	1352-077-048	Countershaft gear/Cluster Gear 33T-31T-23T-15T-14T	1	155, 162, 194, 207, 209, 226, 237, 243, 255, 256
	1352-077-050	Countershaft gear/Cluster Gear 35T-31T-23T-15T-15T	1	116, 163, 168
	1352-077-051	Countershaft gear/Cluster Gear 37T-32T-23T-15T-14T	1	167, 216, 221, 233, 257
	1352-077-052	Countershaft gear/Cluster Gear 34T-32T-23T-15T-15T	1	126, 141, 169, 238
	1352-077-053	Countershaft gear/Cluster Gear 31T-29T-22T-15T-14T	1	115, 134, 174, 175, 176, 184, 188, 195, 196, 200, 202, 203, 205
	1352-077-054	Countershaft gear/Cluster Gear 37T-32T-23T-15T-14T	1	177, 197, 214, 223, 228
	1352-077-056	Countershaft gear/Cluster Gear 37T-31T-25T-15T-15T	1	198, 215, 222, 232, 234, 250, 252, 258
	1352-077-068	Countershaft gear/Cluster Gear 34T-29T-23T-15T-15T	1	199, 204, 208, 218, 219, 229, 239, 242, 246, 253, 254, 260
	1352-077-069	Countershaft gear/Cluster Gear 41T-33T-28T-15T-17T	1	220, 236
	1352-077-070	Countershaft gear/Cluster Gear 31T-29T-22T-15T-14T	1	212, 213, 225, 227, 240, 247, 248, 251
	1352-077-071	Countershaft gear/Cluster Gear 43T-34T-28T-15T-15T	1	247
117	1352-565-008	Case & magnet assy	1	All Other Assemblies
	1352-565-014	Case & magnet assy	1	150, 175, 176, 177, 195, 196, 197, 212, 213, 228
	1352-566-017	Case & magnet assy	1	188, 198, 221, 222, 232, 233, 234
	1352-566-021	Case & magnet assy	1	208, 209, 215, 218, 219, 220, 225, 229, 236, 238, 239, 242, 246, 250, 252, 253, 254, 258, 260
	1352-566-022	Case & magnet assy	1	210, 214, 245
	1352-566-023	Case & magnet assy	1	155, 163, 168, 169, 184, 194, 199, 200, 202, 223, 237, 240, 243, 248, 249, 251, 255, 256, 257
	1352-565-030	Case & magnet assy	1	247, 259
118	4915	Magnet, case	1	All
119	1332-149-003	Spring nut, case	1	All
120	1352-025-003	Cone, reverse brake	1	219, 220, 236, 253, 254, 258, 260
121	1352-193-006	Washer, splined	1	219, 220, 236, 253, 254, 258, 260
122	1352-156-017	Wave spring, 4th speed blocker	1	216

Transmission Gearing & Related Parts

Borg Warner T10



□ = Contained in all kits.

○ = Contained in WS (With Synchros) kits.

△ = Contained in N (With Needle Brgs.) kits.

References to original equipment part numbers are for cross reference and identification purpose only.

Borg Warner T10

Transmission Gearing & Related Parts

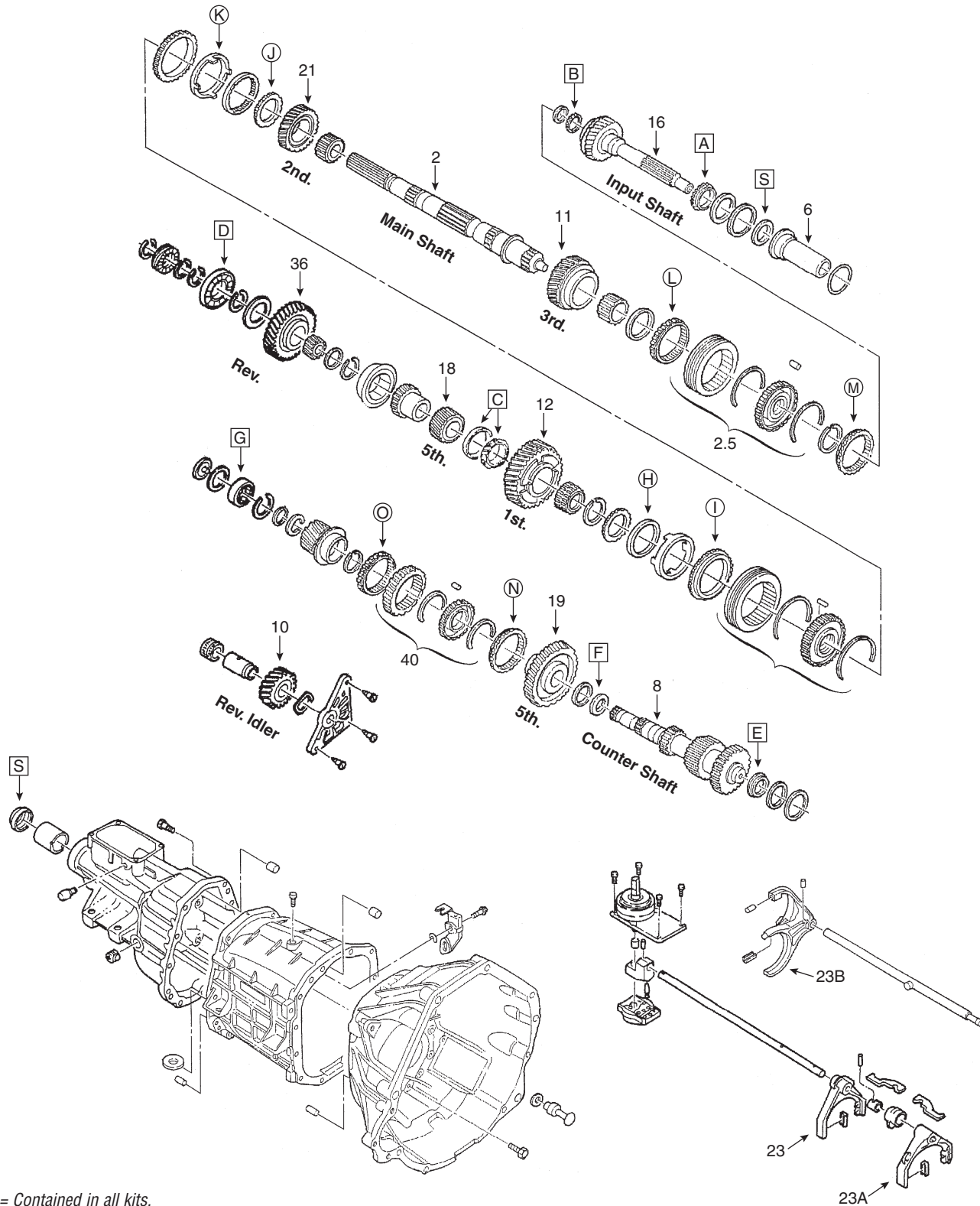
Borg Warner T10

Position	Description	Specifications	Applications	Part Number
2	Main Shaft			T10W-2
2.5	Synchro Assy. (3rd-4th)			AT16-2.5
3	Counter Shaft	1" Diameter		T10W-3
3	Counter Shaft	7/8" Diameter		T85B-3
6	Front Bearing Retainer			T89C-6A
8	Cluster Gear	31-25-20-16		T10U-8C
8	Cluster Gear	28-23-20-18		T10W-8B
8	Cluster Gear	27-23-20-18		T10W-8CH
8	Cluster Gear	29-24-20-18		T10Y-8B
10	Rev. Idler Gear	Bushing Style		T10-34C
11	3rd Gear	20T		T10U-11A
11	3rd Gear	21T		T10X-11
11	3rd Gear	22T		T10S-11
11	3rd Gear	28T		T10H-11A
11	3rd Gear	29T		T10J-11
12	1st Gear	30T		T10U-12
12	1st Gear	34T		T10W-12
15	Slider	Torque Lock		T10-15
15	Slider	Super T10 Only		T10S-15
16	Input Shaft	17T		T10U-16B
16	Input Shaft	19T		T10Y-16B
16	Input Shaft	20T		T10W-16G
16	Input Shaft	21T		T10W-16CH
21	2nd Gear	25T		T10S-31A
21	2nd Gear	30T		T10H-31
23	Shift Fork	1st-2nd & 3rd-4th Gear		T10-23
36	Rev. Gear	39T, 32 Spl.		T10W-46
80	Synchro Assy. (1st-2nd)			AT10P-80
A	Input Shaft Brg.	35x72x17		ZB1021
A	Input Shaft Brg.	35x80x21		ZB1039
A	Input Shaft Brg.	35x80x21 Max Type		ZB1110
B	Main Shaft Pilot Brg.			QA19792
C	Output Shaft Brg.	35x90x23		ZB1124
C	Output Shaft Brg.	35x80x21		ZB1039
C	Output Shaft Brg.	35x80x21 Max Type		ZB1110
D	Countershaft Front Brg.	7/8" Counter Shaft		S443-Q
D	Countershaft Front Brg.	1" Counter Shaft		C407-Q
E	Countershaft Rear Brg.	7/8" Counter Shaft		S443-Q
E	Countershaft Rear Brg.	1" Counter Shaft		C407-Q
F	1st Gear Synchro Ring			ZSY1120
G	2nd Gear Synchronizer Ring			ZSY1120
H	3rd Gear Synchro Ring			ZSY1120
I	4th Gear Synchro Ring			ZSY1120
S	Input Shaft Seal		Ford	3638
S	Input Shaft Seal		GMC	7412-S
S	Output Shaft Seal		Ford	2655
S	Output Shaft Seal		GMC	9613-S
S	Output Shaft Seal		Super T10	472572
S	Output Shaft Seal			410085-N
S	Shift Shaft Seal			7399-S
Z	Gasket Set			Part of GS10-55
	Small Parts Kit		57-73	SPK-10
	Small Parts Kit	Super T10	74-0n	SPK-10W

Transmission Gearing & Related Parts

Borg Warner T45

(Call for parts listings)

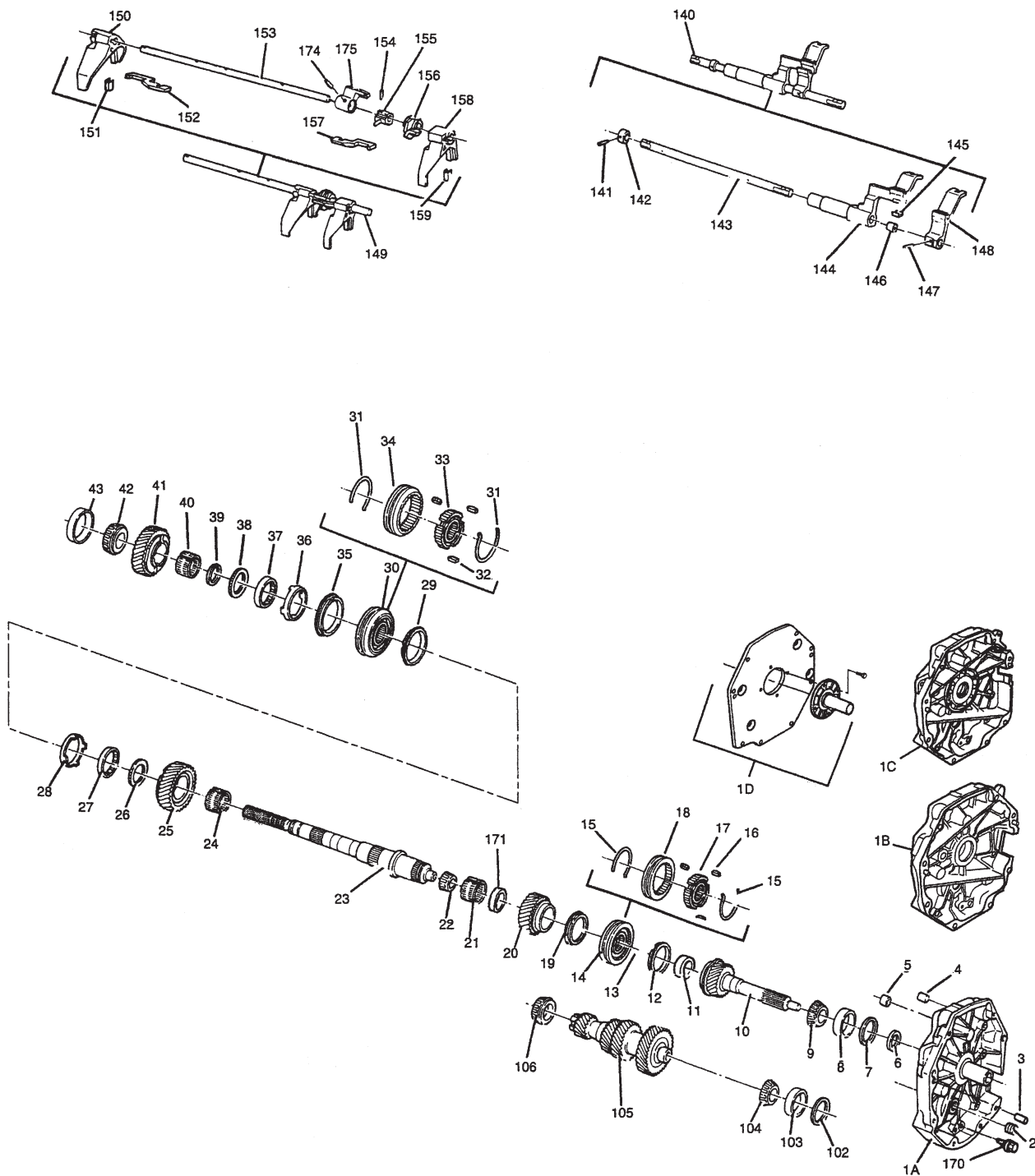


Transmission Gearing & Related Parts

Borg Warner T56

(Call for parts listings)

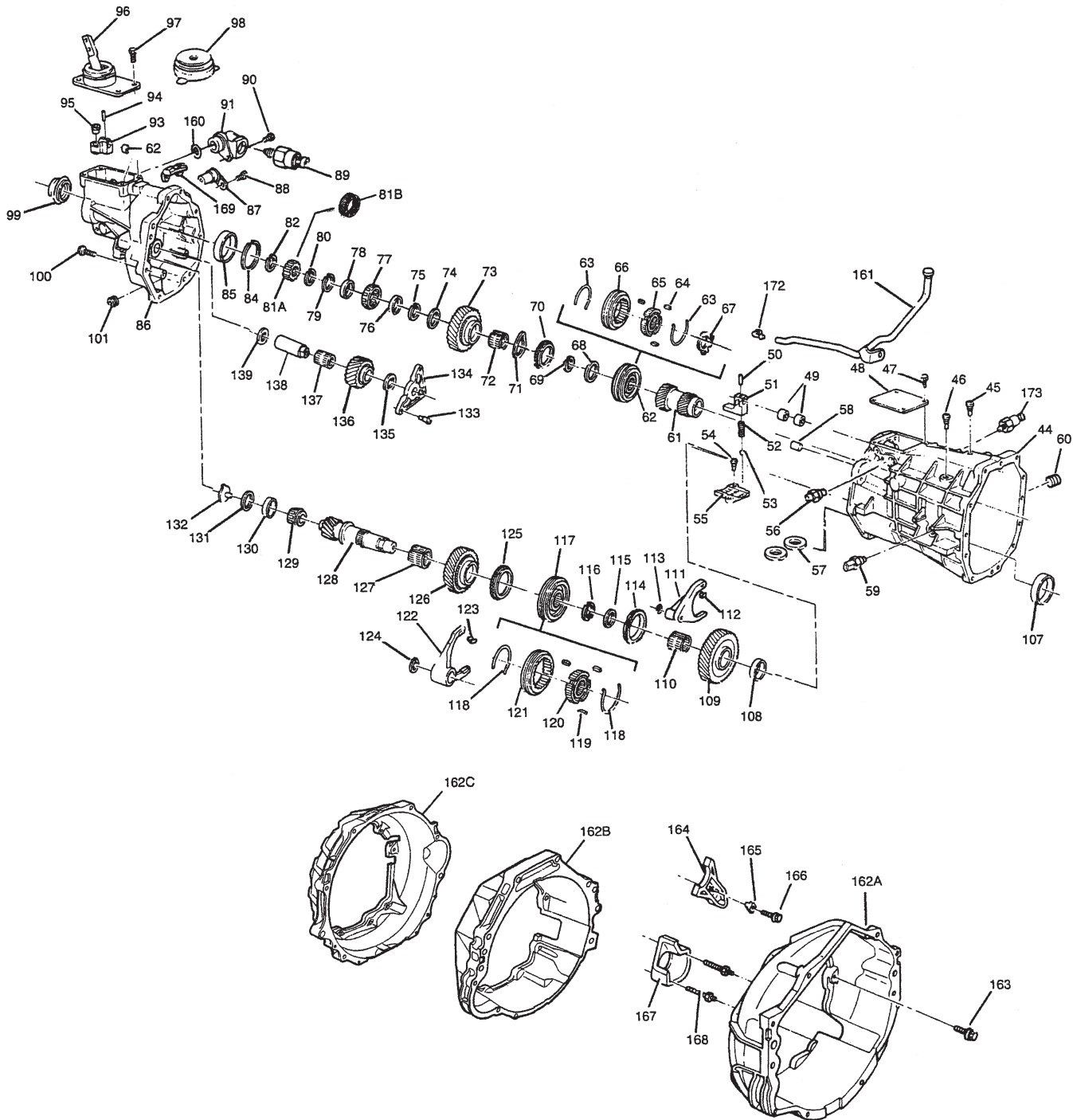
Borg Warner T56



Transmission Gearing & Related Parts

Borg Warner T56

Borg Warner T56



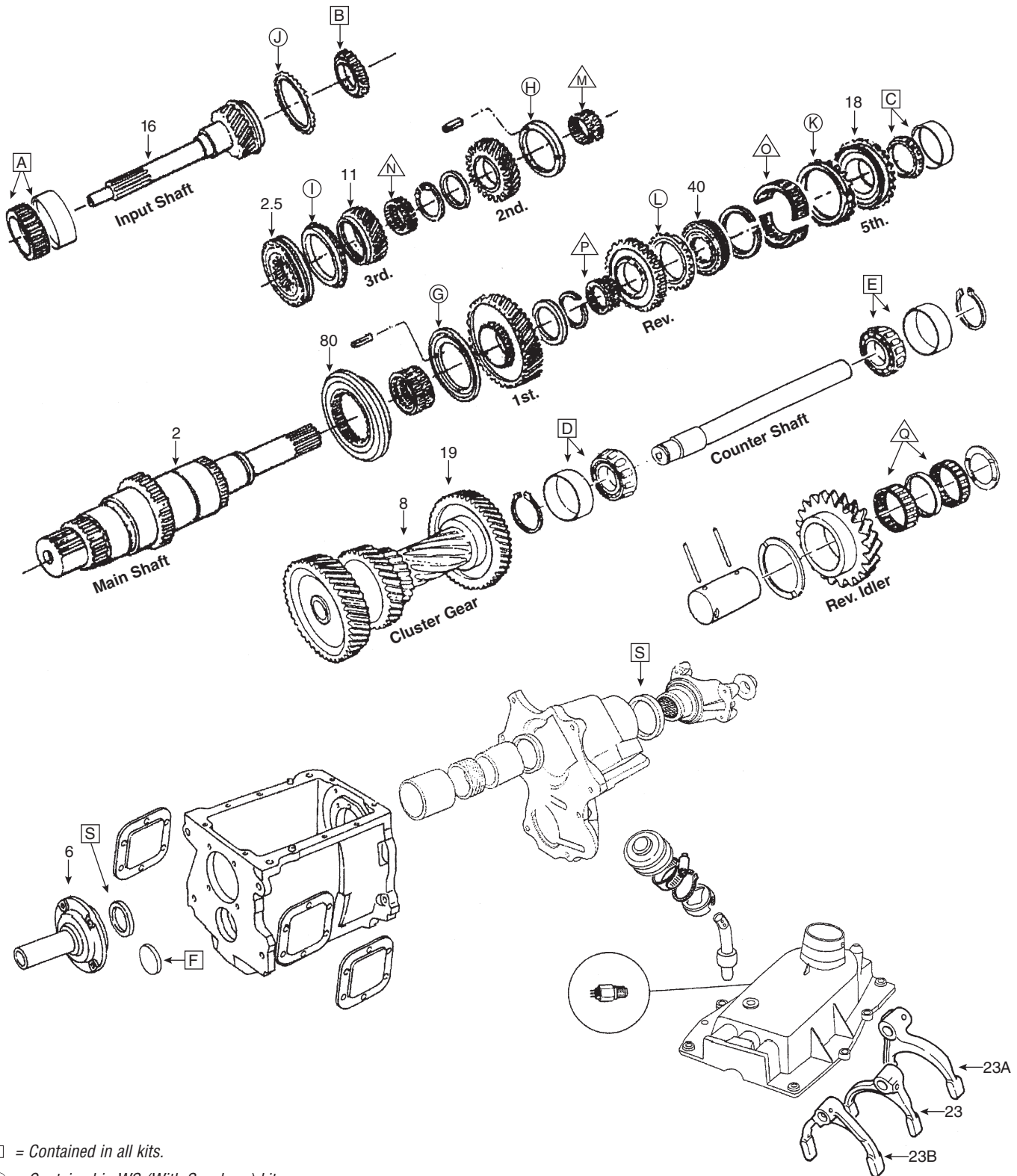
References to original equipment part numbers are for cross reference and identification purpose only.

Visit our web site at:
www.dtcomponents.com
for product and catalog updates.

Transmission Gearing & Related Parts

Getrag G360

Getrag G360



- = Contained in all kits.
- = Contained in WS (With Synchros) kits.
- △ = Contained in N (With Needle Brgs.) kits.

References to original equipment part numbers are for cross reference and identification purpose only.

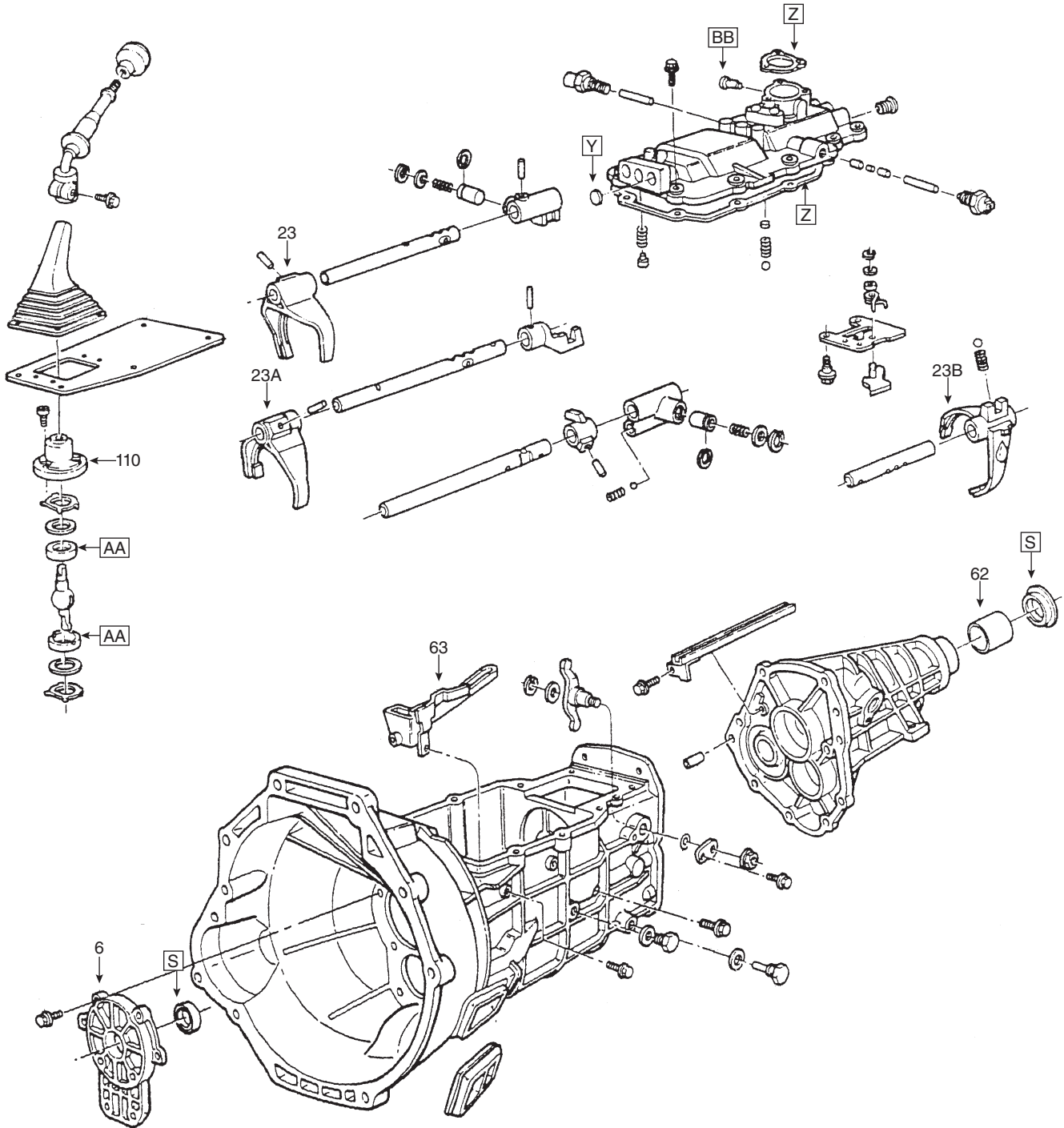
Transmission Gearing & Related Parts

Getrag G360

Position	Description	Specifications	Applications	Part Number
2	Main Shaft		2WD	G360-2
2	Main Shaft		4x4	G360-2A
2.5	Synchro Assy. (3rd-4th)			G360-2.5
2.5	Slider (3rd-4th)			290-15
6	Front Bearing Retainer			G360-6
8	Cluster Gear	w/ 5th Gear		G360-8A
11	3rd Gear	30T		G360-11
16	Input Shaft			G360-16
18	5th Gear (Main Shaft)	21T		G360-18
19	5th Gear (Counter Shaft)	48T		G360-19
23	Shift Fork	1st-2nd Gear		G360-23
23A	Shift Fork	3rd-4th Gear		G360-23A
23B	Shift Fork	5th-Rev. Gear		G360-23B
40	Synchro Assy. (5th-Rev.)			G360-40
40	Slider (5th-Rev.)			G360-15
80	Synchro Assy. (1st-2nd)			G360-80
A	Input Shaft Brg.			ZT1058-ZT1057
B	Main Shaft Pilot Brg.			ZT1021
C	Main Shaft Brg.			ZT1014-ZT1030
D	Countershaft Front Brg.			ZT1019
E	Countershaft Rear Brg.			ZT1019
F	Countershaft Plug			ZM1012
G	1st Gear Synchro Ring			ZSY1171
H	2nd Gear Synchro Ring			ZSY1171
I	3rd Gear Synchro Ring			ZSY1076
J	4th Gear Synchro Ring			ZSY1076
K	5th Gear Synchro Ring			ZSY1076
L	Rev. Gear Synchro Ring			ZSY1076
M	2nd Gear Needle Brg.			ZN1108
N	3rd Gear Needle Brg.			ZN1062
O	5th Gear Needle Brg.			ZN1107
P	Rev. Gear Needle Brg.			ZN1106
Q	Rev. Idler Needle Brg.	Req. 2		ZN1061
S	Input Shaft Seal			224250
S	Output Shaft Seal		2WD	471424
S	Output Shaft Seal		4x4	223608
Z	Gasket Set			Part of GT-261

Transmission Gearing & Related Parts

M5R1 and M5R2



□ = Contained in all kits.

○ = Contained in WS (With Synchros) kits.

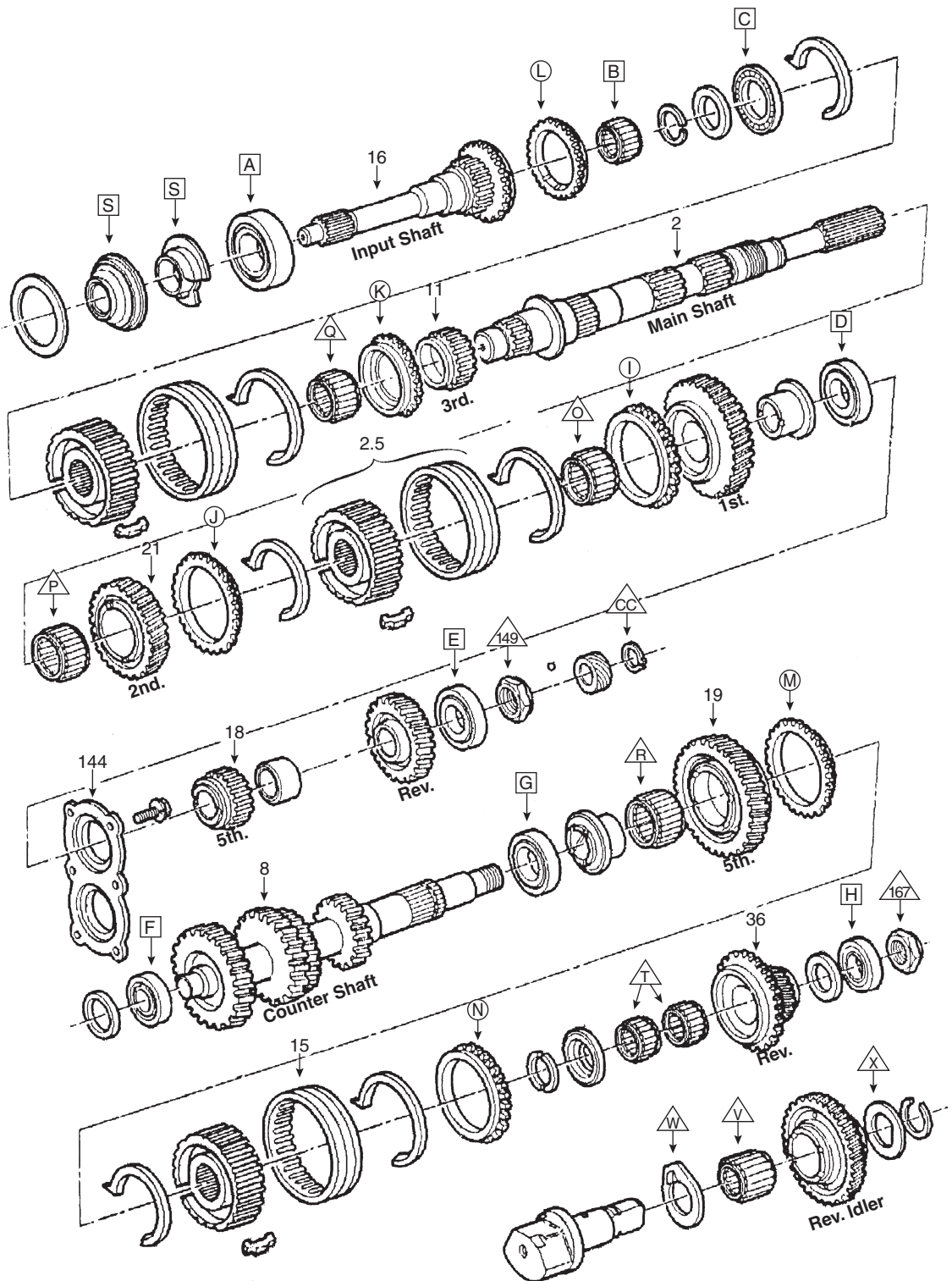
△ = Contained in N (With Needle Brgs.) kits.

References to original equipment part numbers are for cross reference and identification purpose only.

M5R1 and M5R2

Transmission Gearing & Related Parts

M5R1 and M5R2



□ = Contained in all kits.

○ = Contained in WS (With Synchros) kits.

△ = Contained in N (With Needle Brgs.) kits.

M5R1 and M5R2

Transmission Gearing & Related Parts

M5R1

Position	Description	Specifications	Applications	Part Number
2	Main Shaft		2WD	M5R1-2A
2	Main Shaft		4x4	M5R1-2
2.5	Synchro Assy. (3rd-4th)	w/o Keys & Springs		M5R1-2.5
2.5	Synchro Assy. (3rd-4th)	Complete w/Keys & Springs		M5R1-2.5A
6	Front Bearing Retainer			M5R1-6
8	Counter Shaft	38-32-24-16	2.3L, 2.9L & 3.0L	M5R1-8
8	Counter Shaft	38-34-25-17	4.0L	M5R1-8A
11	3rd Gear	29T		M5R1-11
11	3rd Gear	27T		M5R1-11A
15	Slider	5th-Rev. Non-Updated 36T	87-/1/90	M5R1-15
15	Slider	5th-Rev. Updated 30T	1/90-On	M5R1-15A
16	Input Shaft	23T	2.3L, 2.9L & 3.0L	M5R1-16
16	Input Shaft	23T	4.0L	M5R1-16A
18	5th Gear (Main Shaft)	Updated w/Spacer	1/90-On	M5R1-18A
19	5th Gear (Counter Shaft)	Updated	1/90-On	M5R1-19A
21	2nd Gear	32T		M5R1-21
21	2nd Gear	31T		M5R1-21A
23	Shift Fork	1st-2nd Gear		M5R1-23
23A	Shift Fork	3rd-4th Gear		M5R1-23A
36	Rev. Gear	Non-Updated	87-/1/90	M5R1-36
36	Rev. Gear	Updated	1/90-On	M5R1-36A
62	Ext. Housing Bushing			M5R1-62
63	Oil Trough			M5R1-63
110	Shift Stick Rubber Retainer			E8TZ7277A-R
144	Rear Retainer Plate			M5R1-144
149	Main Shaft Nut			ZM1027
167	Counter Shaft Nut			ZM1029
15, 36 & N	Rev. Gear Kit	Rev. Gear, Slider and Synchro Ring (Non-Updated)	87-/1/90	M5R1-RK
15, 36 & N	Rev. Gear Kit Spring & Key Kit	Rev. Gear, Slider and Synchro Ring (Updated) 1st-2nd & 3rd-4th Gear	1/90-On	M5R1-RKL M5R1-K3
A	Input Shaft Brg.			ZT1047
B	Main Shaft Pilot Brg.			ZN1044
C	Main Shaft Thrust Brg.			ZN1028
D	Main Shaft Front Brg.			ZT1036
E	Main Shaft Rear Brg.			ZB1060
F	Countershaft Front Brg.			ZC1021
G	Countershaft Center Brg.			ZC1033
H	Countershaft Rear Brg.			ZB1034
I	1st Gear Synchro Ring			ZSY1054
J	2nd Gear Synchro Ring			ZSY1054
K	3rd Gear Synchro Ring			ZSY1054
L	4th Gear Synchro Ring			ZSY1054
M	5th Gear Synchro Ring	36T Non-Updated	87-/1/90	ZSY1055
M	5th Gear Synchro Ring	30T Updated	1/90-On	ZSY1057

References to original equipment part numbers are for cross reference and identification purpose only.

Transmission Gearing & Related Parts

M5R1 continued

Position	Description	Specifications	Applications	Part Number
N	Rev. Gear Synchro Ring	30T Non-Updated	87-/1/90	ZSY1077
N	Rev. Gear Synchro Ring	24T Updated	1/90-On	ZSY1058
O	1st Gear Needle Brg.			ZN1124
P	2nd Gear Needle Brg.			ZN1124
Q	3rd Gear Needle Brg.			ZN1133
R	5th Gear Needle Brg.			ZN1126
S	Input Shaft Seal			1990-
S	Input Shaft Oil Ring			BZ3541E
S	Input Shaft Oil Baffle			ZM1014
S	Output Shaft Seal		2WD	14900-
S	Output Shaft Seal		4x4	1981-
T	Rev. Gear Needle Brg.			ZN1134
U	Rev. Gear Thrust Washer			ZN1128
V	Rev. Idler Gear Needle Brg.			ZN1125
W	Rev. Idler Gear Thrust Washer			ZN1135
X	Rev. Idler Gear Thrust Washer			ZN1129
Y	Expansion Plug			ZM1013
Z	Gasket Set			GT-247
Z	Top Cover Gasket			GT-247R
AA	Shift Socket			ZM1008
BB	Shift Pin			M50-P1
CC	Main Shaft Snap Ring			ZM1028

Transmission Gearing & Related Parts

M5R2

Position	Description	Specifications	Applications	Part Number
2	Main Shaft		4x4	M5R2-2
2.5	Synchro Assy. (3rd-4th)	w/o Keys & Springs		M5R2-2.5
2.5	Synchro Assy. (3rd-4th)	Complete w/Keys & Springs		M5R2-2.5A
8	Counter Shaft	37-31-24-15		M5R2-8
11	3rd Gear	30T		M5R2-11
15	Slider	5th-Rev. Non-Updated 42T	87-/1/90	M5R2-15
15	Slider	5th-Rev. Updated 33T	1/90-On	M5R2-15A
16	Input Shaft	11" OAL	88-95	M5R2-16
16	Input Shaft	11 ⁵ / ₈ " OAL	96-On	M5R2-16A
18	5th Gear (Main Shaft)	27T		M5R2-18
19	5th Gear (Counter Shaft)	Non-Updated	87-/1/90	M5R2-19
19	5th Gear (Counter Shaft)	Updated	1/90-On	M5R2-19A
23	Shift Fork	1st-2nd Gear	88-95	M5R2-23
23	Shift Fork	1st-2nd Gear	96-On	M5R2-23AA
23A	Shift Fork	3rd-4th Gear	88-95	M5R2-23A
23A	Shift Fork	3rd-4th Gear	96-On	M5R2-23AB
23B	Shift Fork	5th-Rev. Gear Updated	1/90-On	M5R2-23B
36	Rev. Gear	15T Non-Updated	87-/1/90	M5R2-36
36	Rev. Gear	15T Updated	1/90-On	M5R2-36A
62	Ext. Housing Bushing			M5R1-62
63	Oil Trough			M5R2-63
110	Shift Stick Rubber Retainer			E8TZ7277A-R
144	Rear Retainer Plate			M5R2-144
149	Main Shaft Nut			M5R2-149
167	Counter Shaft Nut			ZM1029
15, 36 & N	Rev. Gear Kit	Rev. Gear, Slider and Synchro Ring (Non-Updated)	87-/1/90	M5R2-RK
15, 36 & N	Rev. Gear Kit	Rev. Gear, Slider and Synchro Ring (Updated)	1/90-On	M5R2-RKL
	Spring & Key Kit	1st-2nd & 3rd-4th Gear		M5R2-K3
A	Input Shaft Brg.			ZT1087
B	Main Shaft Pilot Brg.			ZN1034
C	Main Shaft Thrust Brg.			ZN1035
D	Main Shaft Front Brg.			ZT1088
E	Main Shaft Rear Brg.			ZB1061
F	Countershaft Front Brg.			ZC1010
G	Countershaft Center Brg.			ZC1023
H	Countershaft Rear Brg.			ZB1034
I	1st Gear Synchro Ring			ZSY1059
J	2nd Gear Synchro Ring			ZSY1059
K	3rd Gear Synchro Ring			ZSY1059
L	4th Gear Synchro Ring			ZSY1059

References to original equipment part numbers are for cross reference and identification purpose only.

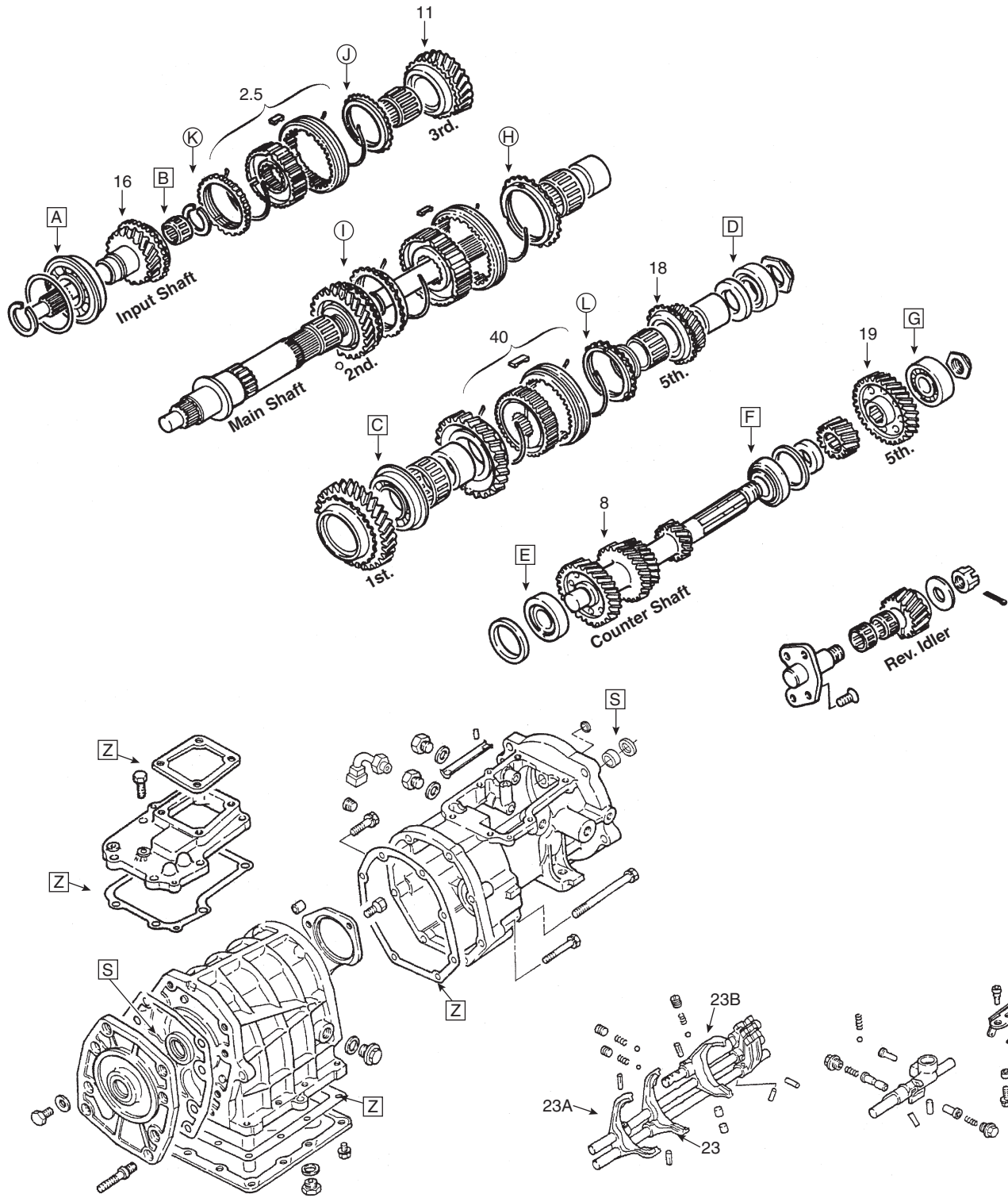
Transmission Gearing & Related Parts

M5R2 continued

Position	Description	Specifications	Applications	Part Number
M	5th Gear Synchro Ring	42T Non-Updated	87-/1/90	ZSY1054
M	5th Gear Synchro Ring	33T Updated	1/90-On	ZSY1060
N	Rev. Gear Synchro Ring	36T Non-Updated	87-/1/90	ZSY1056
N	Rev. Gear Synchro Ring	30T Updated	1/90-On	ZSY1061
O	1st Gear Needle Brg.			ZN1124
P	2nd Gear Needle Brg.			ZN1124
Q	3rd Gear Needle Brg.			ZN1123
R	5th Gear Needle Brg.			ZN1126
S	Input Shaft Seal			223012-
S	Input Shaft Oil Ring			ZM1015
S	Input Shaft Oil Baffle			BZ3421E
S	Output Shaft Seal		2WD	14900-
S	Output Shaft Seal		4x4	223608-
T	Rev. Gear Needle Brg.			ZN1071
U	Rev. Gear Thrust Washer			ZN1128
V	Rev. Idler Gear Needle Brg.			ZN1132
W	Rev. Idler Gear Thrust Washer			ZN1130
X	Rev. Idler Gear Thrust Washer			ZN1131
Y	Expansion Plug			ZM1013
Z	Gasket Set			GT-248
Z	Top Cover Gasket			GT-248R
AA	Shift Socket			ZM1008
BB	Shift Pin			M50-P1
CC	Main Shaft Snap Ring			ZM1028

Transmission Gearing & Related Parts

Mitsubishi FM145, FM146 and D50



□ = Contained in all kits.

○ = Contained in WS (With Synchros) kits.

△ = Contained in N (With Needle Brgs.) kits.

References to original equipment part numbers are for cross reference and identification purpose only.

Transmission Gearing & Related Parts

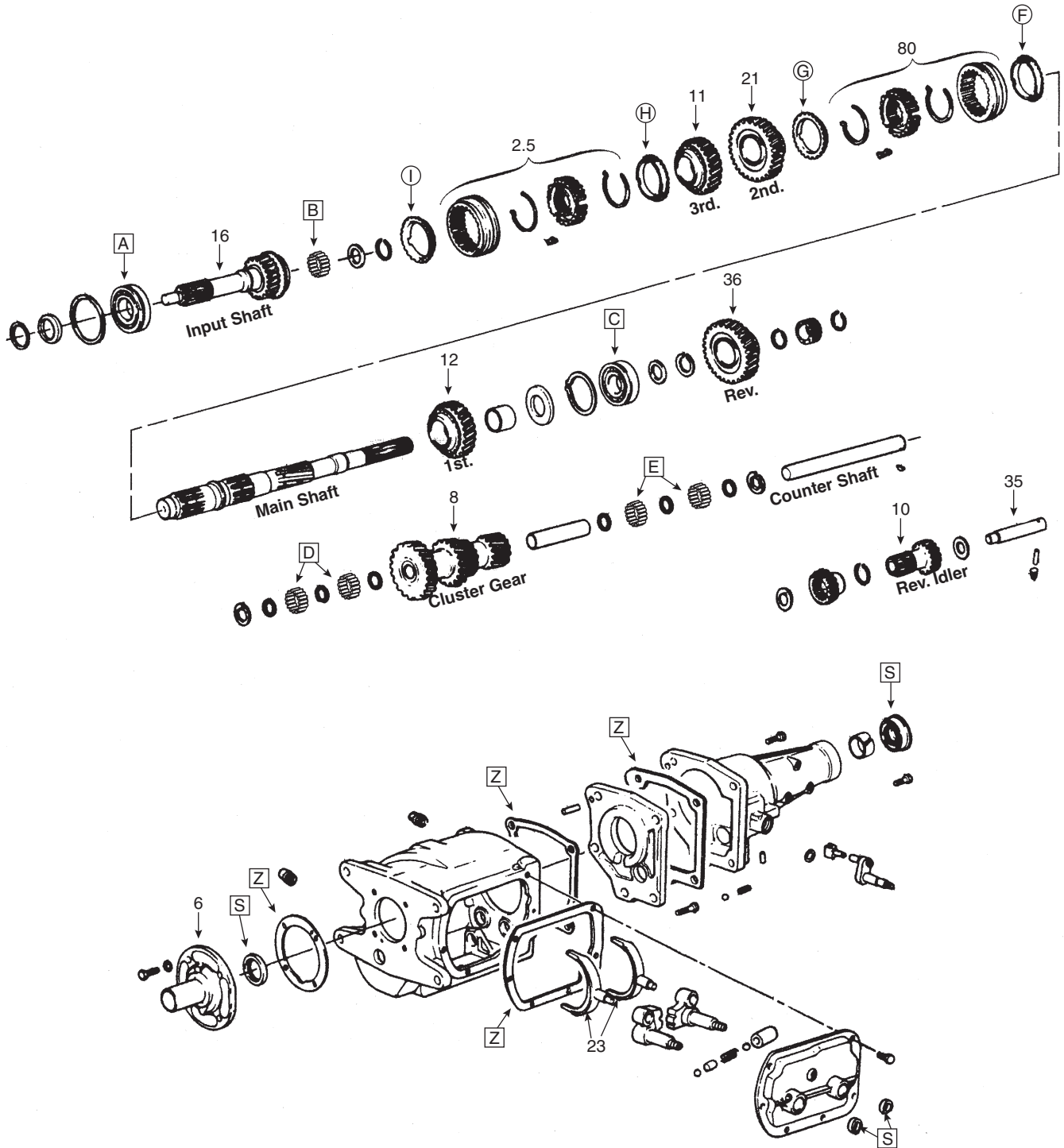
Mitsubishi FM145, FM146 and D50

Position	Description	Specifications	Applications	Part Number
2.5	Synchro Assy. (3rd-4th)		D50, FM145 & FM146	MIT-2.5
8	Counter Shaft	28-26-20-13		MIT-8
8	Counter Shaft	28-24-19-13		MIT-8A
8	Counter Shaft	28-26-20-13 (1.837" 1st Gear)		D50-8
8	Counter Shaft	28-26-20-13 (1" 1st Gear)		D50-8A
11	3rd Gear	24T		MIT-11
16	Input Shaft	20T		MIT-16D
16	Input Shaft	19T		MIT16F
16	Input Shaft	19T (6307 I/S Brg) w/o ID Groove		D50-16
16	Input Shaft	19T (6307 I/S Brg) w/1 ID Groove		D50-16A
16	Input Shaft	19T (TMSC0788N I/S Brg.)		D50-16B
18 & 19	5th Gear Set	Updated	D50, FM145 & FM146	MIT-5
23	Shift Fork	1st-2nd Gear	D50, FM145 & FM146	D50-30A
23A	Shift Fork	3rd-4th Gear	D50, FM145 & FM146	D50-89A
23B	Shift Fork	5th-Rev. Gear	D50, FM145 & FM146	D50-31A
40	Synchro Assy. (5th-Rev.)		D50 & FM145	FM145-40
40	Synchro Assy. (5th-Rev.)		FM146	MIT-40
A	Input Shaft Brg.		FM145 & FM146	ZB1085
B	Main Shaft Pilot Brg.		FM145 & FM146	ZN1043
C	Main Shaft Front Brg.		FM145 & FM146	ZB1052
D	Main Shaft Rear Brg.		FM145 & FM146	ZB1099
E	Countershaft Front Brg.		FM145 & FM146	ZT1015
F	Countershaft Center Brg.		FM145 & FM146	ZT1015
G	Countershaft Rear Brg.		FM145 & FM146	ZB1062
H	1st Gear Synchro Ring			ZSY1068
I	2nd Gear Synchro Ring			ZSY1069
J	3rd Gear Synchro Ring			ZSY1070
K	4th Gear Synchro Ring			ZSY1070
L	5th Gear Synchro Ring			ZSY1070
	Rev. Gear Synchro Ring			ZSY1075
S	Input Shaft Seal			1981
S	Output Shaft Seal		FM145 & FM146 (2WD)	2655
S	Output Shaft Seal		FM145 & FM146 (4x4)	223520
Z	Gasket Set		FM145 & FM146	Part of GT-50

Transmission Gearing & Related Parts

Muncie M20, M21 & M22

Muncie M20, M21 & M22



□ = Contained in all kits.

○ = Contained in WS (With Synchros) kits.

△ = Contained in N (With Needle Brgs.) kits.

References to original equipment part numbers are for cross reference and identification purpose only.

Transmission Gearing & Related Parts

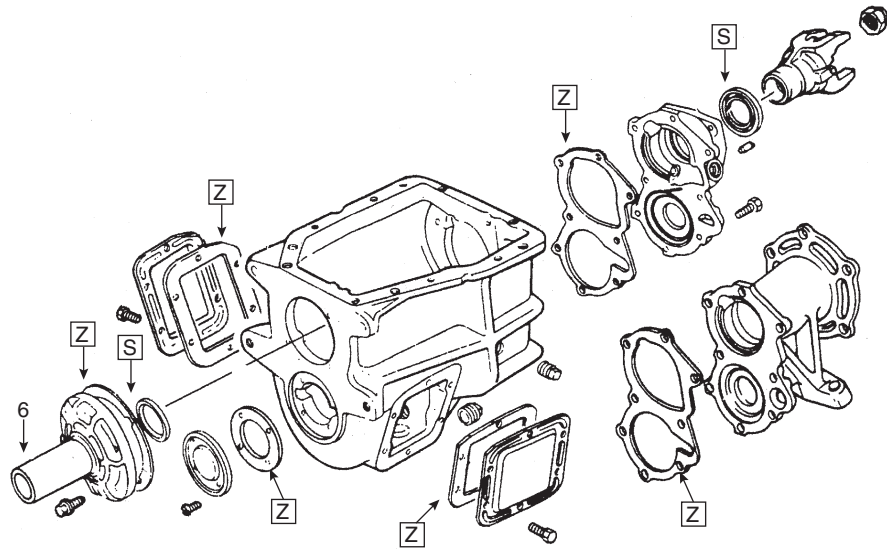
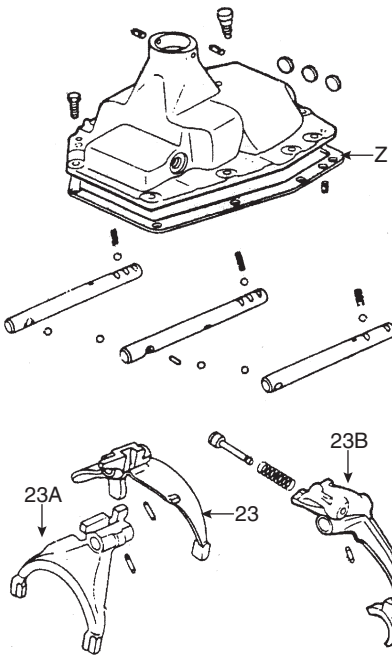
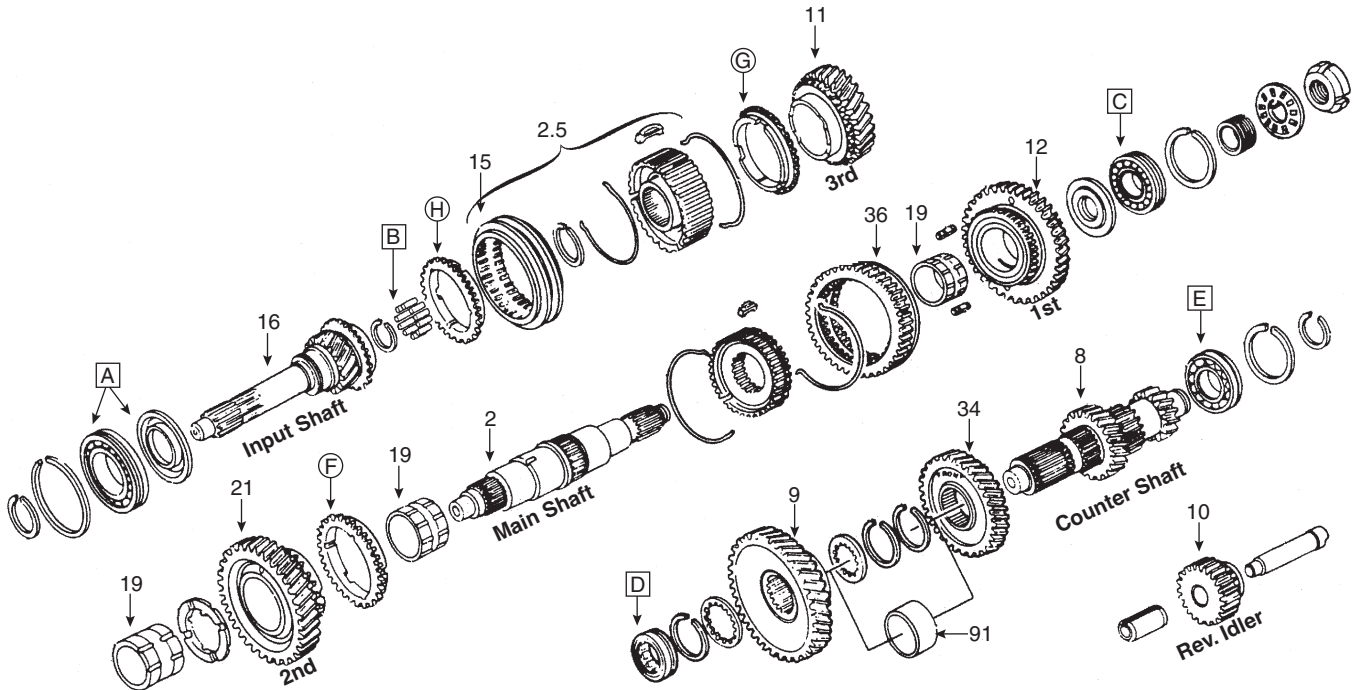
Muncie M20, M21 & M22

Position	Description	Specifications	Applications	Part Number
2.5	Synchro Assy. (3rd-4th)			AWT297-2.5A
6	Front Bearing Retainer			WT297-6
8	Cluster Gear	27-22-19-17	(63-65) M21, 7/8" C/S Pin (Close Ratio)	WT297-8
8	Cluster Gear	29-22-19-17	(63-65) M20, 7/8" C/S Pin (Wide Ratio)	WT297-8A
8	Cluster Gear	25-22-19-17	(66-74) M20, 1" C/S Pin (Wide Ratio)	AWT297-8C
8	Cluster Gear	27-22-19-17	(66-74) M21, 1" C/S Pin (Close Ratio)	WT297-8D
8	Cluster Gear	27-22-19-17	(66-74) M22 (Close Ratio)	WT297-8E
10	Rev. Idler Gear		Rear	AWT297-10A
10	Rev. Idler Gear		Front (M20 & M21)	WT297-10
10	Rev. Idler Gear		Front (M22)	WT297-10B
11	3rd Gear	27T	M20 & M21	WT297-11
11	3rd Gear	27T	M22	WT297-11A
12	1st Gear	36T	M20 & M21 (63) w/Snapping Counterbore & Thrust Washer	N/A
12	1st Gear	36T	M20 & M21 (64-74)	WT297-12A
12	1st Gear	36T	M22 (66-74)	WT297-12B
16	Input Shaft	26T, 10 Spl.	M21 (63-71) 1 ID Ring On Input	AWT297-16
16	Input Shaft	24T, 10 Spl.	M20 (63-65) No ID Rings on Input	AWT297-16A
16	Input Shaft	21T, 10 Spl.	M20 (66-70) 2 ID Rings on Input	AWT297-16B
16	Input Shaft	21T, 26 Spl.	M20 & M21 (71-74)	AWT297-16C
16	Input Shaft	26T, 26 Spl.	M20 & M21 (71-74)	AWT297-16D
16	Input Shaft	26T, 26 Spl.	M22 (71-74)	AWT297-16F
16	Input Shaft	26T, 10 Spl.	M22 (63-70)	AWT297-16U
21	2nd Gear	30T	M20 & M21	WT297-21
21	2nd Gear	30T	M22	WT297-21A
23	Shift Fork	1st-2nd & 3rd-4th		WT297-23
35	Rev. Idler Gear Shaft			WT297-35
36	Rev. Gear	35T		WT297-36
80	Synchro Assy. (1st-2nd)	w/o Keys & Springs		AWT297-80A
A	Input Shaft Brg.		63	ZB1021
A	Input Shaft Brg.		63-74	ZB1089
B	Main Shaft Pilot Brg.			JV441419
C	Main Shaft Rear Brg.			ZB1040
C	Main Shaft Rear Brg.		Max Type	ZB1014
D	Countershaft Front Brg.		7/8" Diameter Counter Shaft	S443-Q
D	Countershaft Front Brg.		1" Diameter Counter Shaft	C407-Q
E	Countershaft Rear Brg.		7/8" Diameter Counter Shaft	S443-Q
E	Countershaft Rear Brg.		1" Diameter Counter Shaft	C407-Q
F	1st Gear Synchro Ring		62-65	ZSY1196
F	1st Gear Synchro Ring		66-74	ZSY1197
G	2nd Gear Synchro Ring		62-65	ZSY1196
G	2nd Gear Synchro Ring		66-74	ZSY1197
H	3rd Gear Synchro Ring		62-65	ZSY1196
H	3rd Gear Synchro Ring		66-74	ZSY1197
I	4th Gear Synchro Ring		62-65	ZSY1196
I	4th Gear Synchro Ring		66-74	ZSY1197
S	Input Shaft Seal			7412-S
S	Output Shaft Seal		27 Spline	9613-S
S	Output Shaft Seal		32 Spline	4333-N
S	Shift Shaft Seal			727410
Z	Gasket Set			Part of GS297-55
	Rear Ext. Bushing	Small	27 Spl.	WT266-62
	Rear Ext. Bushing	Large	32 Spl.	WT297-62
	Small Parts Kit		Early (1963-1965)	SP297-50
	Small Parts Kit		Late (1966-1974)	SP297-50A
	Spring & Key Kit		1st-2nd & 3rd-4th	WT297-K

Transmission Gearing & Related Parts

Muncie SM465

Muncie SM465



□ = Contained in all kits.

○ = Contained in WS (With Synchros) kits.

△ = Contained in N (With Needle Brgs.) kits.

References to original equipment part numbers are for cross reference and identification purpose only.

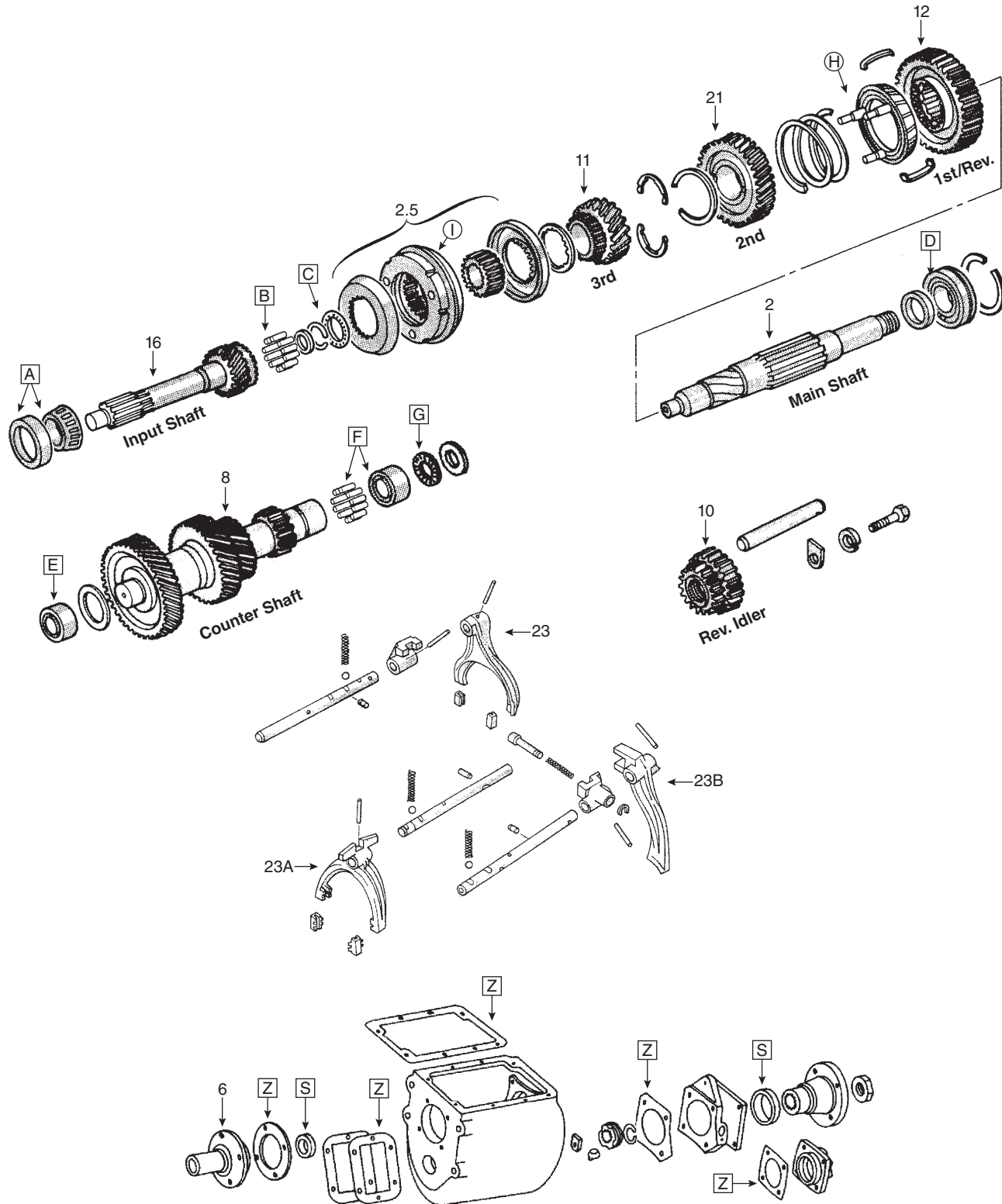
Transmission Gearing & Related Parts

Muncie SM465

Position	Description	Specifications	Applications	Part Number
2	Main Shaft	10 Spl.	4x4	AWT304-2A
2	Main Shaft	31 Spl.	4x4	WT304-2D
2	Main Shaft	35 Spl.	2WD	WT304-2A
2.5	Synchro Assy. (3rd-4th)			AWT304-2.5
6	Front Bearing Retainer	11/16" Clutch Spl.		AWT304-6
6	Front Bearing Retainer	11/2" Clutch Spl.		AWT304-6A
8	Counter Shaft	Front C/S Brg. 1.33"	68-78	WT304-3
8	Counter Shaft	Front C/S Brg. 1.40"	79-On	WT304-3A
10	Rev. Idler Gear	23T		WT304-10
11	3rd Gear	26T		WT304-11
11	3rd Gear & Slider	Updated		WT304-11AX
12	1st Gear	39T		WT304-12
15	Slider	3rd-4th Gear		WT304-15
16	Input Shaft	1 1/16" Clutch Spl., 17T	68-90	WT304-16A
16	Input Shaft	1 1/2 Clutch Spl., 17T	68-90	WT304-16
16	Input Shaft		90-91	WT304-16C
19	Bushing	1st Gear (68-77)		WT304-19
19	Bushing	1st Gear (78-On), 2nd Gear		WT304-19B
19	Bushing	3rd Gear		WT304-19A
21	2nd Gear	35T		WT304-21
23	Shift Fork	1st - 2nd Gear, Iron Top Cover		WT304-23
23	Shift Fork	1st - 2nd Gear, Alum. Top Cover		WT304-23G
23A	Shift Fork	3rd-4th Gear, Iron Top Cover		WT304-23A
23A	Shift Fork	3rd-4th Gear, Alum. Top Cover		WT304-23H
23B	Shift Fork	Rev., Iron Top Cover		WT304-23B
23B	Shift Fork	Rev., Alum. Top Cover		WT304-23J
34	Counter Shaft 3rd Gear	36T		WT304-34
36	Slider	1st - 2nd/Rev. Gear		WT304-36
91	Spacer	Updated		WT304-91
A	Input Shaft Brg.		68-90	N1211-L
A	Input Shaft Brg.		90-91	211-FFLE
B	Main Shaft Pilot Brg.			QAR34604
C	Output Shaft Brg.			ZB1014
D	Countershaft Front Brg.		68-78	M1305GGTV
D	Countershaft Front Brg.		79-On	R1563TAV
E	Countershaft Rear Brg.			1308-L
F	2nd Gear Synchronizer Ring			ZSY1001
G	3rd Gear Synchronizer Ring			ZSY1000
H	4th Gear Synchronizer Ring			ZSY1000
S	Input Shaft Seal			481181-N
S	Output Shaft Seal			410085-N
Z	Gasket Set			Part of GT-157
	Small Parts Kit			SPK-M465

Transmission Gearing & Related Parts

New Process 435



□ = Contained in all kits.

○ = Contained in WS (With Synchros) kits.

△ = Contained in N (With Needle Brgs.) kits.

References to original equipment part numbers are for cross reference and identification purpose only.

New Process 435

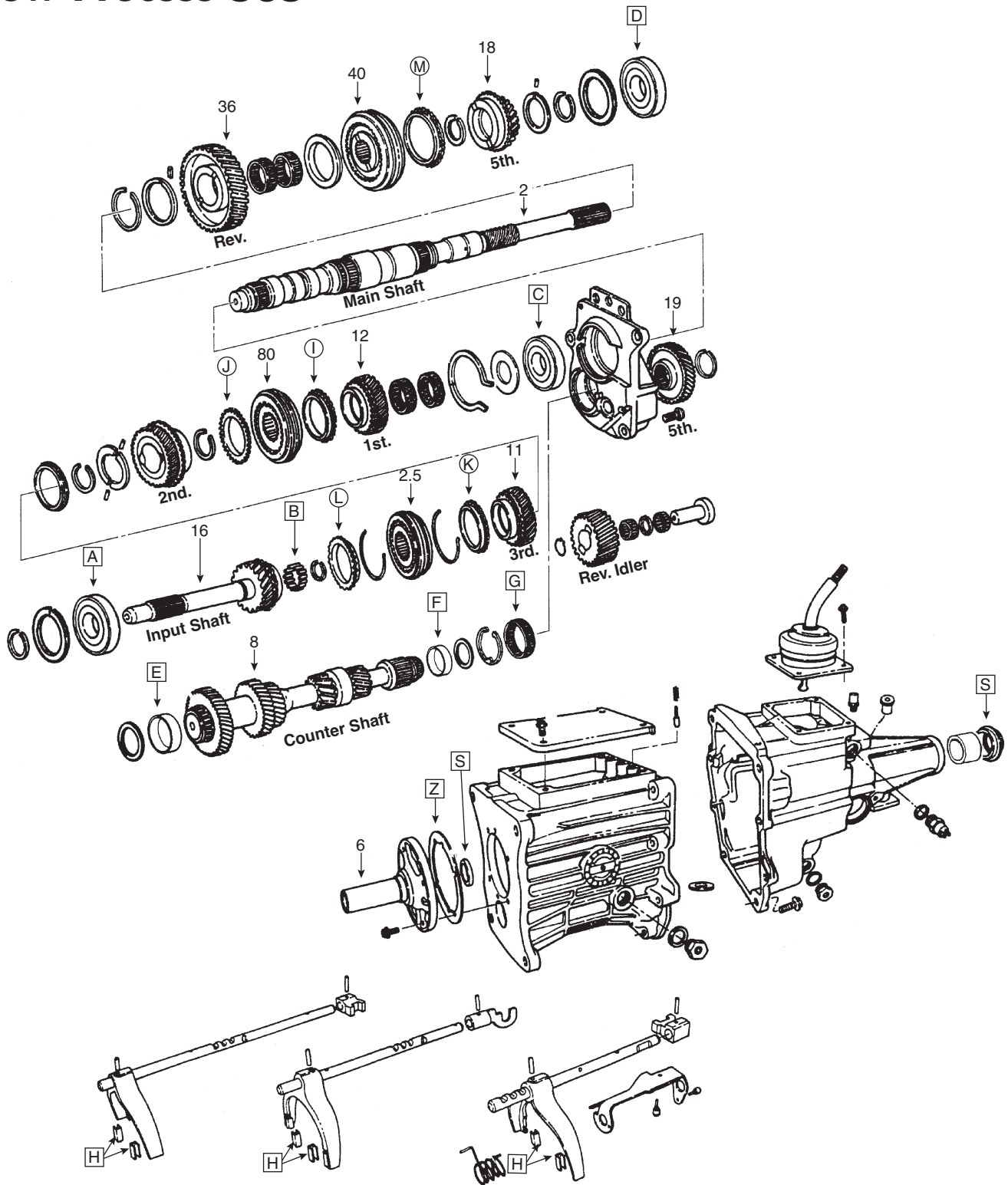
Transmission Gearing & Related Parts

New Process 435

Position	Description	Specifications	Applications	Part Number
2	Main Shaft	13 $\frac{1}{2}$ " OAL, 35/10/35 Spl.		AWT291-2B
2	Main Shaft	13 $\frac{5}{8}$ " OAL, 35/10/35 Spl.		WT292-2
2	Main Shaft	13 $\frac{5}{8}$ " OAL, 35/10/10 Spl.		WT291-2D
2	Main Shaft	16 $\frac{3}{4}$ " OAL, 35/10/28 Spl.		WT291-2E
2	Main Shaft	16 $\frac{3}{8}$ " OAL, 35/10/32 Spl.		WT291-2G
2	Main Shaft	19 $\frac{5}{32}$ " OAL, 35/10/31 Spl.		WT291-2J
2	Main Shaft	19 $\frac{1}{2}$ " OAL, 35/10/32 Spl.		WT291-2K
2.5	Synchro Assy. (3rd-4th)	No Cones Or Hub		AWT275-2.5B
2.5	Synchro Assy. (3rd-4th)	Complete	Taper I/S Brg.	AWT291-2.5D
2.5	Synchro Assy. (3rd-4th)	Complete	Ball I/S Brg.	AWT275-2.5E
6	Front Bearing Retainer		Dodge	WT291-6A
6	Front Bearing Retainer		Dodge	4340264
6	Front Bearing Retainer		Ford	WT291-6
8	Counter Shaft	43-35-25-S14		WT291-3
8	Counter Shaft	43-34-25-S14		WT291-3D
10	Rev. Idler Gear	21T Bearing Style		AWT291-10B
10	Rev. Idler Gear	21T Bushing Style		AWT291-10C
11	3rd Gear	23T		WT291-11
11	3rd Gear	24T		WT291-11C
12	1st Gear/Rev. Gear	37T		AWT291-12A
16	Input Shaft	9 $\frac{1}{8}$ " OAL, 17T	GMC	WT291-16B
16	Input Shaft	9 $\frac{5}{16}$ " OAL, 17T	Ford	WT291-16C
16	Input Shaft	10 $\frac{1}{16}$ " OAL, 17T	Ford	WT291-16H
16	Input Shaft	9 $\frac{1}{8}$ " OAL, 17T	Ford	WT291-16J
16	Input Shaft	10 $\frac{7}{8}$ " OAL, 17T	Dodge	WT291-16Q
16	Input Shaft	11 $\frac{1}{16}$ " OAL, 17T	Dodge	WT291-16R
21	2nd Gear	33T		WT291-21
23A	Shift Fork	3rd-4th Gear		2508015
A	Input Shaft Brg.	Tapered Cone & Cup		HM88649-HM88610
A	Input Shaft Brg.	Ball Bearing		ZB1014
B	Main Shaft Pilot Brg.			Q15902-F
C	3rd & 4th Gear Synchronizer Thrust Brg.			FA35688
D	Output Shaft Brg.			ZB1014
E	Countershaft Front Brg.			M24161X1
F	Countershaft Rear Brg.			ZN1083
G	Countershaft Rear Thrust Brg.			NTA2031
H	2nd Gear Synchronizer Ring			ZSY1208
I	3rd & 4th Gear Synchronizer			AWT275-2.5B
S	Input Shaft Seal	1.375" Shaft		482163-N
S	Input Shaft Seal	1.500" Shaft		470380
S	Input Shaft Seal	1.562" Shaft		8160-S
S	Output Shaft Seal	2.125" Shaft		470898
S	Output Shaft Seal	2.500" Shaft		471271
S	Remote Control Seal			350679
Z	Gasket Set			Part of GT-127
	Small Parts Kit			SPK-127

Transmission Gearing & Related Parts

New Process 535



□ = Contained in all kits.

○ = Contained in WS (With Synchros) kits.

△ = Contained in N (With Needle Brgs.) kits.

References to original equipment part numbers are for cross reference and identification purpose only.

Transmission Gearing & Related Parts

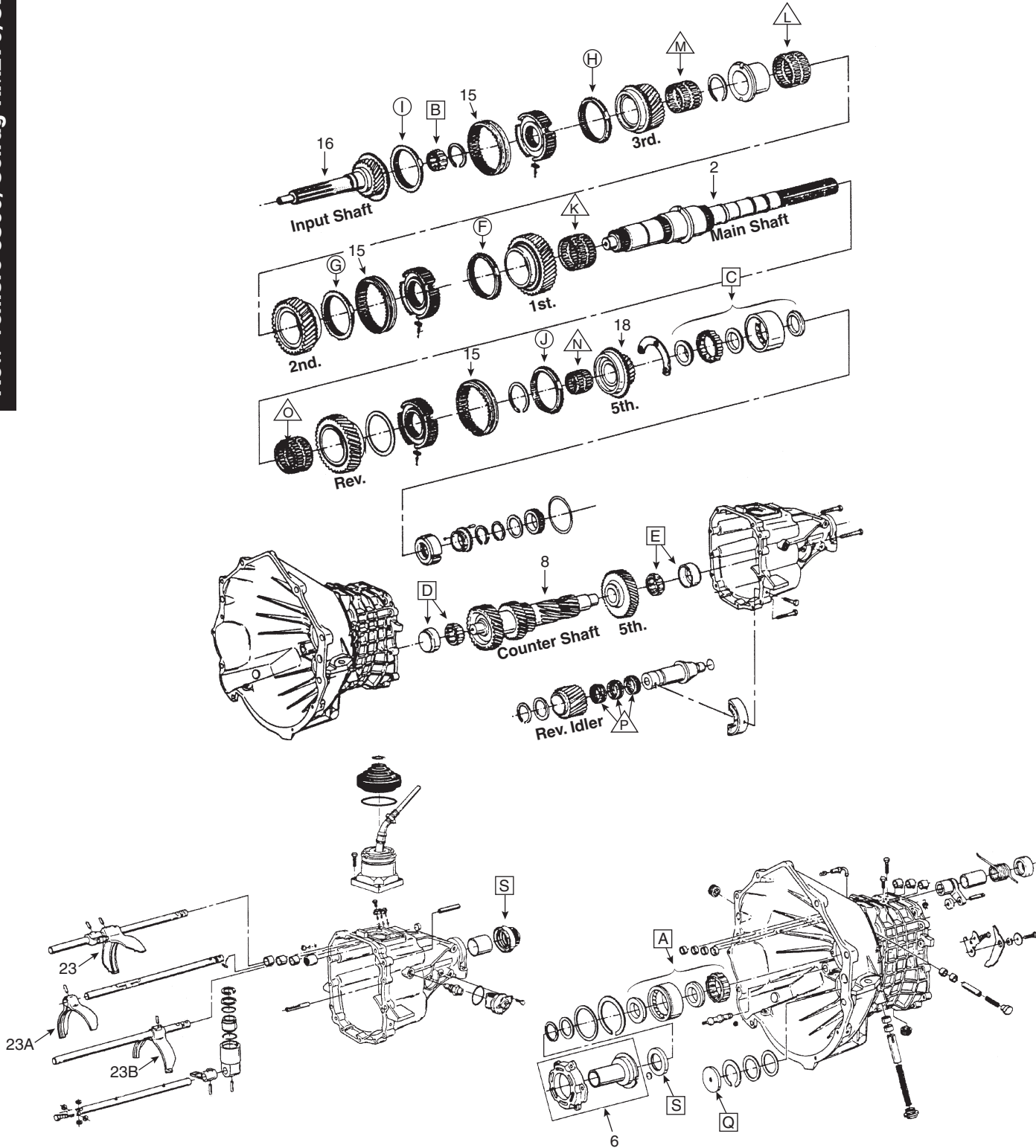
New Process 535

Position	Description	Specifications	Applications	Part Number
2	Main Shaft		2WD	4338192
2	Main Shaft		4x4	535-2
2.5	Synchro Assy. (3rd-4th)	w/o Keys & Springs		535-2.5
2.5	Synchro Assy. (3rd-4th)	Complete w/Keys & Springs		535-2.5A
6	Front Bearing Retainer			535-6
8	Counter Shaft	w/o 5th Gear		535-8
8	Counter Shaft	w/ 5th Gear		535-8A
11	3rd Gear	30T		535-11
12	1st Gear	37T		535-12
16	Input Shaft			535-16
18	5th Gear (Main Shaft)	23T		535-18
19	5th Gear (Counter Shaft)	39T		535-19
36	Rev. Gear	38T		535-36
40	Synchro Assy. (5th-Rev.)	w/o Keys & Springs		535-2.5
40	Synchro Assy. (5th-Rev.)	Complete w/Keys & Springs		535-2.5A
80	Synchro Assy. (1st-2nd)	w/o Keys & Springs		535-80
A	Input Shaft Brg.			307-L
B	Main Shaft Pilot Brg.			QBR23549
C	Main Shaft Front Brg.			208-L
D	Main Shaft Rear Brg.			207-L
E	Countershaft Front Brg.			LM67048-LM67010
F	Countershaft Center Brg.			LM11949-LM11910
G	Countershaft Rear Brg.			ZN1031
H	Fork Pad			ZM1011
I	1st Gear Synchro Ring			ZSY1174
J	2nd Gear Synchro Ring			ZSY1174
K	3rd Gear Synchro Ring			ZSY1091
L	4th Gear Synchro Ring			ZSY1091
M	5th Gear Synchro Ring			ZSY1091
S	Input Shaft Seal			9376
S	Output Shaft Seal		2WD	2506
S	Output Shaft Seal		4x4	225010
Z	Gasket Set			Part of GT-535

Transmission Gearing & Related Parts

New Venture 3500/Getrag HM290/5LM60

New Venture 3500/Getrag HM290/5LM60



□ = Contained in all kits.

○ = Contained in WS (With Synchros) kits.

△ = Contained in N (With Needle Brgs.) kits.

References to original equipment part numbers are for cross reference and identification purpose only.

Transmission Gearing & Related Parts

New Venture 3500/Getrag HM290/5LM60

Position	Description	Specifications	Applications	Part Number
2	Main Shaft	Fits 1st & 2nd Design	4x4, 88-91	290-2
2	Main Shaft	Fits 3rd Design	4x4, 91-On	290-2A
6	Front Bearing Retainer	Fits 1st & 2nd Design	88-91	290-6N
6	Front Bearing Retainer	Fits 3rd Design	91-On	290-6A
8	Counter Shaft	34-28-22-14-14, 1" Journal	88-91, GM	290-8R
8	Counter Shaft	34-28-22-14-14, 1.18" Journal	91-93, GM	290-8AR
8	Counter Shaft	34-28-22-14(Long), 1.18" Journal	94-On, GM & Dodge	290-8BR
8	Counter Shaft	34-28-23-15-14(1.2" wide)-37, 1.18" Journal	96-On, GM S-10	290-8CR
8	Counter Shaft	34-28-23-15-14(2.4" wide)-37, 1.18" Journal	94-On, GM & Dodge	290-8DR
8	Counter Shaft	34-28-23-15-14-43, 1.31" Journal	96-On, GM	290-8ER
8	Counter Shaft	46-37-22-14(Long)-52, 1.18" Journal	97-On Dodge	290-8FR
15	Slider	1st-2nd Gear		290-15
15	Slider	3rd-4th Gear		290-15
15	Slider	5th-Rev. Gear		290-15
16	Input Shaft	26T, w/Step, Fits 1st & 2nd Design	88-91, GM	290-16R
16	Input Shaft	26T, w/o Step	91-95, GM	290-16AR
16	Input Shaft	26T	94-On, Dodge	290-16BR
16	Input Shaft	26T, w/o Step, 3 id Rings	96-On, GM	290-16CR
16	Input Shaft	35T	97-On, Dodge	290-16FR
18	5th Gear (Main Shaft)	24T, Fits 1st & 2nd Design	88-91, GM	290-18
23	Shift Fork	1st-2nd Gear	88-92, GM	290-23
23A	Shift Fork	3rd-4th Gear	88-92, GM	290-23A
23B	Shift Fork	5th-Rev. Gear	88-92, GM	290-23B
A	Input Shaft Brg.	3 Piece Brg., 1st & 2nd Design	88-91	ZB1024
A	Input Shaft Brg.	Ball Brg., 3rd Design	91-On	ZB1055
B	Main Shaft Pilot Brg.	Fits 1" Pilot Journal		ZN1036
B	Main Shaft Pilot Brg.	Fits 1.18" Pilot Journal	96-On GM	ZN1037
C	Main Shaft Brg.	3 Piece Brg., 1st Design	88-89	ZB1024
C	Main Shaft Brg.	Ball Brg., 2nd & 3rd Design	90-On	ZB1055
D	Countershaft Front Brg.	1st & 2nd Design, Fits 1" Journal	88-91	ZN1036
D	Countershaft Front Brg.	3rd Design, Fits 1.18" Journal	91-On	ZN1037
D	Countershaft Front Brg.	Fits 1.31" Journal	96-On GM	ZN1114
E	Countershaft Rear Brg.	1st & 2nd Design, Fits 1" Journal	88-91	ZN1036
E	Countershaft Rear Brg.	3rd Design, Fits 1.18" Journal	91-On	ZN1037
E	Countershaft Rear Brg.	Fits 1.31" Journal	96-On GM	ZN1114
F	1st Gear Synchro Ring	1-Piece Ring		ZSY1076
F	1st Gear Synchro Ring	3-Piece Ring		ZSY1173
G	2nd Gear Synchro Ring	1-Piece Ring		ZSY1076
G	2nd Gear Synchro Ring	3-Piece Ring		ZSY1173
H	3rd Gear Synchro Ring			ZSY1076
I	4th Gear Synchro Ring			ZSY1076

Transmission Gearing & Related Parts

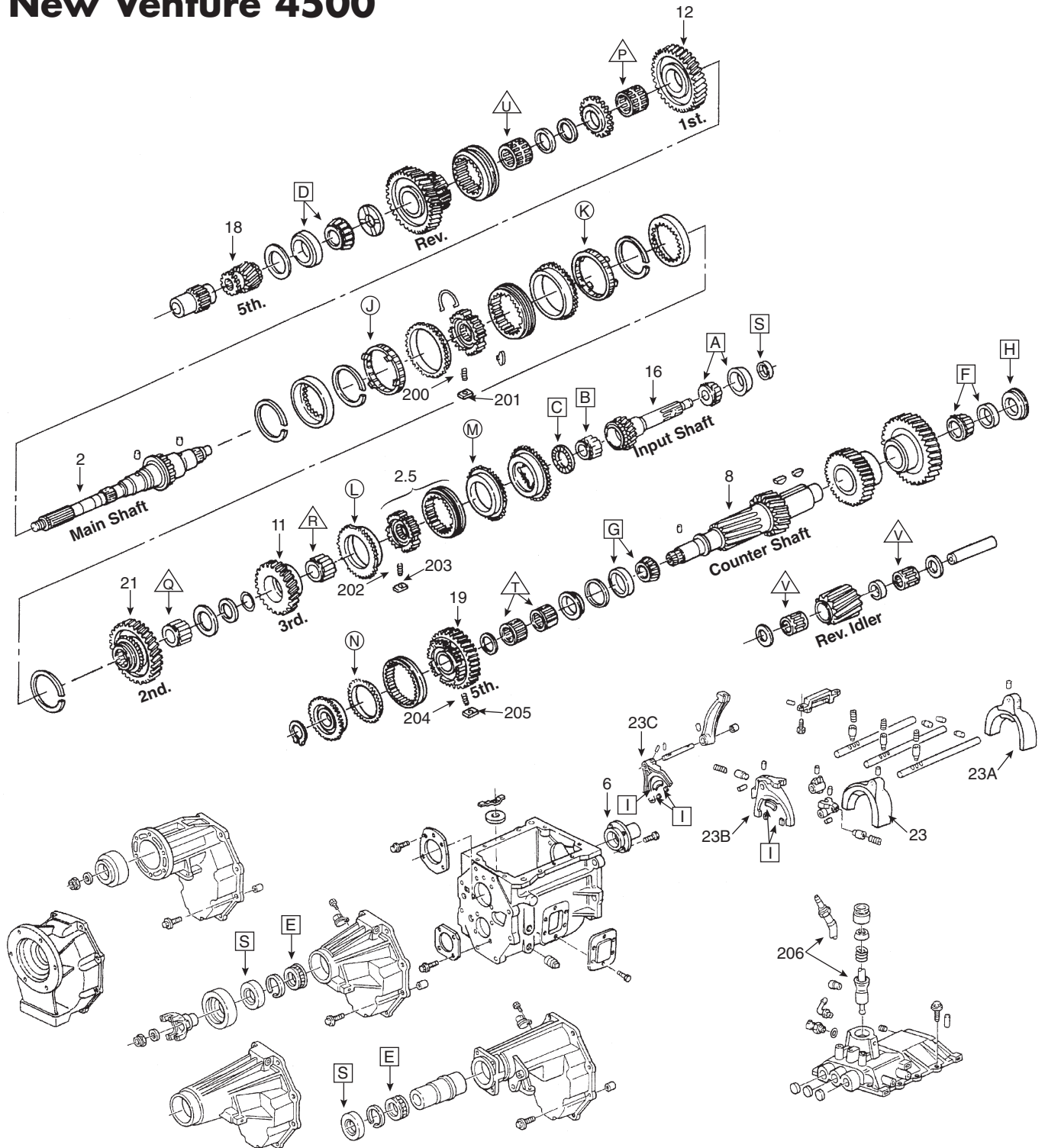
New Venture 3500/GetragHM290/5LM60 continued

Position	Description	Specifications	Applications	Part Number
J	5th Gear Synchro Ring			ZSY1076
	Rev. Gear Synchro Ring			ZSY1210
K	1st Gear Needle Brg.		88-94	ZN1115
K	1st Gear Needle Brg.		95	ZN1117
L	2nd Gear Needle Brg.		88-94	ZN1115
L	2nd Gear Needle Brg.		95	ZN1116
M	3rd Gear Needle Brg.		88-95	ZN1118
N	5th Gear Needle Brg.		88-93	ZN1120
N	5th Gear Needle Brg.		94-95	ZN1119
O	Rev. Gear Needle Brg.		88-95	ZN1115
P	Rev. Idler Needle Brg.		88-89	FW404820
P	Rev. Idler Needle Brg.		89-93	ZN1122
P	Rev. Idler Needle Brg.		94-95	ZN1121
Q	Countershaft Plug			AD2285
S	Input Shaft Seal			4529-N
S	Output Shaft Seal		2WD Full Size GM	4528-N
S	Output Shaft Seal		2WD S-10	4530
S	Output Shaft Seal		4x4 GM	4532-N
S	Output Shaft Seal		2WD Dodge	7300-S
S	Output Shaft Seal		4x4 Dodge	4528-N
	Small Parts Kit			SPK-235

References to original equipment part numbers are for cross reference and identification purpose only.

Transmission Gearing & Related Parts

New Venture 4500



New Venture 4500

- = Contained in all kits.
- = Contained in WS (With Synchros) kits.
- △ = Contained in N (With Needle Brgs.) kits.

Transmission Gearing & Related Parts

New Venture 4500

Position	Description	Specifications	Applications	GMC #	Dodge #	Part Number
2	Main Shaft		GMC 2WD (91-93)	15637463		NV17276
2	Main Shaft	20 ¹ / ₄ " OAL	GMC 2WD (94-00) w/o Parking Brake	12382817		NV25330
2	Main Shaft		GMC 2WD (94-00) w/Parking Brake	12382819		NV25332
2	Main Shaft		GMC 2WD (01-02)	12382892		NV33308
2	Main Shaft		GMC 4x4 (91-00)	12382861		NV27170
2	Main Shaft		GMC 4x4 (01-02)	12382891		NV33290
2	Main Shaft		Dodge 2WD (92-93)		4637711	NV17281
2	Main Shaft		Dodge 4x4 (92-93)		4637714	NV17280
2	Main Shaft		Dodge 2WD (94-99) 5.9L Gas		5003037AA	NV27174
2	Main Shaft		Dodge 2WD (94-99) 5.9L Diesel, 8.0L		5003038AA	NV27175
2	Main Shaft		Dodge 4x4 (94-99) 5.9L Gas		5003215AA	NV27171
2	Main Shaft		Dodge 4x4 (94-99) 5.9L Diesel, 8.0L		5003218AA	NV27173
2	Main Shaft		Dodge 2WD (00-02) 5.9L Gas		5016383AA	NV33293
2	Main Shaft		Dodge 2WD (00-02) 5.9L Diesel, 8.0L		5016384AA	NV33294
2	Main Shaft		Dodge 4x4 (00-02) 5.9L Gas		5016385AA	NV33291
2	Main Shaft		Dodge 4x4 (00-02) 5.9L Diesel, 8.0L		5016386AA	NV33292
2	Main Shaft		Dodge 2WD Diesel			NV27176
2	Main Shaft		Dodge 4x4 Gas			NV27171
2	Main Shaft		Dodge 4x4 Diesel			NV27173
2.5	Synchro Assy. (3rd-4th)		GMC (91-93)	15637287		NV17301
2.5	Synchro Assy. (3rd-4th)		GMC (94-03)	12542865		NV18412
2.5	Synchro Assy. (3rd-4th)		Dodge (94-03)		4740824	NV18412
6	Front Bearing Retainer		GMC (91-96)	15665238		NV17507
6	Front Bearing Retainer		GMC (97-02)	12549369		NV22414
6	Front Bearing Retainer		Dodge (92-93)		4713787	NV17508
6	Front Bearing Retainer		Dodge (94-02) 5.2L, 5.9L Gas		4741542	NV18347
6	Front Bearing Retainer		Dodge (94-02) 5.9L Diesel, 8.0L		4741543	NV18161
8	Counter Shaft		Dodge (92-11/95)		4637700	NV14015
8	Counter Shaft		Dodge (11/95-96)		4856072	NV22415
8	Counter Shaft		Dodge (97-02)		4882367	NV22657
8	Counter Shaft		GMC (91-95)	12542557		NV18317
8	Counter Shaft		GMC (96-03)	12382834		NV22657
11	3rd Gear		Dodge (92-93)		4637735	NV17296
11	3rd Gear		Dodge (94-96)		4773011	NV18918
11	3rd Gear		Dodge (97-02)		4874369	NV23712
11	3rd Gear		GMC (91-94)	12547205		NV18922
11	3rd Gear		GMC (95-03)	12382792		NV23712
12	1st Gear		Dodge (92-02)	15637279	4637728	NV17290
12	1st Gear		GMC (91-03)	15637279		NV17290
16	Input Shaft		Dodge (92-93)	4637756	4637772	NV17303
16	Input Shaft		Dodge (94-96) 5.2L, 5.9L Gas		4741540	NV18358
16	Input Shaft		Dodge (94-96) 5.9L Diesel, 8.0L		4741541	NV25354
16	Input Shaft		Dodge (97-02) 5.9L Gas		4882357	NV25354
16	Input Shaft		Dodge (97-02) 5.9L Diesel, 8.0L		4882358	NV25356

References to original equipment part numbers are for cross reference and identification purpose only.

Transmission Gearing & Related Parts

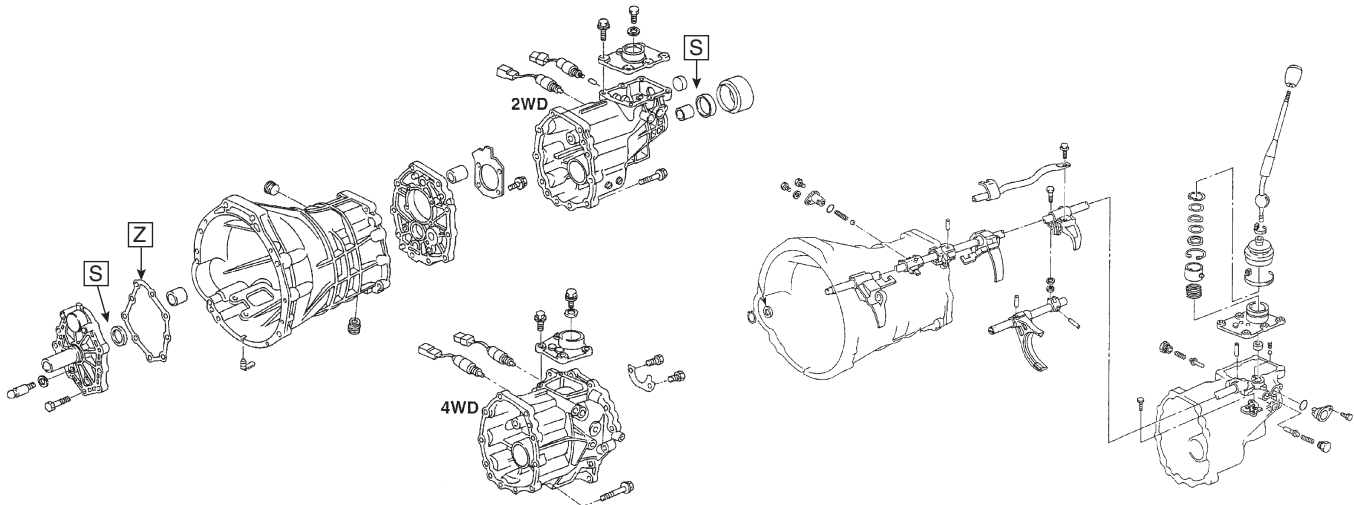
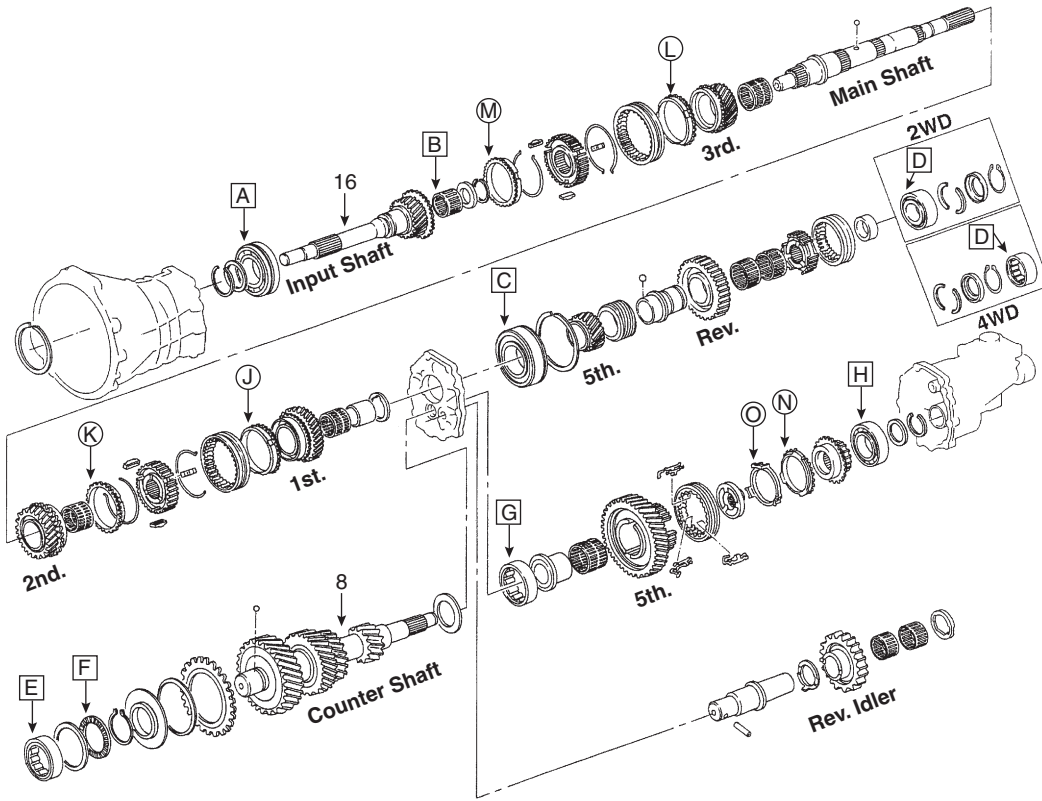
New Venture 4500 Continued

Position	Description	Specifications	Applications	GMC #	Dodge #	Part Number
16	Input Shaft		GMC (91-94)	15637293		NV17310
16	Input Shaft	20T	GMC (95)	15637293		NV17310
16	Input Shaft	22T	GMC (95)	12382877		12382877
16	Input Shaft		GMC (96-03)	12382877		12382877
18	5th Gear (Main Shaft)		Dodge (92-93)		4637798	4637798
18	5th Gear (Main Shaft)		Dodge (94-00) 5.2L, 5.9L Gas		4637798	4637798
18	5th Gear (Main Shaft)		Dodge (01-02) 5.9L Gas		4741551	NV18164
18	5th Gear (Main Shaft)		Dodge (94-02) 5.9L Diesel, 8.0L		4741551	NV18164
18	5th Gear (Main Shaft)		GMC (91-93)	15635278		15635278
18	5th Gear (Main Shaft)		GMC (94-03)	12548339		NV16999
19	5th Gear (Counter Shaft)		Dodge (92-02)		4637786	NV17318
19	5th Gear (Counter Shaft)		GMC (91-94)	15637296		NV17317
19	5th Gear (Counter Shaft)		GMC (95)	12548338		NV17318
19	5th Gear (Counter Shaft)		GMC (96-03)	12548337		NV17582
21	2nd Gear		Dodge (92-02)		4637730	NV17293
21	2nd Gear		GMC (91-03)	15637281		NV17293
A	Input Shaft Brg.		Dodge (92-02)			ZT1010-ZT1009
A	Input Shaft Brg.		GMC (91-95)			ZT1010-ZT1009
A	Input Shaft Brg.		GMC (96-03)			ZT1010-NP728109
B	Main Shaft Pilot Brg.					ZN1003
C	Main Shaft Thrust Brg.					ZN1013
D	Main Shaft Brg.					ZT1084-ZT1083
E	Extension Housing Brg.					ZN1030
F	Countershaft Front Brg.					ZT1006-ZT1005
G	Countershaft Rear Brg.					ZT1008-ZT1007
H	Countershaft Plug					ZM1005
I	Fork Pads		Center			ZM1007
I	Fork Pads		Tip			ZM1006
J	1st Gear Synchro Ring					ZSY1115
K	2nd Gear Synchro Ring					ZSY1115
L	3rd Gear Synchro Ring					ZSY1116
M	4th Gear Synchro Ring					ZSY1116
N	5th Gear Synchro Ring					ZSY1114
O	Rev. Gear Synchro Ring		Req'd for Dodge Only			ZSY1114
P	1st Gear Needle Brg.					ZN1005
Q	2nd Gear Needle Brg.					ZN1005
R	3rd Gear Needle Brg.					ZN1006
S	Input Shaft Seal		Dodge (92-02)			714655
S	Input Shaft Seal		GMC (91-95)			714655
S	Input Shaft Seal		GMC (96-02)			21901
S	Output Shaft Seal		Dodge (2WD)			7300-S
S	Output Shaft Seal		Dodge (2WD-V10)			4741
S	Output Shaft Seal		Dodge (4x4)			710058
S	Output Shaft Seal		GMC (With Parking Brake)			4670-N
S	Output Shaft Seal		GMC (Without Parking Brake)			410085-N
S	Output Shaft Seal		GMC (P Series With Parking Brake)			1943
S	Output Shaft Seal		GMC (P Series Without Parking Brake)			224850
T	5th Gear Needle Brg.					ZN1010
U	Rev. Gear Needle Brg.					ZN1004
V	Rev. Idler Needle Brg.		(91-96)			ZN1007
V	Rev. Idler Needle Brg.		(97-0n)			ZN1109

New Venture 4500

Transmission Gearing & Related Parts

Nissan FS5R30A



□ = Contained in all kits.

○ = Contained in WS (With Synchros) kits.

△ = Contained in N (With Needle Brgs.) kits.

References to original equipment part numbers are for cross reference and identification purpose only.

Nissan FS5R30A

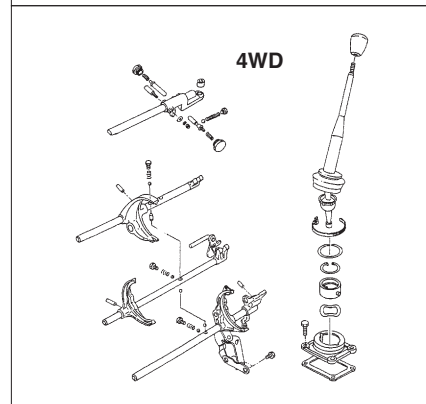
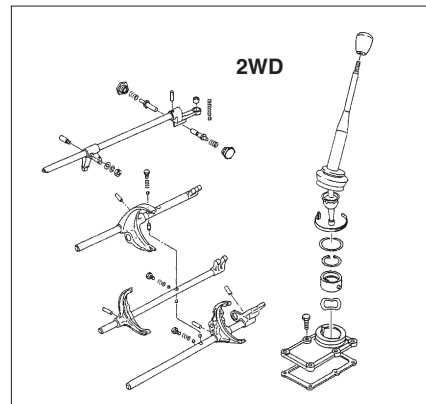
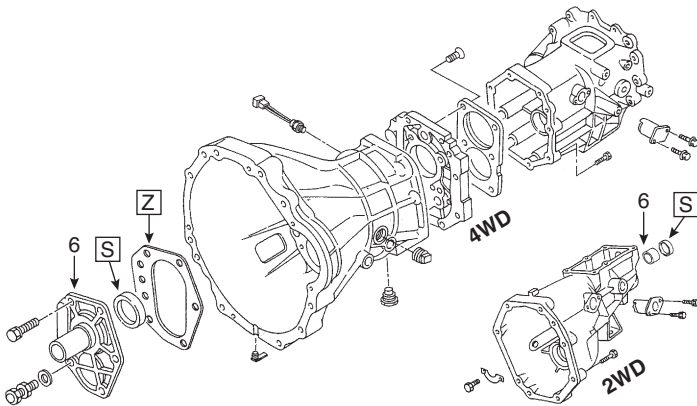
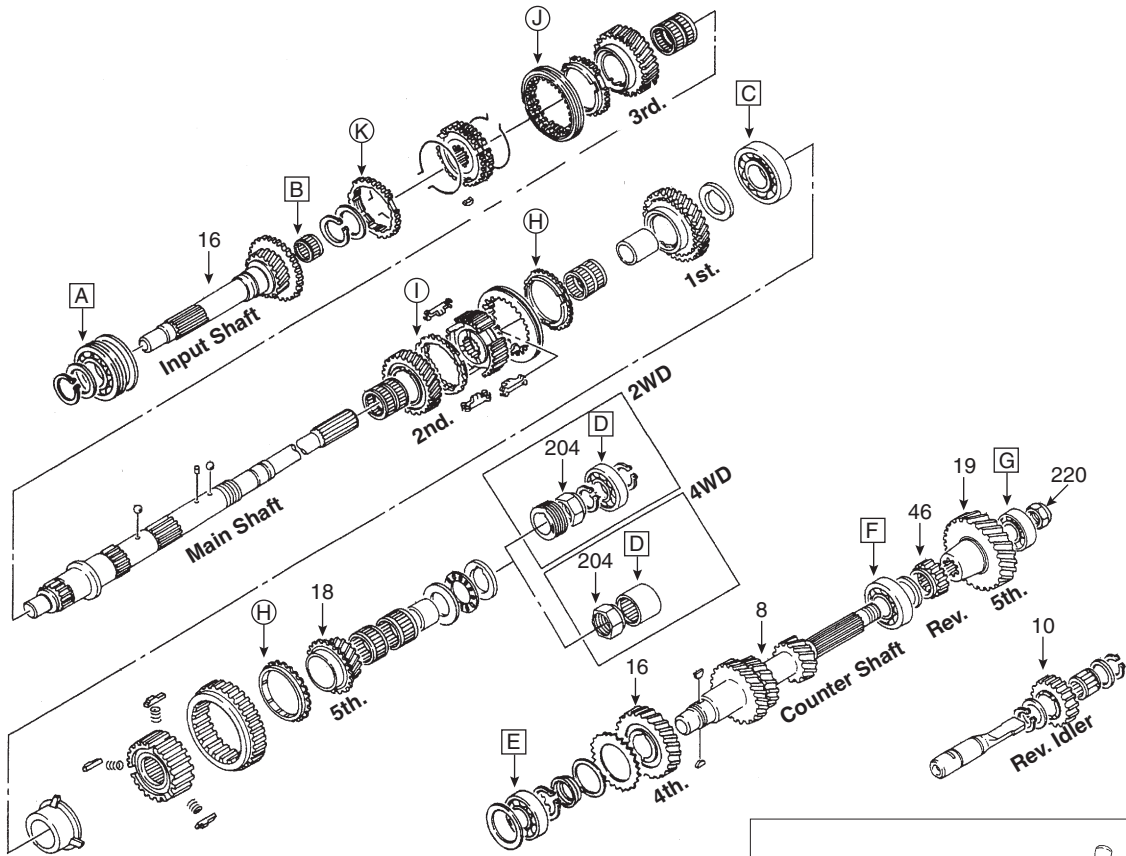
Transmission Gearing & Related Parts

Nissan FS5R30A

Position	Description	Specifications	Applications	Part Number
8	Counter Shaft	33-31-21-13	4x4, 3/87-95	NISV6-8
16	Input Shaft	20T	4x4, 3/87-95	NISV6-16
S	Input Shaft Seal			1981
S	Output Shaft Seal			710140
Z	Gasket Set			Part of GT-FN150

Transmission Gearing & Related Parts

Nissan FS5W71



□ = Contained in all kits.

○ = Contained in WS (With Synchros) kits.

△ = Contained in N (With Needle Brgs.) kits.

References to original equipment part numbers are for cross reference and identification purpose only.

Transmission Gearing & Related Parts

Nissan FS5W71

Position	Description	Specifications	Applications	Part Number
6	Front Bearing Retainer		74-83	NIS-6
6	Front Bearing Retainer		84-On	NIS-6A
8	Counter Shaft		4x4, 86-On	NIS-8
10	Rev. Idler Gear	21T		NIS-10A
10	Rev. Idler Gear	22T		NIS-10B
16	Input Shaft Set	I/S (21T) & C/S 4th gear (32T)	4x4, 86-On	NIS-16
16	Input Shaft Set	I/S (22T) & C/S 4th gear (31T)	2WD, 86-93	NIS-16A
16	Input Shaft Set	I/S (22T) & C/S 4th gear (31T)	2WD, 93-On	NIS-16B
18 & 19	5th Gear Kit	Includes M/S (21T) & C/S (39T)	4x4, 86-93	NIS-5
18 & 19	5th Gear Kit	Includes M/S (24T) & C/S (45T)	4x4, 79-85	NIS-5A
18 & 19	5th Gear Kit	Includes M/S (22T) & C/S (37T)	2WD, 86-On	NIS-5B
18 & 19	5th Gear Kit	Includes M/S (21T) & C/S (39T)	4x4, 93-On	NIS-5C
36	Rev. Gear/5th Slider	36T	81-92	NIS-36
46	Rev. Gear (Countershaft)	15T		NIS-46
220	Nut (Countershaft)			NIS-220
	Reverse Kit, Early	Kit, Includes 10, 36 & 46	81-92	NIS-REV KIT
	Reverse Gear		93-On	NIS-37*
	Reverse Slider		93-On	NIS-40

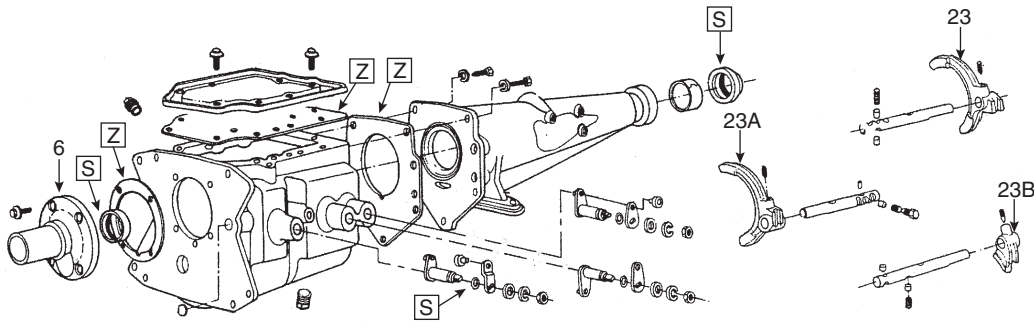
* When updating 93-1/96 vehicles using NIS-37, retainer and striking rod must also be updated.

Transmission Gearing & Related Parts

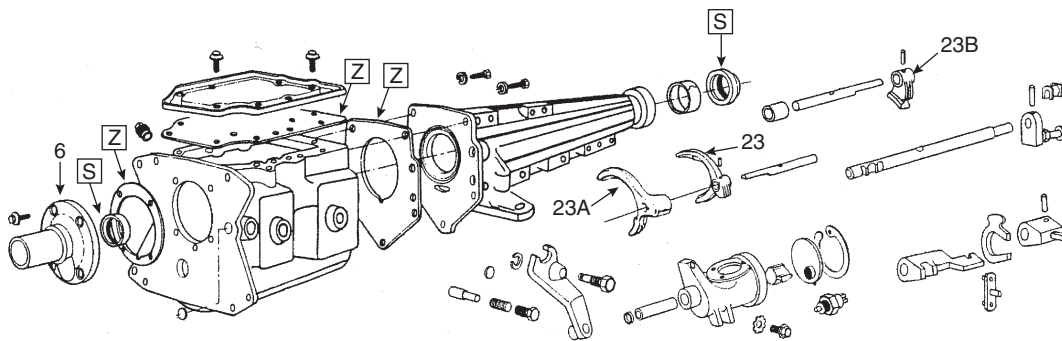
RUG/SROD/RTS/T176

(Call for parts listings)

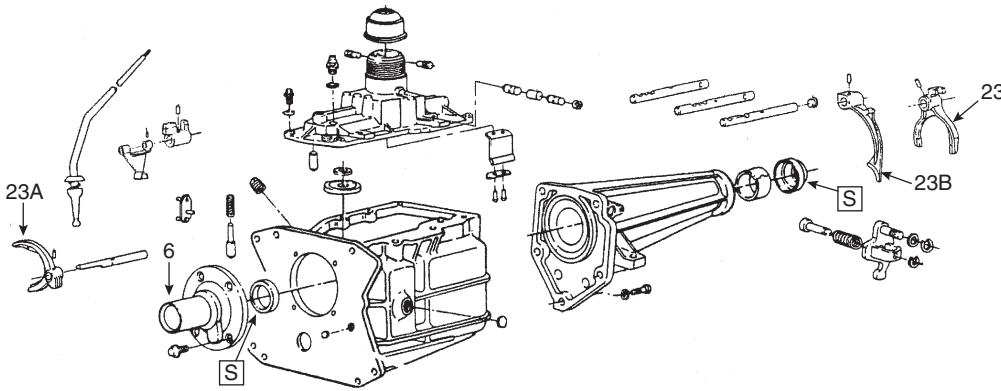
RUG/HEH



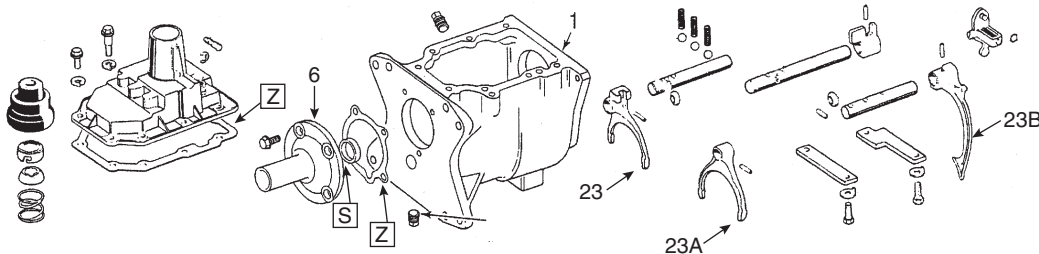
SROD



RTS



T176



□ = Contained in all kits.

○ = Contained in WS (With Synchros) kits.

△ = Contained in N (With Needle Brgs.) kits.

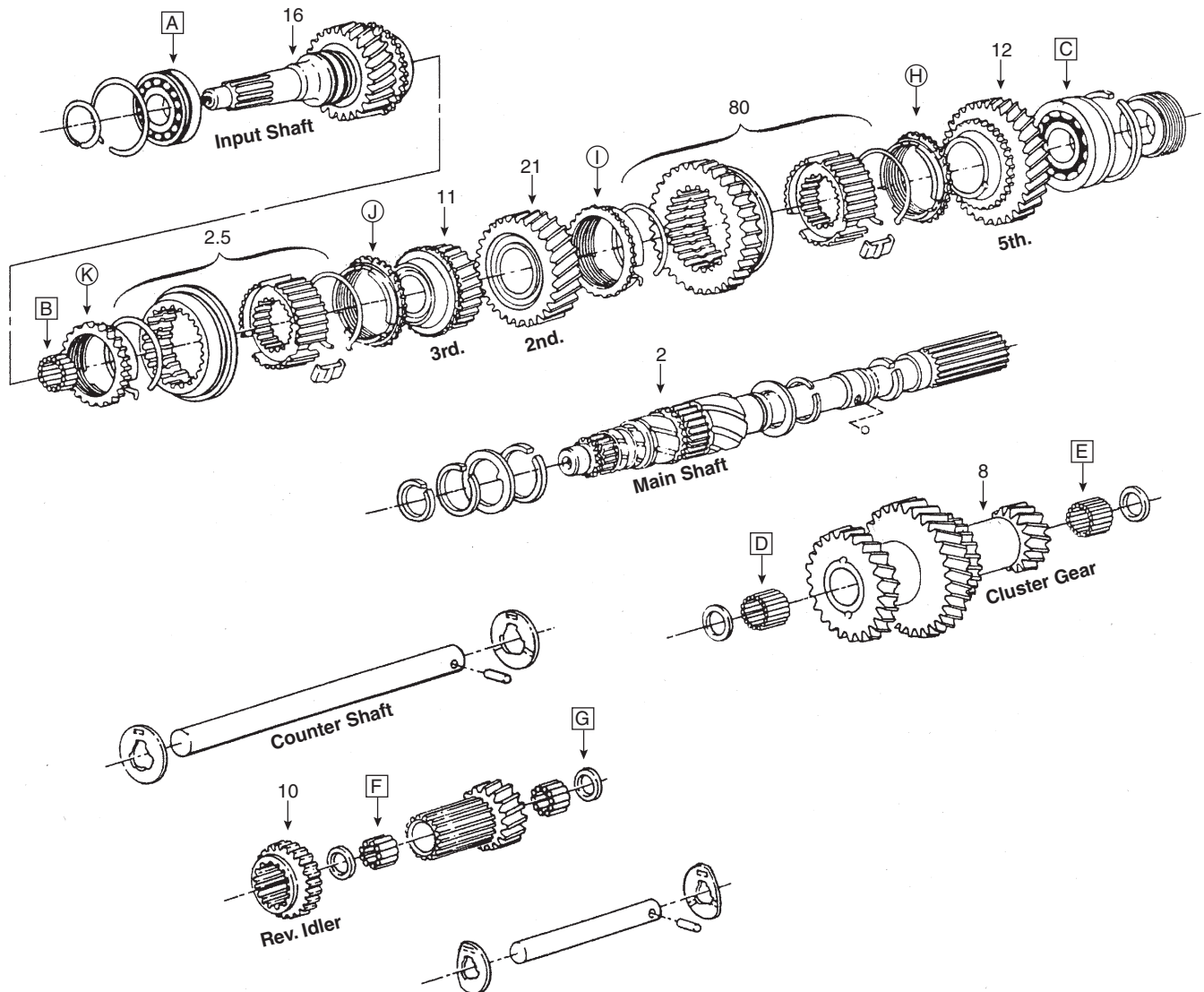
References to original equipment part numbers are for cross reference and identification purpose only.

Transmission Gearing & Related Parts

RUG/SROD/RTS/T176

(Call for parts listings)

RUG/SROD/RTS/T176



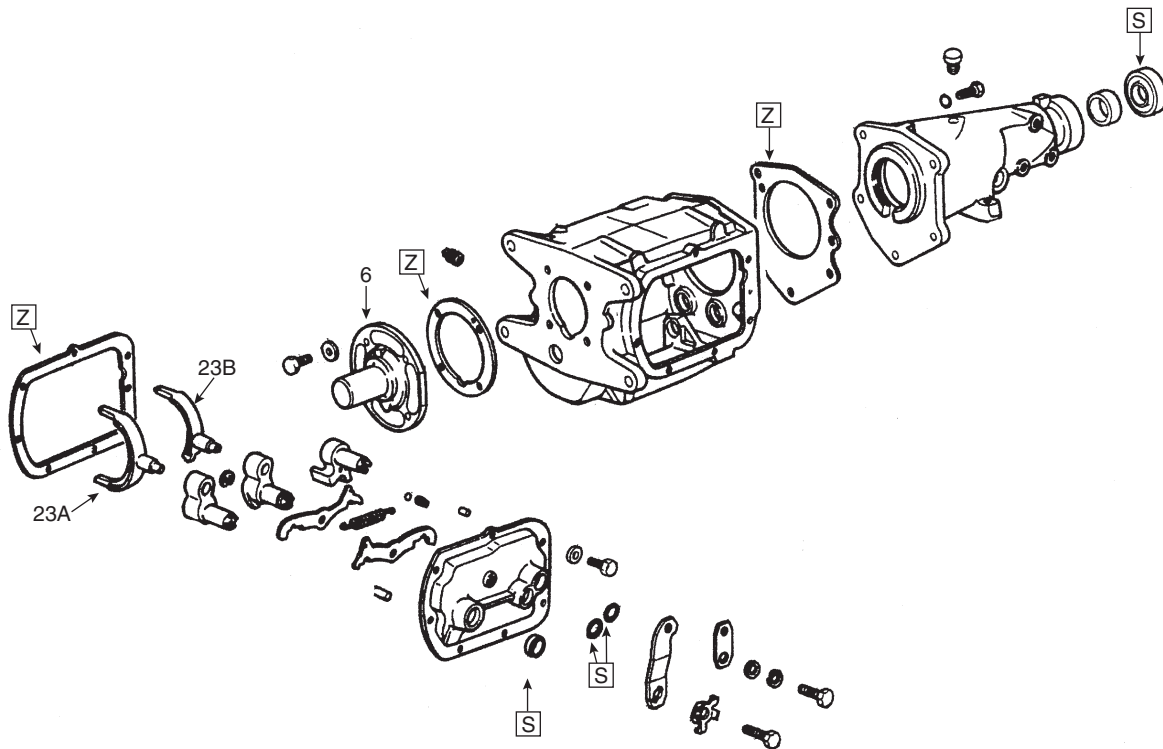
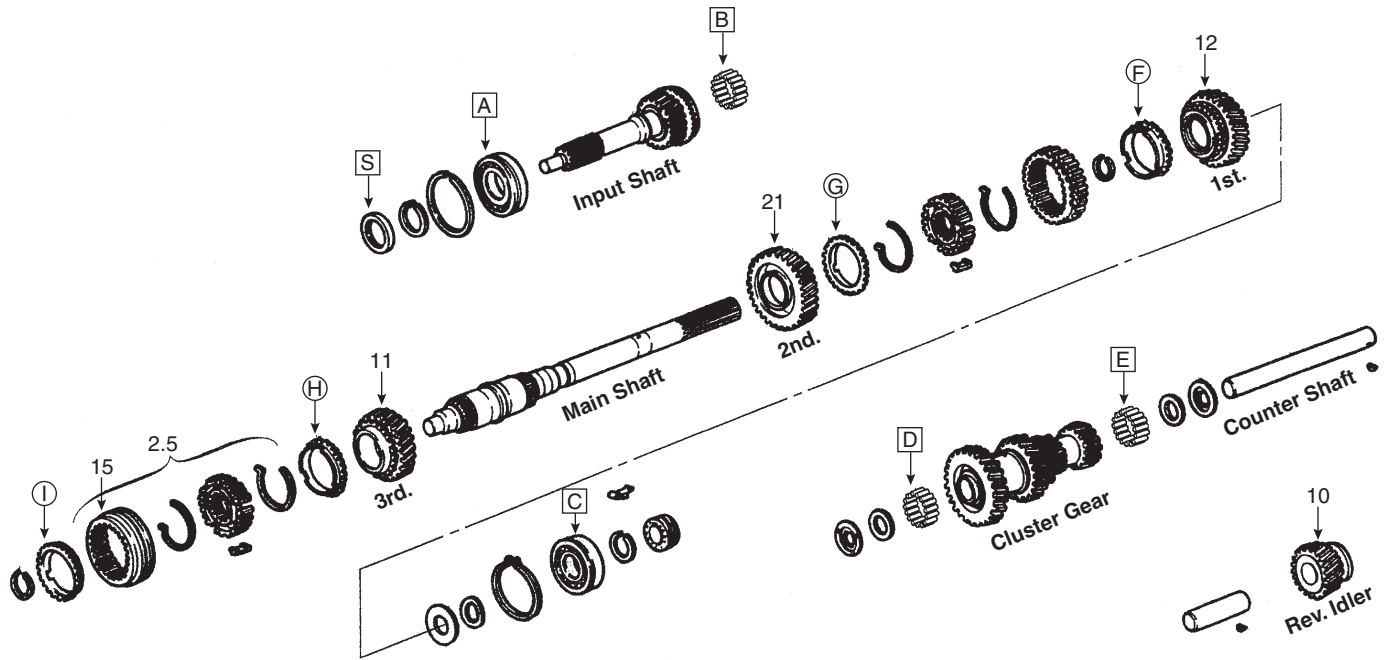
□ = Contained in all kits.

○ = Contained in WS (With Synchros) kits.

△ = Contained in N (With Needle Brgs.) kits.

Transmission Gearing & Related Parts

Saginaw



□ = Contained in all kits.

○ = Contained in WS (With Synchros) kits.

△ = Contained in N (With Needle Brgs.) kits.

References to original equipment part numbers are for cross reference and identification purpose only.

Saginaw

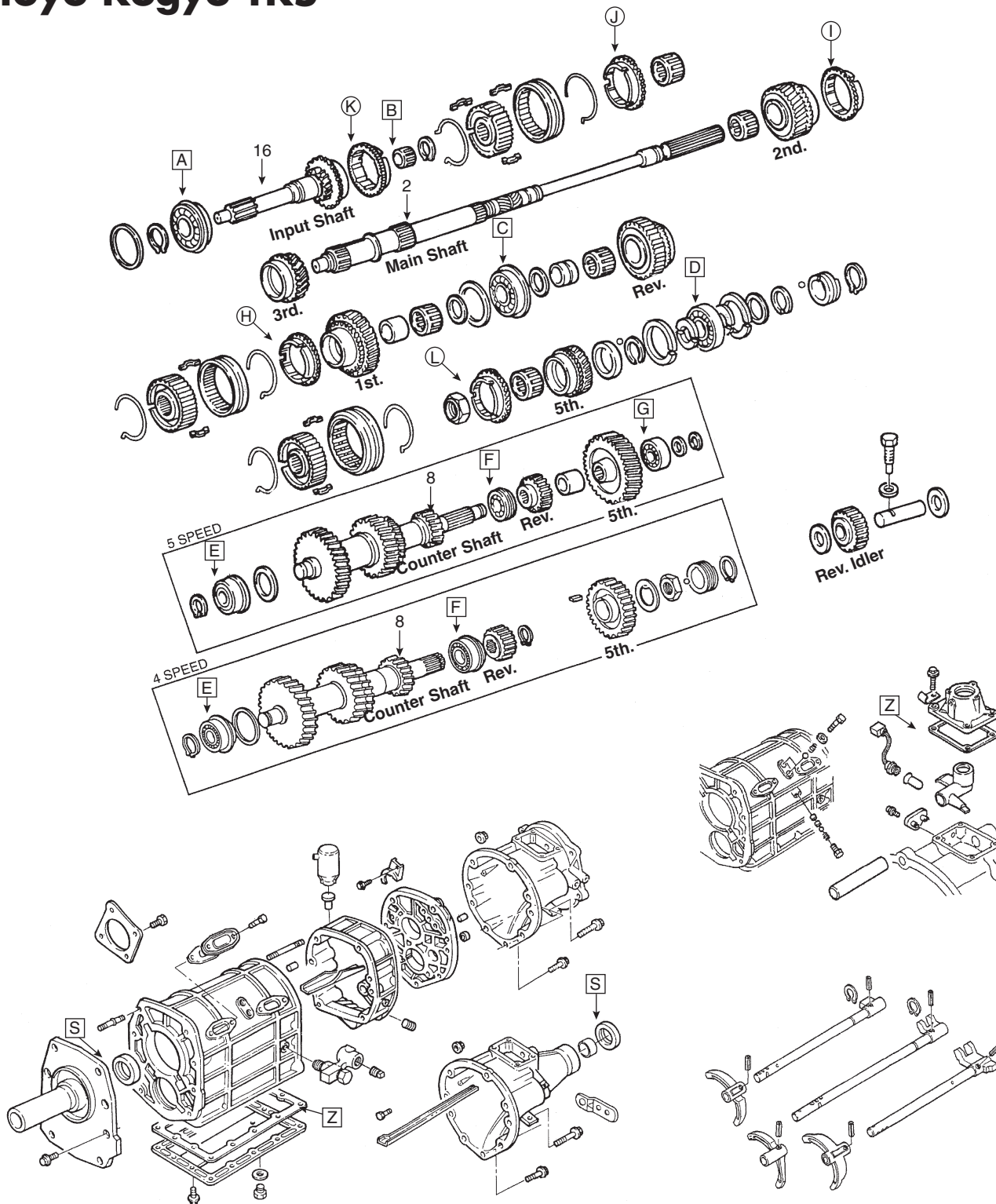
Transmission Gearing & Related Parts

Saginaw

Position	Description	Specifications	Applications	Part Number
2.5	Synchro Assy. (3rd-4th)			AWT301-2.5
6	Front Bearing Retainer	4 ⁵ / ₈ " Diameter	Car	AWT301-6
6	Front Bearing Retainer	5 ¹ / ₈ " Diameter	Truck	AWT301-6A
10	Rev. Idler Gear			AWT302-10A
11	3rd Gear			WT301-12
12	1st Gear	29T		WT302-12
15	Slider	2nd-3rd, 3rd-4th		WT301-15
21	2nd Gear	26T		WT302-21
23A	Shift Fork	2nd-3rd, 3rd-4th		WT301-23
23B	Shift Fork	Rev-1st		WT301-23
23B	Shift Fork	1st-2nd		WT302-23
A	Input Shaft Brg.			ZB1021
B	Main Shaft Pilot Brg.			* QA19792
C	Main Shaft Rear Brg.			ZB1038
D	Countershaft Front Brg.			C407-Q
E	Countershaft Center Brg.			C407-Q
F	1st Gear Synchro Ring			ZSY1172
G	2nd Gear Synchro Ring			ZSY1172
H	3rd Gear Synchro Ring			ZSY1172
I	4th Gear Synchro Ring			ZSY1172
S	Input Shaft Seal			7412-S
S	Output Shaft Seal			9613-S
S	Shift Shaft Seal			727410
S	Shift Shaft O-Ring			OR-018
Z	Gasket Set			Part of GS301-55
	Small Parts Kit			SPK-301

Transmission Gearing & Related Parts

Toyo Kogyo TK5



□ = Contained in all kits.

○ = Contained in WS (With Synchros) kits.

△ = Contained in N (With Needle Brgs.) kits.

References to original equipment part numbers are for cross reference and identification purpose only.

Toyo Kogyo TK5

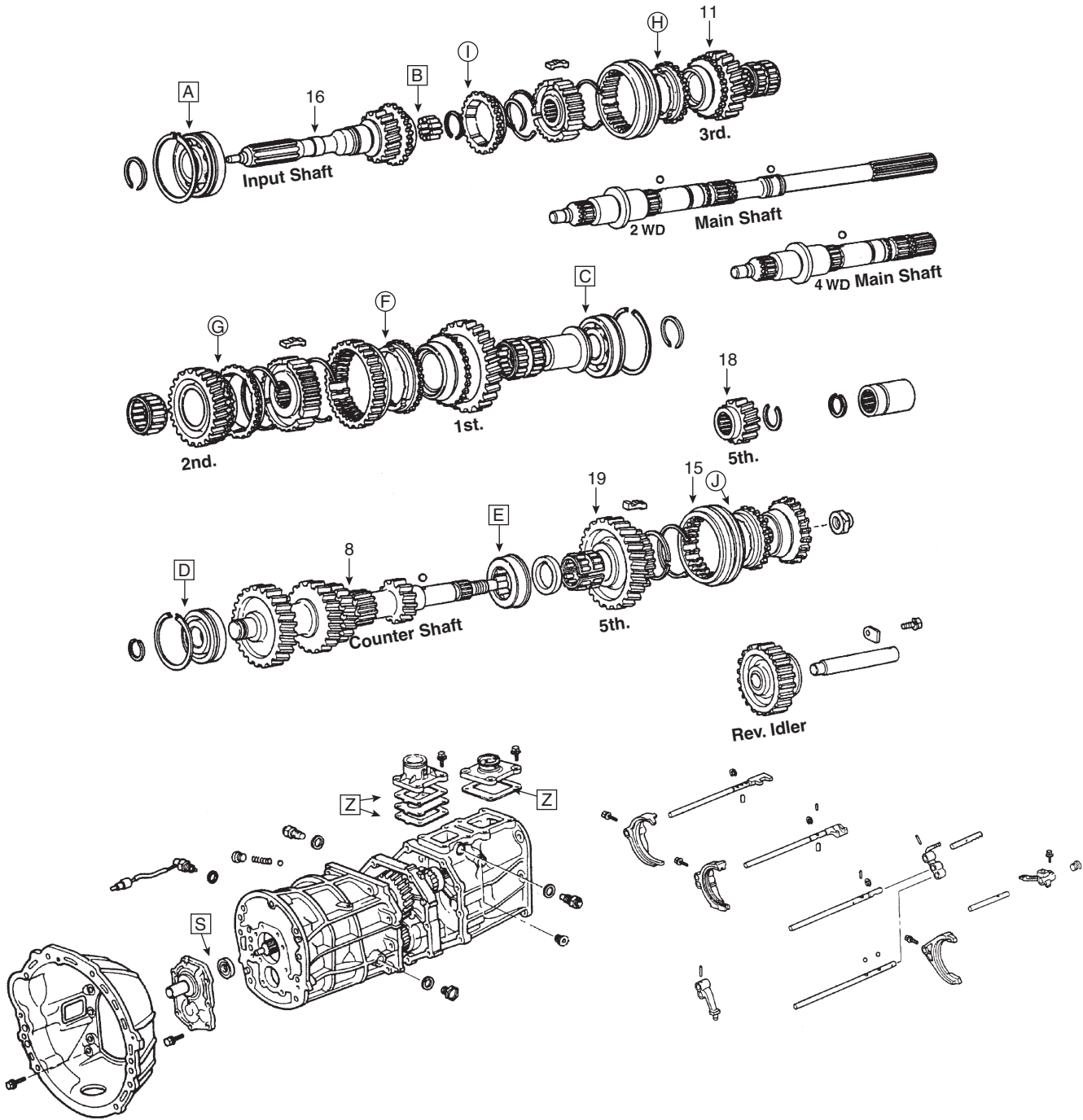
Transmission Gearing & Related Parts

Toyo Kogyo TK5

Position	Description	Specifications	Applications	Part Number
2	Main Shaft		4x4	TK5-2
8	Counter Shaft			TK5-8
16	Input Shaft	19T, 11 ¹ / ₂ " OAL		TK5-16
16	Input Shaft	19T, 10 ¹ / ₄ " OAL w/o Synchro Stops		TK5-16A
16	Input Shaft	19T, 10 ¹ / ₄ " OAL w/ Synchro Stops		TK5-16B
A	Input Shaft Brg.			ZB1039
B	Main Shaft Pilot Brg.			ZN1043
C	Main Shaft Front Brg.			ZB1067
D	Main Shaft Rear Brg.			ZB1065
E	Countershaft Front Brg.			ZB1026
F	Countershaft Center Brg.			ZN1054
G	Countershaft Rear Brg.			ZB1062
H	1st Gear Synchro Ring		83-85	ZSY1062
H	1st Gear Synchro Ring		86-87	ZSY1054
I	2nd Gear Synchro Ring		83-85	ZSY1062
I	2nd Gear Synchro Ring		86-87	ZSY1054
J	3rd Gear Synchro Ring		83-85	ZSY1062
J	3rd Gear Synchro Ring		86-87	ZSY1054
K	4th Gear Synchro Ring		83-85	ZSY1062
K	4th Gear Synchro Ring		86-87	ZSY1054
L	5th Gear Synchro Ring			ZSY1063
S	Input Shaft Seal			1990
S	Output Shaft Seal			2443
Z	Gasket Set			Part of GT-12

Transmission Gearing & Related Parts

Toyota G52



Toyota G52

□ = Contained in all kits.

○ = Contained in WS (With Synchros) kits.

△ = Contained in N (With Needle Brgs.) kits.

References to original equipment part numbers are for cross reference and identification purpose only.

Transmission Gearing & Related Parts

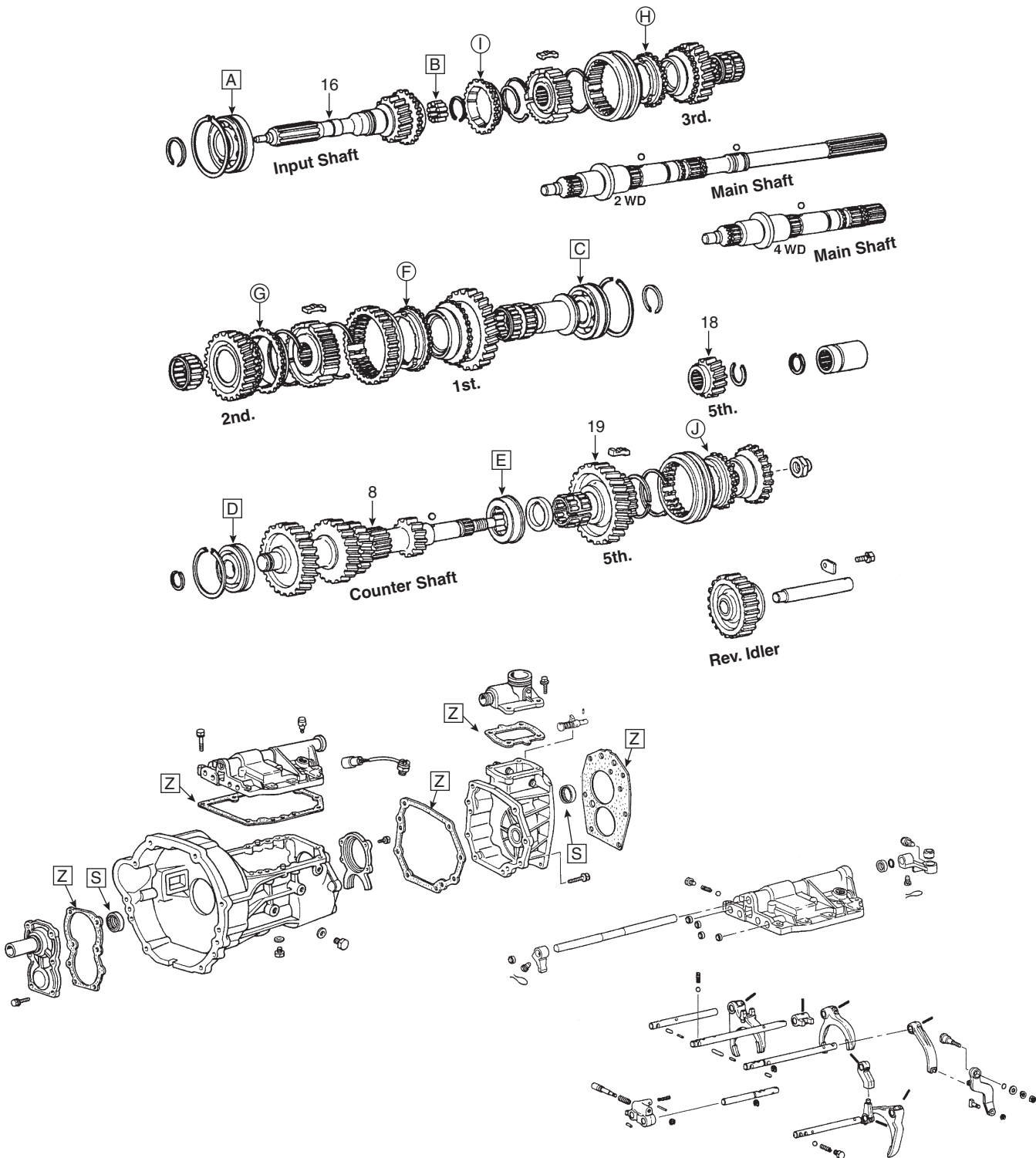
Toyota G52

Position	Description	Specifications	Applications	Part Number
8	Counter Shaft	45-31-20-13-14	81-83	AX5-8
8	Counter Shaft	45-31-20-13-14	84-88	G52-8
11	3rd Gear	27T		G52-11
15	Slider, 5th/Reverse Gear	For Aluminum Fork Only		G52-15
16	Input Shaft	Uses 23mm Wide I/S Brg.	84-88	G52-16
18 & 19	5th Gear Kit	Includes M/S (24T) & C/S (45T)		G52-5
A	Input Shaft Brg.	20mm Wide I/S Brg.	81-83	ZB1043
A	Input Shaft Brg.	23mm Wide I/S Brg.	84-0n	ZB1049
B	Main Shaft Pilot Brg.		81-83	N5517-14
B	Main Shaft Pilot Brg.		84-0n	N6X17-13
C	Main Shaft Rear Brg.			ZB1044
D	Countershaft Front Brg.			ZC1027
E	Countershaft Rear Brg.			ZC1015
F	1st Gear Synchro Ring			ZSY1052
G	2nd Gear Synchro Ring			ZSY1052
H	3rd Gear Synchro Ring			ZSY1053
I	4th Gear Synchro Ring			ZSY1053
J	5th Gear Synchro Ring			ZSY1053
S	Input Shaft Seal			1981
S	Output Shaft Seal		2WD	223840
S	Output Shaft Seal		4x4	223255
Z	Gasket			Part of GT-FT130

Transmission Gearing & Related Parts

Toyota L52

Toyota L52



□ = Contained in all kits.

○ = Contained in WS (With Synchros) kits.

△ = Contained in N (With Needle Brgs.) kits.

References to original equipment part numbers are for cross reference and identification purpose only.

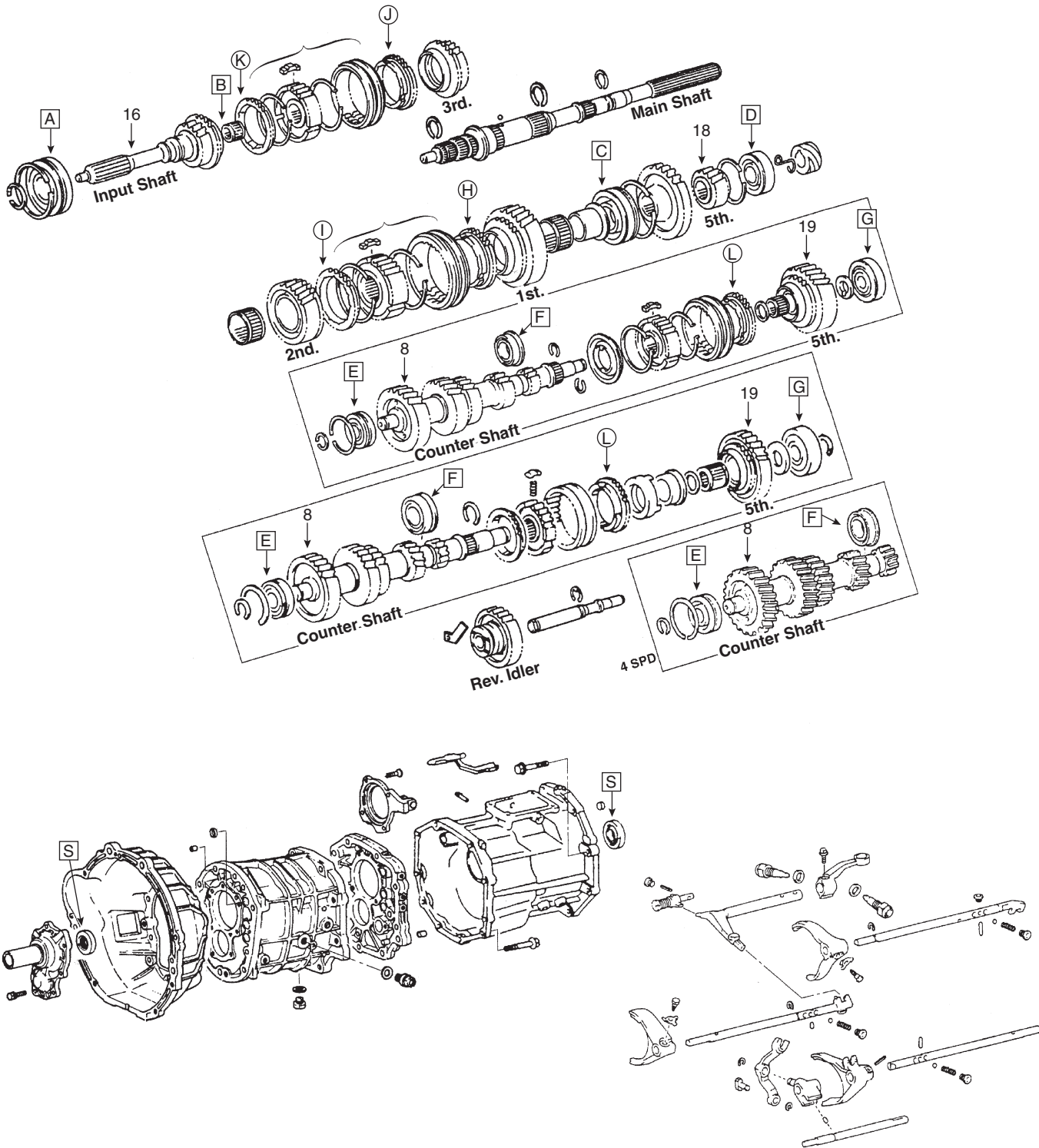
Transmission Gearing & Related Parts

Toyota L52

Position	Description	Specifications	Applications	Part Number
8	Counter Shaft			L52-8
16	Input Shaft			L52-16
18 & 19	5th Gear Kit	Includes M/S (24T) & C/S (45T)		G52-5
A	Input Shaft Brg.	63/32		ZB1067
A	Input Shaft Brg.	B32-14		ZB1043
A	Input Shaft Brg.	032-2		ZB1011
B	Main Shaft Pilot Brg.			N5517-14
C	Main Shaft Rear Brg.			ZB1044
D	Countershaft Front Brg.			ZC1027
E	Countershaft Rear Brg.			ZC1015
F	1st Gear Synchro Ring			ZSY1052
G	2nd Gear Synchro Ring			ZSY1052
H	3rd Gear Synchro Ring			ZSY1053
I	4th Gear Synchro Ring			ZSY1053
J	5th Gear Synchro Ring			ZSY1053
S	Input Shaft Seal			1981
S	Output Shaft Seal		2WD	223840
S	Output Shaft Seal		4x4	223255
Z	Gasket Set			GT-FT110

Transmission Gearing & Related Parts

Toyota W56



□ = Contained in all kits.

○ = Contained in WS (With Synchros) kits.

△ = Contained in N (With Needle Brgs.) kits.

References to original equipment part numbers are for cross reference and identification purpose only.

Toyota W56

Transmission Gearing & Related Parts

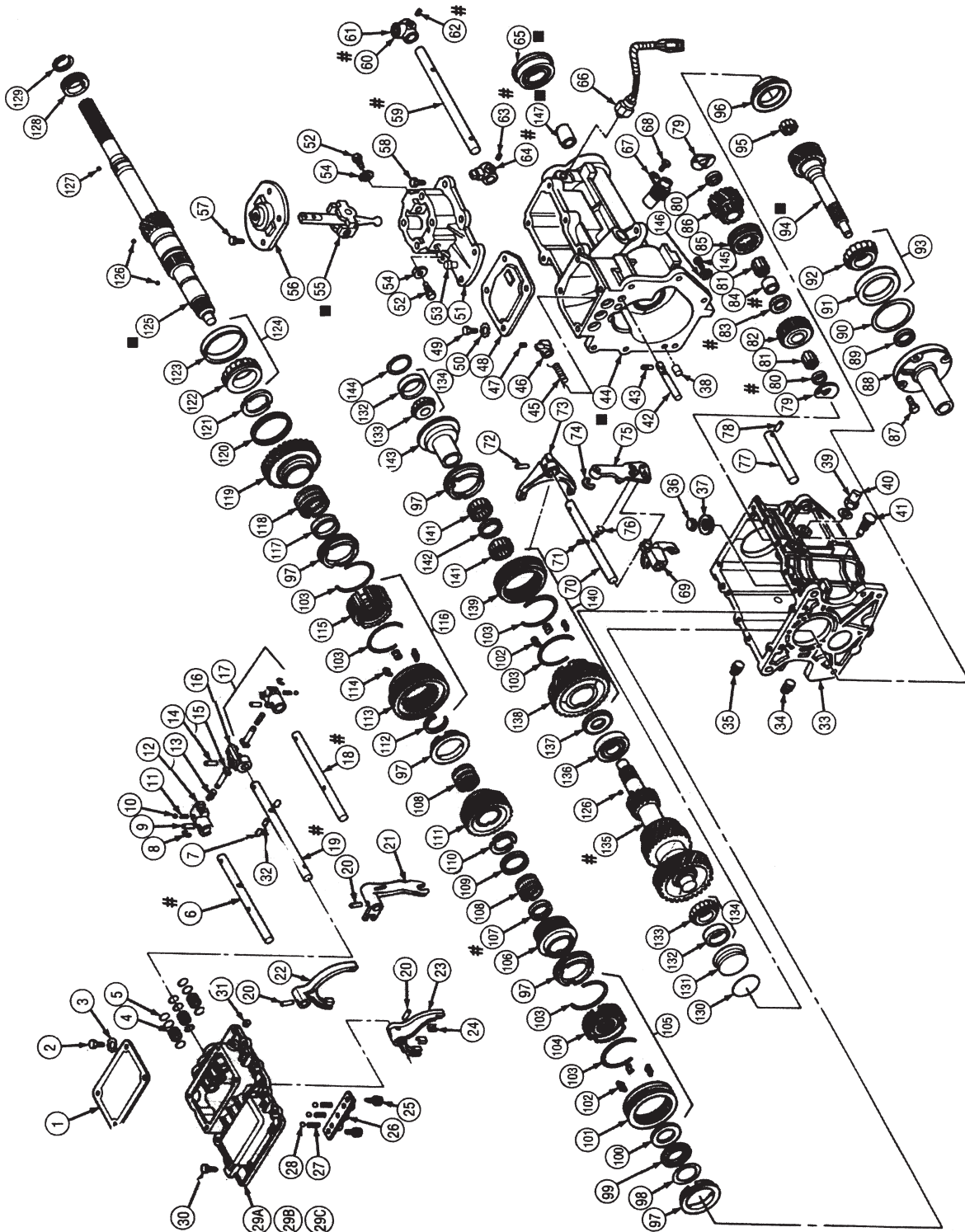
Toyota W56

Position	Description	Specifications	Applications	Part Number
8	Counter Shaft	47-35-24-13-14, w/3 id	84-10/91	W56-8
8	Counter Shaft	w/3 id on Reverse	10/91-0n	W59-8
16	Input Shaft	32T, 1 id	84-10/91	W56-16
16	Input Shaft	32T, 1 id	10/91-0n	W59-16
18 & 19	5th Gear Kit	Includes M/S & C/S Gears		W56-5
A	Input Shaft Brg.		84-10/91	ZB1039
A	Input Shaft Brg.		10/91-12/94	ZB1012
B	Main Shaft Pilot Brg.			ZN1017
C	Main Shaft Front Brg.		84-10/91	ZB1039
C	Main Shaft Front Brg.		10/91-12/94	ZB1045
D	Main Shaft Rear Brg.			ZB1078
E	Countershaft Front Brg.			ZC1026
F	Countershaft Center Brg.			ZC1012
G	Countershaft Rear Brg.			ZB1074
H	1st Gear Synchro Ring		84-10/91	ZSY1051
H	1st Gear Synchro Ring		10/91-12/94	ZSY1275
I	2nd Gear Synchro Ring		84-10/91	ZSY1051
I	2nd Gear Synchro Ring		10/91-12/94	ZSY1276
J	3rd Gear Synchro Ring		84-10/91	ZSY1052
J	3rd Gear Synchro Ring		10/91-12/94	ZSY1277
K	4th Gear Synchro Ring		84-10/91	ZSY1052
K	4th Gear Synchro Ring		10/91-12/94	ZSY1277
L	5th Gear Synchro Ring		84-7/92	ZSY1053
L	5th Gear Synchro Ring		8/92-12/94	ZSY1278
S	Input Shaft Seal			1981
S	Output Shaft Seal			223840
S	Output Shaft Seal			223255
Z	Gasket Set		84-10/91	GT-FT150
Z	Gasket Set		10/91-12/94	GT-FT140

Toyota W56

Transmission Gearing & Related Parts

Tremec TR3550 and TKO



References to original equipment part numbers are for cross reference and identification purpose only.

Transmission Gearing & Related Parts

Tremec TR3550 and TKO

NO.	PART NO.	DESCRIPTION	NO.	PART NO.	DESCRIPTION
1	2605866	Shift Fork Inspection Cover	44A	2606415	TKO model—Extension Housing Assy (Without bushing)
2	2604902	Bolts (4 Req'd)	45	2605832	Reverse Inhibitor Spring
3	2604899	Star Washer (4 Req'd)	46	2606259	Reverse Inhibitor
4	2605811	Shift Rail Guides (3 Req'd)	47	2603897	Reverse Inhibitor Roll Pin
5	2605812	Shift Rail Guide O-Ring (9 Req'd)	48	2606248	Lug Extension Cover
6	2605804	Early—First-Second Shift Rail	49	2604902	Bolt (4 Req'd)
6A	TCBR-0004	Late—First-Second Shift Rail	50	2604899	Star Washer (4 Req'd)
7	2604895	Shift Interlock Pin (2 Req'd)	51	2671061	Shift Turret Assy
8	2605817	E-Clip Snap Ring (2 Req'd)	52	2605984	Lateral Support Pivot (2 Req'd)
9	2604154	Shift Lug Roll Pin (2 Req'd)	53	2124715	Breather
10	10J000008	Ball Bearing	54	2605949	Lateral Support Pivot Locking Tab
11	2606264	Transversal Spring	55	2606237	3550 model—Shift Lever Assy (Standard Throw)
12	2606212	First-Second/Fifth-Reverse Shift Lug (2 Req'd)	55A	2670945	3550 model—Shift Lever Assy (Short Throw)
13	2606263	Piston Spring (2 Req'd)	56	2606240	Turret Dust Cover
14	14J1822	Shift Lug Roll Pin	57	2604025	Turret Dust Cover Retaining Bolt (4 Req'd)
15	2605815	Piston (2 Req'd)	58	2603968	Turret Assy Retaining Bolt
16	2606293	Third and Fourth Shift Lug	59	2606247	Early—Shift Link
17	2606265	First-Second/Fifth-Reverse Shift Lug Assy	59A	2606464	Late—Shift Link
18	2605806	Early—Fifth-Reverse Shift Rail	60	2606247	Early—Shift Lever Socket
18A	TCBR-0003	Late—Fifth-Reverse Shift Rail	60A	2606463	Late—Shift Lever Socket
19	2605805	Early—Third-Fourth Shift Rail	61	2606246	Shift Lever Socket Bushing
19A	TCBR-0002	Late—Fifth-Reverse Shift Rail	62	2601227	Early—Shift Lever Socket Assy Allen Screw
20	2604154	Shift Fork Roll Pin (3 Req'd)	62A	14J1822	Late—Shift Lever Socket Assy Allen Screw
21	2606214	Fifth-Reverse Shift Lever	63	2601227	Early—Shift Select Finger Allen Screw
22	2605808	First-Second Shift Fork	63A	14J1822	Late—Shift Select Finger Allen Screw
23	2605996	Third-Fourth Shift Fork	64	2605855	Shift Select Finger
24	2605992	Shift Fork Nylon Inserts	65	2603979	3550 Model—Extension Housing Oil Seal
25	2605829	Interlock Bracket Bolt (2 Req'd)	65A	2606416	TKO Model—Extension Housing Oil Seal
26	2605810	Interlock Spring Bracket	66	2606244	Neutral Safety Switch
27	2601082	Interlock Spring (3 Req'd)	67	17271	Speedometer Driven Gear
28	10J000012	Ball Bearing (3 Req'd)	68	99796-0616	Speedometer Cable Retaining Screw
29A	2605803	Case Cover w/o Guide Pins	69	2606216	Reverse Shift Fork Assy
29B	2605802	Case Cover w/ Guide Pins	70	2605823	Fifth and Reverse Shift Rail
29C	TCBR-0001	Late—Case Cover/Shifting Assembly	71	2604342	Reverse and Overdrive Actuating Pin Roll Pin
30	25603968	Case Cover Bolt (10 Req'd)	72	2604154	Fifth Gear Shift Fork Roll Pin
31	2605083	Interlock Plug Allen Screw	73	2606111	Fifth Gear Shift Fork Assy
32	2604832	Center Interlock Pin	74	2603965	Wave Type "E" Clip
33	2606106	Transmission Case Assy (also includes #36 & #37)	75	2605948	Reverse and Overdrive Lever
34	13F000008	Drain Plug	76	2605824	Reverse and Overdrive Actuating Pin
35	13F000008	Filler Plug	77	2605793	Reverse Shaft
36	2603939	Magnet Retainer Lock (not serviced separately)	78	14J2524	Reverse Shaft Locking Pin
37	2602631	Case Magnet (Not Serviced Separately)	79	2603695	Reverse Idler Assy Thrust Washer (2 Req'd)
38	2604636	Extension Housing-To-Case Alignment Dowel Pin			
39	2605032	Backup Lamp Switch Gasket			
40	2606249	Backup Lamp Switch			
41	2604720	Reverse Balancing Pivot Pin			
42	2606095	Reverse Inhibitor Shaft			
43	6501095	Reverse Inhibitor Shaft Allen Screw			
44	2606223	3550 model—Extension Housing Assy			
44A	2606414	TKO model—Extension Housing Assy (Includes bushing)			

Transmission Gearing & Related Parts

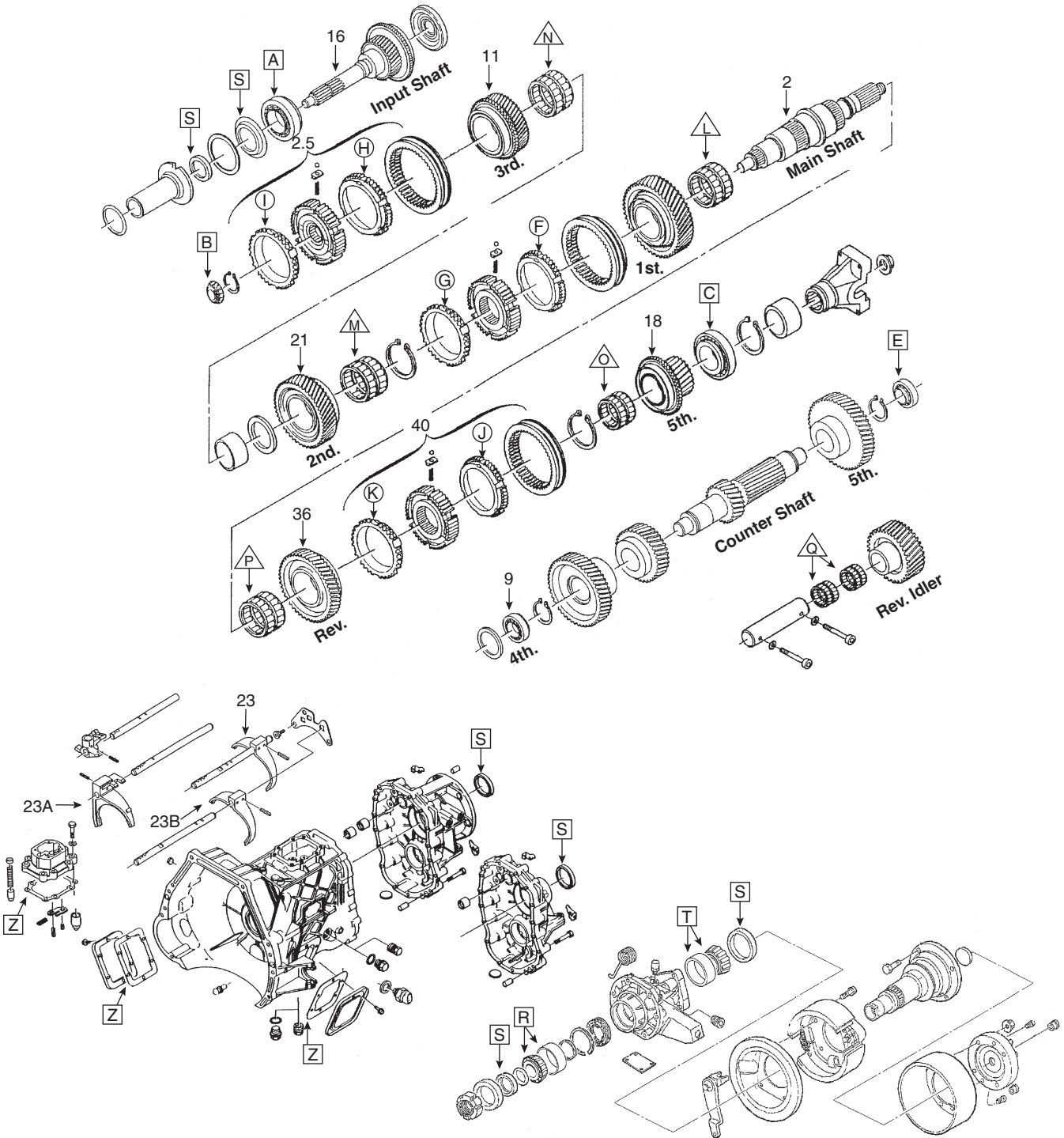
Tremec TR3550 and TKO continued

NO.	PART NO.	DESCRIPTION	NO.	PART NO.	DESCRIPTION
80	2605799	Early—Roller Bearing End Spacer (2 Req'd)	116	2670739	First-Second Synchronizer Assy and Reverse Gear
80A	2606465	Late—Roller Bearing End Spacer (3 Req'd)	117	2606110	Early—Spacer (First Gear)
81	2605797	Early—Reverse Gear Roller Bearing (44 Req'd)	117A	2602650	Late—Snap Ring (First Gear Bearing)
81	2605797	Late—Reverse Gear Roller Bearing (22 Req'd)	118	2606109	Roller Bearing Assy
81A	2602661	Late—Reverse Gear Roller Bearing (44 Req'd)	119	2606070	First Gear
82	2606094	Reverse Gear	120	2605708	Split Ring Thrust Washer Retainer
83	2605795	Thrust Washer	121	2605707	Split Ring Thrust Washer
84	2605798	Early—Roller Bearing Spacer	122	2605706	Output Shaft-To-Case Bearing
84A	2606466	Late—Roller Bearing Spacer	123	2605701	Bearing Race
85	2605800	Reverse Selector Sleeve	124	2605700	Output Shaft-To-Case Bearing Assy
86	2606093	Reverse Idle Gear	125	2606242	3550 Model—Output Shaft (28 Splines)
87	2603698	Front Bearing Retainer Bolts (4 Req'd)	125A	2606413	TKO Model—Output Shaft (31 Splines)
88	2606243	Front Bearing Retainer	126	10J00006	Ball Bearing
89	2603865	Input Shaft Seal	127	10J000008	Ball Bearing
90	2606066-069	Input Shaft-To-Case Bearing Selective Shim	128	2601215	Speedometer Drive Gear
91	2605686	Input Shaft-To-Case Bearing Cup	129	2604502	Snap Ring
92	2606065	Input Shaft-To-Case Taper Roller Bearing	130	2606258	O-Ring Seal
93	2606064	Input Shaft-To-Case Taper Roller Bearing Assy	131	2606288	Case Plug
94	2606241	3550 Model—Input Shaft (10 Splines)	132	2605787	Countershaft Bearing Race (2 Req'd)
94A	2606412	TKO Model—Input Shaft (26 Splines)	133	2605788	Countershaft Bearing (2 Req'd)
95	2601210	Input Shaft Pocket Bearings (17 Req'd)	134	2605786	Countershaft Bearing Assy
96	2605768	Fourth Gear Clutch Cone	135	2606261	Early—Countershaft (One Piece)
97	2605124	Synchronizer Blocker Ring	135A	2606225	Late—Countershaft With Integral First and Second Gears
98	2705766	Thrust Washer	135B	2606232	Late—Countershaft - Fourth Gear
99	235382	Thrust Bearing	135C	2606233	Late—Countershaft - Third Gear
100	2905767	Thrust Washer	135D	5J001008	Late—Countershaft - Woodruff Keys (2 Req'd)
101	2605764	Synchronizer Collar	135E	2602645	Late—Countershaft - Snap Ring
102	2604372	Synchronizer Insert (3 Req'd)	136	2606087	Countershaft-To-Case Bearing Assy
103	2605117	Synchronizer Spring (2 Req'd)	137	2606118	Thrust Washer
104	2606083	Synchronizer Hub	138	2606089	Synchronizer Hub-Fifth Gear
105	2606082	Third-Fourth Synchronizer Assy	139	2605780	Synchronizer Collar
106	2606262	Third Gear Assy	140	2606088	Fifth Gear Synchronizer Assy
107	2606081	Early—Spacer (Third Gear)	141	2602661	Roller Bearings (86 Req'd)
107A	2606339	Late—Snap Ring (Third Gear Bearing Cage)	142	2606092	Roller Bearing Spacer
108	2606075	Roller Bearing Assy	143	2606091	Fifth Gear Clutch Cone
109	2606077	Split Ring Thrust Washer Retainer	144	2605789-792	Countershaft Rear Bearing
110	2606076	Split Ring Thrust Washer	145	1C000728	Extension Housing-To-Case Bolt (6 Req'd)
111	2606074	Second Gear	146	5E000007	Star Washer (6 Req'd)
112	2602650	Snap Ring	147	2603891	3550 Model—Extension Housing Bushing
113	2606073	Synchronizer Collar	147A	2606417	TKO Model—Extension Housing Bushing
114	2602648	Synchronizer Inserts (3 Req'd)			
115	2606072	Synchronizer Hub			

References to original equipment part numbers are for cross reference and identification purpose only.

Transmission Gearing & Related Parts

ZF S5-42, S5-47 & S5-47M



□ = Contained in all kits.

○ = Contained in WS (With Synchros) kits.

△ = Contained in N (With Needle Brgs.) kits.

ZF S5-42, S5-47 & S5-47M

Transmission Gearing & Related Parts

ZF S5-42, S5-47 & S5-47M

Position	Description	Specifications	Applications	Model #'s	Assembly #'s	Part Number
2	Main Shaft		4x4	S5-42	100, 102, 103, 109, 111, 120	ZF42-2
2	Main Shaft		4x4	S5-42	118	1307304353
2	Main Shaft		4x2	S5-42	050, 051, 053, 054, 056, 057, 059, 064, 108, 110	ZF42-2A
2	Main Shaft		4x4	S5-47	002	1307304353
2	Main Shaft		4x4	S5-47/S5-47M	004, 007, 012, 013, 008, 016, 020	ZF42-2
2	Main Shaft		4x2	S5-47/S5-47M	001, 003, 006, 014, 016, 020	ZF42-2A
2.5	3rd/4th Gear Synchro Assy.			S5-42	All	*ZF42-2.5
2.5	3rd/4th Gear Synchro Assy.			S5-47/S5-47M	All	1317204039
9	Counter Shaft 4th Gear	45T		S5-42	050, 051, 053, 054, 059, 064, 102, 110, 111, 118, 120	ZF42-9
9	Counter Shaft 4th Gear	41T		S5-42	056, 057, 100, 103, 108, 109	ZF42-9A
9	Counter Shaft 4th Gear	43T		S5-47	003, 004, 012	ZF47-9B
9	Counter Shaft 4th Gear	45T		S5-47/S5-47M	001, 002, 006, 007, 013, All S5-47M	ZF42-9
11	3rd Gear	30T		S5-42	050, 051, 053, 054, 059, 064, 102, 110, 111, 118, 120	ZF42-11
11	3rd Gear	40T		S5-42	056, 057, 100, 103, 108, 109	ZF42-11A
11	3rd Gear	31T		S5-47	003, 004, 012	ZF47-11
11	3rd Gear			S5-47/S5-47M	001, 002, 006, 007, 013, All S5-47M	1317204006
16	Input Shaft	27T 11 ³ / ₄ " OAL		S5-42	050, 051, 064, 118	ZF42-16B
16	Input Shaft	27T 9 ¹ / ₂ " OAL		S5-42	053, 054, 059, 102, 110, 111, 120	ZF42-16
16	Input Shaft	34T 9 ⁵ / ₈ " OAL		S5-42	056, 057, 100, 103, 108, 109	ZF42-16A
16	Input Shaft			S5-47	001, 002	1317202015
16	Input Shaft	29T, 9 ¹ / ₂ " OAL		S5-47	003, 004, 012	ZF47-16B
16	Input Shaft			S5-47	006, 007, 013	1317202017
16	Input Shaft			S5-47M	All	1317202033
18	Main Shaft 5th Gear	26T		S5-42	050, 051, 053, 054, 059, 064, 102, 110, 111, 118, 120	ZF42-18
18	Main Shaft 5th Gear	30T		S5-42	056, 057, 100, 103, 108, 109	ZF42-18A
18	Main Shaft 5th Gear	25T		S5-47	003, 004, 012"	ZF47-18
18	Main Shaft 5th Gear			S5-47/S5-47M	001, 002, 006, 007, 013, All S5-47M	1317204018
21	2nd Gear	37T		S5-42	050, 051, 053, 054, 059, 064, 102, 110, 111, 118, 120	ZF42-21A
21	2nd Gear	51T		S5-42	056, 057, 100, 103, 108, 109	ZF42-21
21	2nd Gear	37T		S5-47/S5-47M	All	ZF47-21
23	1st/2nd Gear Shift Fork Assembly		Fork Only, No Rail Included, Fits only S5-47	S5-47/S5-47M	All	ZF47-23
23	1st/2nd Gear Shift Fork Assembly		Fork Only, No Rail Included, Fits S5-42 & S5-47	S5-42/S5-47/S5-47M		ZF42-23
23A	3rd/4th Gear Shift Fork			S5-42/S5-47/S5-47M	All	ZF42-23A
23B	5th/Rev. Gear Shift Fork			S5-42/S5-47/S5-47M	All	ZF42-23B
36	Main Shaft Rev. Gear	44T		S5-42	All	ZF42-36
36	Main Shaft Rev. Gear	44T		S5-47/S5-47M	All	ZF47-36A
40	5th/Rev. Gear Synchro Assy.			S5-42	All	*ZF42-40

References to original equipment part numbers are for cross reference and identification purpose only.

Transmission Gearing & Related Parts

ZF S5-42, S5-47 & S5-47M continued

Position	Description	Specifications	Applications	Model #'s	Assembly #'s	Part Number
A	Input Shaft Brg.			S5-42/S5-47/S5-47M		ZT1096-ZT1097
B	Main Shaft Pilot Brg.			S5-42/S5-47/S5-47M		ZT1101
C	Main Shaft Rear Brg.			S5-42/S5-47/S5-47M		ZT1098-ZT1097
D	Counter Shaft Front Brg.			S5-42/S5-47/S5-47M		ZT1099-ZT1100
E	Counter Shaft Rear Brg.			S5-42/S5-47/S5-47M		ZT1099-ZT1100
F	1st Gear Synchro Ring			S5-42		ZSY1198
F	1st Gear Synchro Ring			S5-47/S5-47M		ZSY1203
G	2nd Gear Synchro Ring			S5-42		ZSY1198
G	2nd Gear Synchro Ring			S5-47/S5-47M		ZSY1203
H	3rd Gear Synchro Ring			S5-42		ZSY1199
H	3rd Gear Synchro Ring			S5-47/S5-47M		ZSY1204
I	4th Gear Synchro Ring			S5-42		ZSY1199
I	4th Gear Synchro Ring			S5-47/S5-47M		ZSY1204
J	Main Shaft 5th Gear Synchro Ring			S5-42		ZSY1199
J	Main Shaft 5th Gear Synchro Ring			S5-47/S5-47M		ZSY1204
K	Main Shaft Rev. Gear Synchro Ring			S5-42		ZSY1200
K	Main Shaft Rev. Gear Synchro Ring			S5-47/S5-47M		ZSY1205
L	1st Gear Brg.			S5-42/S5-47/S5-47M		ZN1055
M	2nd Gear Brg.			S5-42/S5-47/S5-47M		ZN1057
N	3rd Gear Brg.			S5-42/S5-47/S5-47M		ZN1057
N	3rd Gear Brg. Inner Race			S5-42/S5-47/S5-47M		ZN1056
O	Main Shaft 5th Gear Brg.			S5-42/S5-47/S5-47M		ZN1058
P	Main Shaft Rev. Gear Brg.			S5-42/S5-47/S5-47M		ZN1055
Q	Rev. Idler Gear Brg.		Req. 2	S5-42/S5-47/S5-47M		ZN1059
R	Shift Lever Brg.			S5-42/S5-47/S5-47M		ZN1060
S	Input Shaft Seal		35x50x7	S5-42/S5-47		3771
S	Input Shaft Seal		38x50x7	S5-47M		14703
S	Ext. Housing Seal		4x4	S5-42/S5-47/S5-47M		15803
S	Ext. Housing Seal		2WD	S5-42/S5-47/S5-47M		225010
S	Oil Baffle			S5-42/S5-47/S5-47M		E7TZ7040A
S	Oil Ring			S5-42/S5-47/S5-47M		F4TZ7046A
S	Front Brg. Retainer O-Ring			S5-42/S5-47/S5-47M		ZM1004
S	Detent Pin Plug		Req. 3	S5-42/S5-47/S5-47M		ZM1035
S	Detent Pin Plug		Req. 3	S5-42/S5-47/S5-47M		ZM1036
S	Sealing Plug			S5-42/S5-47/S5-47M		ZM1035
Z	Gear Shift Gasket			S5-42		Part of GT-300ZF
Z	PTO Cover Gasket			S5-42		Part of GT-300ZF

Transfer Case Rebuild Kit Applications

Light Duty Transfer Case Index

Vehicle	Model #	Years	Notes	Bearing, Seal & Gasket Kit	Seal & Gasket Kit
Chrysler (Dodge, Plymouth)					
1/2, 3/4 & 1 Ton Truck	201	56-68		TCRK-201	DTK-201
1/2, 3/4 & 1 Ton Truck	203	73-79		TCRK-203G	DTK-203G
1/2, 3/4 & 1 Ton Truck	205	69-87	w/ 6307N Input Bearing	TCRK-205G	DTK-205G
1/2, 3/4 & 1 Ton Truck	205	88-93	w/ 6210N Input Bearing	TCRK-205D	DTK-205D
1/2, 3/4 & 1 Ton Truck	208	81-87	Includes Small Parts Kit	TCRK-208SPK	DTK-208
1/2, 3/4 & 1 Ton Truck	231	94-96		TCRK-231DD	DTK-231DD
1/2, 3/4 & 1 Ton Truck	231	97-0n		TCRK-231EE	DTK-231EE
1/2, 3/4 & 1 Ton Truck	241	88-93		TCRK-241AA	DTK-241
1/2, 3/4 & 1 Ton Truck	241	94		TCRK-241	DTK-241
1/2, 3/4 & 1 Ton Truck	241	95-96		TCRK-241BB	DTK-241
1/2, 3/4 & 1 Ton Truck	241	97-99		TCRK-241EE	DTK-241
1/2, 3/4 & 1 Ton Truck	241	97-99	241 DHD (Heavy Duty)	TCRK-241FF	DTK-241
1/2, 3/4 & 1 Ton Truck	241	00-On		TCRK-241CC	DTK-241
1/2, 3/4 & 1 Ton Truck	241	00-On	241 DHD (Heavy Duty)	TCRK-241DD	DTK-241
1/2, 3/4 & 1 Ton Truck	243	02-On	Electric Shift	TCRK-241CC	DTK-241
1/2, 3/4 & 1 Ton Truck	271	03-0n		TCRK-271AA	DTK-271AA
1/2, 3/4 & 1 Ton Truck	273	03-0n		TCRK-271AA	DTK-271AA
Caravan	Steyr	91-03		TCRK-STEYR100	DTK-STEYR100
Dakota	207	86-87		TCRK-207	DTK-207
Dakota	231	88-93	w/ BD50-8 I/S Brg	TCRK-231	DTK-231
Dakota	231	94-0n	w/ 6010N I/S Brg	TCRK-231EE	DTK-231EE
Dakota	233	01-0n	Electric Shift	TCRK-233AA	DTK-233AA
Dakota	242	97-99	w/ 6010N I/S Brg	TCRK-242DD	DTK-242DD
Dakota	242	00-0n	w/ BD50-8 I/S Brg	TCRK-242EE	DTK-242EE
Dakota	244	01-0n	Electric Shift	TCRK-242EE	DTK-242EE
Durango	231	98-0n		TCRK-231EE	DTK-231EE
Durango	233	01-0n	Electric Shift	TCRK-233AA	DTK-233AA
Durango	242	98-99	w/ 6010N I/S Brg	TCRK-242DD	DTK-242DD
Durango	242	00-0n	w/ BD50-8 I/S Brg	TCRK-242EE	DTK-242EE
Durango	244	01-0n	Electric Shift	TCRK-242EE	DTK-242EE
Grand Caravan	Steyr	91-03		TCRK-STEYR100	DTK-STEYR100
Grand Voyager	Steyr	91-03		TCRK-STEYR100	DTK-STEYR100
Town & Country	Steyr	91-03		TCRK-STEYR100	DTK-STEYR100
Voyager	Steyr	91-03		TCRK-STEYR100	DTK-STEYR100

Daihatsu

Rocky		88-0n		TCRK-FD120	DTK-FD120
-------	--	-------	--	------------	-----------

Ford (Lincoln, Mercury)

Aerostar	Dana 28	89-97		TCRK-28	DTK-28
Bronco	Dana 20	66-72		TCRK-20B	DTK-20F
Bronco	Dana 20	73-77		TCRK-20C	DTK-20F
Bronco	205	78-79	Direct Mount	TCRK-205F	DTK-205F
Bronco	208	80-86	Includes Small Parts Kit	TCRK-208SPK	DTK-208
Bronco	1356	87-96	Manual Shift	TCRK-1356	DTK-1356
Bronco	1356	92-96	Electric Shift	TCRK-1356	DTK-1356
Bronco II, Man shift	1350	84-90	Manual Shift or Electric Shift	TCRK-1350	DTK-1350
Bronco II	1359	84-90	Dummy Case used in 2WD Applications	TCRK-1359	DTK-1359
Excursion	273	00-0n	Electric Shift	TCRK-271	DTK-271
Expedition	4406	97-02	Torque on Demand	TCRK-4406	DTK-4406
Expedition	4416	03-0n		TCRK-4416	DTK-4416
Explorer	1354	91-95	Manual Shift or Electric Shift	TCRK-1354	DTK-1354

Transfer Case Rebuild Kit Applications

Vehicle	Model #	Years	Notes	Bearing, Seal & Gasket Kit	Seal & Gasket Kit
Ford (Lincoln, Mercury) CONTINUED					
Explorer	4405	95-96	V-6 w/ Electric Shift	TCRK-4405	DTK-4405
Explorer	4405	97-01	V-6 w/ Electric Shift	TCRK-4405AA	DTK-4405
Explorer	4404	96-98	V-8 w/ TOD	TCRK-4404	DTK-4404
Explorer	4403	99-01	AWD	TCRK-4403	DTK-4403
Explorer	4404	02-03	V-8 w/ TOD	TCRK-4404	DTK-4404
Explorer	4411	02-On	V-6	TCRK-4411	DTK-4411
Explorer	4410	02-On	V-8	TCRK-4410	DTK-4410
F-150	Dana 21	65-74		TCRK-21	DTK-21
F-150	Dana 24	62-72		TCRK-24	DTK-24
F-150	203	72-79	Direct Mount	TCRK-203F	DTK-203F
F-150	203	72-75	Remote Mount	TCRK-203FA	DTK-203FA
F-150	205	71-89	Direct Mount	TCRK-205F	DTK-205F
F-150	205	71-77	Remote Mount	TCRK-205FA	DTK-205R
F-150	208	80-86	Includes Small Parts Kit	TCRK-208SPK	DTK-208
F-150	1345	81-91		TCRK-1345	DTK-1345
F-150	1356	87-96	Manual Shift	TCRK-1356	DTK-1356
F-150	1356	92-96	Electric Shift	TCRK-1356	DTK-1356
F-150	4406	97-On	Manual Shift, Electric Shift & Torque on Demand	TCRK-4406	DTK-4406
F-250	Dana 21	65-74		TCRK-21	DTK-21
F-250	Dana 24	62-72		TCRK-24	DTK-24
F-250	203	72-79	Direct Mount	TCRK-203F	DTK-203F
F-250	203	72-75	Remote Mount	TCRK-203FA	DTK-203FA
F-250	205	71-89	Direct Mount	TCRK-205F	DTK-205F
F-250	205	71-77	Remote Mount	TCRK-205FA	DTK-205R
F-250	208	80-86	Includes Small Parts Kit	TCRK-208SPK	DTK-208
F-250	1345	81-91		TCRK-1345	DTK-1345
F-250	1356	87-96	Manual Shift	TCRK-1356	DTK-1356
F-250	4406	97-99	Manual Shift, Electric Shift & Torque on Demand	TCRK-4406	DTK-4406
F-250	4407	96-97		TCRK-4407	DTK-4407
F-250	271	99-On		TCRK-271	DTK-271
F-250	273	99-On	Electric Shift	TCRK-271	DTK-271
F-350	Dana 21	65-74		TCRK-21	DTK-21
F-350	Dana 24	62-72		TCRK-24	DTK-24
F-350	203	72-79	Direct Mount	TCRK-203F	DTK-203F
F-350	203	72-75	Remote Mount	TCRK-203FA	DTK-203FA
F-350	205	71-89	Direct Mount	TCRK-205F	DTK-205F
F-350	205	71-77	Remote Mount	TCRK-205FA	DTK-205R
F-350	208	80-86	Includes Small Parts Kit	TCRK-208SPK	DTK-208
F-350	1345	81-87		TCRK-1345	DTK-1345
F-350	1356	87-97	Manual Shift	TCRK-1356	DTK-1356
F-350	4407	96		TCRK-4407	DTK-4407
F-350	271	99-On		TCRK-271	DTK-271
F-350	273	99-On	Electric Shift	TCRK-271	DTK-271
Mountaineer	4404	97-98	V-8 w/ TOD	TCRK-4404	DTK-4404
Mountaineer	4403	99-01	AWD	TCRK-4403	DTK-4403
Mountaineer	4404	02-On	V-8 w/ TOD	TCRK-4404	DTK-4404
Navigator	4406	99-02	Torque on Demand	TCRK-4406	DTK-4406
Navigator	4416	03-On		TCRK-4416	DTK-4416
Ranger	1350	83-90	Manual Shift or Electric Shift	TCRK-1350	DTK-1350
Ranger	1354	91-98	Manual Shift	TCRK-1354	DTK-1354
Ranger	1354	91-On	Electric Shift	TCRK-1354	DTK-1354

Transfer Case Rebuild Kit Applications

Vehicle	Model #	Years	Notes	Bearing, Seal & Gasket Kit	Seal & Gasket Kit
GM (Chevrolet, GMC, Buick, Cadillac, Oldsmobile, Hummer, Geo)					
1/2, 3/4 & 1 Ton Truck	149	2003	One Speed	TCRK-149	DTK-149
1/2, 3/4 & 1 Ton Truck	203	73-79		TCRK-203G	DTK-203G
1/2, 3/4 & 1 Ton Truck	205	70-On	w/ 6307N Input Bearing	TCRK-205G	DTK-205G
1/2, 3/4 & 1 Ton Truck	205	70-On	w/ 6210N Input Bearing	TCRK-205GDM4	DTK-205G
1/2, 3/4 & 1 Ton Truck	208	81-88	Includes Small Parts Kit	TCRK-208SPK	DTK-208
1/2, 3/4 & 1 Ton Truck	221		Rockwell	TCRK-221	DTK-221
1/2, 3/4 & 1 Ton Truck	241	88-94	w/ BD50-8 I/S Brg	TCRK-241	DTK-241
1/2, 3/4 & 1 Ton Truck	241	94-On	w/ 6010N I/S Brg	TCRK-241BB	DTK-241
1/2, 3/4 & 1 Ton Truck	243	91-00	Electric Shift	TCRK-241BB	DTK-241
1/2, 3/4 & 1 Ton Truck	246	98-On		TCRK-246	DTK-246
1/2, 3/4 & 1 Ton Truck	261	99-ON		TCRK-261	DTK-261
1/2, 3/4 & 1 Ton Truck	261HD	01-ON	Heavy Duty	TCRK-261AA	DTK-261
1/2, 3/4 & 1 Ton Truck	261SHD	01-ON	Super Heavy Duty	TCRK-261BB	DTK-261
1/2, 3/4 & 1 Ton Truck	263	99-ON		TCRK-261	DTK-261
1/2, 3/4 & 1 Ton Truck	263HD	01-ON	Heavy Duty	TCRK-261AA	DTK-261
1/2, 3/4 & 1 Ton Truck	263SHD	01-ON	Super Heavy Duty	TCRK-261BB	DTK-261
1/2, 3/4 & 1 Ton Truck	1370	88-00		TCRK-1356	DTK-1356
1/2, 3/4 & 1 Ton Truck	1372	88-00		TCRK-1372	DTK-4472
1/2, 3/4 & 1 Ton Truck	4401	89-00		TCRK-1356	DTK-1356
1/2, 3/4 & 1 Ton Truck	4470	89-00		TCRK-4470	DTK-1356
1/2, 3/4 & 1 Ton Truck	4481	2003	AWD, One Speed	TCRK-4481	DTK-4481
1/2, 3/4 & 1 Ton Truck	4482	2003	AWD, Two Speed	TCRK-4482	DTK-4482
Astro Van	4472	90-98		TCRK-1372	DTK-4472
Astro Van	136	98-On	One Speed	TCRK-236	DTK-236
Avalanche	149	2003	One Speed	TCRK-149	DTK-149
Avalanche	246	02-On		TCRK-246	DTK-246
Avalanche	261	02-On		TCRK-261	DTK-261
Avalanche	261HD	02-On	Heavy Duty	TCRK-261AA	DTK-261
Avalanche	263	2003	Electric Shift	TCRK-261	DTK-261
Avalanche	263HD	2003	Electric Shift, Heavy Duty	TCRK-261AA	DTK-261
Blazer (S-10)	136	98-On	One Speed	TCRK-236	DTK-236
Blazer (S-10)	207	83-88		TCRK-207	DTK-207
Blazer (S-10)	231	86-91		TCRK-231	DTK-231
Blazer (S-10)	231	92-94		TCRK-231BB	DTK-231
Blazer (S-10)	231	95-On		TCRK-231CC	DTK-231CC
Blazer (S-10)	233	92-93	Electric Shift	TCRK-231BB	DTK-231
Blazer (S-10)	233	94-On	Electric Shift	TCRK-231CC	DTK-231CC
Blazer (S-10)	236	98-On	Two Speed	TCRK-236	DTK-236
Blazer (S-10)	4472	95-97		TCRK-1372	DTK-4472
Blazer (Full Size)	203	73-79		TCRK-203G	DTK-203G
Blazer (Full Size)	205	70-91	w/ 6307N Input Bearing	TCRK-205G	DTK-205G
Blazer (Full Size)	205	70-91	w/ 6210N Input Bearing	TCRK-205GDM4	DTK-205G
Blazer (Full Size)	208	81-88	Includes Small Parts Kit	TCRK-208SPK	DTK-208
Blazer (Full Size)	241	88-94		TCRK-241	DTK-241
Blazer (Full Size)	243	91-94	Electric Shift	TCRK-241BB	DTK-241
Blazer (Full Size)	1370	93-94		TCRK-1356	DTK-1356
Blazer (Full Size)	1372	93-94		TCRK-1372	DTK-4472
Blazer (Full Size)	4401	93-94		TCRK-1356	DTK-1356
Blazer (Full Size)	4470	93-94		TCRK-4470	DTK-1356

Transfer Case Rebuild Kit Applications

Vehicle	Model #	Years	Notes	Bearing, Seal & Gasket Kit	Seal & Gasket Kit
GM (Chevrolet, GMC, Buick, Cadillac, Oldsmobile, Hummer, Geo) CONTINUED					
Bravada	4472	91-97		TCRK-1372	DTK-4472
Bravada	136	98-On	One Speed	TCRK-236	DTK-236
Escalade	149	2003	One Speed	TCRK-149	DTK-149
Escalade	246	99-On		TCRK-246	DTK-246
Envoy	136	98-01	One Speed	TCRK-236	DTK-236
Envoy	236	98-01	Two Speed	TCRK-236	DTK-236
Envoy	226	02-On		TCRK-226	DTK-226
Hummer H-1	218	85-99		TCRK-218	DTK-218
Hummer H-1	242	90-On		TCRK-242AA	DTK-242
Hummer H-2	4484	02-On	AWD, Two Speed	TCRK-4484	DTK-4484
Jimmy (S-15)	136	98-On	One Speed	TCRK-236	DTK-236
Jimmy (S-15)	207	83-88		TCRK-207	DTK-207
Jimmy (S-15)	231	86-91		TCRK-231	DTK-231
Jimmy (S-15)	231	92-94		TCRK-231BB	DTK-231
Jimmy (S-15)	231	95-On		TCRK-231CC	DTK-231CC
Jimmy (S-15)	233	92-93	Electric Shift	TCRK-231BB	DTK-231
Jimmy (S-15)	233	94-On	Electric Shift	TCRK-231CC	DTK-231CC
Jimmy (S-15)	236	98-On	Two Speed	TCRK-236	DTK-236
Jimmy (S-15)	4472	95-97		TCRK-1372	DTK-4472
Jimmy (Full Size)	203	73-79		TCRK-203G	DTK-203G
Jimmy (Full Size)	205	70-91	w/6307N Input Bearing	TCRK-205G	DTK-205G
Jimmy (Full Size)	205	70-91	w/6210N Input Bearing	TCRK-205GDM4	DTK-205G
Jimmy (Full Size)	208	81-88	Includes Small Parts Kit	TCRK-208SPK	DTK-208
Jimmy (Full Size)	241	88-91		TCRK-241	DTK-241
Jimmy (Full Size)	243	91	Electric Shift	TCRK-241BB	DTK-241
Safari Van	4472	90-98		TCRK-1372	DTK-4472
Safari Van	136	98-On	One Speed	TCRK-236	DTK-236
S-10/S-15/Sonoma Pick-Up	207	83-88	All	TCRK-207	DTK-207
S-10/S-15/Sonoma Pick-Up	231	86-91	All	TCRK-231	DTK-231
S-10/S-15/Sonoma Pick-Up	231	92-93	Extended Cab	TCRK-231	DTK-231
S-10/S-15/Sonoma Pick-Up	231	92-93	Standard Cab	TCRK-231BB	DTK-231
S-10/S-15/Sonoma Pick-Up	231	94	All	TCRK-231BB	DTK-231
S-10/S-15/Sonoma Pick-Up	231	95-On	All	TCRK-231CC	DTK-231CC
S-10/S-15/Sonoma Pick-Up	233	92-93	Electric Shift, Extended Cab	TCRK-231	DTK-231
S-10/S-15/Sonoma Pick-Up	233	92-93	Electric Shift, Standard Cab	TCRK-231BB	DTK-231
S-10/S-15/Sonoma Pick-Up	233	94-On	Electric Shift, All	TCRK-231CC	DTK-231CC
Suburban	149	2003	One Speed	TCRK-149	DTK-149
Suburban	203	73-79		TCRK-203G	DTK-203G
Suburban	205	70-On	w/ 6307N Input Bearing	TCRK-205G	DTK-205G
Suburban	205	70-On	w/ 6210N Input Bearing	TCRK-205GDM4	DTK-205G
Suburban	208	81-88	Includes Small Parts Kit	TCRK-208SPK	DTK-208
Suburban	241	88-94	w/ BD50-8 I/S Brg	TCRK-241	DTK-241
Suburban	241	94-On	w/ 6010N I/S Brg	TCRK-241BB	DTK-241
Suburban	243	91-00	Electric Shift	TCRK-241BB	DTK-241
Suburban	246	98-On		TCRK-246	DTK-246
Suburban	261	99-On		TCRK-261	DTK-261
Suburban	261HD	01-On	Heavy Duty	TCRK-261AA	DTK-261
Suburban	263	99-On	Electric Shift	TCRK-261	DTK-261
Suburban	263HD	01-On	Electric Shift, Heavy Duty	TCRK-261AA	DTK-261
Suburban	1370	88-00		TCRK-1356	DTK-1356
Suburban	1372	88-00		TCRK-1372	DTK-4472

Transfer Case Rebuild Kit Applications

Light Duty Transfer Case Index

Vehicle	Model #	Years	Notes	Bearing, Seal & Gasket Kit	Seal & Gasket Kit
GM (Chevrolet, GMC, Buick, Cadillac, Oldsmobile, Hummer, Geo) CONTINUED					
Suburban	4401	89-00		TCRK-1356	DTK-1356
Suburban	4470	89-00		TCRK-4470	DTK-1356
Suburban	4481	03-On	AWD, One Speed	TCRK-4481	DTK-4481
Suburban	4482	03-On	AWD, Two Speed	TCRK-4482	DTK-4482
Syclone	4472	91		TCRK-1372	DTK-4472
Tahoe	149	2003	One Speed	TCRK-149	DTK-149
Tahoe	241	95-00		TCRK-241BB	DTK-241
Tahoe	243	95-00	Electric Shift	TCRK-241BB	DTK-241
Tahoe	246	98-On		TCRK-246	DTK-246
Tahoe	261	99-On		TCRK-261	DTK-261
Tahoe	263	99-On	Electric Shift	TCRK-261	DTK-261
Tracker		87-97		TCRK-FS140	DTK-FS140
Trailblazer	226	02-On		TCRK-226	DTK-226
Typhoon	4472	92-93		TCRK-1372	DTK-4472
Yukon	149	2003	One Speed	TCRK-149	DTK-149
Yukon	241	92-94	w/ BD50-8 I/S Brg	TCRK-241	DTK-241
Yukon	241	94-00	w/ 6010N I/S Brg	TCRK-241BB	DTK-241
Yukon	243	92-00	Electric Shift	TCRK-241BB	DTK-241
Yukon	246	98-On		TCRK-246	DTK-246
Yukon	261	99-On		TCRK-261	DTK-261
Yukon	263	99-On	Electric Shift	TCRK-261	DTK-261
Infiniti					
QX4		97-On		TCRK-FN510	DTK-FN510
Isuzu					
		88-On	Behind 4L30E Transmission Only	TCRK-FI190	DTK-FI190
Jeep					
CJ	Dana 18	41-45		TCRK-18A	DTK-18
CJ	Dana 18	46-61		TCRK-18B	DTK-18
CJ	Dana 18	61-71		TCRK-18	DTK-18
CJ	Dana 20	72-73		TCRK-20	DTK-20J
CJ	Dana 20	74-79		TCRK-20A	DTK-20J
CJ	Dana 300	80-86		TCRK-300	DTK-300
CJ	1305	76-79	Quadra-Trac	TCRK-1305	DTK-1305
CJ	1339	76-79	Quadra-Trac	TCRK-1305	DTK-1305
Cherokee	207	84-86		TCRK-207	DTK-207
Cherokee	228	86		TCRK-229	DTK-208
Cherokee	229	84-85		TCRK-229	DTK-208
Cherokee	231	87-94	w/ BD50-8 I/S Brg	TCRK-231	DTK-231
Cherokee	231	94-On	w/ 6010N I/S Brg	TCRK-231FF	DTK-231FF
Cherokee	242	87-93	w/ BD50-8 I/S Brg	TCRK-242	DTK-242
Cherokee	242	94-On	w/ 6010N I/S Brg	TCRK-242BB	DTK-242BB
Comanche	207	84-86		TCRK-207	DTK-207
Comanche	228	86		TCRK-229	DTK-208
Comanche	231	87-92		TCRK-231	DTK-231
Comanche	242	87-92		TCRK-242	DTK-242
Liberty	242	02-On		TCRK-242CC	DTK-242CC

Transfer Case Rebuild Kit Applications

Vehicle	Model #	Years	Notes	Bearing, Seal & Gasket Kit	Seal & Gasket Kit
Jeep CONTINUED					
Grand Cherokee	242	93	w/ BD50-8 I/S Brg	TCRK-242	DTK-242
Grand Cherokee	242	94-On	w/ 6010N I/S Brg	TCRK-242BB	DTK-242BB
Grand Cherokee	247	99-On		TCRK-247	DTK-247
Grand Cherokee	249	93-94	w/ BD50-8 I/S Brg	TCRK-249J	DTK-249
Grand Cherokee	249	94-98	w/ 6010N I/S Brg	TCRK-249JA	DTK-249
SJ (Full Size Truck)	Dana 18	61-65		TCRK-18	DTK-18
SJ (Full Size Truck)	Dana 20	62-73		TCRK-20	DTK-20J
SJ (Full Size Truck)	Dana 20	74-79		TCRK-20A	DTK-20J
SJ (Full Size Truck)	1305	73-79	Quadra-Trac	TCRK-1305	DTK-1305
SJ (Full Size Truck)	1339	73-79	Quadra-Trac	TCRK-1305	DTK-1305
SJ (Full Size Truck)	119	80-83		TCRK-229	DTK-208
SJ (Full Size Truck)	208	81-91	Includes Small Parts Kit	TCRK-208SPK	DTK-208
SJ (Full Size Truck)	218	88-91		TCRK-218A	DTK-218
SJ (Full Size Truck)	219	80-84		TCRK-229	DTK-208
SJ (Full Size Truck)	228	86		TCRK-229	DTK-208
SJ (Full Size Truck)	229	82-91		TCRK-229	DTK-208
Wagoneer	207	84-86		TCRK-207	DTK-207
Wagoneer	228	86		TCRK-229	DTK-208
Wagoneer	229	84-85		TCRK-229	DTK-208
Wagoneer	231	87-90		TCRK-231	DTK-231
Wagoneer	242	87-90		TCRK-242	DTK-242
Wrangler	231	87-94	w/ BD50-8 I/S Brg	TCRK-231	DTK-231
Wrangler	231	94-On	w/ 6010N I/S Brg	TCRK-231FF	DTK-231FF
Wrangler	242	87-93	w/ BD50-8 I/S Brg	TCRK-242	DTK-242
Wrangler	242	94-On	w/ 6010N I/S Brg	TCRK-242BB	DTK-242BB
KIA					
Sportage		95-On		TCRK-FK100	DTK-FK100
Lexus					
	LEXTR	96-On		TCRK-FT500	DTK-FT500
Mazda					
Truck		86-On		TCRK-FMZ220	DTK-FMZ220
MPV Van		91-On		TCRK-FMZ230	DTK-FMZ230
Mitsubishi					
Truck	KM100	80-On		TCRK-FM230	DTK-FM230
Montero	KM120	10/91-On		TCRK-FM220	DTK-FM220
Nissan					
Truck	T100L	81-86	Remote Transfer Case	TCRK-FN180	DTK-FN180
Truck	TX10	86-On	Direct Mount Transfer Case	TCRK-FN240	DTK-FN240
Truck	TY10	86-On		TCRK-FN460	DTK-FN460
Truck	TY10A	85-On		TCRK-FN430	DTK-FN430
Truck	TY10B	89-On		TCRK-FN500	DTK-FN500

Transfer Case Rebuild Kit Applications

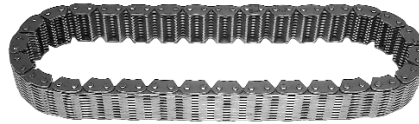
Light Duty Transfer Case Index

Vehicle	Model #	Years	Notes	Bearing, Seal & Gasket Kit	Seal & Gasket Kit
Range Rover					
	BW1361	89-95		TCRK-1361	DTK-1361
Suzuki					
Sidekick	G130	87-On		TCRK-FS140	DTK-FS140
Samurai	TS45	85-90	Remote Transfer Case	TCRK-FS120	DTK-FS120
Toyota					
Landcruiser	LC10	69-75		TCRK-FT490	DTK-FT490
Landcruiser	LC12	73-7/80		TCRK-FT360	DTK-FT360
Landcruiser	LC14	8/80-87		TCRK-FT240	DTK-FT240
Landcruiser	LC16	87-1/90		TCRK-FT400	DTK-FT400
Landcruiser	LC18	90-On		TCRK-FT500	DTK-FT500
Truck	R100	86-On	Chain Driven, Manual T/M Only	TCRK-FT390	DTK-FT390
Celica	S100	89-On		TCRK-FT740	DTK-FT740
Camry	S110	10/87-On		TCRK-FT740	DTK-FT740
Camry	S120	10/87-On		TCRK-FT750	DTK-FT750
Corolla	S125	2/88-On		TCRK-FT750	DTK-FT750
Van	T100	90-On	Chain Driven, Manual T/M Only	TCRK-FT770	DTK-FT770
Truck	W100	78-86	Gear Driven, Manual T/M Only	TCRK-FT260	DTK-FT260

Light Duty Transmission Rebuild Kit Applications

Part No.	Industry Part No.	Application	Years
SPK-4C	SP1104-50C	Warner T4 GM Truck Only	1982-1988
SPK-5	SP1105-50	Warner T4 & T5	1982-1985
SPK-5W	SP1105-50A	Warner T5 World Class	1985-0n
SPK-10	SP10-50	Warner T10	1957-1966
SPK-10W	SP10W-50	Warner Super T10	1974-1982
SPK-14	SP14-50	Warner T14	1967-1975
SPK-15	SP15-50	Warner T15	1967-1979
SPK-18	SP18-50	Warner T18	1965-
SPK-19	SP19-50	Warner T19	1968-
SPK-27	SP277-50	New Process 540, 541	1966-1969
SPK-29	SP310-50	New Process 542	1970-1984
SPK-127	SP291-50	New Process 435, 436	1963-
SPK-150F	SP287-50	Tremec RAB, RAN, RAT	1965-1982
SPK-150J	SP150-50B	Tremec T150 Jeep	1975-1980
SPK-170	SP170-50	Warner T170	1978-1985
SPK-170A	SP296-50	Ford 3 Speed HEH	1964-1973
SPK-205	SP205-50	New Process 205	1983-1987
SPK-208	SP208-50	New Process 208	1980-1986
SPK-231	SP231-50	New Process 231 & 241	1988-0n
SPK-235	SP3500-50A	NVG3500, 5LM60, HM290	1988-1996
SPK-259	SP259-50B	Ford 3 Speed 259	1951-1962
SPK-280	SP280-50	Ford 3 Speed HED	1960-1967
SPK-285	SP305-50	Clark 280V, 282V, 285V	1968-1982
SPK-297	SP297-50	Muncie 4 Speed M22, Small Bore	1963-1965
SPK-297A	SP297-50A	Muncie 4 Speed M22, Large Bore	1966-1974
SPK-301	SP301-50	Saginaw SM326	1966-1985
SPK-318/319	SP266-50B	Muncie 318/319	1955-1968
SPK-318/319A	SP242-50B	Muncie 318/319	1940-1954
SPK-833	SP294-50	New Process 833	1975-1980
SPK-4500	SP4500-50	NVG 4500 Dodge & GM	1992-
SPK-AX5	SPAX5-50	Aisan Warner AX5, G52 Toyota	1985-
SPK-BW90	SP90A-50	Warner T90A, T90B	1946-1971
SPK-M465	SP304-50	Muncie CH465, SM465, M20	1968-1982

Cloyes Transfer Case Chain Ads



Transfer Case

New Process / New Venture Gear

Model #	Vehicle	Comments	Part #	Tooth Pitch	Number of Pitches	Chain Width
119	Jeep	80-88	HV10-015	3/8"	98	1 3/4"
129	Jeep	80-88	HV10-015	3/8"	98	1 3/4"
203	Chrysler/Ford/GM	73-78	HV10-005	3/8"	98	2 1/2"
203	Chrysler/Ford/GM	78-79	HV10-009	1/2"	72	2"
207	Chrysler	84-88	HV10-022	1/2"	62	1 1/4"
208	Jeep	80-88	HV10-014	1/2"	72	1 1/4"
208	Jeep	80-88	HV10-025	1/2"	72	1 1/4"
208	Ford	80-88	HV10-012	1/2"	84	1 1/4"
218	AM General Hummer	86-99	HV10-026	1/2"	72	1 1/2"
219	Jeep	80-90	HV10-015	3/8"	98	1 3/4"
228	Jeep	80-90	HV10-015	3/8"	98	1 3/4"
229	Jeep	80-90	HV10-015	3/8"	98	1 3/4"
231A	Jeep	89-On	HV10-027	1/2"	62	1"
231C	GM	89-On w/2.8L	HV10-027	1/2"	62	1"
231C	GM	89-98 w/4.3L	HV10-022	1/2"	62	1 1/4"
231D	Chrysler	89-On	HV10-027	1/2"	62	1"
231HD	GM	S10, S15	HV10-022	1/2"	62	1 1/4"
233C	GM	89-On w/2.8L	HV10-027	1/2"	62	1"
233C	GM	89-98 w/4.3L	HV10-022	1/2"	62	1 1/4"
233 Electric	Jeep	95-On	HV10-027	1/2"	62	1"
233HD	GM	S10, S15	HV10-022	1/2"	62	1 1/4"
241C	Chrysler/GM		HV10-025	1/2"	72	1 1/4"
241HD	Chrysler	90-99	HV10-031	1/2"	72	1 1/2"
242	Jeep	89-00	HV10-028	1/2"	72	1"
243C	Chrysler/GM		HV10-025	1/2"	72	1 1/4"
244	Jeep	89-00	HV10-028	1/2"	72	1"

Borg Warner

Model #	Vehicle	Comments	Part #	Tooth Pitch	Number of Pitches	Chain Width
1305	Jeep		HV10-007	3/8"	96	2 1/2"
1345	Jeep		HV10-007X	3/8"	92	2 1/2"
1345	Ford		HV10-013	1/2"	86	1 1/2"
1350	Ford/Chrysler		HV10-022	1/2"	62	1 1/4"
1354	Ford		HV10-022	1/2"	62	1 1/4"
1356	Ford		HV10-012	1/2"	84	1 1/4"
1370	GM		HV10-025	1/2"	72	1 1/4"
4401	GM		HV10-025	1/2"	72	1 1/4"
4402	Hyundai		HV10-027	1/2"	62	1"
4408	Daewoo		HV10-022	1/2"	62	1 1/4"
4470	GM		HV10-031	1/2"	72	1 1/2"
4472	GM	2 Blue Links	HV10-032	3/8"	86	1 3/4"
4472	GM	1 Blue Link	HV10-033	3/8"	86	1 3/4"

Cloyes Transfer Case & Transmission Chains

Cloyes Transfer Case Chain Ads



Other Applications

Model #	Vehicle	Comments	Part #	Tooth Pitch	Number of Pitches	Chain Width
Dana28	Ford Aerostar		HV10-048	3/8"	86	1 1/4"
Dodge Ram 50	Ram 50	80-On	HV10-104	3/8"	82	1 3/4"
Geo Tracker	Tracker	88-On	HV10-110	3/8"	68	1"
Isuzu	Trooper	84-On	HV10-102	1/2"	62	1 1/4"
Mazda	Van & Pickup	84-On	HV10-105	3/8"	80	1 3/4"
Mitsubishi	Montero	80-On	HV10-104	3/8"	82	1 3/4"
Nissan	Pathfinder & Pickup	85-On	HV10-106	3/8"	88	1 3/4"
Toyota	4-Runner & Pickup	84-86	HV10-102	1/2"	62	1 1/4"
Toyota	Van	85-On	HV10-103	1/2"	62	1"

Transmission Chains

Ford

Model #	Vehicle	Comments	Part #	Tooth Pitch	Number of Pitches	Chain Width
AXOD/ACODE			HV10-021	3/8"	86	3/4"
AXOD/ACODE			HV10-029	3/8"	86	7/8"
AX4S-SHO/AX4N	Windstar		HV10-041	3/8"	88	3/4"

GMC

Model #	Vehicle	Comments	Part #	Tooth Pitch	Number of Pitches	Chain Width
125/125C			HV10-019	3/8"	84	3/4"
125C			HV10-018	3/8"	84	7/8"
325			HV10-010	3/8"	110	1 3/4"
325-4L			HV10-016	3/8"	102	1 1/4"
4T60/4T60E			HV10-018	3/8"	84	7/8"

Visit our web site at:
www.dtcomponents.com
for product and catalog updates.



Morse® Hy-Vo® Chain*

2007 Morse® Application Guide Automatic Transmission and Transfer Case Chains



Full Product Line Offering

Gemini® Systems

Over 120 years of Drivetrain Chain Manufacturing and Engineering

Advanced Technology – Rocker Joint, Round Pin,

ET Guide, ZX Link Design


Patented Randomization Patterns

OEM Quality

Engineering Support

Availability

Drivetrain Leadership

*Morse®, Hy-Vo®, BorgWarner and  are registered trademarks of BorgWarner Inc.
© Copyright 2007 BW
All Rights Reserved

Morse Transfer Case Chains

Table of Contents

Link and Pin Nomenclature 256

Chain Components 257

Chain Quality Parameters 257

Chain Operating & Measurement Terms 257

Why Morse® Hy-Vo® Chain?

 Design Features and Benefits 258

 Quality Features and Benefits 258

 Important Rebuilding Notes 258

Application Listings for Morse Hy-Vo Chain (Automatic Transmission Chains)

 GM 259

 GM Racing Applications/Special Order 260

 Ford 261

 DaimlerChrysler 262

 Imports 262

Transfer Case Chains by Transfer Case Model to Corresponding OEM

 New Process/New Venture Gear 263

 Magna Steyr 264

 BorgWarner Torque Transfer Systems 265

 Other Applications: 100 Series Are Manufactured by Morse TEC, Japan 267

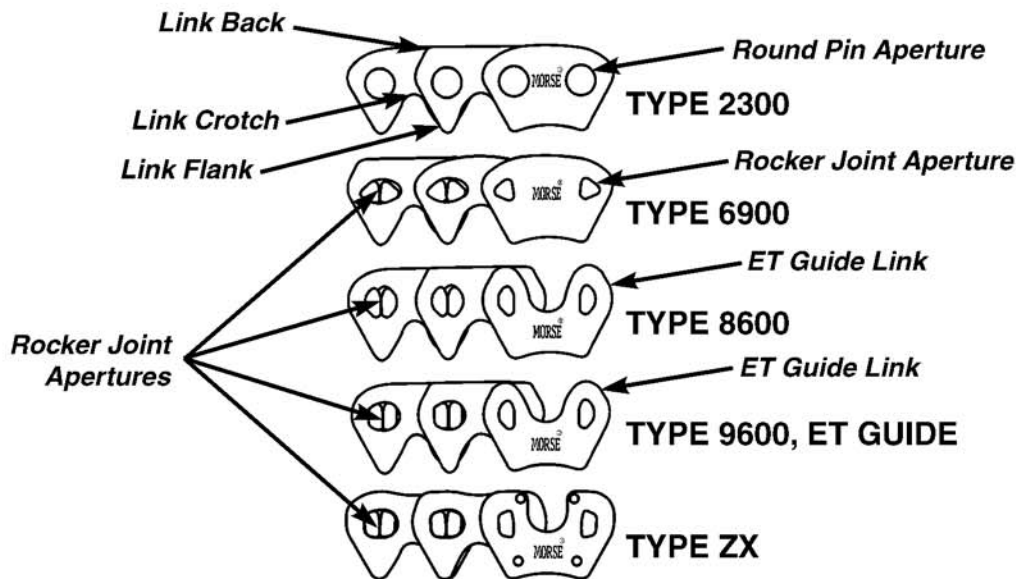
Interchange 268

Troubleshooting Guide for Transmission and Transfer Case Hy-Vo Chain and Sprockets ... 270

Features and Benefits in Chain Design — Spanish 271

BorgWarner TTS Transfer Case Photo Gallery 272

Link and Pin Nomenclature



NOTE: A round pin chain can be rolled into a ball. A rocker pin chain cannot be. Each type requires certain sprockets and should not be interchanged. ET guide (elastically tuned) type guide links began in 1995 on certain applications. ET guide links more evenly distribute load for better wear characteristics.

Chain Components

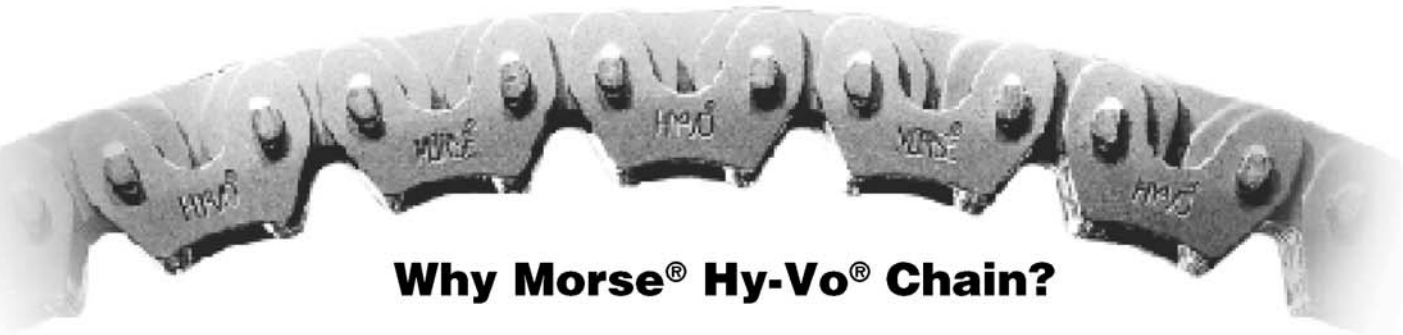
- **Link Apertures:** Holes in Links either round or Rocker Joint shaped to match the connecting Pins. This is the area of articulation in the chain.
- **Guide Link:** Link plate positioned on the outside of the chain. This pilots the chain on the sprocket.
- **Link Flank:** Lower portion of link which engages the sprocket teeth.
- **Link Crotch:** Space between link flanks which clear the sprocket tooth tip.
- **Link Back:** The outside curvature of the Link design to provide strength and operating smoothness. Some are designed flat rather than curved.
- **Round Pin:** Singular round pin used to articulate the chain.
- **Rocker Joint Pin:** Two pins are utilized to articulate the chain.
- **Rocker Pin Styles:**
 - **Type 6900** two triangular pins that rock in the aperture
 - **Type 8600** two ovular-shaped pins that rock in the aperture (Some may be ET Guide.)
 - **Type 9600** two ovular-shaped pins that rock in the aperture. The guide link is an ET design riveted link.
 - **Type ZX** two ovular-shaped pins that rock in the aperture. The guide link is an ET design riveted link. Enhanced link closure design.

Chain Quality Parameters

- **Tensile Strength:** The ability of the chain to endure under the loads that are applied during sprocket engagement and operation. It is measured as the ultimate strength of the chain which is the load at which it would break or fail. There are centrifugal forces created during operation. The steel quality of the links and pins and the chain design are important in contributing to a high tensile strength.
- **Fatigue Strength:** The ability of the chain to endure the loads and operating conditions repeatedly over time.
- **Wear Rating:** The amount of wear that occurs during operation.

Chain Operating & Measurement Terms

- **Pitch:** Effective length between the centerpoints of the apertures, which are the points of joint articulation.
- **Width:** The approximate dimension between the inside and outside guide links.
- **Random Chain:** Certain patterns are interlaced in a random link pattern utilizing two different link styles in rows across the chain.
- **Chordal Action:** Radial or transverse motion of the chain strand resulting from sprocket engagement. Sound is created from this engagement.
- **Decibel Measurements:** The measurement of the total sound coming from the system in operation.
- **Chain Description:** Nominal measurements for a chain:
 - Example: 3/8P x 1-1/4 W x 72P
 - 3/8 pitch by 1-1/4 approximate width by 72 total pitches
 - 72 pitches would be 36 total guide plates per side



Why Morse® Hy-Vo® Chain?

Design Features and Benefits

Application Specific Design Styles: Morse offers a full line of applications which include round pin, three styles of rocker joint pin chain, ET guide links, and the new patented Morse Gemini® system. Each of these are specified by application based upon loads, operating conditions, and operating space. (Substituting design styles is not recommended since sprocket engagement would be affected.)

ET Guide Links: A patented guide link design which offers more even load distribution during operation. Chain designs will be upgraded based upon OE service conversions.

Chain Randomization: This is a patented design utilizing two different link styles to break up frequencies created from sprocket engagement. Patterns are selected at the time of OE design to minimize noise and vibration levels and to optimize operating strengths for each application.

Quality Features and Benefits

Quality and OEM Certification: In addition to having QS 9000 Certification, Morse Hy-Vo Products utilize only the finest grades of steel for the links and pins. This means no inclusions or dirt in the steel itself. This contributes to the highest Tensile, Fatigue, and Wear characteristics. Proprietary Design and Manufacturing Techniques also create the highest quality chain in the aftermarket.

Important Rebuilding Notes

Chain Elongation: Even though Morse Hy-Vo Products are built to last, when the rebuilder has the unit down, the sprockets and chain should be checked thoroughly.

Remember that it is very difficult for the aftermarket customer to measure chain elongation. One reason for this is shaft movement when the unit is apart. In certain cases, when the shafts are fixed with the cover off, an experienced field estimate may be acceptable.

Morse has special equipment to measure elongation parameters. In addition, each application could be different depending upon the application parameters.

The accuracy rate or error rate is 50% without using the right equipment to measure elongation of a chain. Every application has its own variations and the manufacturer's recommended specifications for chain tolerances should be referenced.

**If the chain has been in service for over 60,000 miles,
if the unit is torn down, or if the unit shows
signs of problems, neglect, or abuse – replace the chain.**

Application Listings for Morse Hy-Vo Chain

Automatic Transmission Chains

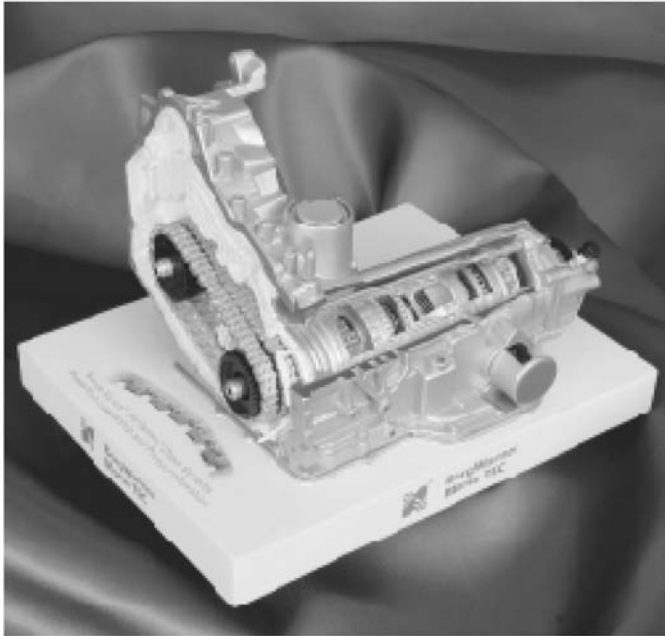
Transmission	Description	Year	Morse Part Number
General Motors			
125/125C	3/8 Pitch x 3/4 Wide x 84 Pitches, Round Pin Type	80-83	HV-019
125C	3/8 Pitch x 7/8 Wide x 84 Pitches, Round Pin Type	80-Up	HV-018
325	3/8 Pitch x 1-3/4 Wide x 110 Pitches, Rocker Joint Type	79-81	HV-010
325-4L	3/8 Pitch x 1-1/4 Wide x 102 Pitches, Rocker Joint Type	82-85	HV-016
425	3/8 Pitch x 2 Wide x 124 Pitches, Rocker Joint Type	66-78	HV-001
4T40E (4 Cylinder)	3/8 Pitch x 3/4 Wide x 84 Pitches, Rocker Joint Type	95-03	HV-039
4T40E (4 Cylinder)	3/8 Pitch x 5/8 Wide x 84 Pitches, Rocker Joint Type – New ZX Design	11/03-Up	HV-079
4T45E (6 Cylinder)	3/8 Pitch x 7/8 Wide x 84 Pitches, Rocker Joint Type, ET guide	99-2/04, 7/04-Up	HV-058
4T45E (6 Cylinder)	3/8 Pitch x 5/8 Wide x 84 Pitches, Rocker Joint Type – New ZX Design	3/04-6/04	HV-079
4T45E (6 Cylinder)			
4T45E Saturn LS	3/8 Pitch x 7/8 Wide x 84 Pitches, Rocker Joint Type, ET Guide	99-6/04	HV-058
4T60/4T60E	3/8 Pitch x 7/8 Wide x 84 Pitches, Round Pin Type	83-93	HV-018
4T60E	3/8 Pitch x 7/8 Wide x 84 Pitches, Rocker Joint Type, ET Guide (Previously HV035)	94-99	HV-058
4T60E (Riviera)	3/8 Pitch x 7/8 Wide x 84 Pitches, Rocker Joint Type (Previously HV036 with a Special Lacing Pattern for Riviera only – The HV058 accommodates this)	95-99	HV-058
4T60 Allante Only	1990 Cadillac GM # 8661010 is not available. Discontinued.	90	
4T65 Gemini Design (Excludes 05 V8)	3/8 Pitch x 1/2 Wide x 84 Pitch – Two per Application, One Blue Guide Link	97-Up	HV-065
4T65E Gemini Design S (V8 and retro HV-065)	3/8 Pitch x 1/2 Wide x 84 Pitch – S Design, Two per Application, Two Blue Guide Links	05-Up	HV-093 can replace HV-065
4T65 Gemini Kit	With 33 Drive & 37 Driven Sprockets – Kit Sprockets and Gemini Chains (Volvo)	97-Up	TK001*
4T65 Gemini Kit	With 35 Drive & 35 Driven Sprockets – Kit Sprockets and Gemini Chains	97-Up	TK002*
4T65 Gemini Kit	With 37 Drive & 33 Driven Sprockets – Kit Sprockets and Gemini Chains (3.8L, L67 Grand Prix)	97-Up	TK003*
4T80E	.436 Pitch x 1 Wide x 84 Pitches, Rocker Joint Type	93-Up	HV-038

Morse Gemini® Chain System

*Use with new thrust washers from GM #24213762, Volvo #24213761 and reluctor wheel #24212217.



Morse Gemini® systems are a set of 2 chains which run on phased sprockets. This patented design significantly reduces the overall NVH (noise) in the system.

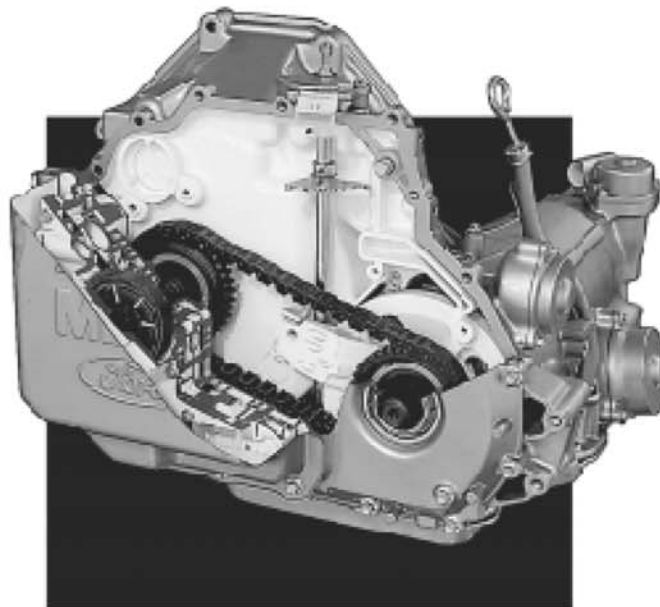


**Morse TEC
Limited Edition
GM 4T65E Replica
Part Number 5002116
Watch for Promotions
During the year!**

Transmission	Description	Year	Morse Part Number
GM Racing Applications/Special Order			
4T65E Racing	Spring Link, .4375 Pitch x 1 Wide x 72 Pitches Made in Japan in prototype lab, Special Application 201 HV 3504-72 MTS.		5005 747 HV-121

Transmission	Description	Year	Morse Part Number
Ford			
AXOD/AXODE	3/8 Pitch x 3/4 Wide x 86 Pitches, Round Pin Type (one copper guide link)	86-7/03	HV-021
AXOD	3/8 Pitch x 7/8 Wide x 86 Pitches, Round Pin Type (one green guide link)	86-88	HV-029
AX4S-SHO/AX4N	3/8 Pitch x 3/4 Wide x 86 Pitches, Rocker Joint Type 9600 Series, ET Guide (three copper guide links)	93-03	HV-040, (Can Use HV-075)
AX4N With 2.5, 3.0 Liter Vulcan and Duratec Engines	3/8 Pitch x 3/4 Wide x 86 Pitches, Rocker Joint 8600 Series (2 blue links side by side)	04-Up	HV-075
AX4N 4.6L 4V, 4.2L	3/8 Pitch x 7/8 Wide x 88 Pitches, Rocker Joint Type 9600 or 8600 Series (one blue guide link) 2004 change to 8600 Series from 9600 (Both will work)	95-Up	HV-042
AX4S (Windstar) (Freestar AX4N)	3/8 Pitch x 3/4 Wide x 88 Pitches, Round Pin Type (two copper guide links)	96-11/04	HV-041
4F50N With 3.9 Liter Engine	3/8 Pitch x 3/4 Wide x 88 Pitches, Rocker Joint 8600 Series (two copper guide links)	05-Up	HV-092
CD4E (Contour/Mondeo 2.0L)	.4346 Pitch x 3/4 Wide x 90 Pitches, Rocker Joint Type, ET Guide (one copper guide link)	94-02	HV-043
CD4E (Mystique/Cougar 2.0L)	.4346 Pitch x 3/4 Wide x 90 Pitches, Rocker Joint Type, ET Guide (one copper guide link)	98-02	HV-043
CD4E (2.5L/3.0L V6)	.4346 Pitch x 1 Wide x 92 Pitches, Rocker Joint Type 8600, ET Guide (two copper guides separated by two silver guide links)	94-Up	HV-044
CD4E (1.8L/2.0L I4) Mazda	.4346 Pitch x 3/4 Wide x 92 Pitches, Rocker Joint Type, ET Guide (two copper guide links next to each other)	94-04 (2.5L 2000-04)	HV-045

AXOD



Note: CD4E ET Guide Upgrade:

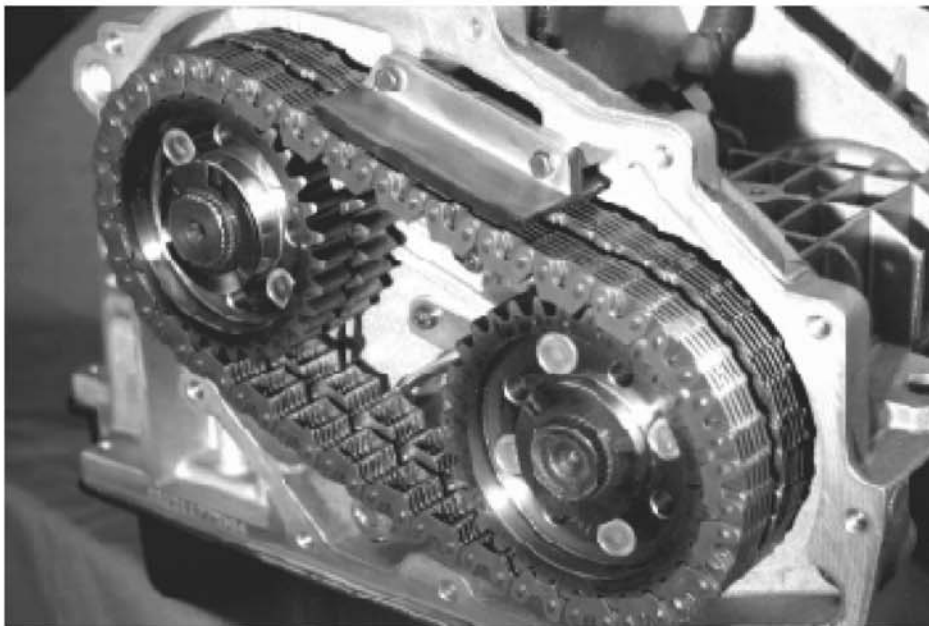
HV043 Used with the 2.0 Liter Engine, F3RZ7G249A, F6RZ7G249AA

HV044 Used with the 2.5 and 3.0 Liter Engines through 99, F5RZ7G249C, F6RZ7G249CA

HV045 Used with 2.0 Liter Probe, the later 2000 Model Yr 2.5L are 3/4 Wide, F5RZ7G249B, F6RZ7G249BA

The latest CD4E chains use the ET Guide Technology for better wear characteristics and load distribution. The earlier non ET Guide chains should be replaced with the newer chains when the unit is down.

Transmission	Description	Year	Morse Part Number
DaimlerChrysler			
A606	One Chain – 1-3/4 Wide x 62 Pitches, Rocker Joint Type – 4539777 Discontinued, convert to TK004 and update sprockets	93-94	TK004
A606	Two Chain – (Gemini® Design) 3/4 Wide x 62 Pitches, Rocker Joint Type, ET Guide – 4659190	95-03	HV-047
A606 Gemini Kit	Chain/Sprocket/Snubber Package (to update) 93-94 (Except Prowler Application)	93-03	TK004
A606	Sprocket - 32 Teeth - 4659232 Drive (3.2L and 3.5L Engines)	95-03	HS001
A606	Sprocket - 33 Teeth - 4659233 Driven (3.2L and 3.5L Engines)	95-03	HS002
A606 Prowler	Sprocket - 31 Teeth - 4659831 Drive (2.7L and 3.5L Prowler Engines)	97-03	HS009
A606 Prowler	Sprocket - 34 Teeth - 4659834 Drive (2.7L and 3.5L Prowler Engines)	97-03	HS010
A606 Prowler Kit	Chain/Sprocket/Snubber Package (31 Drive, 34 Driven Sprockets)	97-03	TK005
A606	Snubber - 4659187	all	HVS-047

42LE Morse Gemini® A606

Imports

Saab T37 (Special Order)	Non-Turbo - 3/8 Pitch x 1 Wide x 76 Pitches, Rocker Joint Type	72-78	HV-003
Saab T37 (Special Order)	Turbo - 3/8 Pitch x 1 Wide x 76 Pitches, Rocker Joint Type	79-Up	HV-023
Tercel A55	3/8 Pitch x 3/4 Wide x 62 Pitches, FWD 4WD	79-86	HV-101
Volvo XE90 PTU	.4346 x 1-1/4 Wide x 62 Pitches, Rocker Joint Type	04-Up	HV-094

Transfer Case Chains by Transfer Case Model to Corresponding OEM

NEW PROCESS/NEW VENTURE GEAR

Case Model	OEM Mfg	Notes	Morse Part Number	Nominal Chain Dimensions
119	Chrysler Jeep	80-88 Jeep	HV-015	3/8 Pitch x 1-3/4 W x 98 Pitches - RJ
120	GM	GMT360, Trailblazer SS, Special Lacing Pattern	HV-512	.375 Pitch x 1-1/4 W x 86 Pitches - RJ
125 / 140 WK	Ford & Jeep	Ford Australia, Full Time, Jeep Grand Cherokee 2005	HV-059	.375 Pitch x 1-1/4 W x 86 Pitches - RJ
129	Chrysler Jeep	80-88 Jeep	HV-015	3/8 Pitch x 1-3/4 W x 98 Pitches - RJ
140	Chrysler Jeep	Single speed Grand Cherokee 2005-Up (Snubber HVS-071)	HV-089	3/8 Pitch x 1-1/4 W x 86 Pitches - RJ
144HB	Chrysler	Dodge Durango ST	HV-072	.375 Pitch x 1-1/4 W x 98 Pitches - RJ
149	GM	Full Time full size truck, Silverado SS and GMC Sierra Denali	HV-072	.375 Pitch x 1-1/4 W x 98 Pitches - RJ
203	Chrys/Ford/GM	73-78	HV-005	3/8 Pitch x 2-1/2 W x 98 Pitches - RJ
203	Chrys/Ford/GM	78-79	HV-009	.5033 Pitch x 2 W x 72 Pitches - RJ
207	Chrysler	84-88 Jeep	HV-022	.5033 Pitch x 1-1/4 W x 62 Pitches - RP
208	Chrysler Jeep	80-88 Jeep	HV-014 (RJ)/ HV-025 (RP)	.5033 Pitch x 1-1/4 W x 72 Pitches
208	Ford	80-88	HV-012	.5033 Pitch x 1-1/4 W x 84 Pitches - RP
218	GM/AM General	86-99 (Hummer)	HV-026	.5033 Pitch x 1-1/2 W x 72 Pitches - RP
219	Chrysler Jeep	80-90 Jeep	HV-015	3/8 Pitch x 1-3/4 W x 98 Pitches - RJ
225	Ford	Land Rover	HV-083	3/8 Pitch x 1-3/4 W x 90 Pitches - RJ
226/126	GM	Active on Demand, GM 360, 370 Envoy and Trailbrazer	HV-059	.375 Pitch x 1-1/4 W x 86 Pitches - RJ
228, 229	Chrysler Jeep	80-90 Jeep	HV-015	3/8 Pitch x 1-3/4 W x 98 Pitches - RJ
231A	Chrysler Jeep	89-up Jeep	HV-027	.5033 Pitch x 1 W x 62 Pitches - RP
231C/233C	GM	W2.8L 89-Up	HV-027	.5033 Pitch x 1 W x 62 Pitches - RP
231C/233C	GM	W4.3L 89-98	HV-022	.5033 Pitch x 1-1/4 W x 62 Pitches - RP
231D	Chrysler	89-up Jeep	HV-027	.5033 Pitch x 1 W x 62 Pitches - RP
233 Electric	Chrysler Jeep	95-Up Jeep	HV-027	.5033 Pitch x 1 W x 62 Pitches - RP
231/233HD	GM	T Truck S10, Dodge Dakota	HV-022	.5033 Pitch x 1-1/4 W x 62 Pitches - RP
236/136	GM	98-Up Blazer, Bravada, & Astro Van	HV-062	3/8 Pitch x 1 W x 98 Pitches - RJ
235	VW Porsche	VW and Porsche SUV	HV-082	3/8 Pitch x 1.5 W x 98 Pitches - RJ
241	Jeep	Part Time Jeep Rubicon	HV-081	.4346 Pitch x 1-1/4 W x 84 Pitches - RJ
241C/243C	Chrysler/GM	GM 89-98, 243 Electric Shift, Dodge Full 93-98	HV-025	.5033 Pitch x 1-1/4 W x 72 Pitches - RP
241G2	Dodge	Part time electric Shift, Ram 1500 Standard 2002 - May 2004	HV081	.4346 Pitch x 1-1/4 W x 84 Pitches - RJ
241G2 + Off Road	Dodge	Part time electric Shift, Ram 1500 Standard, June 2004 and up	HV-072	.375 Pitch x 1-1/4 W x 98 Pitches - RJ
241HD	Chrysler	Dodge 90-99	HV-031	.5033 Pitch x 1-1/2 W x 72 Pitches - RP
242/244	Chrysler Jeep	89-2000 Jeep	HV-028	.5033 Pitch x 1 W x 72 Pitches - RP
242 / 242 WJ	Chrysler	Durango, Dakota and Jeep with 5.2L and 5.9L Engines 98-04	HV-063	3/8 Pitch x 1-1/4 W x 98 Pitches - RJ

NEW PROCESS/NEW VENTURE GEAR

Case Model	OEM Mfg	Notes	Morse Part Number	Nominal Chain Dimensions
242KJ	Jeep	Jeep Liberty Select Trac 02-Up	HV-062	3/8 Pitch x 1 W x 98 Pitches - RJ
242ECE	Chrysler Jeep	Jeep Europe XJ & ZJ	HV-061	.5033 Pitch x 1 W x 72 Pitches - RJ
242H	GM/AM General	AMG Hummer H1	HV-060	.5033 Pitch x 1-1/4 W x 72 Pitches - RP
243G2	Dodge	Part time electric Shift Ram 1500, 2002 - May 2004	HV-081	.4346 Pitch x 1-1/4 W x 84 Pitches - RJ
243G2	Dodge	Part time electric Shift, Ram 1500 Optional All 4WD June 2004 and up	HV-072	.375 Pitch x 1-1/4 W x 98 Pitches - RJ
244DR (Heavy Duty)	Dodge	2004 Dod Dakota w/4.7L and 5.9L on Quad Cab	HV-072	.375 Pitch x 1-1/4 W x 98 Pitches - RJ
244HB	Dodge	Dodge Durango Gemini System, 2004 and up	TK006	Two Sprockets (HS014) and Two Chains (HV084)
244HB	Dodge	Chains (2)	HV-084	.375 Pitch x .625 W x 98 Pitches - RJ
245	Jeep	2-Speed Low Range Grand Cherokee 2005-Up (Snubber HVS-071)	HV-090	3/8 Pitch x 1-1/4 W x 86 Pitches - ZX Design
246	GM	99 SUV Only, One Blue Guide Link	HV-063	3/8 Pitch x 1-1/4 W x 98 Pitches - RJ
246	GM	99-Up GMT 800, 2000-Up Full Size SUV (3 Blue Guide Links)	HV-072	3/8 Pitch x 1-1/4 W x 98 Pitches - RJ
247	Chrysler Jeep	99 Jeep Grd Cherokee	HV-071	3/8 Pitch x 1 W x 98 Pitches - RJ
			HVS-071 Snubber	5-1/2 Long x 1.125 W x 3/4 High (2 holes)
249	Chrysler Jeep	92-98 Jeep	HV-034	3/8 Pitch x 1-1/4 W x 98 Pitches - RJ
261/263	GM Full Time	GMT 800 (3 Blue Guide Links) 99+	HV-072	3/8 Pitch x 1-1/4 W x 98 Pitches - RJ
261HD/263HD	GM Part Time	GMT 800 Full Size K Truck	HV-069	3/8 Pitch x 1-1/2 W x 98 Pitches - RJ
261SHD/263 SHD/HD2	Chrysler D/C	2001-Current	HV-074	.4346 Pitch x 1-1/2 W x 84 Pitches - RP
271/273 Electric Shift	Ford	98-Up F250/350/450/550 (03 Dodge)	HV-064	.4346 Pitch x 1-1/2 W x 98 Pitches - RP
276	Land Rover	Land Rover 6x6 Third Axle	HV-506	.5033 Pitch x 1-3/4 W x 40 Pitches - RP

RJ = Rocker Joint RP = Round Pin

MAGNA STEYR

Transfer Case Application	Description	Year	Morse Part Number
BMW — Snubber used with ATC 400, ATC 500	Short Snubber Design	03-Up	HVS-072
BMW X3 — Single Speed Case with TOD (ATC 400)	.375 Pitch x 1-1/4 W x 80 Pitches - RJ	03-Up	HV-086
BMW X5 — Single Speed with TOD (ATC 500)	.375 Pitch x 1-1/4 W x 86 Pitches - RJ Special Lacing Pattern, 2 Blue Links	03-Up	HV-087
BMW X5 — Single Speed Case with TOD (LWX500)	.375 Pitch x 1-1/4 W x 86 Pitches - RJ, One Blue Link	01-02	HV-088/ HV-059
GM — NP8, NP1 & NP2 (LD)	.4346 Pitch x 1-1/4 W x 84 Pitches - RJ	2008-UP	HV-501
GM — NP8, NP1 & NP2 (HD)	.4346 Pitch x 1-1/2 W x 84 Pitches - RJ	2008-UP	HV-502
GM — NP1 & NP2 (SHD)	.4346 Pitch x 1-1/2 W x 84 Pitches - RP	2008-UP	HV-074
Land Rover — 2-Speed Case with Locking Center Differential	.375 Pitch x 1-3/4 W x 84 Pitches - RJ	04-Up	HV-085
Mercedes M	.375 Pitch x 1-1/2 W x 84 Pitches - RJ	03-Up	HV-091
Mercedes M — Dual Clutch 2-Speed	.375 Pitch x 1-3/4 W x 84 Pitches - RJ	2005-Up	HV-098

BORG WARNER TORQUE TRANSFER SYSTEMS

Case Model	OEM Mfg	Notes	Morse Part Number	Nominal Chain Dimensions
1305	Chrysler Jeep	73-79 Jeep	HV-007	3/8 Pitch x 2-1/2 W x 96 Pitches - RJ
1345	Chrysler Jeep	CJ7 w/Auto Overdrive	HV-007X	3/8 Pitch x 2-1/2 W x 92 Pitches - RJ
1345	Ford	Fd 80-82, 150, 250, 350	HV-013	.5033 Pitch x 1-1/2 W x 86 Pitches - RJ
1350	Ford, Chrysler	Fd 80-83, Jeep 84-88	HV-022	.5033 Pitch x 1-1/4 W x 62 Pitches - RP
1354 ES Part Time	Ford	2005-UP Sport Trac, Explorer Sport	HV-505	.5033 Pitch x 1 W x 62 Pitches - RP
1354	Ford	Fd 90-Up	HV-022	.5033 Pitch x 1-1/4 W x 62 Pitches - RP
1354	Ford	2000 Sport Trac, Explorer Sport	HV-068	.5033 Pitch x 1 1/4 W x 62 Pitches - RP
1356	Ford	Fd 80-96 F Series/Bronco	HV-012	.5033 Pitch x 1-1/4 W x 84 Pitches - RP
1361	Range Rover	Range Rover 88-96	HV-049	.5033 Pitch x 2 W x 74 Pitches - RJ Spring Lk
1370	GM	80-Up Full Size Truck	HV-025	.5033 Pitch x 1-1/4 W x 72 Pitches - RP
1372*	GM	90-95 L Van All WD with Straight Pitch	HV-032	3/8 Pitch x 1-3/4 W x 86 Pitches - RJ Note: 2 blue links & rounded link backs
1372*	GM	90-97 S Blazer Trk/Bravada/ Cyclone/Typhoon with random pitch	HV-033	3/8 Pitch x 1-3/4 W x 86 Pitches - RJ Note: 1 blue link & combination round/ square link backs
4401	GM	GMC 3500	HV-025	.5033 Pitch x 1-1/4 W x 72 Pitches - RP Block Lace
4402	Hyundai	A1 Van, Galloper	HV-027	.5033 Pitch x 1 W x 62 Pitches - RP
4404	Ford	Explorer/ Mountaineer to 97	HV-051	.4346 Pitch x 1-1/4 W x 74 Pitches - RJ Note: 1 blue link
4404 w/5 Liter	Ford	Explorer/ Mountaineer with 5 Liter Engines 98-2000	HV-070	.4346 Pitch x 1-1/4 W x 74 Pitches - RJ Note: 2 blue links separated by one link
4405	Ford	Explorer to 97	HV-051	.4346 Pitch x 1-1/4 W x 74 Pitches - RJ
4405	Ford	Explorer 9/98-Up (width chg) TOD	HV-067	.4346 Pitch x 1 W x 74 Pitches - RJ
4406	Ford	F150/250 Man & Electronic Shift 96-4/98	HV-052	.4346 Pitch x 1-1/4 W x 86 Pitches - RP
4406	Ford	May 98-Up F150, F250 LD, F150 Manual Shift, Electronic Shift, Width change 5/98	HV-066	.4346 Pitch x 1 W x 86 Pitches - RP
4406 TOD	Ford	F250 96-Up, Expedition and Navigator 99+	HV-053	.4346 Pitch x 1-1/4 W x 86 Pitches - RJ
4407	Ford	F350/F250 HD	HV-054	.5033 Pitch x 1-1/2 W x 84 Pitches - RP
4408	Daewoo	Previously Sang Yang	HV-022	.5033 Pitch x 1-1/4 W x 62 Pitches - RP
4409	Mercedes	Mercedes 97-Up	HV-055	.4346 Pitch x 1-1/2 W x 70 Pitches - RJ
4410	Ford	Explorer 5.0L 2001	HV-078	.4346 Pitch x 1-1/4 W x 74 Pitches - RJ
4411	Ford	Explorer 4.0L 2001	HV-067	.4346 Pitch x 1 W x 74 Pitches - RJ
4411 TOD	Ford	2002 Aviator, Mountaineer	HV-067	.4346 Pitch x 1 W x 74 Pitches - RJ
4412 TOD	Ford	2005 Explorer/Mountaineer	HV-067	.4346 Pitch x 1 W x 74 Pitches - RJ
4414 OD	Ford	2006 Explorer/Mountaineer	HV-078	.4346 Pitch x 1-1/4 W x 74 Pitches - RJ
4416 TOD	Ford	Expedition, Navigator 2001	HV-053	.4346 Pitch x 1-1/4 W x 86 Pitches - RJ
4417 TOD	Ford	2006 Expedition/Navigator	HV-076	.4346 Pitch x 1-1/4 W x 84 Pitches - RJ
4422	Isuzu	Isuzu 95-Up	HV-056	.4346 Pitch x 1-1/4 W x 70 Pitches - RJ
4423/4421	Ssangyong	Sport utility vehicle - Ssangyong 4400143015	HV-051	.4346 Pitch x 1-1/4 W x 74 Pitches - RJ
4424 ESOF	Hyundai	Terracan, Highlander, A1, Kia BL 2001 and up	HV-027	.5033 Pitch x 1 W x 62 Pitches - RP
4424 TOD	Hyundai	Terracan, Highlander, A1, Kia BL 2001 and up	HV-070	.4346 Pitch x 1-1/4 W x 74 Pitches - RJ Note: 2 blue links separated by one link
4426 TOD	Ssangyong	2003-Up Ssangyong A100 Rodius, Y250 Rexton	HV-067	.4346 Pitch x 1 W x 74 Pitches - RJ

BORG WARNER TORQUE TRANSFER SYSTEMS

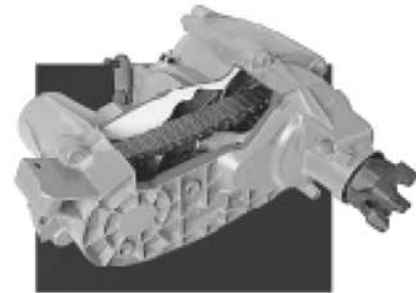
Case Model	OEM Mfg	Notes	Morse Part Number	Nominal Chain Dimensions
4426 2-Sp ESOF PT	Ssangyong	Ssangyong Y250 Rexton, C100 Actyon, Q100PU, D100 Kron	HV-027	.5033 Pitch x 1 W x 62 Pitches - RP
4427	Ssangyong	2005-Up D100, Y250, Y300	HV-070	.4346 Pitch x 1-1/4 W x 74 Pitches - RJ Note: 2 Blue links separated by one link
4430 FT 1-Sp TORSON	Audi	AU 756	HV-096	.4346 Pitch x 1-1/4 W x 80 Pitches - RJ
4454 ES/MS PT	Telco	Telco India 1999-Up	HV-022	.5033 Pitch x 1-1/4 W x 62 Pitches - RP
4462	Range Rover	Land rover 97-Up	HV-057	.5033 Pitch x 2 W x 80 Pitches - RJ
4455 ES/MS PT	Mahindra	Mahindra India	HV-022	.5033 Pitch x 1-1/4 W x 62 Pitches - RP
4470	GM	Full Size Truck 3500/K30 90-96	HV-031	.5033 Pitch x 1-1/2 W x 72 Pitches - RP
4472	GM	90-97 L Van	HV-032	3/8 Pitch x 1-3/4 W x 86 Pitches - RP Note: 2 blue links & rounded link backs straight pitch
4472	GM	90-97 S10/96 Van Safari	HV-033	3/8 Pitch x 1-3/4 W x 86 Pitches - RJ Note: 1 blue link & combination round/square link backs random pitch
4473	GM	GM 610 G Van (Silverado) 2002 and up	HV-076	.4346 Pitch x 1-1/4 W x 84 Pitches - RJ
4476	GM	Full Time	HV-076	.4346 Pitch x 1-1/4 W x 84 Pitches - RJ
4476	GM	Cadillac SRX 2003 and up	HV-080	.375 Pitch x 1-1/2 W x 74 Pitches - RJ
4477 TOD	GM	Cadillac CTS	HV-099	.375 Pitch x 1-1/4 W x 74 Pitches - RJ ZX
4479 FT 1-Sp	GM	2006 Cadillac STS 6 sp w/V8	HV-097	.375 Pitch x 1-1/2 W x 74 Pitches - RJ ZX
4476, 4479	GM	Cadillac 265, 295 2004 and up	HV-095	.375 Pitch x 1-1/2 W x 74 Pitches - RJ
4481, 4482	GM	GMT820, LD, Tahoe, Yukon, Warrior, Avalanche	HV-076	.4346 Pitch x 1-1/4 W x 84 Pitches - RJ
4484	Hummer/GM	Full Time Hummer 2	HV-077	.4346 Pitch x 1-1/2 W x 84 Pitches - RJ
4484 FT 2-Sp	GM	2007 Hummer 2	HV-502	.4346 Pitch x 1-1/2 W x 84 Pitches - RJ
4485 FT 1-Sp	GM	2007 Excalade, Tahoe, Yukon	HV-502	.4346 Pitch x 1-1/2 W x 84 Pitches - RJ
4493, 4494 FT 2-Sp	GM	2005 Hummer 3 GM 345	HV-055	.4346 Pitch x 1-1/2 W x 70 Pitches - RJ

*Important Noise Situation RJ = Rocker Joint RP = Round Pin

GM L Van All Wheel Drive Astro, Safari, and Cargo Applications with BW 1372/4472 Transfer Case - HV032 (Straight Pitch)

The HV032 and the HV033 applications should not be consolidated or substituted for each other. The HV032 is a straight pitch design, and the HV033 is a random pitch design. If the rebuilder uses the HV033 Random Patterned Chain in the L Van application, the vehicle operator may hear an unsatisfactory "moan" or "boom" noise from the vehicle's driveline during operation.

Conversely, if the HV032 straight pitch chain (all rounded back links) is used in the GM S Blazer truck, the Bravada, Cyclone, and Typhoon applications that use the BW 1372/4472 with a random chain design, the vehicle owner will hear a whistle or whining noise.



Morse TEC
Limited Edition
BorgWarner, Torque-On-Demand®
Transfer Case
Part Number 5005831
Watch for promotions during the year!

Morse Transfer Case Chains

OTHER APPLICATIONS: 100 SERIES ARE MANUFACTURED BY MORSE TEC, JAPAN
(This series is special order)

OEM Mfg	Notes	Morse Part Number	Nominal Chain Dimensions
Austin	Maxi Allegro	HV-008	3/8 Pitch x 1 W x 74 Pitches - RJ
BMW 325 I	4WD Pre 1988	HV-024	3/8 Pitch x 1-3/4 W x 68 Pitches - RJ Straight Pitch (All rounded Link Backs)
BMW 325 I	4WD 89-90	HV-024R	3/8 Pitch x 1-3/4 W x 68 Pitches - RJ Random Pitch, Rounded & Square Link Backs
Dodge Ram 50	4WD 80-Up	HV104	3/8 Pitch x 1-3/4 W x 82 Pitches - RJ
Ford Aerostar	(Dana TC28) 90-97	HV-048	3/8 Pitch x 1-1/4 W x 86 Pitches - RP
Geo Tracker	Suzuki Sidekick 88-Up	HV-110	3/8 Pitch x 1 W x 68 Pitches - RP
Isuzu Trooper	Truck 84-Up	HV-102	.5033 Pitch x 1-1/4 W x 62 Pitches - RP
Mazda	Van & Pickup 84-Up	HV-105	3/8 Pitch x 1-3/4 W x 80 Pitches - RJ
Mazda	MPV 89-Up	HV-111	7/16 Pitch x 1-1/2 W x 84 Pitches - RJ
Mitsubishi	Montero (4WD) 80-Up	HV-104	3/8 Pitch x 1-3/4 W x 82 Pitches - RJ
Mitsubishi	Forte, Montero, Montero Sports Nov 90+	HV-112*	7/16 Pitch x 1-1/2 W x 70 Pitches - RJ
Mitsubishi	Forte, Montero, Montero Sports Nov 90+	HV-113*	7/16 Pitch x 1-1/4 W x 68 Pitches - RJ
Mitsubishi	Montero, Montero Sports Jul 93+	HV-114*	7/16 Pitch x 1-3/4 W x 70 Pitches - RJ
Mitsubishi	Montero Sports 8/98+	HV-115*	3/8 Pitch x 1-1/2 W x 80 Pitches - RJ
Nissan	Pathfinder/Truck 85-Up	HV-106	3/8 Pitch x 1-3/4 W x 88 Pitches - RJ
Nissan	Pathfinder 7/95-Up	HV-116*	7/16 Pitch x 1-1/4 W x 76 Pitches - RJ
Nissan	Van 86-Up	HV-107	3/8 Pitch x 1-1/4 W x 88 Pitches - RJ
Safari	Safari 87-Up	HV-108	3/8 Pitch x 1-7/8 W x 88 Pitches - RP
Scout II, IHC	(4WD) 73-79	HV-006	3/8 Pitch x 2 W x 92 Pitches - RJ
Suzuki, Chev Tracker	Suzuki Vitara/Chev Tracker 8/96-Up	HV-118*	3/8 Pitch x 1 W x 68 Pitches - RJ
Toyota	4-Runner/Truck 84-86	HV-102	.5033 Pitch x 1-1/4 W x 62 Pitches - RP
Toyota	4-Runner/Truck 87-7/88	HV-109B*	7/16 Pitch x 1-1/2 W x 74 Pitches - RJ Random pattern, springload
Toyota	4-Runner/Truck 87-93	HV-109B*	7/16 Pitch x 1-1/2 W x 74 Pitches - RJ Random pattern, springload
Toyota	4-Runner, Tacoma 4/93-Up	HV-117*	7/16 Pitch x 1-1/4 W x 74 Pitches - RJ Latest Link Profile
Toyota	Van 85-Up	HV-103	.5033 Pitch x 1 W x 62 Pitches - RP
Getrag	Specialty Gearbox	372828	3/8 Pitch x 1-1/4 W x 66 Pitches - RJ

*Special Order Only RJ = Rocker Joint RP = Round Pin

Interchange

OEM	NAME	MORSE #	OEM	NAME	MORSE #	OEM	NAME	MORSE #
11428	NVG	HV005	4659187	CHRYSLER	HVS047	15547422	GM	HV025
13433	NVG	HV009	4659190	CHRYSLER	HV047	15580279	GM	HV025
13797	NVG	HV012	4659232	CHRYSLER	S123B	15581813	GM	HV027
13798	NVG	HV014	4659233	CHRYSLER	S122A	15619392	GM	HV031
15027	NVG	HV015	4728159	CHRYSLER	HV034	15634064	GM	HV033
15569	NVG	HV022	4746147	CHRYSLER	HV031	15635937	GM	HV022
15908	NVG	HV022	4746257	CHRYSLER	HV025	15963558	GM	HV032
16067	NVG	HV026	5003453AA	CHRYSLER	HV063	19132837	GM	HV097
16417	NVG	HV027	5012322AB	CHRYSLER	HV071	19151772	GM	HV502
16418	NVG	HV028	5080215AA	CHRYSLER	HV081	24200738	GM	HV039
16624	NVG	HV025	5086328AA	CHRYSLER	HV064	24200771	GM	HV036
16977	NVG	HV061	5740090	AM GENERAL	HV026	24202447	GM	HV035
17167	NVG	HV022	6273991	GM	HV005	24206043	GM	HV038
17536	NVG	HV031	8130977	CHRYSLER	HV014	24206266	GM	HS003
17550	NVG	HV034	8134471	CHRYSLER	HV022	24206267	GM	HS004
17577	NVG	HV060	8624944	GM	HV001	24206268	GM	HS005
21967	NVG	HV074	8625946	GM	HV001	24206269	GM	HS006
22182	NVG	HV069	8632901	GM	HV010	24206270	GM	HS007
22500	NVG	HV062	8635171	GM	HV016	24206271	GM	HS008
23750	NVG	HV063	8637187	GM	HV019	24206434	GM	HV065
24273	NVG	HV064	8643337	GM	HV019	24210129	GM	HV058
26976	NVG	HVS071	8646116	GM	HV018	24229085	(2) GM	HV093
27293	NVG	HV059	8653991	GM	HV019	30651660	VOLVO	HV094
30965	NVG	HV071	8660099	GM	HV018	2922560A01	SUZUKI	HV110
31534	NVG	HV072	8679627	GM	HV037	2922560A00	GEO	HV110
38985	NVG	HV081	8682603	GM	HV035	35735010	ISUZU	HV102
433782	DANA	HV048	8685784	GM	HV038	83503146	CHRYSLER	HV027
474613	GM	HV009	8709272	SAAB	HV003	83504575	CHRYSLER	HV028
801145	CHRYSLER	HV007	12384954	GM	HV074	88935661	GM	HV059
2922578	SUZUKI	HV118	12473234	GM	HV069	89059571	GM	HV055
3821373	CHRYSLER	HV005	12474602	GM	HV072	96067054	SUZUKI	HV110
4115334	GM	HV009	12544311	GM	HV025	3315201J00	NISSAN	HV108
4167995	CHRYSLER	HV025*	12544694	GM	HV031	3315230C00	NISSAN	HV107
4338935	CHRYSLER	HV027	12544695	GM	HV025	3315233G01	NISSAN	HV106
4446464	AMC	HV022	12547628	GM	HV062	331520W410	NISSAN	HV116
4539777	CHRYSLER	HV046	14037982	GM	HV014	3315230C00	NISSAN	HV107
4636961	CHRYSLER	HV022	14071706	GM	HV022	501309297	BMW	HV024
4638890	CHRYSLER	HV028	14079006	GM	HV022	501311424	BMW	HV024R

Interchange (Continued)

OEM	NAME	MORSE #	OEM	NAME	MORSE #	OEM	NAME	MORSE #
1345143002	WARNER GEAR	HV012	4472143001	WARNER GEAR	HV032	F6RZ7G249BA	FORD PROBE	HV045
1350143001	WARNER GEAR	HV022	8971292370	ISUZU	HV056	F5TZ7A029A	FORD	HV054
13611343001R	WARNER GEAR	HV049	13630591010	HONDA	HV004	F65Z7A029AA	FORD	HV052
1370143001	WARNER GEAR	HV025	25780016010	TOYOTA	HV101	F68P7G249AA	FORD	HV041
1370143002	WARNER GEAR	HV031	27241226319	BMW	HV024	F70Z7G249AA	FORD	HV042
1372143001	WARNER GEAR	HV033	0435143002V	BLMC/WOLSELEY	HV002	F75Z7A029AA	FORD	HV053
3578116010	TOYOTA	HV101	0437143001X	SAAB	HV023	F87Z7A029BB	FORD	HV070
3629328010A	TOYOTA	HV103	12352L1101	NISSAN	HV020	J8130831	CHRYSLER	HV015
3629328010	TOYOTA	HV103	13611343001R	RANGE ROVER	HV049	J8134471	CHRYSLER	HV022
3629335010	TOYOTA	HV109B	3080173001DA	ISUZU	HV102	M50117945	MAZDA	HV105
3629335020	TOYOTA	HV109B	3090173001DA	TOYOTA	HV102	MD446415	MITSUBISHI	HV115
3629335010	TOYOTA	HV109B	3315201J00	NISSAN	HV108	MD704196	CHRYSLER	HV104
3629335021	TOYOTA	HV109B	3315233G01	NISSAN	HV106	MD738550	MITSUBISHI	HV113
3629335030	TOYOTA	HV117	3629328010A	TOYOTA	HV103	MD886422	MITSUBISHI	HV112
3629335031	TOYOTA	HV117	42169C1	IHC	HV006	MD936280	MITSUBISHI	HV114
4351430021	SAAB	HV003	D4TZ7A029A	FORD	HV005	RTC6041	LR/RR	HV049
4400143002	WARNER GEAR	HV051	D8TZ7A029A	FORD	HV009	R50117945B	MAZDA	HV111
4400143005	WARNER GEAR	HV053	E0T27A029A	FORD	HV012	XL2Z7A029AA	FORD	HV051
4400143006	WARNER GEAR	HV056	E0TZ7A029B	FORD	HV013	XL2Z7A029BB	FORD	HV067
4400143007	WARNER GEAR	HV052	E2TZ7A029A	FORD	HV012	XL3Z7A029AA	FORD	HV066
4400143009	WARNER GEAR	HV055	E3TZ7A029A	FORD	HV022	XR83320	LR/RR	HV049
4400143010	WARNER GEAR	HV027	E6DZ7G249A	FORD	HV021	1L2Z7A029LA	FORD	HV078
4400143013B	WARNER GEAR	HV066	E6SP7G249AA	FORD	HV021	1L5Z7A029AA	FORD	HV068
4400143014	WARNER GEAR	HV067	E8DZ7G249A	FORD	HV029	3L5Z7A029AA	FORD	HV022
4400143015	WARNER GEAR	HV051	F09Z7A029A	FORD	HV048	5F2P7G249AA	FORD	HV092
4400143017	WARNER GEAR	HV070	F3DZ7G249A	FORD	HV040	5L5Z7A029AA	FORD	HV505
4400143021B	WARNER GEAR	HV068	F3RP7G249DA	FORD	HV043	4F2Z7G249AA	FORD	HV042
4400143023A	WARNER GEAR	HV076	F3RP7G249FA	FORD	HV045	4F1Z7G249AA	FORD	HV075
4400143024A	WARNER GEAR	HV080	F3RP7G249GA	FORD	HV044	473564B000	HYUNDAI	HV027
4400143025A	WARNER GEAR	HV077	F3RZ7G249A	FORD	HV043	47356H1000	HYUNDAI	HV070
4400143027	WARNER GEAR	HV078	F5DZ7G249A	FORD	HV042	88996485	GM	HV076
4401143001	WARNER GEAR	HV025	F50P7G249AA	FORD	HV042	88996668	GM	HV080
4407143001	WARNER GEAR	HV054	F57Z7A029A	FORD	HV051	88984521	GM	HV077
4411143003	WARNER GEAR	HV067	F5RZ7G249B	FORD	HV045	7L1Z7A029A	FORD	HV076
4411143005	WARNER GEAR	HV067	F5RZ7G249C	FORD	HV044	8L8Z6G249A	FORD	HV044
4462143001	WARNER GEAR	HV057	F6RZ7G249AA	FORD 2.0L	HV043			
4470143001	WARNER GEAR	HV031	F6RZ7G249CA	FORD 2.5L	HV044			

*HV025 is a round pin design which is the latest for the NVG 208 Dodge and NVG 241 GM & Dodge applications. The HV025 can replace the HV014 without sprocket problems in these applications.

Troubleshooting Guide for Transmission and Transfer Case Hy-Vo Chain and Sprockets

SYMPTOM	CAUSE(S)	CURE(S)
Excessive Chain Wear on the guide link inside flank area	Sprockets misaligned or out of parallel.	Realign sprockets.
Chain wear on Outside/Back of chain	Interference with case and/or excessive elongation.	Replace chain and sprockets.
Burnt Chain	Overheating, lack of lubrication.	Replace chain and inspect the lubrication situation.
Rusty Chain	There may be corrosion in the system or inadequate lubrication.	Avoid abuse, replace sprockets, check for water in oil, replace any faulty seals or breather elements, and correct lubrication situation.
Broken Links, Turned Pins	Drive system may be overloaded or there may be excessive slack in the chain causing it to "jump teeth." Or, there may be a foreign object in the system.	Replace the chain, remove and repair the damage. Avoid overloading the drive system.
Extreme flank wear	Worn sprockets, lack of proper lubrication.	Replace sprockets and chain and correct the lubrication problem.
Excessive premature Sprocket Wear	Mismatched new and old sprocket.	Always replace both sprockets.
Sprocket wear — Light Wear — Heavy Wear - Pitting	A certain amount is normal.	For heavy wear: Replace both the sprocket and chain.
Lubrication smells bad and is dark in color.	Overheating.	Drain and flush the case, check for cause of overheating and damaged components, replace the chain, refill lubricant to manufacturer specifications. In automatic transmissions, check for slipping clutches or a failed torque converter.
Excessive noise or vibration	Broken links, inadequate lubrication, misalignment, or eccentricity/face runout in sprocket.	Replace with properly machined sprockets, replace chain, check shafts of sprockets and realign, check bearings, correct any lubrication situation to manufacturer specifications.
Milky or muddy Lubrication	Probable water contamination.	Drain and flush case several times (at least three), check seals and breather components, check for other damaged components, replace chain and refill lubrication to manufacturer specs.

Morse Transfer Case Chains



Porque la Cadena Morse® Hy-VO®?

Características y Beneficios de Diseño:

Estilos de Diseño específicos de Aplicaciones: Morse ofrece una completa línea de aplicaciones que incluye perno redondo, tres estilos de cadena con unión de perno oscilante, eslabones guía ET, y el nuevo sistema patentado Morse Gemini® system. Cada uno de estos estilos son específicos por aplicación dependiendo de las cargas, las condiciones operativas, y el espacio de operación. (No se recomienda substituir estilos de diseño, puesto que el acoplamiento con los engranes se vería afectado.)

Eslabones Guía ET: El nuevo diseño patentado de eslabones guía ofrece una mejor distribución de la carga durante la operación. El diseño de cadenas será perfeccionado basados en las conversiones de servicio en Equipo Original.

Aleatorización de la Cadena: Este es un diseño patentado que utiliza dos diferentes estilos de eslabones para eliminar las frecuencias creadas en el acoplamiento con el engrane. Los patrones son seleccionados cuando se realiza el diseño de Equipo Original para minimizar el ruido y los niveles de vibración, así como para optimizar las fuerzas operativas de cada aplicación.

Características y Beneficios de Calidad:

Calidad y Certificación de Equipo Original: Además de tener la certificación QS 9000, los productos Morse HyVo, utilizan sólo aceros de la más alta calidad para los eslabones y los pernos. Esto significa que la lámina no tiene en sí inclusiones ni impurezas, contribuyendo a mejores características de tensión, fatiga y desgaste. Así mismo, el diseño y las tecnologías de manufactura especiales crean la cadena de mejor calidad en el mercado de refacciones.

Notas Importantes para los Reconstructores:

Elongación de Cadena: A pesar de los productos Morse HyVo, son fabricados para tener una máxima duración, cuando el reconstructor tiene la unidad desmontada, los engranes y las cadenas deben ser verificados.

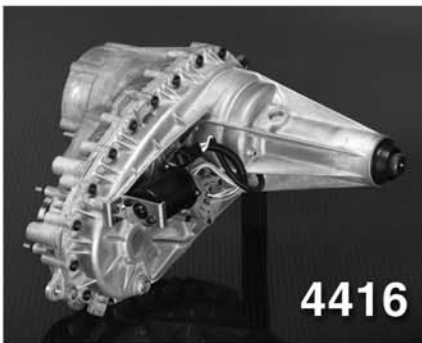
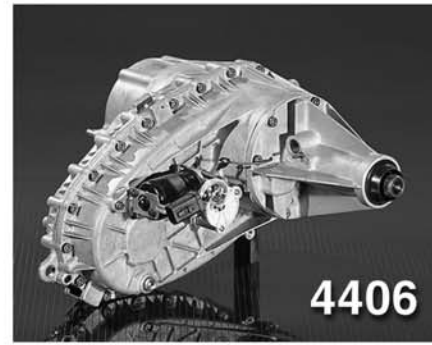
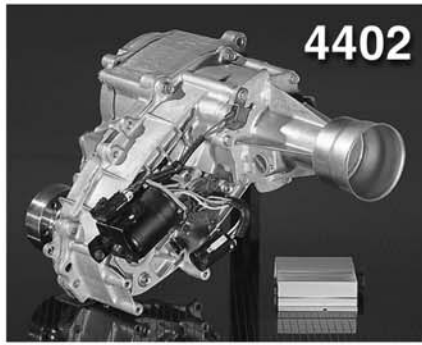
Recuerde que es muy difícil para el cliente de refacciones medir la elongación de la cadena. Una razón para esto es el movimiento del árbol de levas cuando la unidad se encuentra separada. En algunos casos, cuando el árbol de levas está fijo y sin cubierta, la estimación de una persona experimentada en el campo puede ser aceptable.

Morse cuenta con equipo especial para medir los parámetros de elongación. Además cada aplicación puede ser diferente dependiendo de los parámetros de la aplicación.

Si no se utiliza el equipo adecuado para medir la elongación de la cadena, el rango de precisión o de error es de 50%. Cada aplicación tiene sus propias variaciones y las especificaciones recomendadas por el fabricante para las tolerancias de la cadena deben ser referenciadas.

Si la cadena ha estado en servicio por más de 60,000 millas (95,000 kms), si la unidad está rasgada, si muestra signos de problemas, descuido o desgaste – reemplace la cadena.

BorgWarner TTS Transfer Case Photo Gallery



Notes:

Morse Transfer Case Chains

Differential Rebuild Kits

DRK-1

Position	Part Number	Quantity
Differential Right Bearing	497-493	1
Differential Left Bearing	56425-56650	1
Pinion Head Bearing	55200C-55437	1
Pinion Tail Bearing	55200C-55437	1
Pinion Nose Bearing	MUSB1307UM	1
Electric Shift Bearing	200SL●	1
Pinion Seal	DT7721	1
Sealer	RTV Silicone	1

DRK-1A

Position	Part Number	Quantity
Differential Right Bearing	497-493	1
Differential Left Bearing	567-563	1
Pinion Head Bearing	55200C-55437	1
Pinion Tail Bearing	55200C-55437	1
Pinion Nose Bearing	MUSB1307UM	1
Pinion Seal	DT7721	1
Sealer	RTV Silicone	1

DRK-9F

Position	Part Number	Quantity
Differential Right Bearing	496-493	1
Differential Left Bearing	496-493	1
Pinion Head Bearing	72200C-72487	1
Pinion Tail Bearing	72200C-72487	1
Pinion Nose Bearing	MU1306TDM	1
Drive Gear Front Bearing	29675-29630	1
Drive Gear Rear Bearing	29675-29630	1
Idle Gear Bearing	31597-31520	2
Input Shaft Bearing	211B	1
Thrushaft Bearing	209●	1
Pinion Seal	35949N (29288)	1
Thrushaft Seal	475322N (27295)	1
Sealer	RTV Silicone	1

DRK-9R

Position	Part Number	Quantity
Differential Right Bearing	496-493	1
Differential Left Bearing	496-493	1
Pinion Head Bearing	72200C-72487	1
Pinion Tail Bearing	72188C-72487	1
Pinion Nose Bearing	MU1306TDM	1
Pinion Seal	35009N (27452)	1
Sealer	RTV Silicone	1

DRK-9RB

Position	Part Number	Quantity
Differential Right Bearing	496-493	1
Differential Left Bearing	496-493	1
Pinion Head Bearing	72200C-72487	1
Pinion Tail Bearing	72188C-72487	1
Pinion Nose Bearing	RU1570UM	1
Pinion Seal	35009N (27452)	1
Sealer	RTV Silicone	1

DRK-9RC

Position	Part Number	Quantity
Differential Right Bearing	496-493	1
Differential Left Bearing	497-493	1
Pinion Head Bearing	72200C-72487	1
Pinion Tail Bearing	72188C-72487	1
Pinion Nose Bearing	RU1570UM	1
Pinion Seal	35009N (27452)	1
Sealer	RTV Silicone	1

DRK-11FA

Position	Part Number	Quantity
Differential Right Bearing	581-572	1
Differential Left Bearing	581-572	1
Pinion Head Bearing	42350-42584	1
Pinion Tail Bearing	497-493	1
Pinion Nose Bearing	MR1212EL	1
Cross Shaft Right Bearing	66225-66462	2
Cross Shaft Left Bearing	MU1218TDHM	1
Cross Shaft Left Bearing	5212W	1
Thrushaft Bearing	212	1
Input Shaft Seal	415086N (30055)	1
Thru Shaft Seal	415086N (30055)	1
Sealer	RTV Silicone	1

DRK-11R

Position	Part Number	Quantity
Differential Right Bearing	581-572	1
Differential Left Bearing	581-572	1
Pinion Head Bearing	42350-42584	1
Pinion Tail Bearing	497-493	1
Pinion Nose Bearing	MR1212EL	1
Cross Shaft Right Bearing	66225-66462	2
Cross Shaft Left Bearing	MU1218TDHM	1
Pinion Seal	3592 (30144)	1
Pinion Seal	475012N (29322)	1
Sealer	RTV Silicone	1

DRK-18D

Position	Part Number	Quantity
Differential Right Bearing	42381-42584	1
Differential Left Bearing	665-653	1
Pinion Head Bearing	78215C-78551	1
Pinion Tail Bearing	72212C-72487	1
Pinion Nose Bearing	MU1309UM	1
Pinion Seal	712937 (29471)	1
Sealer	RTV Silicone	1

DRK-18E

Position	Part Number	Quantity
Differential Right Bearing	42381-42584	1
Differential Left Bearing	665-653	1
Pinion Head Bearing	78215C-78551■	1
Pinion Tail Bearing	72212C-72487	1
Pinion Nose Bearing	MUB1308UM	1
Pinion Seal	712937 (29471)	1
Sealer	RTV Silicone	1
■ with GMC (1984 & later) use 72212C-72487		

DRK-23

Position	Part Number	Quantity
Differential Right Bearing	495A-493	1
Differential Left Bearing	42381-42584	1
Pinion Head Bearing	HM903249-HM903210	1
Pinion Tail Bearing	HM903249-HM903210	1
Pinion Nose Bearing	MUSB1307UM	1
Electric Shift Bearing	200SL●	1
Pinion Seal (2.375" Shaft)	712375 (23857)	1
Pinion Seal (2.625" Shaft)	712625 (26358)	1
Sealer	RTV Silicone	1

DRK-23B

Position	Part Number	Quantity
Differential Right Bearing	3994-3920	1
Differential Left Bearing	567-563	1
Pinion Head Bearing	HM903249-HM903210	1
Pinion Tail Bearing	HM903249-HM903210	1
Pinion Nose Bearing	MUSB1307UM	1
Pinion Seal (2.375" Shaft)	712375 (23857)	1
Pinion Seal (2.625" Shaft)	712625 (26358)	1
Sealer	RTV Silicone	1

DRK-23D

Position	Part Number	Quantity
Differential Right Bearing	495A-493	1
Differential Left Bearing	42381-42584	1
Pinion Head Bearing	55175C-55437	1
Pinion Tail Bearing	55175C-55437	1
Pinion Nose Bearing	MUSB1307UM	1
Electric Shift Bearing	200SL●	1
Pinion Seal (2.375" Shaft)	475095N (23770)	1
Pinion Seal (2.625" Shaft)	9773 (26373)	1
Sealer	RTV Silicone	1

DRK-24

Position	Part Number	Quantity
Differential Right Bearing	33275-33472	1
Differential Left Bearing	498-493■	1
Pinion Head Bearing	HM903249-HM903210	1
Pinion Tail Bearing	HM903249-HM903210	1
Pinion Nose Bearing	MU1305TDM	1
Electric Shift Bearing	200SL●	1
Pinion Seal (2.250" x 3.194")	470737N (22425)	1
Pinion Seal (2.250" x 4.069")	722250 (22653)	1
Pinion Seal (2.625" x 4.069")	712625 (26358)	1
Sealer	RTV Silicone	1
■ with GMC (1986-1987) use 3994-3920		

DRK-50

Position	Part Number	Quantity
Differential Right Bearing	598-592A	1
Differential Left Bearing	52387-52618	1
Pinion Head Bearing	H715343-H715311	1
Pinion Tail Bearing	H715334-H715311	1
Pinion Nose Bearing	MUB1309TM	1
Pinion Seal	415086N (30055)	1
Sealer	RTV Silicone	1

DRK-50A

Position	Part Number	Quantity
Differential Right Bearing	598-592A	1
Differential Left Bearing	52387-52618	1
Pinion Head Bearing	H715343-H715311	1
Pinion Tail Bearing	HM813843-HM813810	1
Pinion Nose Bearing	MUB1309TM	1
Pinion Seal	415086N (30055)	1
Sealer	RTV Silicone	1

DRK-64F

Position	Part Number	Quantity
Differential Right Bearing	56425-56650	1
Differential Left Bearing	497-493	1
Pinion Head Bearing	72200C-72487	1
Pinion Tail Bearing	72200C-72487	1
Pinion Nose Bearing	MUSB1307UM	1
Input Shaft Front Bearing	311	1
Output Shaft Front Bearing	34274-34492A	1
Output Shaft Rear Bearing	MA1209EL	1
Input Shaft Seal	DT7720	1
Thrushaft Seal	DT7720	1
Felt Seal	5M867 (654)●	1
Sealer	RTV Silicone	1

DRK-64FC

Position	Part Number	Quantity
Differential Right Bearing	567-563	1
Differential Left Bearing	497-493	1
Pinion Head Bearing	72200C-72487	1
Pinion Tail Bearing	72200C-72487	1
Pinion Nose Bearing	MUSB1307UM	1
Input Shaft Front Bearing	311	1
Output Shaft Front Bearing	34274-34492A	1
Output Shaft Rear Bearing	MA1209EL	1
Input Shaft Seal	DT7720	1
Thrushaft Seal	DT7720	1
Felt Seal	5M867 (654)●	1
Sealer	RTV Silicone	1

DRK-64FD

Position	Part Number	Quantity
Differential Right Bearing	567-563	1
Differential Left Bearing	497-493	1
Pinion Head Bearing	72200C-72487	1
Pinion Tail Bearing	72200C-72487	1
Pinion Nose Bearing	MUSB1307UM	1
Input Shaft Front Bearing	JM207049-JM207010	1
Output Shaft Front Bearing	34274-34492A	1
Output Shaft Rear Bearing	MA1209EL	1
Input Shaft Seal	DT7720	1
Thrushaft Seal	DT7720	1
Felt Seal	5M867 (654)●	1
Sealer	RTV Silicone	1

DRK-64FE

Position	Part Number	Quantity
Differential Right Bearing	56425-56650	1
Differential Left Bearing	497-493	1
Pinion Head Bearing	72200C-72487	1
Pinion Tail Bearing	72200C-72487	1
Pinion Nose Bearing	MUSB1307UM	1
Input Shaft Front Bearing	JM207049-JM207010	1
Output Shaft Front Bearing	34274-34492A	1
Output Shaft Rear Bearing	MA1209EL	1
Input Shaft Seal	DT7720	1
Thrushaft Seal	DT7720	1
Felt Seal	5M867 (654)●	1
Sealer	RTV Silicone	1

DRK-72

Position	Part Number	Quantity
Differential Right Bearing	42346-42584	1
Differential Left Bearing	68450-68712■	1
Pinion Head Bearing	72212C-72487	1
Pinion Tail Bearing	72212C-72487	1
Pinion Nose Bearing	MUB1308UM	1
Electric Shift Bearing	200SL●	1
Pinion Seal	475003N (26220)	1
Felt Seal	5M867 (654)●	1
Sealer	RTV Silicone	1

■ Use 68450 Cone with 27950 Case; use 68462 Cone with 103537 Case

DRK-72A

Position	Part Number	Quantity
Differential Right Bearing	42346-42584	1
Differential Left Bearing	68450-68712	1
Pinion Head Bearing	78215C-78551	1
Pinion Tail Bearing	72212C-72487	1
Pinion Nose Bearing	MUB1308UM	1
Pinion Seal	712937 (29471)	1
Sealer	RTV Silicone	1

DRK-72B

Position	Part Number	Quantity
Differential Right Bearing	42346-42584	1
Differential Left Bearing	68462-68712	1
Pinion Head Bearing	78215C-78551	1
Pinion Tail Bearing	72212C-72487	1
Pinion Nose Bearing	MUB1308UM	1
Pinion Seal	712937 (29471)	1
Sealer	RTV Silicone	1

DRK-111

Position	Part Number	Quantity
Differential Right Bearing	685-672	1
Differential Left Bearing	685-672	1
Pinion Head Bearing	H913842-H913810	1
Pinion Tail Bearing	HM911245-HM911210	1
Pinion Nose Bearing	MUC1309UM	1
Pinion Seal	416470N (32385)	1
Sealer	RTV Silicone	1

DRK-117

Position	Part Number	Quantity
Differential Right Bearing	598A-592A	1
Differential Left Bearing	598A-592A	1
Pinion Head Bearing	H715340-H715310	1
Pinion Tail Bearing	65212-65500	1
Cross Shaft Right Bearing	6379-6320	1
Cross Shaft Left Bearing	6379-6320	1
Pinion Seal	35009N (27452)	1
Pinion Seal (2 Speed)	476283N (27601)	1
O-Ring	OR-250	1
O-Ring	OR-262	1
Sealer	RTV Silicone	1

DRK-117A

Position	Part Number	Quantity
Differential Right Bearing	598-592A	1
Differential Left Bearing	598-592A	1
Pinion Head Bearing	H715340-H715310	1
Pinion Tail Bearing	65212-65500	1
Cross Shaft Right Bearing	6379-6320	1
Cross Shaft Left Bearing	6379-6320	1
Pinion Seal	35009N (27452)	1
O-Ring	OR-250	1
O-Ring	OR-262	1
Sealer	RTV Silicone	1

DRK-170

Position	Part Number	Quantity
Differential Right Bearing	33287-33472	1
Differential Left Bearing	42381-42584	1
Pinion Head Bearing	55200C-55437	1
Pinion Tail Bearing	HM804848-HM804810	1
Pinion Nose Bearing	M5305TV	1
Electric Shift Bearing	200SL●	1
Pinion Seal	712598 (25990)	1
Shift Rod Seal	50419●	1
Sealer	RTV Silicone	1

DRK-172F

Position	Part Number	Quantity
Differential Right Bearing	47890-47820	1
Differential Left Bearing	47890-47820	1
Pinion Head Bearing	H715343-H715311	1
Pinion Tail Bearing	65237-65500	1
Drive Gear Front Bearing	MU1015DCV	1
Input Shaft Bearing	313	1
Thrushaft Bearing	210	1
Input Shaft Seal	415086N (30055)	1
Thrushaft Seal	475322N (27295)	1
Sealer	RTV Silicone	1

DRK-172FA

Position	Part Number	Quantity
Differential Right Bearing	47890-47820	1
Differential Left Bearing	47890-47820	1
Pinion Head Bearing	H715343-H715311	1
Pinion Tail Bearing	65237-65500	1
Drive Gear Front Bearing	MU1015DCV	1
Input Shaft Bearing	313A	1
Thrushaft Bearing	210	1
Input Shaft Seal	415086N (30055)	1
Thrushaft Seal	475322N (27295)	1
Sealer	RTV Silicone	1

DRK-172FB

Position	Part Number	Quantity
Differential Right Bearing	47890-47820	1
Differential Left Bearing	47890-47820	1
Pinion Head Bearing	H715343-H715311	1
Pinion Tail Bearing	65237-65500	1
Inter Differential Bearing	JLM714149-JLM714110	1
Input Shaft Bearing	JH211749-JH211710	1
Output Shaft Bearing	LM104949-JLM104910	2
Input Shaft Seal	416470N (32385)	1
Thrushaft Seal	475322N (27295)	1
Sealer	RTV Silicone	1

DRK-172R

Position	Part Number	Quantity
Differential Right Bearing	47890-47820	1
Differential Left Bearing	47890-47820	1
Pinion Head Bearing	H715343-H715311	1
Pinion Tail Bearing	H715334-H715311	1
Pinion Nose Bearing	MU1308UM	1
Pinion Seal	3591 (27642)	1
Pinion Seal (SSHD, STHD, SUHD)	35009N (27452)●	1
Sealer	RTV Silicone	1

DRK-187F

Position	Part Number	Quantity
Differential Right Bearing	HM516449C-HM516410	1
Differential Left Bearing	HM516449C-HM516410	1
Pinion Head Bearing	42350-42584	1
Pinion Tail Bearing	497-493	1
Pinion Nose Bearing	MR1212EL	1
Cross Shaft Right Bearing	66225-66462	2
Cross Shaft Left Bearing	MU1218TDHM	1
Input Shaft Bearing	387A-382A	2
Thrushaft Bearing	212	1
Input Shaft Seal	3592 (30144)	1
Thrushaft Seal	415086N (30055)	2
Sealer	RTV Silicone	1

DRK-187R

Position	Part Number	Quantity
Differential Right Bearing	HM516449C-HM516410	1
Differential Left Bearing	HM516449C-HM516410	1
Pinion Head Bearing	42350-42584	1
Pinion Tail Bearing	497-493	1
Pinion Nose Bearing	MR1212EL	1
Cross Shaft Right Bearing	66225-66462	2
Cross Shaft Left Bearing	MU1218TDHM	1
Input Shaft Seal	3592 (30144)	1
Thrushaft Seal	415013N (29951)	1
Sealer	RTV Silicone	1

DRK-191F

Position	Part Number	Quantity
Differential Right Bearing	3984-3925	1
Differential Left Bearing	3984-3925	1
Pinion Head Bearing	55175C-55437	1
Pinion Tail Bearing	55175C-55437	1
Pinion Nose Bearing	MUB5206UM	1
Idler Gear Bearing	25877-25821	2
Thrust Bearing Shim	W2840	1
Thrust Bearing Race	TRA2840	2
Input Shaft Bearing	122L	1
Output Shaft Bearing	210	1
Drive Gear Bearing	213SL	1
Input Shaft Bearing	310B	1
Input Shaft Seal	415281N (29870)	1
Thrushaft Seal	415147N (24989)	1
Sealer	RTV Silicone	1

DRK-191R

Position	Part Number	Quantity
Differential Right Bearing	3984-3925	1
Differential Left Bearing	3984-3925	1
Pinion Head Bearing	55175C-55437	1
Pinion Tail Bearing	55175C-55437	1
Pinion Nose Bearing	MUB5206UM	1
Pinion Seal	410686N (23756)	1
Pinion Seal	710006 (23860)	1
Sealer	RTV Silicone	1

DRK-192FB

Position	Part Number	Quantity
Differential Right Bearing	47890-47820	1
Differential Left Bearing	47890-47820	1
Pinion Head Bearing	72225C-72487	1
Pinion Tail Bearing	72225C-72487	1
Pinion Nose Bearing	MUB1307UM	1
Idler Gear Bearing	25877-25821	2
Thrust Bearing Shim	W2840	1
Thrust Bearing Race	TRA2840	2
Input Shaft Bearing	122L	1
Output Shaft Bearing	210	1
Driveshaft Bearing	L610549-L610510	2
Input Shaft Bearing	310B	1
Input Shaft Seal	415281N (29870)	1
Thrushaft Seal	415147N (24989)	1
Sealer	RTV Silicone	1

DRK-192FC

Position	Part Number	Quantity
Differential Right Bearing	47890-47820	1
Differential Left Bearing	47890-47820	1
Pinion Head Bearing	78225C-78551	1
Pinion Tail Bearing	78225C-78551	1
Pinion Nose Bearing	MUB1307UM	1
Idler Gear Bearing	25877-25821	2
Input Shaft Bearing	122SL	1
Output Shaft Bearing	210	1
Input Shaft Bearing	310B	1
Driveshaft Bearing	L610510-L610549	2
Input Shaft Seal	415281N (29870)	1
Thrushaft Seal	415147N (24989)	1
Sealer	RTV Silicone	1

DRK-192R

Position	Part Number	Quantity
Differential Right Bearing	47890-47820	1
Differential Left Bearing	47890-47820	1
Pinion Head Bearing	72225C-72487	1
Pinion Tail Bearing	72225C-72487	1
Pinion Nose Bearing	MUB1307UM	1
Pinion Seal	415013N (29925)	1
Pinion Seal	415147N (24989)	1
Sealer	RTV Silicone	1

DRK-192RA

Position	Part Number	Quantity
Differential Right Bearing	47890-47820	1
Differential Left Bearing	47890-47820	1
Pinion Head Bearing	78225C-78551	1
Pinion Tail Bearing	78225C-78551	1
Pinion Nose Bearing	MUB1307UM	1
Pinion Seal	415013N (29925)	1
Pinion Seal	415147N (24989)	1
Sealer	RTV Silicone	1

Differential Rebuild Kits

DRK-192RB

Position	Part Number	Quantity
Differential Right Bearing	47890-47820	1
Differential Left Bearing	47890-47820	1
Pinion Head Bearing	72225C-72487	1
Pinion Tail Bearing	72225C-72487	1
Pinion Nose Bearing	MUB1307UM	1
Pinion Seal	DTHH102	1
Sealer	RTV Silicone	1

DRK-193

Position	Part Number	Quantity
Differential Right Bearing	56425-56650	1
Differential Left Bearing	497-493	1
Pinion Head Bearing	72218C-72487 [■]	1
Pinion Tail Bearing	72200C-72487	1
Pinion Nose Bearing	MUSB1307UM	1
Input Shaft Bearing	JH307749-JH307710	1
Output Shaft Front Bearing	34274-34492A	1
Output Shaft Rear Bearing	MA1209EL	1
Input Shaft Seal	DT7719	1
Thrushaft Seal	DT7720	1
Sealer	RTV Silicone	1

[■] Use 72200C for 3.70 Ratio

DRK-193A

Position	Part Number	Quantity
Differential Right Bearing	567-563	1
Differential Left Bearing	497-493	1
Pinion Head Bearing	72218C-72487 [■]	1
Pinion Tail Bearing	72200C-72487	1
Pinion Nose Bearing	MUSB1307UM	1
Input Shaft Front Bearing	JH307749-JH307710	1
Output Shaft Front Bearing	34274-34492A	1
Output Shaft Rear Bearing	MA1209EL	1
Input Shaft Seal	DT7719	1
Thrushaft Seal	DT7720	1
Sealer	RTV Silicone	1

[■] Use 72200C for 3.70 Ratio

DRK-194F

Position	Part Number	Quantity
Differential Right Bearing	JM716649-JM716610	1
Differential Left Bearing	JM716649-JM716610	1
Pinion Head Bearing	72212C-72487	1
Pinion Tail Bearing	72212C-72487	1
Pinion Nose Bearing	RU1570UM	1
Drive Gear Front Bearing	JLM710949-JLM710910	1
Input Shaft Bearing	JM511946-JM511910	1
Thrushaft Bearing	LM603049-LM603011 [●]	2
Input Shaft Seal	415281N (29870)	1
Thrushaft Seal	4561V (24964)	1
Sealer	RTV Silicone	1

DRK-194R

Position	Part Number	Quantity
Differential Right Bearing	JM716649-JM716610	1
Differential Left Bearing	JM716649-JM716610	1
Pinion Head Bearing	65237-65500	1
Pinion Tail Bearing	72201C-72487	1
Pinion Seal	5603 (1245)	1
Sealer	RTV Silicone	1

DRK-194RA

Position	Part Number	Quantity
Differential Right Bearing	JM716649-JM716610	1
Differential Left Bearing	JM716649-JM716610	1
Pinion Head Bearing	65237-65500	1
Pinion Tail Bearing	72225C-72487	1
Pinion Seal	3905 (30145)	1
Sealer	RTV Silicone	1

DRK-194RB

Position	Part Number	Quantity
Differential Right Bearing	JM716649-JM716610	1
Differential Left Bearing	JM716649-JM716610	1
Pinion Head Bearing	72212C-72487	1
Pinion Tail Bearing	72212C-72487	1
Pinion Nose Bearing	RU1570UM	1
Pinion Seal	3905 (30145)	1
Sealer	RTV Silicone	1

DRK-195

Position	Part Number	Quantity
Differential Right Bearing	28584-28521	1
Differential Left Bearing	28584-28521	1
Pinion Head Bearing	27881-27820	1
Pinion Tail Bearing	27880-27820	1
Pinion Nose Bearing	MUB5204TM	1
Pinion Seal	410085N (19970)	1
Pinion Seal	710007 (20136)	1
Felt Seal	5M293 (573)	1
Sealer	RTV Silicone	1

DRK-196

Position	Part Number	Quantity
Differential Right Bearing	567-563	1
Differential Left Bearing	497-493	1
Pinion Head Bearing	72218C-72487 [■]	1
Pinion Tail Bearing	HM807049-HM807010 [■]	1
Pinion Nose Bearing	MUSB1307UM	1
Input Shaft Bearing	3979-JM511910	1
Output Shaft Front Bearing	29675-29620	1
Output Shaft Rear Bearing	MA1209EL	1
Input Shaft Seal	DT7719	1
Thrushaft Seal	DT7720	1
Sealer	RTV Silicone	1

[■] DS341 w/ GMC (after 1985) use 55200C-55437

DRK-198

Position	Part Number	Quantity
Differential Right Bearing	56425-56650	1
Differential Left Bearing	56425-56650	1
Pinion Head Bearing	H715343-H715311	1
Pinion Tail Bearing	H715343-H715311	1
Pinion Nose Bearing	MU1308UM	1
Pinion Seal	415013N (29925)	1
Sealer	RTV Silicone	1

DRK-200F

Position	Part Number	Quantity
Differential Right Bearing	47890-47820	1
Differential Left Bearing	47890-47820	1
Pinion Head Bearing	72225C-72487	1
Pinion Tail Bearing	72225C-72487	1
Pinion Nose Bearing	MUB1307UM	1
Idle Gear Bearing	3877-3820	2
Power Divider Front Side Gear Thrust Bearing	W4860	1
Power Divider Front Side Gear Thrust Race	TRA4860	2
Power Divider Case Intermedial Bearing	28985-28921	1
Power Divider Bearing	JLM710949-JLM710910	2
Power Divider Intermedial Disc Rear Bearing	XLS5-1/8AF	1
Output Shaft Bearing	210	1
Input Shaft Seal	415281N (29870)	1
Thrushaft Seal	415013N (29925)	1
Sealer	RTV Silicone	1

DRK-200FA

Position	Part Number	Quantity
Differential Right Bearing	47890-47820	1
Differential Left Bearing	47890-47820	1
Pinion Head Bearing	72225C-72487	1
Pinion Tail Bearing	72225C-72487	1
Pinion Nose Bearing	MUB1307UM	1
Idle Gear Bearing	M802048-M802011	2
Power Divider Front Side Gear Thrust Bearing	W4860	1
Power Divider Front Side Gear Thrust Race	TRA4860	2
Power Divider Case Intermedial Bearing	28985-28921	1
Power Divider Bearing	JLM710949-JLM710910	2
Power Divider Intermedial Disc Rear Bearing	XLS5-1/8AF	1
Output Shaft Bearing	210	1
Input Shaft Seal	415281N (29870)	1
Thrushaft Seal	415013N (29925)	1
Sealer	RTV Silicone	1

Differential Rebuild Kits

DRK-201F

Position	Part Number	Quantity
Differential Right Bearing	56425-56650	1
Differential Left Bearing	56425-56650	1
Pinion Head Bearing	H715343-H715311	1
Pinion Tail Bearing	HM813844-HM813810	1
Pinion Nose Bearing	MU1308UM	1
Idler Gear Bearing	3877-3820	2
Power Divider Front Side Gear Thrust Bearing	W4860	1
Power Divider Front Side Gear Thrust Race	TRA4860	2
Power Divider Case Intermedial Bearing	28985-28921	1
Power Divider Bearing	JLM710949-JLM710910	2
Power Divider Intermedial Disc Rear Bearing	XLS5-1/8AF	1
Output Shaft Bearing	210	1
Input Shaft Seal	415281N (29870)	1
Thrushaft Seal	415013N (29925)	1
Sealer	RTV Silicone	1

DRK-201FA

Position	Part Number	Quantity
Differential Right Bearing	56425-56650	1
Differential Left Bearing	56425-56650	1
Pinion Head Bearing	H715343-H715311	1
Pinion Tail Bearing	HM813844-HM813810	1
Pinion Nose Bearing	MU1308UM	1
Idler Gear Bearing	M802048-M802011	2
Power Divider Front Side Gear Thrust Bearing	W4860	1
Power Divider Front Side Gear Thrust Race	TRA4860	2
Power Divider Case Intermedial Bearing	28985-28921	1
Power Divider Bearing	JLM710949-JLM710910	2
Power Divider Intermedial Disc Rear Bearing	XLS5-1/8AF	1
Output Shaft Bearing	210	1
Input Shaft Seal	415281N (29870)	1
Thrushaft Seal	415013N (29925)	1
Sealer	RTV Silicone	1

DRK-201R

Position	Part Number	Quantity
Differential Right Bearing	56425-56650	1
Differential Left Bearing	56425-56650	1
Pinion Head Bearing	H715343-H715311	1
Pinion Tail Bearing	HM813844-HM813810	1
Pinion Nose Bearing	MU1308UM	1
Pinion Seal	DTHH102	1
Sealer	RTV Silicone	1

DRK-202

Position	Part Number	Quantity
Differential Right Bearing	3984-3925	1
Differential Left Bearing	3984-3925	1
Pinion Head Bearing	HM903249A-HM903210	1
Pinion Tail Bearing	HM903249A-HM903210	1
Pinion Nose Bearing	MUB5205UM	1
Pinion Seal (RA-25 & RA-30)	410686N (23756)	1
Pinion Seal	711553 (23806)	1
Sealer	RTV Silicone	1

DRK-203F

Position	Part Number	Quantity
Differential Right Bearing	598-592A	1
Differential Left Bearing	52387-52618	1
Pinion Head Bearing	78250AC-78551	1
Pinion Tail Bearing	78250AC-78551	1
Pinion Nose Bearing	MUB1309TM	1
Input Shaft Front Bearing	HM813841-HM813810	1
Input Shaft Rear Bearing	JM515649-JM515610	1
Thrushaft Bearing	385A-382A	2
Oil Pump Idler Gear Bearing	5204K	1
Input Shaft Seal	416470N (32385)	1
Input Shaft Seal (GMC)	3143N●	1
Thrushaft Seal	415013N (29925)	1
Sealer	RTV Silicone	1

DRK-204F

Position	Part Number	Quantity
Differential Right Bearing	HM516449C-HM516410	1
Differential Left Bearing	HM516449C-HM516410	1
Pinion Head Bearing	42350-42584	1
Pinion Tail Bearing	42350-42584	1
Pinion Nose Bearing	MR1213EL	1
Cross Shaft Right Bearing	641-632	2
Cross Shaft Left Bearing	MU1221UM	1
Input Shaft Bearing	394A-392	2
Thrushaft Bearing	385A-382A	2
Input Shaft Seal	415137 (32502)	1
Thrushaft Seal	415272N (27565)	1
Sealer	RTV Silicone	1

DRK-204R

Position	Part Number	Quantity
Differential Right Bearing	HM516449C-HM516410	1
Differential Left Bearing	HM516449C-HM516410	1
Pinion Head Bearing	H715345-H715311	1
Pinion Tail Bearing	HM807046-HM807010	1
Cross Shaft Right Bearing	65237-65500	1
Cross Shaft Left Bearing	65237-65500	1
Pinion Seal	476283N (27601)	1
Sealer	RTV Silicone	1

DRK-205

Position	Part Number	Quantity
Differential Right Bearing	47687-47623A	1
Differential Left Bearing	HM516448-HM516414B	1
Pinion Head Bearing	5760-5735	1
Pinion Tail Bearing	557S-552A	1
Cross Shaft Right Bearing	621-612	1
Cross Shaft Left Bearing	H715345-H715313W	1
Pinion Seal	415272N (27565)	1
O-Ring Set	OK-205	1
Sealer	RTV Silicone	1

DRK-206

Position	Part Number	Quantity
Differential Right Bearing	47687-47623A	1
Differential Left Bearing	HM516448-HM516414B	1
Pinion Head Bearing	497-492A	1
Pinion Tail Bearing	576-572	1
Cross Shaft Right Bearing	621-612	1
Cross Shaft Left Bearing	H715345-H715313W	1
Drive Gear Front Bearing	1211	1
Input Shaft Bearing	1213L	1
Input Shaft Seal	415991N (34891)	1
Thrushaft Seal	475322N (27295)	1
O-Ring Set	OK-206	1
Sealer	RTV Silicone	1

Note: CRDPPC92 (11KH5318, 11KH5319), CRDLP92 (11KH5313), CRDPC112 (KH5334) use different Gaskets & O-Rings not packaged in this kit

DRK-207

Position	Part Number	Quantity
Differential Right Bearing	56425-56650	1
Differential Left Bearing	497-493	1
Pinion Head Bearing	72218C-72487	1
Pinion Tail Bearing	HM807049-HM807010	1
Pinion Nose Bearing	MUSB1307UM	1
Input Shaft Bearing	3979-JM511910	1
Output Shaft Front Bearing	29675-29620	1
Output Shaft Rear Bearing	MA1209EL	1
Input Shaft Seal	DT7719	1
Thrushaft Seal	DT7720	1
Sealer	RTV Silicone	1

DRK-208

Position	Part Number	Quantity
Differential Right Bearing	665-653	1
Differential Left Bearing	42381-42584	1
Pinion Head Bearing	72212C-72487	1
Pinion Tail Bearing	72212C-72487	1
Pinion Nose Bearing	MUB1308UM	1
Output Shaft Front Bearing	33275-33472	1
Input Shaft Bearing	JM511946-JM511910	1
Output Shaft Rear Bearing	MA1211EL	1
Pinion Forward Bearing	MU1309CV	1
Input Shaft Seal	415164N (33699)	1
Thrushaft Seal	475012N (29322)	1
Sealer	RTV Silicone	1

DRK-208A

Position	Part Number	Quantity
Differential Right Bearing	665-653	1
Differential Left Bearing	42381-42584	1
Pinion Head Bearing	72212C-72487	1
Pinion Tail Bearing	72212C-72487	1
Pinion Nose Bearing	MUB1308UM	1
Output Shaft Front Bearing	33275-33472	1
Input Shaft Bearing	313	1
Output Shaft Rear Bearing	MA1211EL	1
Pinion Forward Bearing	MU1309CV	1
Input Shaft Seal	415164N (33699)	1
Thrushaft Seal	475012N (29322)	1
Sealer	RTV Silicone	1

DRK-209

Position	Part Number	Quantity
Differential Right Bearing	68462-68712	1
Differential Left Bearing	42346-42584	1
Pinion Head Bearing	72212C-72487	1
Pinion Tail Bearing	72212C-72487	1
Pinion Nose Bearing	MUB1308UM	1
Pinion Forward Bearing	MU1309CV	1
Input Shaft Bearing	313	1
Output Shaft Front Bearing	33275-33472	1
Output Shaft Rear Bearing	MA1211EL	1
Input Shaft Seal	415164N (33699)	1
Thrushaft Seal	475012N (29322)	1
Sealer	RTV Silicone	1

DRK-209A

Position	Part Number	Quantity
Differential Right Bearing	68450-68712	1
Differential Left Bearing	42346-42584	1
Pinion Head Bearing	72212C-72487	1
Pinion Tail Bearing	72212C-72487	1
Pinion Nose Bearing	MUB1308UM	1
Pinion Forward Bearing	MU1309CV	1
Input Shaft Bearing	313	1
Output Shaft Front Bearing	33275-33472	1
Output Shaft Rear Bearing	MA1211EL	1
Input Shaft Seal	415164N (33699)	1
Thrushaft Seal	475012N (29322)	1
Sealer	RTV Silicone	1

DRK-210

Position	Part Number	Quantity
Differential Right Bearing	68462-68712	1
Differential Left Bearing	42346-42584	1
Pinion Head Bearing	72212C-72487	1
Pinion Tail Bearing	72212C-72487	1
Pinion Nose Bearing	MUB1308UM	1
Pinion Forward Bearing	MU1309CV	1
Input Shaft Bearing	JM511946-JM511910	1
Output Shaft Front Bearing	33275-33472	1
Output Shaft Rear Bearing	MA1211EL	1
Input Shaft Seal	415894 (33712)	1
Pinion Seal	475012N (29322)	1
Sealer	RTV Silicone	1

DRK-211F

Position	Part Number	Quantity
Differential Right Bearing	68462-68712	1
Differential Left Bearing	42381-42584	1
Pinion Head Bearing	72212C-72487	1
Pinion Tail Bearing	72212C-72487	1
Pinion Nose Bearing	MUB1308UM	1
Input Shaft Bearing	JM511946-JM511910	1
Pinion Forward Bearing	MU1309CV	1
Output Shaft Front Bearing	33275-33472	1
Output Shaft Rear Bearing	MA1211EL	1
Input Shaft Seal	415164N (33699)	1
Thrushaft Seal	475012N (29322)	1
Sealer	RTV Silicone	1

DRK-211FA

Position	Part Number	Quantity
Differential Right Bearing	68450-68712	1
Differential Left Bearing	42381-42584	1
Pinion Head Bearing	72212C-72487	1
Pinion Tail Bearing	72212C-72487	1
Pinion Nose Bearing	MUB1308UM	1
Input Shaft Bearing	JM511946-JM511910	1
Pinion Forward Bearing	MU1309CV	1
Output Shaft Front Bearing	33275-33472	1
Output Shaft Rear Bearing	MA1211EL	1
Input Shaft Seal	415164N (33699)	1
Thrushaft Seal	475012N (29322)	1
Sealer	RTV Silicone	1

DRK-212F

Position	Part Number	Quantity
Differential Right Bearing	766-753A	1
Differential Left Bearing	766-752B	1
Pinion Head Bearing	740-742	1
Pinion Tail Bearing	661-653	1
Cross Shaft Left Bearing	H414235-H414210	1
Cross Shaft Left Bearing	6580-6535W	1
Power Divider Bearing	7213-BG	2
Output Shaft Bearing	1212	1
Input Shaft Seal	415991N (34891)	1
Thrushaft Seal	5578 (31173)	1
Power Divider O-Ring	OR-247	1
Power Divider O-Ring	OR-272	1
Gasket Set	BBK7124-300	1
Sealer	RTV Silicone	1

DRK-212R

Position	Part Number	Quantity
Differential Right Bearing	766-753A	1
Differential Left Bearing	766-752B	1
Pinion Head Bearing	6466-6420	1
Pinion Tail Bearing	65225-65500	1
Cross Shaft Right Bearing	H414235-H414210	1
Cross Shaft Left Bearing	6580-6535W	1
Pinion Seal	5578 (31173)	1
Gasket Set	BBK7143-300	1
Sealer	RTV Silicone	1

DRK-213

Position	Part Number	Quantity
Differential Right Bearing	495-493	1
Differential Left Bearing	42381-42584	1
Pinion Head Bearing	55200C-55437	1
Pinion Tail Bearing	55200C-55437	1
Pinion Nose Bearing	MUSB1307UM	1
Pinion Seal	455088V (30098)	1
Sealer	RTV Silicone	1

DRK-214

Position	Part Number	Quantity
Differential Right Bearing	JM716649-JM716610	1
Differential Left Bearing	JM822049-JM822010	1
Pinion Head Bearing	72225C-72487 [■]	1
Pinion Tail Bearing	55200C-55437	1
Pinion Nose Bearing	MUB1308UM	1
Pinion Seal	455088V (30098)	1
Sealer	RTV Silicone	1

[■] For I.H. use 55200C-55437

DRK-215

Position	Part Number	Quantity
Differential Right Bearing	JM716649-JM716610	1
Differential Left Bearing	JM716649-JM716610	1
Pinion Head Bearing	55206C-55437	1
Pinion Tail Bearing	M804049-M804010	1
Pinion Nose Bearing	RU1570UM	1
Pinion Seal	415082N (25102)	1
Sealer	RTV Silicone	1

DRK-216

Position	Part Number	Quantity
Differential Right Bearing	JLM714149-JLM714110	1
Differential Left Bearing	42381-42584	1
Pinion Head Bearing	55200C-55437	1
Pinion Tail Bearing	M804049-M804010	1
Pinion Nose Bearing	RU1570UM	1
Pinion Seal	415082N (25102)	1
Sealer	RTV Silicone	1

DRK-217F

Position	Part Number	Quantity
Differential Right Bearing	JM716649-JM716610	1
Differential Left Bearing	JM716649-JM716610	1
Pinion Head Bearing	H715334-H715311	1
Pinion Tail Bearing	72212C-72487	1
Input Shaft Front Bearing	JM511946-JM511910	1
Input Shaft Rear Bearing	JLM710949-JLM710910	1
Output Shaft Bearing	LM104949-JLM104910	2
Input Shaft Seal	DTP2590	1
Thrushaft Seal	DTP2590	1
O-Ring	5X1034	2
Sealer	RTV Silicone	1

DRK-217R

Position	Part Number	Quantity
Differential Right Bearing	JM716649-JM716610	1
Differential Left Bearing	JM716649-JM716610	1
Pinion Head Bearing	72212C-72487	1
Pinion Tail Bearing	55206C-55437	1
Pinion Nose Bearing	RU1570UM	1
Pinion Seal	DTN2588	1
Sealer	RTV Silicone	1

DRK-218

Position	Part Number	Quantity
Differential Right Bearing	34306-34478	1
Differential Left Bearing	3994-JM511910	1
Pinion Head Bearing	55200C-55437	1
Pinion Tail Bearing	HM804846-HM804810	1
Pinion Nose Bearing	MUB1308TDM	1
Pinion Seal	415082N (25102)	1
Sealer	RTV Silicone	1

DRK-219R

Position	Part Number	Quantity
Differential Right Bearing	42381-42584	1
Differential Left Bearing	68462-68712 [■]	1
Pinion Head Bearing	78215C-78551	1
Pinion Tail Bearing	72212C-72487	1
Pinion Nose Bearing	MUB1308UM	1
Pinion Seal	712937 (29471)	1
Sealer	RTV Silicone	1

■ Use 68450-68712 w/ Support Case 27950

DRK-220F

Position	Part Number	Quantity
Differential Right Bearing	68450-68712	1
Differential Left Bearing	42381-42584	1
Pinion Head Bearing	72212C-72487	1
Pinion Tail Bearing	72212C-72487	1
Pinion Nose Bearing	MUB1308UM	1
Pinion Forward Bearing	MU1309CV	1
Input Shaft Front Bearing	JM511946-JM511910	1
Input Shaft Rear Bearing	JH211749-JH211710	1
Output Shaft Bearing	MA1211EL	1
Input Shaft Seal	415164N (33699)	1
Thrushaft Seal	475012N (29322)	1
Sealer	RTV Silicone	1

DRK-220FA

Position	Part Number	Quantity
Differential Right Bearing	68462-68712	1
Differential Left Bearing	42381-42584	1
Pinion Head Bearing	72212C-72487	1
Pinion Tail Bearing	72212C-72487	1
Pinion Nose Bearing	MUB1308UM	1
Pinion Forward Bearing	MU1309CV	1
Input Shaft Front Bearing	JM511946-JM511910	1
Input Shaft Rear Bearing	JH211749-JH211710	1
Output Shaft Bearing	MA1211EL	1
Input Shaft Seal	415164N (33699)	1
Thrushaft Seal	475012N (29322)	1
Sealer	RTV Silicone	1

DRK-221

Position	Part Number	Quantity
Differential Right Bearing	3994-3920	1
Differential Left Bearing	497-493	1
Pinion Head Bearing	72200C-72487	1
Pinion Tail Bearing	HM903249-HM903210	1
Pinion Nose Bearing	RUB1570UM	1
Pinion Seal	9773 (26373)	1
Sealer	RTV Silicone	1

DRK-222F

Position	Part Number	Quantity
Differential Right Bearing	567-563	1
Differential Left Bearing	497-493	1
Pinion Head Bearing	72218C-72487	1
Pinion Tail Bearing	HM807049-HM807010	1
Pinion Nose Bearing	MUSB7307UM	1
Input Shaft Bearing	3979-JM511910	1
Output Shaft Front Bearing	29675-29620	1
Output Shaft Rear Bearing	MA1209EL	1
Input Shaft Seal	DT7719	1
Thrushaft Seal	DT7720	1
Sealer	RTV Silicone	1

DRK-222R

Position	Part Number	Quantity
Differential Right Bearing	497-493	1
Differential Left Bearing	567-563	1
Pinion Head Bearing	72200C-72487	1
Pinion Tail Bearing	55200C-55437	1
Pinion Nose Bearing	MUSB7307UM	1
Pinion Seal	DT7721	1
Sealer	RTV Silicone	1

DRK-223F

Position	Part Number	Quantity
Differential Right Bearing	495-493	1
Differential Left Bearing	495-493	1
Pinion Head Bearing	72225C-72487	1
Pinion Tail Bearing	72225C-72487	1
Pinion Nose Bearing	RU1570UM	1
Input Shaft Bearing	HM807049-HM807010	1
Input Gear Bearing	J3624	1
Inter Axle Bearing	JLM710949-JLM710910	1
Output Shaft Bearing	A1400	1
Input Shaft Seal	415013N (29951)	1
Thrushaft Seal	4624V (29925)	1
O-Ring	OR-230	1
Sealer	RTV Silicone	1

DRK-223R

Position	Part Number	Quantity
Differential Right Bearing	495-493	1
Differential Left Bearing	495-493	1
Pinion Head Bearing	72225C-72487	1
Pinion Tail Bearing	72225C-72487	1
Pinion Nose Bearing	RU1570UM	1
Pinion Seal	DTHHH102	1
Sealer	RTV Silicone	1

DRK-224

Position	Part Number	Quantity
Differential Right Bearing	32020X	1
Differential Left Bearing	32020X	1
Pinion Head Bearing	72212C-72487	1
Pinion Tail Bearing	55206C-55437	1
Pinion Nose Bearing	RU1570UM	1
Pinion Seal	DTN2588	1
Sealer	RTV Silicone	1

DRK-225

Position	Part Number	Quantity
Differential Right Bearing	JM716649-JM716610	1
Differential Left Bearing	HM804846-HM804810	1
Pinion Head Bearing	52400-52618	1
Pinion Tail Bearing	55200C-55437	1
Pinion Nose Bearing	MUB1307UBM	1
Pinion Seal	415082N (25102)	1
Sealer	RTV Silicone	1

DRK-300

Position	Part Number	Quantity
Differential Bearing	25590-25520	2
Pinion Head Bearing	HM803149-HM803110	1
Pinion Tail Bearing	HM89443-HM89410	1
Pinion Seal	7216 (18912)	1
Pinion Nut	PN8-F	1
Gear Marking Compound & Brush	GMC1-BR1	1
Thread Locker	TL1	1
Sealer	RTV Silicone	1

DRK-300MK

Position	Part Number	Quantity
Differential Bearing	25590-25520	2
Pinion Head Bearing	HM803149-HM803110	1
Pinion Tail Bearing	HM89443-HM89410	1
Pinion Seal	7216 (18912)	1
Pinion Nut	PN8-F	1
Gear Marking Compound & Brush	GMC1-BR1	1
Thread Locker	TL1	1
Sealer	RTV Silicone	1
Pinion Adjusting Shims	SK2	1
Pinion Shims	SK1	1
Ring Gear Bolts	RGB1	12

DRK-301

Position	Part Number	Quantity
Differential Bearing	LM104949-LM104912	2
Pinion Head Bearing	M804049-M804010	1
Pinion Tail Bearing	M88048-M88010	1
Pinion Seal	5126 (18708)	1
Crush Sleeve	CS301	1
Pinion Nut	PN8-F	1
Gear Marking Compound & Brush	GMC1-BR1	1
Thread Locker	TL1	1
Sealer	RTV Silicone	1

Differential Rebuild Kits

DRK-301MK

Position	Part Number	Quantity
Differential Bearing	LM104949-LM104912	2
Pinion Head Bearing	M804049-M804010	1
Pinion Tail Bearing	M88048-M88010	1
Pinion Seal	5126 (18708)	1
Crush Sleeve	CS301	1
Pinion Nut	PN8-F	1
Gear Marking Compound & Brush	GMC1-BR1	1
Thread Locker	TL1	1
Sealer	RTV Silicone	1
Pinion Shims	SK3	1
Ring Gear Bolts	RGB1	12

DRK-302

Position	Part Number	Quantity
Differential Bearing	LM501349-LM501310	2
Pinion Head Bearing	HM88649-HM88610	1
Pinion Tail Bearing	M86649-M86610	1
Pinion Seal	8516N (16805)	1
Crush Sleeve	CS310	1
Pinion Nut	PN3	1
Gear Marking Compound & Brush	GMC1-BR1	1
Thread Locker	TL1	1
Sealer	RTV Silicone	1

DRK-302MK

Position	Part Number	Quantity
Differential Bearing	LM501349-LM501310	2
Pinion Head Bearing	HM88649-HM88610	1
Pinion Tail Bearing	M86649-M86610	1
Pinion Seal	8516N (16805)	1
Crush Sleeve	CS310	1
Pinion Nut	PN3	1
Gear Marking Compound & Brush	GMC1-BR1	1
Thread Locker	TL1	1
Sealer	RTV Silicone	1
Pinion Shims	SK12	1
Ring Gear Bolts	RGB1	8

DRK-303

Position	Part Number	Quantity
Differential Bearing	LM603049-LM603012	2
Pinion Head Bearing	M802048-M802011	1
Pinion Tail Bearing	M86649-M86610	1
Pinion Seal	8516N (16805)	1
Pinion Seal	3638	1
Crush Sleeve	CS310	1
Pinion Nut	PN3	1
Gear Marking Compound & Brush	GMC1-BR1	1
Thread Locker	TL1	1
Sealer	RTV Silicone	1

DRK-303MK

Position	Part Number	Quantity
Differential Bearing	LM603049-LM603012	2
Pinion Head Bearing	M802048-M802011	1
Pinion Tail Bearing	M86649-M86610	1
Pinion Seal	8516N (16805)	1
Pinion Seal	3638	1
Crush Sleeve	CS310	1
Pinion Nut	PN3	1
Gear Marking Compound & Brush	GMC1-BR1	1
Thread Locker	TL1	1
Sealer	RTV Silicone	1
Pinion Shims	SK4	1
Ring Gear Bolts	RGB1	10

DRK-303A

Position	Part Number	Quantity
Differential Bearing	LM603049-LM603012	2
Pinion Head Bearing	M802048-M802011	1
Pinion Tail Bearing	M86649-M86610	1
Pinion Seal	5126 (18708)	1
Crush Sleeve	CS310	1
Pinion Nut	PN3	1
Gear Marking Compound & Brush	GMC1-BR1	1
Thread Locker	TL1	1
Sealer	RTV Silicone	1

DRK-303AMK

Position	Part Number	Quantity
Differential Bearing	LM603049-LM603012	2
Pinion Head Bearing	M802048-M802011	1
Pinion Tail Bearing	M86649-M86610	1
Pinion Seal	5126 (18708)	1
Crush Sleeve	CS310	1
Pinion Nut	PN3	1
Gear Marking Compound & Brush	GMC1-BR1	1
Thread Locker	TL1	1
Sealer	RTV Silicone	1
Pinion Shims	SK4	1
Ring Gear Bolts	RGB1	10

DRK-303B

Position	Part Number	Quantity
Differential Bearing	LM603049-LM603012	2
Pinion Head Bearing	M802048-M802011	1
Pinion Tail Bearing	M86649-M86610	1
Pinion Seal	52070339AA	1
Crush Sleeve	CS310	1
Pinion Nut	PN3	1
Gear Marking Compound & Brush	GMC1-BR1	1
Thread Locker	TL1	1
Sealer	RTV Silicone	1

DRK-303BMK

Position	Part Number	Quantity
Differential Bearing	LM603049-LM603012	2
Pinion Head Bearing	M802048-M802011	1
Pinion Tail Bearing	M86649-M86610	1
Pinion Seal	52070339AA	1
Crush Sleeve	CS310	1
Pinion Nut	PN3	1
Gear Marking Compound & Brush	GMC1-BR1	1
Thread Locker	TL1	1
Sealer	RTV Silicone	1
Pinion Shims	SK4	1
Ring Gear Bolts	RGB1	10

DRK-304

Position	Part Number	Quantity
Differential Bearing	JLM704649-JLM704610	2
Pinion Head Bearing	M804049-M804010	1
Pinion Tail Bearing	M88048-M88010	1
Pinion Seal	5126 (18708)	1
Crush Sleeve	CS303	1
Pinion Nut	PN3	1
Gear Marking Compound & Brush	GMC1-BR1	1
Thread Locker	TL1	1
Sealer	RTV Silicone	1

DRK-304MK

Position	Part Number	Quantity
Differential Bearing	JLM704649-JLM704610	2
Pinion Head Bearing	M804049-M804010	1
Pinion Tail Bearing	M88048-M88010	1
Pinion Seal	5126 (18708)	1
Crush Sleeve	CS303	1
Pinion Nut	PN3	1
Gear Marking Compound & Brush	GMC1-BR1	1
Thread Locker	TL1	1
Sealer	RTV Silicone	1
Pinion Shims	SK3	1
Ring Gear Bolts	RGB2	12

DRK-304A

Position	Part Number	Quantity
Differential Bearing	JLM704649-JLM704610	2
Pinion Head Bearing	NP524102-NP912904	1
Pinion Tail Bearing	M88048-M88010	1
Pinion Seal	52070340AA	1
Crush Sleeve	CS303	1
Pinion Nut	PN3	1
Gear Marking Compound & Brush	GMC1-BR1	1
Thread Locker	TL1	1
Sealer	RTV Silicone	1

DRK-304AMK

Position	Part Number	Quantity
Differential Bearing	JLM704649-JLM704610	2
Pinion Head Bearing	NP524102-NP912904	1
Pinion Tail Bearing	M88048-M88010	1
Pinion Seal	52070340AA	1
Crush Sleeve	CS303	1
Pinion Nut	PN3	1
Gear Marking Compound & Brush	GMC1-BR1	1
Thread Locker	TL1	1
Sealer	RTV Silicone	1
Pinion Shims	SK3	1
Ring Gear Bolts	RGB2	12

DRK-305

Position	Part Number	Quantity
Differential Bearing	LM102949-LM102911	2
Pinion Head Bearing	NP722065-NP013743	1
Pinion Tail Bearing	M88048-M88010	1
Pinion Seal	52069700	1
Crush Sleeve	CS303	1
Pinion Nut	PN3	1
Gear Marking Compound & Brush	GMC1-BR1	1
Thread Locker	TL1	1
Sealer	RTV Silicone	1

DRK-305MK[▲]

Position	Part Number	Quantity
Differential Bearing	LM102949-LM102911	2
Pinion Head Bearing	NP722065-NP013743	1
Pinion Tail Bearing	M88048-M88010	1
Pinion Seal	52069700	1
Crush Sleeve	CS303	1
Pinion Nut	PN3	1
Gear Marking Compound & Brush	GMC1-BR1	1
Thread Locker	TL1	1
Sealer	RTV Silicone	1
Pinion Shims	SK20	1
Differential Shims	SK11 ²	1
Ring Gear Bolts	RGB1	10

DRK-305A

Position	Part Number	Quantity
Differential Bearing	LM102949-LM102911	2
Pinion Head Bearing	NP682887-NP307044	1
Pinion Tail Bearing	NP270758-NP378971	1
Pinion Seal	52070457AA	1
Crush Sleeve	CS303	1
Pinion Nut	PN3	1
Gear Marking Compound & Brush	GMC1-BR1	1
Thread Locker	TL1	1
Sealer	RTV Silicone	1

DRK-305AMK[▲]

Position	Part Number	Quantity
Differential Bearing	LM102949-LM102911	2
Pinion Head Bearing	NP682887-NP307044	1
Pinion Tail Bearing	NP270758-NP378971	1
Pinion Seal	52070457AA	1
Crush Sleeve	CS303	1
Pinion Nut	PN3	1
Gear Marking Compound & Brush	GMC1-BR1	1
Thread Locker	TL1	1
Sealer	RTV Silicone	1
Pinion Shims	SK20	1
Differential Shims	SK11 ²	1
Ring Gear Bolts	RGB1	10

DRK-306

Position	Part Number	Quantity
Differential Bearing	387AS-382A	2
Pinion Head Bearing	NP598002-NP284552	1
Pinion Tail Bearing	M802048-M802011	1
Pinion Seal	710508	1
Crush Sleeve	CS347	1
Pinion Nut	PN17	1
Gear Marking Compound & Brush	GMC1-BR1	1
Thread Locker	TL1	1
Sealer	RTV Silicone	1

DRK-306MK

Position	Part Number	Quantity
Differential Bearing	387AS-382A	2
Pinion Head Bearing	NP598002-NP284552	1
Pinion Tail Bearing	M802048-M802011	1
Pinion Seal	710508	1
Crush Sleeve	CS347	1
Pinion Nut	PN17	1
Gear Marking Compound & Brush	GMC1-BR1	1
Thread Locker	TL1	1
Sealer	RTV Silicone	1
Pinion Shims	SK14	1
Ring Gear Bolts	RGB21	12

DRK-310

Position	Part Number	Quantity
Differential Bearing	LM501349-LM501310	2
Pinion Head Bearing	M86649-M86610	1
Pinion Tail Bearing	M86649-M86610	1
Pinion Nose Bearing	R1558TAV	1
Pinion Seal	8181-NA (18100)	1
Crush Sleeve	CS310	1
Pinion Nut	PN2	1
Gear Marking Compound & Brush	GMC1-BR1	1
Thread Locker	TL1	1
Sealer	RTV Silicone	1
O-ring	OR-241	1

DRK-310MK

Position	Part Number	Quantity
Differential Bearing	LM501349-LM501310	2
Pinion Head Bearing	M86649-M86610	1
Pinion Tail Bearing	M86649-M86610	1
Pinion Nose Bearing	R1558TAV	1
Pinion Seal	8181-NA (18100)	1
Crush Sleeve	CS310	1
Pinion Nut	PN2	1
Gear Marking Compound & Brush	GMC1-BR1	1
Thread Locker	TL1	1
Sealer	RTV Silicone	1
Pinion Shims	SK6	1
Ring Gear Bolts	RGB3	10
O-ring	OR-241	1

DRK-311

Position	Part Number	Quantity
Differential Bearing	LM603049-LM603012	2
Pinion Head Bearing	M802048-M802011	1
Pinion Tail Bearing	M88048-M88010	1
Pinion Seal	3604 (18190)	1
Crush Sleeve	CS311	1
Pinion Nut	PN2	1
Gear Marking Compound & Brush	GMC1-BR1	1
Thread Locker	TL1	1
Sealer	RTV Silicone	1

DRK-311MK[▲]

Position	Part Number	Quantity
Differential Bearing	LM603049-LM603012	2
Pinion Head Bearing	M802048-M802011	1
Pinion Tail Bearing	M88048-M88010	1
Pinion Seal	3604 (18190)	1
Crush Sleeve	CS311	1
Pinion Nut	PN2	1
Gear Marking Compound & Brush	GMC1-BR1	1
Thread Locker	TL1	1
Sealer	RTV Silicone	1
Pinion Shims	SK4	1
Differential Shims	SK7 ¹	1
Ring Gear Bolts	RGB3	10

DRK-311A

Position	Part Number	Quantity
Differential Bearing	LM603049-LM603019	2
Pinion Head Bearing	M802048-M802011	1
Pinion Tail Bearing	M88048-M88010	1
Pinion Seal	18136	1
Crush Sleeve	CS311	1
Pinion Nut	PN2	1
Gear Marking Compound & Brush	GMC1-BR1	1
Thread Locker	TL1	1
Sealer	RTV Silicone	1
Half Shaft Seal	100537V	2
Half Shaft Needle	FC66998	2

DRK-311AMK[▲]

Position	Part Number	Quantity
Differential Bearing	LM603049-LM603019	2
Pinion Head Bearing	M802048-M802011	1
Pinion Tail Bearing	M88048-M88010	1
Pinion Seal	18136	1
Crush Sleeve	CS311	1
Pinion Nut	PN2	1
Gear Marking Compound & Brush	GMC1-BR1	1
Thread Locker	TL1	1
Sealer	RTV Silicone	1
Pinion Shims	SK4	1
Differential Shims	SK7 ¹	1
Ring Gear Bolts	RGB3	10
Half Shaft Seal	100537V	2
Half Shaft Needle	FC66998	2

DRK-311F

Position	Part Number	Quantity
Differential Bearing	LM603049-LM603012	2
Pinion Head Bearing	M802048-M802011	1
Pinion Tail Bearing	M88048-M88010	1
Pinion Seal	3604 (18190)	1
Crush Sleeve	CS311	1
Pinion Nut	PN2	1
Gear Marking Compound & Brush	GMC1-BR1	1
Thread Locker	TL1	1
Sealer	RTV Silicone	1
Half Shaft Needle	FC66998	2
Half Shaft Needle	HK1816B	1
Half Shaft Needle	HK4012	1

DRK-311FMK[▲]

Position	Part Number	Quantity
Differential Bearing	LM603049-LM603012	2
Pinion Head Bearing	M802048-M802011	1
Pinion Tail Bearing	M88048-M88010	1
Pinion Seal	3604 (18190)	1
Crush Sleeve	CS311	1
Pinion Nut	PN2	1
Gear Marking Compound & Brush	GMC1-BR1	1
Thread Locker	TL1	1
Sealer	RTV Silicone	1
Pinion Shims	SK4	1
Differential Shims	SK7 ¹	1
Ring Gear Bolts	RGB3	10
Half Shaft Needle	FC66998	2
Half Shaft Needle	HK1816B	1
Half Shaft Needle	HK4012	1

DRK-311J

Position	Part Number	Quantity
Differential Bearing	LM603049-LM603012	2
Pinion Head Bearing	M802048-M802011	1
Pinion Tail Bearing	M88048-M88010	1
Pinion Seal	470331N (18444)	1
Crush Sleeve	CS311	1
Pinion Nut	PN6	1
Gear Marking Compound & Brush	GMC1-BR1	1
Thread Locker	TL1	1
Sealer	RTV Silicone	1

DRK-311JMK[▲]

Position	Part Number	Quantity
Differential Bearing	LM603049-LM603012	2
Pinion Head Bearing	M802048-M802011	1
Pinion Tail Bearing	M88048-M88010	1
Pinion Seal	470331N (18444)	1
Crush Sleeve	CS311	1
Pinion Nut	PN6	1
Gear Marking Compound & Brush	GMC1-BR1	1
Thread Locker	TL1	1
Sealer	RTV Silicone	1
Pinion Shims	SK4	1
Differential Shims	SK7 ¹	1
Ring Gear Bolts	RGB3	8

DRK-312

Position	Part Number	Quantity
Differential Bearing	LM501349-LM501310	2
Pinion Head Bearing	M88048-M88010	1
Pinion Tail Bearing	M88048-M88010	1
Pinion Nose Bearing	R1535TAV	1
Pinion Seal	7044NA (18833)	1
Crush Sleeve	CS311	1
Pinion Nut	PN2	1
Gear Marking Compound & Brush	GMC1-BR1	1
Thread Locker	TL1	1
Sealer	RTV Silicone	1
O-ring	OR-248	1

DRK-312MK

Position	Part Number	Quantity
Differential Bearing	LM501349-LM501310	2
Pinion Head Bearing	M88048-M88010	1
Pinion Tail Bearing	M88048-M88010	1
Pinion Nose Bearing	R1535TAV	1
Pinion Seal	7044NA (18833)	1
Crush Sleeve	CS311	1
Pinion Nut	PN2	1
Gear Marking Compound & Brush	GMC1-BR1	1
Thread Locker	TL1	1
Sealer	RTV Silicone	1
Pinion Shims	SK8	1
Ring Gear Bolts	RGB4	10
O-ring	OR-248	1
Needle Bearing Clip	R1535-CLIP	1

DRK-313

Position	Part Number	Quantity
Differential Bearing	LM102949-LM102910	2
Pinion Head Bearing	M88048-M88010	1
Pinion Tail Bearing	M88048-M88010	1
Pinion Nose Bearing	R1535TAV	1
Pinion Seal (1983 and Prior)	7044NA (18833)	1
Pinion Seal (1984 and Later)	3604 (18190)	1
Crush Sleeve	CS311	1
Pinion Nut	PN2	1
Gear Marking Compound & Brush	GMC1-BR1	1
Thread Locker	TL1	1
Sealer	RTV Silicone	1
O-ring	OR248	1

DRK-313MK

Position	Part Number	Quantity
Differential Bearing	LM102949-LM102910	2
Pinion Head Bearing	M88048-M88010	1
Pinion Tail Bearing	M88048-M88010	1
Pinion Nose Bearing	R1535TAV	1
Pinion Seal (1983 and Prior)	7044NA (18833)	1
Pinion Seal (1984 and Later)	3604 (18190)	1
Crush Sleeve	CS311	1
Pinion Nut	PN2	1
Gear Marking Compound & Brush	GMC1-BR1	1
Thread Locker	TL1	1
Sealer	RTV Silicone	1
Pinion Shims	SK8	1
Ring Gear Bolts	RGB4-A	10
O-ring	OR248	1

DRK-313A

Position	Part Number	Quantity
Differential Bearing	LM603049-LM603011	2
Pinion Head Bearing	HM89443-HM89410	1
Pinion Tail Bearing	M88048-M88010	1
Pinion Nose Bearing	R1535TAV	1
Pinion Seal	7044NA (18833)	1
Crush Sleeve	04-0011-2	1
Pinion Nut	PN2	1
Gear Marking Compound & Brush	GMC1-BR1	1
Thread Locker	TL1	1
Sealer	RTV Silicone	1
O-ring	OR248	1
Pinion Nose Bearing Retainer	R1535-CLIP	1

DRK-313AMK

Position	Part Number	Quantity
Differential Bearing	LM603049-LM603011	2
Pinion Head Bearing	HM89443-HM89410	1
Pinion Tail Bearing	M88048-M88010	1
Pinion Nose Bearing	R1535TAV	1
Pinion Seal	7044NA (18833)	1
Crush Sleeve	04-0011-2	1
Pinion Nut	PN2	1
Gear Marking Compound & Brush	GMC1-BR1	1
Thread Locker	TL1	1
Sealer	RTV Silicone	1
Pinion Shims	38-0013-1	1
Differential Shims	SK8	1
Ring Gear Bolts	RGB4	10
O-ring	OR248	1
Pinion Nose Bearing Retainer	R1535-CLIP	1

Differential Rebuild Kits

DRK-313B

Position	Part Number	Quantity
Differential Bearing	LM104949-LM104911	2
Pinion Head Bearing	HM89443-HM89410	1
Pinion Tail Bearing	M88048-M88010	1
Pinion Nose Bearing	R1535TAV	1
Pinion Seal	7044NA (18833)	1
Crush Sleeve	04-0011-2	1
Pinion Nut	PN2	1
Gear Marking Compound & Brush	GMC1-BR1	1
Thread Locker	TL1	1
Sealer	GR-F900	1
O-ring	OR248	1
Pinion Nose Bearing Retainer	R1535-CLIP	1

DRK-313BMK

Position	Part Number	Quantity
Differential Bearing	LM104949-LM104911	2
Pinion Head Bearing	HM89443-HM89410	1
Pinion Tail Bearing	M88048-M88010	1
Pinion Nose Bearing	R1535TAV	1
Pinion Seal	7044NA (18833)	1
Crush Sleeve	04-0011-2	1
Pinion Nut	PN2	1
Gear Marking Compound & Brush	GMC1-BR1	1
Thread Locker	TL1	1
Sealer	GR-F900	1
Pinion Shims	SK8	1
Ring Gear Bolts	RGB4	10
O-ring	OR248	1
Pinion Nose Bearing Retainer	R1535-CLIP	1

DRK-313C

Position	Part Number	Quantity
Differential Bearing	LM603049-LM603011	2
Pinion Head Bearing	M88048-M88010	1
Pinion Tail Bearing	M88048-M88010	1
Pinion Nose Bearing	R1535TAV	1
Pinion Seal	7044NA (18833)	1
Crush Sleeve	CS311	1
Pinion Nut	PN2	1
Gear Marking Compound & Brush	GMC1-BR1	1
Thread Locker	TL1	1
Sealer	RTV Silicone	1
O-ring	OR248	1
Pinion Nose Bearing Retainer	R1535-CLIP	1

DRK-313CMK

Position	Part Number	Quantity
Differential Bearing	LM603049-LM603011	2
Pinion Head Bearing	M88048-M88010	1
Pinion Tail Bearing	M88048-M88010	1
Pinion Nose Bearing	R1535TAV	1
Pinion Seal	7044NA (18833)	1
Crush Sleeve	CS311	1
Pinion Nut	PN2	1
Gear Marking Compound & Brush	GMC1-BR1	1
Thread Locker	TL1	1
Sealer	RTV Silicone	1
Pinion Shims	SK8	1
Ring Gear Bolts	RGB4	10
O-ring	OR248	1
Pinion Nose Bearing Retainer	R1535-CLIP	1

DRK-313D

Position	Part Number	Quantity
Differential Bearing	LM104949-LM104911	2
Pinion Head Bearing	HM89444-HM89410	1
Pinion Tail Bearing	M88048-M88010	1
Pinion Nose Bearing	R1535TAV	1
Pinion Seal	7044NA (18833)	1
Solid Spacer	04-0011-2	1
Spacer Shims	38-0013-1	1
Pinion Nut	PN2	1
Gear Marking Compound & Brush	GMC1-BR1	1
Thread Locker	TL1	1
Sealer	RTV Silicone	1
O-ring	OR248	1
Pinion Nose Bearing Retainer	R1535-CLIP	1

DRK-313DMK

Position	Part Number	Quantity
Differential Bearing	LM104949-LM104911	2
Pinion Head Bearing	HM89444-HM89410	1
Pinion Tail Bearing	M88048-M88010	1
Pinion Nose Bearing	R1535TAV	1
Pinion Seal	7044NA (18833)	1
Solid Spacer	04-0011-2	1
Spacer Shims	38-0013-1	1
Pinion Nut	PN2	1
Gear Marking Compound & Brush	GMC1-BR1	1
Thread Locker	TL1	1
Sealer	RTV Silicone	1
O-ring	OR248	1
Pinion Nose Bearing Retainer	R1535-CLIP	1
Pinion Shims	SK8	1
Ring Gear Bolts	RGB4	10

DRK-314

Position	Part Number	Quantity
Differential Bearing	469-453-X	2
Pinion Head Bearing	HM807044-HM807010	1
Pinion Tail Bearing	HM89443-HM89411	1
Pinion Seal	4278 (18024)	1
Crush Sleeve	CS311	1
Pinion Nut	PN6	1
Gear Marking Compound & Brush	GMC1-BR1	1
Thread Locker	TL1	1
Sealer	RTV Silicone	1

DRK-314MK

Position	Part Number	Quantity
Differential Bearing	469-453-X	2
Pinion Head Bearing	HM807044-HM807010	1
Pinion Tail Bearing	HM89443-HM89411	1
Pinion Seal	4278 (18024)	1
Crush Sleeve	CS311	1
Pinion Nut	PN6	1
Gear Marking Compound & Brush	GMC1-BR1	1
Thread Locker	TL1	1
Sealer	RTV Silicone	1
Pinion Shims	SK9	1
Differential Shims	SK10	1
Ring Gear Bolts	RGB6	12

DRK-315

Position	Part Number	Quantity
Differential Bearing	LM501349-LM501314	2
Pinion Head Bearing	M802048-M802011	1
Pinion Tail Bearing	M88048-M88010	1
Pinion Seal	3604 (18190)	1
Crush Sleeve	CS311	1
Pinion Nut	PN2	1
Gear Marking Compound & Brush	GMC1-BR1	1
Thread Locker	TL1	1
Sealer	RTV Silicone	1

DRK-315MK[▲]

Position	Part Number	Quantity
Differential Bearing	LM501349-LM501314	2
Pinion Head Bearing	M802048-M802011	1
Pinion Tail Bearing	M88048-M88010	1
Pinion Seal	3604 (18190)	1
Crush Sleeve	CS311	1
Pinion Nut	PN2	1
Gear Marking Compound & Brush	GMC1-BR1	1
Thread Locker	TL1	1
Sealer	RTV Silicone	1
Pinion Shims	SK4	1
Differential Shims	SK11 ²	1
Ring Gear Bolts	RGB3	10

DRK-316

Position	Part Number	Quantity
Differential Bearing	NP343847-NP372019	2
Pinion Head Bearing	NP576375-NP434567	1
Pinion Tail Bearing	M88048-M88010	1
Pinion Seal	3604 (18190)	1
Crush Sleeve	CS311	1
Pinion Nut	PN13	1
Gear Marking Compound & Brush	GMC1-BR1	1
Thread Locker	TL1	1
Sealer	RTV Silicone	1

DRK-316MK

Position	Part Number	Quantity
Differential Bearing	NP343847-NP372019	2
Pinion Head Bearing	NP576375-NP434567	1
Pinion Tail Bearing	M88048-M88010	1
Pinion Seal	3604 (18190)	1
Crush Sleeve	CS311	1
Pinion Nut	PN13	1
Gear Marking Compound & Brush	GMC1-BR1	1
Thread Locker	TL1	1
Sealer	RTV Silicone	1

DRK-316A

Position	Part Number	Quantity
Differential Bearing	NP343847-NP372019	2
Pinion Head Bearing	NP576375-NP434567	1
Pinion Tail Bearing	HM89443-HM89411	1
Pinion Seal	4278 (18024)	1
Crush Sleeve	CS311	1
Pinion Nut	PN6	1
Gear Marking Compound & Brush	GMC1-BR1	1
Thread Locker	TL1	1
Sealer	RTV Silicone	1

DRK-316AMK

Position	Part Number	Quantity
Differential Bearing	NP343847-NP372019	2
Pinion Head Bearing	NP576375-NP434567	1
Pinion Tail Bearing	HM89443-HM89411	1
Pinion Seal	4278 (18024)	1
Crush Sleeve	CS311	1
Pinion Nut	PN6	1
Gear Marking Compound & Brush	GMC1-BR1	1
Thread Locker	TL1	1
Sealer	RTV Silicone	1
Pinion Shims	SK41	1
Differential Shims	SK42	1
Ring Gear Bolts	RGB18	12

DRK-317

Position	Part Number	Quantity
Differential Bearing	469-453-X	2
Pinion Head Bearing	NP504493-NP949481	1
Pinion Tail Bearing	HM89443-HM89411	1
Pinion Seal	4278 (18024)	1
Crush Sleeve	CS311	1
Pinion Nut	PN6	1
Gear Marking Compound & Brush	GMC1-BR1	1
Thread Locker	TL1	1
Sealer	RTV Silicone	1

DRK-317MK

Position	Part Number	Quantity
Differential Bearing	469-453-X	2
Pinion Head Bearing	NP504493-NP949481	1
Pinion Tail Bearing	HM89443-HM89411	1
Pinion Seal	4278 (18024)	1
Crush Sleeve	CS311	1
Pinion Nut	PN6	1
Gear Marking Compound & Brush	GMC1-BR1	1
Thread Locker	TL1	1
Sealer	RTV Silicone	1
Pinion Shims	SK3	1
Differential Shims	SK10	1
Ring Gear Bolts	RGB6	12

DRK-320

Position	Part Number	Quantity
Differential Bearing	LM501349-LM501314	2
Pinion Head Bearing	HM89249-HM89210	1
Pinion Tail Bearing	M86649-M86610	1
Pinion Seal	8610 (15305)	1
Crush Sleeve	CS320	1
Pinion Nut	PN3	1
Gear Marking Compound & Brush	GMC1-BR1	1
Thread Locker	TL1	1
Sealer	RTV Silicone	1

DRK-320MK[▲]

Position	Part Number	Quantity
Differential Bearing	LM501349-LM501314	2
Pinion Head Bearing	HM89249-HM89210	1
Pinion Tail Bearing	M86649-M86610	1
Pinion Seal	8610 (15305)	1
Crush Sleeve	CS320	1
Pinion Nut	PN3	1
Gear Marking Compound & Brush	GMC1-BR1	1
Thread Locker	TL1	1
Sealer	RTV Silicone	1
Pinion Shims	SK12	1
Differential Shims	SK11 ²	1
Ring Gear Bolts	RGB2	10

DRK-320A

Position	Part Number	Quantity
Differential Bearing	JL69349-JL69310	2
Pinion Head Bearing	M88048-S-M88010	1
Pinion Tail Bearing	M86649-M86610	1
Pinion Seal	8610 (15305)	1
Crush Sleeve	CS326	1
Pinion Nut	PN3	1
Gear Marking Compound & Brush	GMC1-BR1	1
Thread Locker	TL1	1
Sealer	RTV Silicone	1

DRK-320AMK

Position	Part Number	Quantity
Differential Bearing	JL69349-JL69310	2
Pinion Head Bearing	M88048-S-M88010	1
Pinion Tail Bearing	M86649-M86610	1
Pinion Seal	8610 (15305)	1
Crush Sleeve	CS326	1
Pinion Nut	PN3	1
Gear Marking Compound & Brush	GMC1-BR1	1
Thread Locker	TL1	1
Sealer	RTV Silicone	1
Pinion Shims	SK12	1
Ring Gear Bolts	RGB2	10

DRK-320B

Position	Part Number	Quantity
Differential Bearing	LM501349-LM501314	2
Pinion Head Bearing	HM89449-HM89410	1
Pinion Tail Bearing	M86649-M86610	1
Pinion Seal	8610 (15305)	1
Crush Sleeve	CS320	1
Pinion Nut	PN3	1
Gear Marking Compound & Brush	GMC1-BR1	1
Thread Locker	TL1	1
Sealer	RTV Silicone	1

DRK-320BMK[▲]

Position	Part Number	Quantity
Differential Bearing	LM501349-LM501314	2
Pinion Head Bearing	HM89449-HM89410	1
Pinion Tail Bearing	M86649-M86610	1
Pinion Seal	8610 (15305)	1
Crush Sleeve	CS320	1
Pinion Nut	PN3	1
Gear Marking Compound & Brush	GMC1-BR1	1
Thread Locker	TL1	1
Sealer	RTV Silicone	1
Pinion Shims	SK12	1
Differential Shims	SK11 ²	1
Ring Gear Bolts	RGB2	10

DRK-320C

Position	Part Number	Quantity
Differential Bearing	LM501349-LM501314	2
Pinion Head Bearing	HM89249-HM89210	1
Pinion Tail Bearing	M86649-M86610	1
Pinion Seal	40006689	1
Crush Sleeve	CS320	1
Pinion Nut	PN3	1
Gear Marking Compound & Brush	GMC1-BR1	1
Thread Locker	TL1	1
Sealer	RTV Silicone	1

DRK-320CMK[▲]

Position	Part Number	Quantity
Differential Bearing	LM501349-LM501314	2
Pinion Head Bearing	HM89249-HM89210	1
Pinion Tail Bearing	M86649-M86610	1
Pinion Seal	40006689	1
Crush Sleeve	CS320	1
Pinion Nut	PN3	1
Gear Marking Compound & Brush	GMC1-BR1	1
Thread Locker	TL1	1
Sealer	RTV Silicone	1
Pinion Shims	SK12	1
Differential Shims	SK11 ²	1
Ring Gear Bolts	RGB2	10

DRK-320D

Position	Part Number	Quantity
Differential Bearing	LM603049-LM603012	2
Pinion Head Bearing	NP457992-NP926068	1
Pinion Tail Bearing	M86649-M86610	1
Pinion Seal	40006689	1
Crush Sleeve	CS320	1
Pinion Nut	PN3	1
Gear Marking Compound & Brush	GMC1-BR1	1
Thread Locker	TL1	1
Sealer	RTV Silicone	1

Differential Rebuild Kits

DRK-320DMK[▲]

Position	Part Number	Quantity
Differential Bearing	LM603049-LM603012	2
Pinion Head Bearing	NP457992-NP926068	1
Pinion Tail Bearing	M86649-M86610	1
Pinion Seal	40006689	1
Crush Sleeve	CS320	1
Pinion Nut	PN3	1
Gear Marking Compound & Brush	GMC1-BR1	1
Thread Locker	TL1	1
Sealer	RTV Silicone	1
Pinion Shims	SK4	1
Differential Shims	SK7 ¹	1
Ring Gear Bolts	RGB22	10

DRK-320F

Position	Part Number	Quantity
Differential Bearing	LM501349-LM501314	2
Pinion Head Bearing	HM89449-HM89410	1
Pinion Tail Bearing	M86649-M86610	1
Pinion Seal	40024218	1
Crush Sleeve	CS320	1
Pinion Nut	PN3	1
Axle Shaft Seal	40037764	2
Axle Shaft Bearing	HK4012	2
Gear Marking Compound & Brush	GMC1-BR1	1
Thread Locker	TL1	1
Sealer	RTV Silicone	1

DRK-320FMK[▲]

Position	Part Number	Quantity
Differential Bearing	LM501349-LM501314	2
Pinion Head Bearing	HM89449-HM89410	1
Pinion Tail Bearing	M86649-M86610	1
Pinion Seal	40024218	1
Crush Sleeve	CS320	1
Pinion Nut	PN3	1
Gear Marking Compound & Brush	GMC1-BR1	1
Thread Locker	TL1	1
Sealer	RTV Silicone	1
Pinion Shims	SK12	1
Differential Shims	SK11 ²	1
Ring Gear Bolts	RGB2	10
Axle Shaft Seal	40037764	2
Axle Shaft Bearing	HK4012	2

DRK-320G

Position	Part Number	Quantity
Differential Bearing	JL69349-JL69310	2
Pinion Head Bearing	M88048S-M88010	1
Pinion Tail Bearing	M86649-M86610	1
Pinion Seal	8610 (15305)	1
Crush Sleeve	CS326	1
Pinion Nut	PN3	1
Gear Marking Compound & Brush	GMC1-BR1	1
Thread Locker	TL1	1
Sealer	RTV Silicone	1
Axle Shaft Seal	40007630	2
Axle Shaft Bearing	BH78	2

DRK-320GMK

Position	Part Number	Quantity
Differential Bearing	JL69349-JL69310	2
Pinion Head Bearing	M88048S-M88010	1
Pinion Tail Bearing	M86649-M86610	1
Pinion Seal	8610 (15305)	1
Crush Sleeve	CS326	1
Pinion Nut	PN3	1
Gear Marking Compound & Brush	GMC1-BR1	1
Thread Locker	TL1	1
Sealer	RTV Silicone	1
Pinion Shims	SK12	1
Ring Gear Bolts	RGB2	10
Axle Shaft Seal	40007630	2
Needle bearing	BH78	1
Axle Shaft Bearing	HK4012	2

DRK-321

Position	Part Number	Quantity
Differential Bearing	LM501349-LM501314	2
Pinion Head Bearing	M802048-M802011	1
Pinion Tail Bearing	M88048-M88010	1
Pinion Seal (Rear Axles)	2043 (19273)	1
Pinion Seal (Front Axles)	8622 (19277)	1
Crush Sleeve	CS321	1
Pinion Nut	PN3	1
Gear Marking Compound & Brush	GMC1-BR1	1
Thread Locker	TL1	1
Sealer	RTV Silicone	1

DRK-321MK[▲]

Position	Part Number	Quantity
Differential Bearing	LM501349-LM501314	2
Pinion Head Bearing	M802048-M802011	1
Pinion Tail Bearing	M88048-M88010	1
Pinion Seal (Rear Axles)	2043 (19273)	1
Pinion Seal (Front Axles)	8622 (19277)	1
Crush Sleeve	CS321	1
Pinion Nut	PN3	1
Gear Marking Compound & Brush	GMC1-BR1	1
Thread Locker	TL1	1
Sealer	RTV Silicone	1
Pinion Shims	SK4	1
Differential Shims	SK11 ²	1
Ring Gear Bolts	RGB2	10

DRK-321A

Position	Part Number	Quantity
Differential Bearing	LM501349-LM501314	2
Pinion Head Bearing	M802048-M802011	1
Pinion Tail Bearing	M88048-M88010	1
Pinion Seal	710281 (19428)	1
Crush Sleeve	CS321	1
Pinion Nut	PN3	1
Gear Marking Compound & Brush	GMC1-BR1	1
Thread Locker	TL1	1
Sealer	RTV Silicone	1

DRK-321AMK

Position	Part Number	Quantity
Differential Bearing	LM501349-LM501314	2
Pinion Head Bearing	M802048-M802011	1
Pinion Tail Bearing	M88048-M88010	1
Pinion Seal	710281 (19428)	1
Crush Sleeve	CS321	1
Pinion Nut	PN3	1
Gear Marking Compound & Brush	GMC1-BR1	1
Thread Locker	TL1	1
Sealer	RTV Silicone	1
Pinion Shims	SK36	1
Ring Gear Bolts	RGB2	10

DRK-321B

Position	Part Number	Quantity
Differential Bearing	LM501349-LM501314	2
Pinion Head Bearing	HM89449-HM89410	1
Pinion Tail Bearing	M86649-M86610	1
Pinion Seal	8610 (15305)	1
Crush Sleeve	CS320 [■]	1
Pinion Nut	PN4	1
Gear Marking Compound & Brush	GMC1-BR1	1
Thread Locker	TL1	1
Sealer	RTV Silicone	1

■ Order CS322 if using OEM Ring & Pinion Set

DRK-321BMK

Position	Part Number	Quantity
Differential Bearing	LM501349-LM501314	2
Pinion Head Bearing	HM89449-HM89410	1
Pinion Tail Bearing	M86649-M86610	1
Pinion Seal	8610 (15305)	1
Crush Sleeve	CS320 [■]	1
Pinion Nut	PN4	1
Gear Marking Compound & Brush	GMC1-BR1	1
Thread Locker	TL1	1
Sealer	RTV Silicone	1
Pinion Shims	SK12	1
Differential Shims	SK11 ²	1
Ring Gear Bolts	RGB5	10

■ Order CS322 if using OEM Ring & Pinion Set

DRK-321C

Position	Part Number	Quantity
Differential Bearing	LM603049-LM603012	2
Pinion Head Bearing	NP457992-NP926068	1
Pinion Tail Bearing	M88048-M88010	1
Pinion Seal	26064028	1
Crush Sleeve	CS321	1
Pinion Nut	PN3	1
Gear Marking Compound & Brush	GMC1-BR1	1
Thread Locker	TL1	1
Sealer	RTV Silicone	1

Differential Rebuild Kits

DRK-321CMK[▲]

Position	Part Number	Quantity
Differential Bearing	LM603049-LM603012	2
Pinion Head Bearing	NP457992-NP926068	1
Pinion Tail Bearing	M88048-M88010	1
Pinion Seal	26064028	1
Crush Sleeve	CS321	1
Pinion Nut	PN3	1
Gear Marking Compound & Brush	GMC1-BR1	1
Thread Locker	TL1	1
Sealer	RTV Silicone	1
Pinion Shims	SK4	1
Differential Shims	SK7 ¹	1
Ring Gear Bolts	RGB2	10

DRK-321D

Position	Part Number	Quantity
Differential Bearing	LM102949-LM102911	2
Pinion Head Bearing	M802048-M802011	1
Pinion Tail Bearing	M88048-M88010	1
Pinion Seal	2043 (19273)	1
Crush Sleeve	CS321	1
Pinion Nut	PN3	1
Gear Marking Compound & Brush	GMC1-BR1	1
Thread Locker	TL1	1
Sealer	RTV Silicone	1

DRK-321DMK[▲]

Position	Part Number	Quantity
Differential Bearing	LM102949-LM102911	2
Pinion Head Bearing	M802048-M802011	1
Pinion Tail Bearing	M88048-M88010	1
Pinion Seal	2043 (19273)	1
Crush Sleeve	CS321	1
Pinion Nut	PN3	1
Gear Marking Compound & Brush	GMC1-BR1	1
Thread Locker	TL1	1
Sealer	RTV Silicone	1
Pinion Shims	SK4	1
Differential Shims	SK11 ²	1
Ring Gear Bolts	RGB2	10

DRK-321G

Position	Part Number	Quantity
Differential Bearing	LM603049-LM603014	2
Pinion Head Bearing	HM89449-HM89410	1
Pinion Tail Bearing	HM88547-HM88510	1
Pinion Seal	6818 (17727)	1
Crush Sleeve	CS331	1
Pinion Nut	PN4	1
Gear Marking Compound & Brush	GMC1-BR1	1
Thread Locker	TL1	1
Sealer	RTV Silicone	1

DRK-321GMK

Position	Part Number	Quantity
Differential Bearing	LM603049-LM603014	2
Pinion Head Bearing	HM89449-HM89410	1
Pinion Tail Bearing	HM88547-HM88510	1
Pinion Seal	6818 (17727)	1
Crush Sleeve	CS331	1
Pinion Nut	PN4	1
Gear Marking Compound & Brush	GMC1-BR1	1
Thread Locker	TL1	1
Sealer	RTV Silicone	1
Pinion Shims	SK12	1
Ring Gear Bolts	RGB5	10

DRK-321H

Position	Part Number	Quantity
Differential Bearing	LM501349-LM501314	2
Pinion Head Bearing	HM89449-HM89410	1
Pinion Tail Bearing	M86649-M86610	1
Pinion Seal	2043 (19273)	1
Crush Sleeve	CS320	1
Pinion Nut	PN3	1
Gear Marking Compound & Brush	GMC1-BR1	1
Thread Locker	TL1	1
Sealer	RTV Silicone	1

DRK-321HMK[▲]

Position	Part Number	Quantity
Differential Bearing	LM501349-LM501314	2
Pinion Head Bearing	HM89449-HM89410	1
Pinion Tail Bearing	M86649-M86610	1
Pinion Seal	2043 (19273)	1
Crush Sleeve	CS320	1
Pinion Nut	PN3	1
Gear Marking Compound & Brush	GMC1-BR1	1
Thread Locker	TL1	1
Sealer	RTV Silicone	1
Pinion Shims	SK12	1
Differential Shims	SK11 ²	1
Ring Gear Bolts	RGB5	10

DRK-321J

Position	Part Number	Quantity
Differential Bearing	LM501349-LM501314	2
Pinion Head Bearing	M802048-M802011	1
Pinion Tail Bearing	M88048-M88010	1
Pinion Seal	40007712	1
Crush Sleeve	CS321	1
Pinion Nut	PN3	1
Gear Marking Compound & Brush	GMC1-BR1	1
Thread Locker	TL1	1
Sealer	RTV Silicone	1

DRK-321JMK

Position	Part Number	Quantity
Differential Bearing	LM501349-LM501314	2
Pinion Head Bearing	M802048-M802011	1
Pinion Tail Bearing	M88048-M88010	1
Pinion Seal	40007712	1
Crush Sleeve	CS321	1
Pinion Nut	PN3	1
Gear Marking Compound & Brush	GMC1-BR1	1
Thread Locker	TL1	1
Sealer	RTV Silicone	1
Pinion Shims	SK4	1
Ring Gear Bolts	RGB2	10

DRK-321K

Position	Part Number	Quantity
Differential Bearing	LM603049-LM603012	2
Pinion Head Bearing	NP544250-NP099285	1
Pinion Tail Bearing	M88048-M88010	1
Pinion Seal	26064028	1
Crush Sleeve	CS321	1
Pinion Nut	PN3	1
Gear Marking Compound & Brush	GMC1-BR1	1
Thread Locker	TL1	1
Sealer	RTV Silicone	1

DRK-321KMK[▲]

Position	Part Number	Quantity
Differential Bearing	LM603049-LM603012	2
Pinion Head Bearing	NP544250-NP099285	1
Pinion Tail Bearing	M88048-M88010	1
Pinion Seal	26064028	1
Crush Sleeve	CS321	1
Pinion Nut	PN3	1
Gear Marking Compound & Brush	GMC1-BR1	1
Thread Locker	TL1	1
Sealer	RTV Silicone	1
Pinion Shims	SK4	1
Differential Shims	SK7 ¹	1
Ring Gear Bolts	RGB2	10

DRK-321N

Position	Part Number	Quantity
Differential Bearing	LM501349-LM501314	2
Pinion Head Bearing	M802048-M802011	1
Pinion Tail Bearing	M86649-M86610	1
Pinion Seal	2043	1
Crush Sleeve	CS348	1
Pinion Nut	PN3	1
Gear Marking Compound & Brush	GMC1-BR1	1
Thread Locker	TL1	1
Sealer	RTV Silicone	1

● Not packed in kit
▲ Add "S" suffix to kit number to receive stackable differential shims in kit.

¹ Order SSK7 for stackable differential shims.
² Order SSK11 for stackable differential shims.

Differential Rebuild Kits

DRK-321NMK[▲]

Position	Part Number	Quantity
Differential Bearing	LM501349-LM501314	2
Pinion Head Bearing	M802048-M802011	1
Pinion Tail Bearing	M86649-M86610	1
Pinion Seal	2043	1
Crush Sleeve	CS348	1
Pinion Nut	PN3	1
Gear Marking Compound & Brush	GMC1-BR1	1
Thread Locker	TL1	1
Sealer	RTV Silicone	1
Pinion Shims	SK4	1
Differential Shims	SK11 ²	1
Ring Gear Bolts	RGB2	10

DRK-321R

Position	Part Number	Quantity
Differential Bearing	LM501349-LM501314	2
Pinion Head Bearing	M802048-M802011	1
Pinion Tail Bearing	M88048-M88010	1
Pinion Seal	2043 (19273)	1
Crush Sleeve	CS321	1
Pinion Nut	PN3	1
Gear Marking Compound & Brush	GMC1-BR1	1
Thread Locker	TL1	1
Sealer	RTV Silicone	1

DRK-321RMK[▲]

Position	Part Number	Quantity
Differential Bearing	LM501349-LM501314	2
Pinion Head Bearing	M802048-M802011	1
Pinion Tail Bearing	M88048-M88010	1
Pinion Seal	2043 (19273)	1
Crush Sleeve	CS321	1
Pinion Nut	PN3	1
Gear Marking Compound & Brush	GMC1-BR1	1
Thread Locker	TL1	1
Sealer	RTV Silicone	1
Pinion Shims	SK4	1
Differential Shims	SK11 ²	1
Ring Gear Bolts	RGB2	10

DRK-322

Position	Part Number	Quantity
Differential Bearing	LM603049-LM603012	2
Pinion Head Bearing	HM89449-HM89410	1
Pinion Tail Bearing	M88048-M88010	1
Pinion Seal	8460N (17190)	1
Crush Sleeve	CS322	1
Pinion Nut	PN4	1
Gear Marking Compound & Brush	GMC1-BR1	1
Thread Locker	TL1	1
Sealer	RTV Silicone	1

DRK-322MK[▲]

Position	Part Number	Quantity
Differential Bearing	LM603049-LM603012	2
Pinion Head Bearing	HM89449-HM89410	1
Pinion Tail Bearing	M88048-M88010	1
Pinion Seal	8460N (17190)	1
Crush Sleeve	CS322	1
Pinion Nut	PN4	1
Gear Marking Compound & Brush	GMC1-BR1	1
Thread Locker	TL1	1
Sealer	RTV Silicone	1
Pinion Shims	SK12	1
Differential Shims	SK7 ¹	1
Ring Gear Bolts	RGB5	12

DRK-323

Position	Part Number	Quantity
Differential Bearing	LM603049-LM603012	2
Pinion Head Bearing	M802048-M802011	1
Pinion Tail Bearing	M88048-M88010	1
Pinion Seal (1963-1972)	8460N (17190)	1
Pinion Seal (1973 and Later)	2043 (19273)	1
Crush Sleeve	CS321	1
Gear Marking Compound & Brush	GMC1-BR1	1
Pinion Nut	PN4	1
Gear Marking Compound & Brush	GMC1-BR1	1
Thread Locker	TL1	1
Sealer	RTV Silicone	1

DRK-323MK[▲]

Position	Part Number	Quantity
Differential Bearing	LM603049-LM603012	2
Pinion Head Bearing	M802048-M802011	1
Pinion Tail Bearing	M88048-M88010	1
Pinion Seal (1963-1972)	8460N (17190)	1
Pinion Seal (1973 and Later)	2043 (19273)	1
Crush Sleeve	CS321	1
Gear Marking Compound & Brush	GMC1-BR1	1
Pinion Nut	PN4	1
Gear Marking Compound & Brush	GMC1-BR1	1
Thread Locker	TL1	1
Sealer	RTV Silicone	1
Pinion Shims	SK4	1
Differential Shims	SK7 ¹	1
Ring Gear Bolts	RGB5	12
Pinion seal - Corvette	6109	1

DRK-323A

Position	Part Number	Quantity
Differential Bearing	LM603049-LM603012	2
Pinion Head Bearing	M802048-M802011	1
Pinion Tail Bearing	M88048-M88010	1
Pinion Seal	8460N (17190)	1
Crush Sleeve	CS323	1
Pinion Nut	PN4	1
Gear Marking Compound & Brush	GMC1-BR1	1
Thread Locker	TL1	1
Sealer	RTV Silicone	1

DRK-323AMK[▲]

Position	Part Number	Quantity
Differential Bearing	LM603049-LM603012	2
Pinion Head Bearing	M802048-M802011	1
Pinion Tail Bearing	M88048-M88010	1
Pinion Seal	8460N (17190)	1
Crush Sleeve	CS323	1
Pinion Nut	PN4	1
Gear Marking Compound & Brush	GMC1-BR1	1
Thread Locker	TL1	1
Sealer	RTV Silicone	1
Pinion Shims	SK4	1
Differential Shims	SK7 ¹	1
Ring Gear Bolts	RGB5	12

DRK-324

Position	Part Number	Quantity
Differential Bearing	JLM506849A-JLM506811	2
Pinion Head Bearing	HM804846-HM804810	1
Pinion Tail Bearing	HM88649-HM88610	1
Pinion Seal	3896 (BH1030EO)	1
Crush Sleeve	CS324	1
Pinion Nut	PN3	1
Gear Marking Compound & Brush	GMC1-BR1	1
Thread Locker	TL1	1
Sealer	RTV Silicone	1

DRK-324MK

Position	Part Number	Quantity
Differential Bearing	JLM506849A-JLM506811	2
Pinion Head Bearing	HM804846-HM804810	1
Pinion Tail Bearing	HM88649-HM88610	1
Pinion Seal	3896 (BH1030EO)	1
Crush Sleeve	CS324	1
Pinion Nut	PN3	1
Gear Marking Compound & Brush	GMC1-BR1	1
Thread Locker	TL1	1
Sealer	RTV Silicone	1
Pinion Shims	SK3	1
Differential Shims	SK13	1
Ring Gear Bolts	RGB8	12

DRK-324A

Position	Part Number	Quantity
Differential Bearing	JLM506849A-JLM506811	2
Pinion Head Bearing	HM804846-HM804810	1
Pinion Tail Bearing	HM88649-HM88610	1
Pinion Seal	710281 (19428)	1
Crush Sleeve	CS324	1
Pinion Nut	PN3	1
Gear Marking Compound & Brush	GMC1-BR1	1
Thread Locker	TL1	1
Sealer	RTV Silicone	1

DRK-324AMK

Position	Part Number	Quantity
Differential Bearing	JLM506849A-JLM506811	2
Pinion Head Bearing	HM804846-HM804810	1
Pinion Tail Bearing	HM88649-HM88610	1
Pinion Seal	710281 (19428)	1
Crush Sleeve	CS324	1
Pinion Nut	PN3	1
Gear Marking Compound & Brush	GMC1-BR1	1
Thread Locker	TL1	1
Sealer	RTV Silicone	1
Pinion Shims	SK3	1
Differential Shims	SK13	1
Ring Gear Bolts	RGB8	12

DRK-324B

Position	Part Number	Quantity
Differential Bearing	JLM506849A-JLM506811	2
Pinion Head Bearing	HM804846-HM804810	1
Pinion Tail Bearing	HM88649-HM88610	1
Pinion Seal	710507 (26064029)	1
Crush Sleeve	CS324	1
Pinion Nut	PN3	1
Gear Marking Compound & Brush	GMC1-BR1	1
Thread Locker	TL1	1
Sealer	RTV Silicone	1

DRK-324BMK

Position	Part Number	Quantity
Differential Bearing	JLM506849A-JLM506811	2
Pinion Head Bearing	HM804846-HM804810	1
Pinion Tail Bearing	HM88649-HM88610	1
Pinion Seal	710507 (26064029)	1
Crush Sleeve	CS324	1
Pinion Nut	PN3	1
Gear Marking Compound & Brush	GMC1-BR1	1
Thread Locker	TL1	1
Sealer	RTV Silicone	1
Pinion Shims	SK13	1
Differential Shims	SK3	1
Ring Gear Bolts	RGB8	12

DRK-324C

Position	Part Number	Quantity
Differential Bearing	JLM506849A-JLM506811	2
Pinion Head Bearing	HM804846-HM804810	1
Pinion Tail Bearing	HM88649-HM88610	1
Pinion Seal	4007712	1
Crush Sleeve	CS324	1
Pinion Nut	PN3	1
Gear Marking Compound & Brush	GMC1-BR1	1
Thread Locker	TL1	1
Sealer	RTV Silicone	1

DRK-324CMK

Position	Part Number	Quantity
Differential Bearing	JLM506849A-JLM506811	2
Pinion Head Bearing	HM804846-HM804810	1
Pinion Tail Bearing	HM88649-HM88610	1
Pinion Seal	4007712	1
Crush Sleeve	CS324	1
Pinion Nut	PN3	1
Gear Marking Compound & Brush	GMC1-BR1	1
Thread Locker	TL1	1
Sealer	RTV Silicone	1
Pinion Shims	SK3	1
Differential Shims	SK13	1
Ring Gear Bolts	RGB8	12

DRK-324G

Position	Part Number	Quantity
Differential Bearing	JLM506849A-JLM506811	2
Pinion Head Bearing	HM804846-HM804810	1
Pinion Tail Bearing	HM88649-HM88610	1
Pinion Seal	40017140	1
Crush Sleeve	CS324	1
Pinion Nut	PN3	1
Gear Marking Compound & Brush	GMC1-BR1	1
Thread Locker	TL1	1
Sealer	RTV Silicone	1

DRK-324GMK

Position	Part Number	Quantity
Differential Bearing	JLM506849A-JLM506811	2
Pinion Head Bearing	HM804846-HM804810	1
Pinion Tail Bearing	HM88649-HM88610	1
Pinion Seal	40017140	1
Crush Sleeve	CS324	1
Pinion Nut	PN3	1
Gear Marking Compound & Brush	GMC1-BR1	1
Thread Locker	TL1	1
Sealer	RTV Silicone	1
Pinion Shims	SK3	1
Differential Shims	SK13	1
Ring Gear Bolts	RGB8	12

DRK-325

Position	Part Number	Quantity
Differential Bearing	387AS-382A	2
Pinion Head Bearing	HM803149-HM803110	1
Pinion Tail Bearing	M802048-M802011	1
Pinion Nose Bearing	R1581TV	1
Pinion Seal	2286 (21955)	1
Crush Sleeve	CS325	1
Pinion Nut	PN7	1
Gear Marking Compound & Brush	GMC1-BR1	1
Thread Locker	TL1	1
Sealer	RTV Silicone	1

DRK-325MK

Position	Part Number	Quantity
Differential Bearing	387AS-382A	2
Pinion Head Bearing	HM803149-HM803110	1
Pinion Tail Bearing	M802048-M802011	1
Pinion Nose Bearing	R1581TV	1
Pinion Seal	2286 (21955)	1
Crush Sleeve	CS325	1
Pinion Nut	PN7	1
Gear Marking Compound & Brush	GMC1-BR1	1
Thread Locker	TL1	1
Sealer	RTV Silicone	1
Pinion Shims	SK14	1
Ring Gear Bolts	RGB9 [■]	12

■ Order RGB10 for ratios 4.56 and higher

DRK-325A

Position	Part Number	Quantity
Differential Bearing	387AS-382A	2
Pinion Head Bearing	HM903249-HM903210	1
Pinion Tail Bearing	M802048-M802011	1
Pinion Nose Bearing	R1581TV	1
Pinion Seal	2286 (21955)	1
Crush Sleeve	CS325A	1
Pinion Nut	PN7	1
Gear Marking Compound & Brush	GMC1-BR1	1
Thread Locker	TL1	1
Sealer	RTV Silicone	1

DRK-325AMK

Position	Part Number	Quantity
Differential Bearing	387AS-382A	2
Pinion Head Bearing	HM903249-HM903210	1
Pinion Tail Bearing	M802048-M802011	1
Pinion Nose Bearing	R1581TV	1
Pinion Seal	2286 (21955)	1
Crush Sleeve	CS325A	1
Pinion Nut	PN7	1
Gear Marking Compound & Brush	GMC1-BR1	1
Thread Locker	TL1	1
Sealer	RTV Silicone	1
Pinion Shims	SK14	1
Ring Gear Bolts	RGB9 [■]	12

■ Order RGB10 for ratios 4.56 and higher

DRK-325B

Position	Part Number	Quantity
Differential Bearing	387AS-382A	2
Pinion Head Bearing	HM903249-HM903210	1
Pinion Tail Bearing	M802048-M802011	1
Pinion Nose Bearing	R1581TV	1
Pinion Seal	710508 (26064030)	1
Crush Sleeve	CS325-A	1
Pinion Nut	PN7	1
Gear Marking Compound & Brush	GMC1-BR1	1
Thread Locker	TL1	1
Sealer	RTV Silicone	1

● Not packed in kit
▲ Add "S" suffix to kit number to receive stackable differential shims in kit.

¹ Order SSK7 for stackable differential shims.
² Order SSK11 for stackable differential shims.

DRK-325BMK

Position	Part Number	Quantity
Differential Bearing	387AS-382A	2
Pinion Head Bearing	HM903249-HM903210	1
Pinion Tail Bearing	M802048-M802011	1
Pinion Nose Bearing	R1581TV	1
Pinion Seal	710508 (26064030)	1
Crush Sleeve	CS325-A	1
Pinion Nut	PN7	1
Gear Marking Compound & Brush	GMC1-BR1	1
Thread Locker	TL1	1
Sealer	RTV Silicone	1
Pinion Shims	SK14	1
Ring Gear Bolts	RGB9	12

DRK-326

Position	Part Number	Quantity
Differential Bearing	LM102949-LM102911	2
Pinion Head Bearing	HM89446-HM89410	1
Pinion Tail Bearing	M86649-M86610	1
Pinion Seal	7457N (16545)	1
Crush Sleeve	CS310	1
Pinion Nut	PN12	1
Gear Marking Compound & Brush	GMC1-BR1	1
Thread Locker	TL1	1
Sealer	RTV Silicone	1

DRK-326MK[▲]

Position	Part Number	Quantity
Differential Bearing	LM102949-LM102911	2
Pinion Head Bearing	HM89446-HM89410	1
Pinion Tail Bearing	M86649-M86610	1
Pinion Seal	7457N (16545)	1
Crush Sleeve	CS310	1
Pinion Nut	PN12	1
Gear Marking Compound & Brush	GMC1-BR1	1
Thread Locker	TL1	1
Sealer	RTV Silicone	1
Pinion Shims	SK12	1
Differential Shims	SK11 ²	1
Ring Gear Bolts	RGB2	8

DRK-327

Position	Part Number	Quantity
Differential Bearing	3984-3920	2
Pinion Head Bearing	HM807046-HM807010	1
Pinion Tail Bearing	M802048-M802011	1
Pinion Seal	710508 (26064030)	1
Crush Sleeve	CS341	1
Pinion Nut	PN17	1
Gear Marking Compound & Brush	GMC1-BR1	1
Thread Locker	TL1	1
Sealer	RTV Silicone	1

DRK-327MK

Position	Part Number	Quantity
Differential Bearing	3984-3920	2
Pinion Head Bearing	HM807046-HM807010	1
Pinion Tail Bearing	M802048-M802011	1
Pinion Seal	710508 (26064030)	1
Crush Sleeve	CS341	1
Pinion Nut	PN17	1
Gear Marking Compound & Brush	GMC1-BR1	1
Thread Locker	TL1	1
Sealer	RTV Silicone	1
Pinion Shims	SK16	1
Ring Gear Bolts	RGB21	12

DRK-328

Position	Part Number	Quantity
Differential Bearing	387A-382A	2
Pinion Head Bearing	NP201062-NP101912	1
Pinion Tail Bearing	NP568415-NP908986	1
Output shaft seal	1239640	2
Gear Marking Compound & Brush	GMC1-BR1	1
Thread Locker	TL1	1
Sealer	RTV Silicone	1
Needle bearing	HK4020	1
O-ring	OR162	1
O-ring	OR170X2	1
O-ring	OR264	2

DRK-329

Position	Part Number	Quantity
Differential Bearing	25584-25520	2
Pinion Head Bearing	HM804846-HM804810	1
Pinion Tail Bearing	HM89446-HM89410	1
Pinion Seal	473461 (19380)	1
Crush Sleeve	CS329	1
Pinion Nut	PN3	1
Gear Marking Compound & Brush	GMC1-BR1	1
Thread Locker	TL1	1
Sealer	RTV Silicone	1

DRK-329MK

Position	Part Number	Quantity
Differential Bearing	25584-25520	2
Pinion Head Bearing	HM804846-HM804810	1
Pinion Tail Bearing	HM89446-HM89410	1
Pinion Seal	473461 (19380)	1
Crush Sleeve	CS329	1
Pinion Nut	PN3	1
Gear Marking Compound & Brush	GMC1-BR1	1
Thread Locker	TL1	1
Sealer	RTV Silicone	1
Pinion Shims	SK3	1
Differential Shims	SK23	1
Ring Gear Bolts	RGB5	10

DRK-331

Position	Part Number	Quantity
Differential Bearing	387A-382S	2
Pinion Head Bearing	HM803146-HM803110	1
Pinion Tail Bearing	HM88542-HM88510	1
Pinion Seal (1958-1972)	6808N (18888)	1
Pinion Seal (1971 and later)	9316 (18891)	1
Pinion Nut	PN5	1
Gear Marking Compound & Brush	GMC1-BR1	1
Thread Locker	TL1	1
Sealer	RTV Silicone	1
Pinion Adjusting Shims	SK17	1
Pinion Shims	SK15	1
Differential Shims	SK16	1

DRK-331MK

Position	Part Number	Quantity
Differential Bearing	387A-382S	2
Pinion Head Bearing	HM803146-HM803110	1
Pinion Tail Bearing	HM88542-HM88510	1
Pinion Seal (1958-1972)	6808N (18888)	1
Pinion Seal (1971 and later)	9316 (18891)	1
Pinion Nut	PN5	1
Gear Marking Compound & Brush	GMC1-BR1	1
Thread Locker	TL1	1
Sealer	RTV Silicone	1
Pinion Adjusting Shims	SK17	1
Pinion Shims	SK15	1
Differential Shims	SK16	1
Ring Gear Bolts	RGB6	12

DRK-331A

Position	Part Number	Quantity
Differential Bearing	387A-382S	2
Pinion Head Bearing	HM803146-HM803110	1
Pinion Tail Bearing	HM88542-HM88510	1
Pinion Seal (w/ end yoke 3-4-12771-1)	9316 (18891)	1
Pinion Seal (w/ end yoke 3-4-14531-1)	DS50574	1
Crush Sleeve	CS342	1
Pinion Nut	PN5	1
Gear Marking Compound & Brush	GMC1-BR1	1
Thread Locker	TL1	1
Sealer	RTV Silicone	1

DRK-331AMK

Position	Part Number	Quantity
Differential Bearing	387A-382S	2
Pinion Head Bearing	HM803146-HM803110	1
Pinion Tail Bearing	HM88542-HM88510	1
Pinion Seal (w/ end yoke 3-4-12771-1)	9316 (18891)	1
Pinion Seal (w/ end yoke 3-4-14531-1)	DS50574	1
Crush Sleeve	CS342	1
Pinion Nut	PN5	1
Gear Marking Compound & Brush	GMC1-BR1	1
Thread Locker	TL1	1
Sealer	RTV Silicone	1
Pinion Shims	SK15	1
Differential Shims	SK16	1
Ring Gear Bolts	RGB6	12

DRK-331B

Position	Part Number	Quantity
Differential Bearing	NP197868-NP802507	2
Pinion Head Bearing	HM803146-HM803110	1
Pinion Tail Bearing	HM88542-HM88510	1
Pinion Seal (1998-2000)	719316 (42449)	1
Pinion Seal (2001 and Later)	50637	1
Pinion Nut	PN5	1
Gear Marking Compound & Brush	GMC1-BR1	1
Thread Locker	TL1	1
Sealer	RTV Silicone	1

DRK-331BMK

Position	Part Number	Quantity
Differential Bearing	NP197868-NP802507	2
Pinion Head Bearing	HM803146-HM803110	1
Pinion Tail Bearing	HM88542-HM88510	1
Pinion Seal (1998-2000)	719316 (42449)	1
Pinion Seal (2001 and Later)	50637	1
Pinion Nut	PN5	1
Gear Marking Compound & Brush	GMC1-BR1	1
Thread Locker	TL1	1
Sealer	RTV Silicone	1
Pinion Adjusting Shims	SK17	1
Pinion Shims	SK15	1
Differential Shims	SK16	1
Ring Gear Bolts	RGB6	12

DRK-331C

Position	Part Number	Quantity
Differential Bearing	NP197868-NP802507	2
Pinion Head Bearing	HM803146-HM803110	1
Pinion Tail Bearing	HM88542-HM88510	1
Pinion Seal	DS51353	1
Pinion Nut	PN5	1
Gear Marking Compound & Brush	GMC1-BR1	1
Thread Locker	TL1	1
Sealer	RTV Silicone	1

DRK-331CMK

Position	Part Number	Quantity
Differential Bearing	NP197868-NP802507	2
Pinion Head Bearing	HM803146-HM803110	1
Pinion Tail Bearing	HM88542-HM88510	1
Pinion Seal	DS51353	1
Pinion Nut	PN5	1
Gear Marking Compound & Brush	GMC1-BR1	1
Thread Locker	TL1	1
Sealer	RTV Silicone	1
Pinion Adjusting Shims	SK17	1
Pinion Shims	SK15	1
Differential Shims	SK16	3
Ring Gear Bolts	RGB6	12

DRK-332

Position	Part Number	Quantity
Differential Bearing	387A-382S	2
Pinion Head Bearing	HM807040-HM807010	1
Pinion Tail Bearing	HM88542-HM88510	1
Pinion Seal (1957-1970)	6808N (18888)	1
Pinion Seal (1970 and Later)	9316 (18891)	1
Pinion Nut	PN5	1
Gear Marking Compound & Brush	GMC1-BR1	1
Thread Locker	TL1	1
Sealer	RTV Silicone	1

DRK-332MK

Position	Part Number	Quantity
Differential Bearing	387A-382S	2
Pinion Head Bearing	HM807040-HM807010	1
Pinion Tail Bearing	HM88542-HM88510	1
Pinion Seal (1957-1970)	6808N (18888)	1
Pinion Seal (1970 and Later)	9316 (18891)	1
Pinion Nut	PN5	1
Gear Marking Compound & Brush	GMC1-BR1	1
Thread Locker	TL1	1
Sealer	RTV Silicone	1
Pinion Adjusting Shims	SK18	1
Pinion Shims	SK17	1
Differential Shims	SK16	1
Ring Gear Bolts	RGB12	12

DRK-332A

Position	Part Number	Quantity
Differential Bearing	NP197868-NP802507	2
Pinion Head Bearing	HM803149-HM803110	1
Pinion Tail Bearing	HM88542-HM88510	1
Pinion Seal	719316 (42449)	1
Pinion Nut	PN5	1
Gear Marking Compound & Brush	GMC1-BR1	1
Thread Locker	TL1	1
Sealer	RTV Silicone	1
Pinion Adjusting Shims	SK17	1
Pinion Shims	SK15	1
Differential Shims	SK16	1
Spacer	DS46176	1

DRK-332AMK

Position	Part Number	Quantity
Differential Bearing	NP197868-NP802507	2
Pinion Head Bearing	HM803149-HM803110	1
Pinion Tail Bearing	HM88542-HM88510	1
Pinion Seal	719316 (42449)	1
Pinion Nut	PN5	1
Gear Marking Compound & Brush	GMC1-BR1	1
Thread Locker	TL1	1
Sealer	RTV Silicone	1
Pinion Adjusting Shims	SK17	1
Pinion Shims	SK15	1
Differential Shims	SK16	1
Ring Gear Bolts	RGB12	12
Spacer	DS46176	1

DRK-332HD

Position	Part Number	Quantity
Differential Bearing	469-453-X	2
Pinion Head Bearing	HM807040-HM807010	1
Pinion Tail Bearing	HM88542-HM88510	1
Pinion Seal	9316 (18891)	1
Pinion Nut	PN5	1
Gear Marking Compound & Brush	GMC1-BR1	1
Thread Locker	TL1	1
Sealer	RTV Silicone	1
Pinion Adjusting Shims	SK18	1
Pinion Shims	SK17	1
Differential Shims	SK16	1

DRK-332HDMK

Position	Part Number	Quantity
Differential Bearing	469-453-X	2
Pinion Head Bearing	HM807040-HM807010	1
Pinion Tail Bearing	HM88542-HM88510	1
Pinion Seal	9316 (18891)	1
Pinion Nut	PN5	1
Gear Marking Compound & Brush	GMC1-BR1	1
Thread Locker	TL1	1
Sealer	RTV Silicone	1
Pinion Adjusting Shims	SK18	1
Pinion Shims	SK17	1
Differential Shims	SK16	1
Ring Gear Bolts	RGB12	12

DRK-332-U

Position	Part Number	Quantity
Differential Bearing	387A-382S	2
Pinion Head Bearing	HM803149-HM803110	1
Pinion Tail Bearing	HM88542-HM88510	1
Pinion Seal	9316 (18891)	1
Pinion Nut	PN5	1
Gear Marking Compound & Brush	GMC1-BR1	1
Thread Locker	TL1	1
Sealer	RTV Silicone	1
Pinion Adjusting Shims	SK17	1
Pinion Shims	SK15	1
Differential Shims	SK16	1

DRK-332UMK

Position	Part Number	Quantity
Differential Bearing	387A-382S	2
Pinion Head Bearing	HM803149-HM803110	1
Pinion Tail Bearing	HM88542-HM88510	1
Pinion Seal	9316 (18891)	1
Pinion Nut	PN5	1
Gear Marking Compound & Brush	GMC1-BR1	1
Thread Locker	TL1	1
Sealer	RTV Silicone	1
Pinion Adjusting Shims	SK17	1
Pinion Shims	SK15	1
Differential Shims	SK16	1
Ring Gear Bolts	RGB12	12

DRK-333

Position	Part Number	Quantity
Differential Bearing	LM29749-LM29710	2
Pinion Head Bearing	M88048-M88010	1
Pinion Tail Bearing	M86649-M86610	1
Pinion Seal	4244 (UZ0147G1)	1
Crush Sleeve	CS330	1
Pinion Nut	PN8A	1
Gear Marking Compound & Brush	GMC1-BR1	1
Thread Locker	TL1	1
Sealer	RTV Silicone	1

DRK-333MK

Position	Part Number	Quantity
Differential Bearing	LM29749-LM29710	2
Pinion Head Bearing	M88048-M88010	1
Pinion Tail Bearing	M86649-M86610	1
Pinion Seal	4244 (UZ0147G1)	1
Crush Sleeve	CS330	1
Pinion Nut	PN8A	1
Gear Marking Compound & Brush	GMC1-BR1	1
Thread Locker	TL1	1
Sealer	RTV Silicone	1
Pinion Shims	SK24	1
Differential Shims	SK25	1
Ring Gear Bolts	RGB5	10

DRK-334

Position	Part Number	Quantity
Differential Bearing	LM501349-LM501314	2
Pinion Head Bearing	HM88649-HM88610	1
Pinion Tail Bearing	02872-02820	1
Pinion Seal	5778 (15788)	1
Pinion Nut	PN8A	1
Gear Marking Compound & Brush	GMC1-BR1	1
Thread Locker	TL1	1
Sealer	RTV Silicone	1

DRK-334MK

Position	Part Number	Quantity
Differential Bearing	LM501349-LM501314	2
Pinion Head Bearing	HM88649-HM88610	1
Pinion Tail Bearing	02872-02820	1
Pinion Seal	5778 (15788)	1
Pinion Nut	PN8A	1
Gear Marking Compound & Brush	GMC1-BR1	1
Thread Locker	TL1	1
Sealer	RTV Silicone	1
Pinion Adjusting Shims	SK5	1
Pinion Shims	SK29	1
Differential Shims	SK20	1
Ring Gear Bolts	RGB5	10

DRK-334A

Position	Part Number	Quantity
Differential Bearing	LM501349-LM501314	2
Pinion Head Bearing	HM88649-HM88610	1
Pinion Tail Bearing	M86649-M86610	1
Pinion Seal	5778 (15788)	1
Crush Sleeve	CS328	1
Pinion Nut	PN8A	1
Gear Marking Compound & Brush	GMC1-BR1	1
Thread Locker	TL1	1
Sealer	RTV Silicone	1
Pinion Nut Washer	30186	1

DRK-334AMK

Position	Part Number	Quantity
Differential Bearing	LM501349-LM501314	2
Pinion Head Bearing	HM88649-HM88610	1
Pinion Tail Bearing	M86649-M86610	1
Pinion Seal	5778 (15788)	1
Crush Sleeve	CS328	1
Pinion Nut	PN8A	1
Gear Marking Compound & Brush	GMC1-BR1	1
Thread Locker	TL1	1
Sealer	RTV Silicone	1
Pinion Shims	SK29	1
Differential Shims	SK20	1
Ring Gear Bolts	RGB5	10
Slinger	13575	1
Pinion Nut Washer	30186	1

DRK-334B

Position	Part Number	Quantity
Differential Bearing	LM501349-LM501314	2
Pinion Head Bearing	HM88649-HM88610	1
Pinion Tail Bearing	M86649-M86610	1
Pinion Seal	51501	1
Crush Sleeve	CS328	1
Pinion Nut	PN8A	1
Gear Marking Compound & Brush	GMC1-BR1	1
Thread Locker	TL1	1
Sealer	RTV Silicone	1

DRK-334BMK

Position	Part Number	Quantity
Differential Bearing	LM501349-LM501314	2
Pinion Head Bearing	HM88649-HM88610	1
Pinion Tail Bearing	M86649-M86610	1
Pinion Seal	51501	1
Crush Sleeve	CS328	1
Pinion Nut	PN8A	1
Gear Marking Compound & Brush	GMC1-BR1	1
Thread Locker	TL1	1
Sealer	RTV Silicone	1
Pinion Shims	SK19	1
Differential Shims	SK20	1
Ring Gear Bolts	RGB5	10

DRK-334C

Position	Part Number	Quantity
Differential Bearing	LM501349-LM501314	2
Pinion Head Bearing	HM88649-HM88610	1
Pinion Tail Bearing	M86649-M86610	1
Pinion Seal	5778 (15788)	1
Pinion Seal	DS50531	1
Crush Sleeve	CS335	1
Pinion Nut	PN8A	1
Gear Marking Compound & Brush	GMC1-BR1	1
Thread Locker	TL1	1
Sealer	RTV Silicone	1

DRK-334CMK

Position	Part Number	Quantity
Differential Bearing	LM501349-LM501314	2
Pinion Head Bearing	HM88649-HM88610	1
Pinion Tail Bearing	M86649-M86610	1
Pinion Seal	5778 (15788)	1
Pinion Seal	DS50531	1
Crush Sleeve	CS335	1
Pinion Nut	PN8A	1
Gear Marking Compound & Brush	GMC1-BR1	1
Thread Locker	TL1	1
Sealer	RTV Silicone	1
Pinion Shims	SK19	1
Differential Shims	SK20	1
Ring Gear Bolts	RGB5	10
Pinion Nut Washer	30186	1
Slinger	13575	1

DRK-334D

Position	Part Number	Quantity
Differential Bearing	LM501349-LM501314	2
Pinion Head Bearing	HM88649-HM88610	1
Pinion Tail Bearing	M86649-M86610	1
Pinion Seal	DS2004670	1
Crush Sleeve	CS345	1
Pinion Nut	PN6	1
Gear Marking Compound & Brush	GMC1-BR1	1
Thread Locker	TL1	1
Sealer	RTV Silicone	1

DRK-334DMK

Position	Part Number	Quantity
Differential Bearing	LM501349-LM501314	2
Pinion Head Bearing	HM88649-HM88610	1
Pinion Tail Bearing	M86649-M86610	1
Pinion Seal	DS2004670	1
Crush Sleeve	CS345	1
Pinion Nut	PN6	1
Gear Marking Compound & Brush	GMC1-BR1	1
Thread Locker	TL1	1
Sealer	RTV Silicone	1
Pinion Shims	SK4	1
Differential Shims	SK20	1
Ring Gear Bolts	RGB5	10

DRK-334TJ

Position	Part Number	Quantity
Differential Bearing	LM501349-LM501314	2
Pinion Head Bearing	HM88649-HM88610	1
Pinion Tail Bearing	M86649-M86610	1
Pinion Seal	5778 (15788)	1
Pinion Seal	DS50660	1
Crush Sleeve	CS335	1
Pinion Nut	PN8A	1
Gear Marking Compound & Brush	GMC1-BR1	1
Thread Locker	TL1	1
Sealer	RTV Silicone	1

DRK-334TJMK

Position	Part Number	Quantity
Differential Bearing	LM501349-LM501314	2
Pinion Head Bearing	HM88649-HM88610	1
Pinion Tail Bearing	M86649-M86610	1
Pinion Seal	5778 (15788)	1
Pinion Seal	DS50660	1
Crush Sleeve	CS335	1
Pinion Nut	PN8A	1
Gear Marking Compound & Brush	GMC1-BR1	1
Thread Locker	TL1	1
Sealer	RTV Silicone	1
Pinion Shims	SK29	1
Differential Shims	SK20	1
Ring Gear Bolts	RGB5	10
Slinger	13575	1
Pinion Nut Washer	30186	1

DRK-335

Position	Part Number	Quantity
Differential Bearing	LM501349-LM501314	2
Pinion Head Bearing	HM88648-HM88610	1
Pinion Tail Bearing	M86649-M86610	1
Pinion Seal	714675	1
Crush Sleeve	CS310	1
Pinion Nut	PN6	1
Gear Marking Compound & Brush	GMC1-BR1	1
Thread Locker	TL1	1
Sealer	RTV Silicone	1

DRK-335MK

Position	Part Number	Quantity
Differential Bearing	LM501349-LM501314	2
Pinion Head Bearing	HM88648-HM88610	1
Pinion Tail Bearing	M86649-M86610	1
Pinion Seal	714675	1
Crush Sleeve	CS310	1
Pinion Nut	PN6	1
Gear Marking Compound & Brush	GMC1-BR1	1
Thread Locker	TL1	1
Sealer	RTV Silicone	1
Pinion Shims	SK29	1
Differential Shims	SK28	1
Ring Gear Bolts	RGB5	8

DRK-335B

Position	Part Number	Quantity
Differential Bearing	LM501349-LM501310	2
Pinion Head Bearing	HM88648-HM88610	1
Pinion Tail Bearing	M86649-M86610	1
Pinion Seal	51501	1
Crush Sleeve	CS310	1
Pinion Nut	PN6	1
Gear Marking Compound & Brush	GMC1-BR1	1
Thread Locker	TL1	1
Sealer	RTV Silicone	1

DRK-335BMK

Position	Part Number	Quantity
Differential Bearing	LM501349-LM501310	2
Pinion Head Bearing	HM88648-HM88610	1
Pinion Tail Bearing	M86649-M86610	1
Pinion Seal	51501	1
Crush Sleeve	CS310	1
Pinion Nut	PN6	1
Gear Marking Compound & Brush	GMC1-BR1	1
Thread Locker	TL1	1
Sealer	RTV Silicone	1
Pinion Shims	SK29	1
Differential Shims	SK28	1
Ring Gear Bolts	RGB5	8

DRK-335C

Position	Part Number	Quantity
Differential Bearing	LM501349-LM501314	2
Pinion Head Bearing	HM88648-HM88610	1
Pinion Tail Bearing	M86649-M86610	1
Pinion Seal	DS49153	1
Crush Sleeve	CS344	1
Pinion Nut	PN6	1
Gear Marking Compound & Brush	GMC1-BR1	1
Thread Locker	TL1	1
Sealer	RTV Silicone	1

DRK-335CMK

Position	Part Number	Quantity
Differential Bearing	LM501349-LM501314	2
Pinion Head Bearing	HM88648-HM88610	1
Pinion Tail Bearing	M86649-M86610	1
Pinion Seal	DS49153	1
Crush Sleeve	CS344	1
Pinion Nut	PN6	1
Gear Marking Compound & Brush	GMC1-BR1	1
Thread Locker	TL1	1
Sealer	RTV Silicone	1
Pinion Shims	SK29	1
Differential Shims	SK28	1
Ring Gear Bolts	RGB5	8

DRK-335F

Position	Part Number	Quantity
Differential Bearing	LM501349-LM501314	2
Pinion Head Bearing	HM88648-HM88610	1
Pinion Tail Bearing	M86649-M86610	1
Pinion Seal	470331N (18444)	1
Crush Sleeve	CS310	1
Pinion Nut	PN6	1
Gear Marking Compound & Brush	GMC1-BR1	1
Thread Locker	TL1	1
Sealer	RTV Silicone	1

DRK-335FMK

Position	Part Number	Quantity
Differential Bearing	LM501349-LM501314	2
Pinion Head Bearing	HM88648-HM88610	1
Pinion Tail Bearing	M86649-M86610	1
Pinion Seal	470331N (18444)	1
Crush Sleeve	CS310	1
Pinion Nut	PN6	1
Gear Marking Compound & Brush	GMC1-BR1	1
Thread Locker	TL1	1
Sealer	RTV Silicone	1
Pinion Shims	SK29	1
Differential Shims	SK28	1
Ring Gear Bolts	RGB5	8

DRK-336

Position	Part Number	Quantity
Differential Bearing	JLM104948-LM104911A	2
Pinion Head Bearing	HM88649-HM88610	1
Pinion Tail Bearing	02872-02820	1
Pinion Seal	5778 (15788)	1
Pinion Nut	PN8A	1
Gear Marking Compound & Brush	GMC1-BR1	1
Thread Locker	TL1	1
Sealer	RTV Silicone	1

DRK-336MK

Position	Part Number	Quantity
Differential Bearing	JLM104948-LM104911A	2
Pinion Head Bearing	HM88649-HM88610	1
Pinion Tail Bearing	02872-02820	1
Pinion Seal	5778 (15788)	1
Pinion Nut	PN8A	1
Gear Marking Compound & Brush	GMC1-BR1	1
Thread Locker	TL1	1
Sealer	RTV Silicone	1
Pinion Adjusting Shims	SK5	1
Pinion Shims	SK19	1
Differential Shims	SK21	1
Ring Gear Bolts	RGB14	10
Pinion Nut Washer	30186	1

Differential Rebuild Kits

DRK-336A

Position	Part Number	Quantity
Differential Bearing	JLM104948-LM104911A	2
Pinion Head Bearing	HM88649-HM88610	1
Pinion Tail Bearing	02872-02820	1
Pinion Seal	5778 (15788)	1
Pinion Seal	50531	1
Crush Sleeve	CS338	1
Pinion Nut	PN8A	1
Gear Marking Compound & Brush	GMC1-BR1	1
Thread Locker	TL1	1
Sealer	RTV Silicone	1

DRK-336AMK

Position	Part Number	Quantity
Differential Bearing	JLM104948-LM104911A	2
Pinion Head Bearing	HM88649-HM88610	1
Pinion Tail Bearing	02872-02820	1
Pinion Seal	5778 (15788)	1
Pinion Seal	50531	1
Crush Sleeve	CS338	1
Pinion Nut	PN8A	1
Gear Marking Compound & Brush	GMC1-BR1	1
Thread Locker	TL1	1
Sealer	RTV Silicone	1
Pinion Shims	SK29	1
Differential Shims	SK21	1
Ring Gear Bolts	RGB14	10
Pinion Nut Washer	30186	1

DRK-337

Position	Part Number	Quantity
Differential Bearing	469-453-X	2
Pinion Head Bearing	HM807046-HM807010	1
Pinion Tail Bearing	M802048-M802011	1
Pinion Seal	4525V (25140)	1
Pinion Nut	PN10	1
Gear Marking Compound & Brush	GMC1-BR1	1
Thread Locker	TL1	1
Sealer	RTV Silicone	1

DRK-337MK

Position	Part Number	Quantity
Differential Bearing	469-453-X	2
Pinion Head Bearing	HM807046-HM807010	1
Pinion Tail Bearing	M802048-M802011	1
Pinion Seal	4525V (25140)	1
Pinion Nut	PN10	1
Gear Marking Compound & Brush	GMC1-BR1	1
Thread Locker	TL1	1
Sealer	RTV Silicone	1
Pinion Adjusting Shims	SK44	1
Pinion Shims	SK43	1
Differential Shims	SK31	1
Ring Gear Bolts	RGB13	12

DRK-337A

Position	Part Number	Quantity
Differential Bearing	469-453-X	2
Pinion Head Bearing	NP516549-NP673386	1
Pinion Tail Bearing	M802048-M802011	1
Pinion Seal	DS51180	1
Pinion Nut	PN10	1
Gear Marking Compound & Brush	GMC1-BR1	1
Thread Locker	TL1	1
Sealer	RTV Silicone	1

DRK-337AMK

Position	Part Number	Quantity
Differential Bearing	469-453-X	2
Pinion Head Bearing	NP516549-NP673386	1
Pinion Tail Bearing	M802048-M802011	1
Pinion Seal	DS51180	1
Pinion Nut	PN10	1
Gear Marking Compound & Brush	GMC1-BR1	1
Thread Locker	TL1	1
Sealer	RTV Silicone	1
Pinion Adjusting Shims	SK44	1
Pinion Shims	SK29	1
Differential Shims	SK16	1
Ring Gear Bolts	RGB13	12

DRK-338

Position	Part Number	Quantity
Differential Bearing	LM501349-LM501314	2
Pinion Head Bearing	HM88649-HM88610	1
Pinion Tail Bearing	M86647-M86610	1
Pinion Seal	5778 (15788)	1
Pinion Nut	PN8A	1
Gear Marking Compound & Brush	GMC1-BR1	1
Thread Locker	TL1	1
Sealer	RTV Silicone	1

DRK-338MK

Position	Part Number	Quantity
Differential Bearing	LM501349-LM501314	2
Pinion Head Bearing	HM88649-HM88610	1
Pinion Tail Bearing	M86647-M86610	1
Pinion Seal	5778 (15788)	1
Pinion Nut	PN8A	1
Gear Marking Compound & Brush	GMC1-BR1	1
Thread Locker	TL1	1
Sealer	RTV Silicone	1
Pinion Adjusting Shims	SK19	1
Pinion Shims	SK5	1
Differential Shims	SK20	1
Ring Gear Bolts	RGB5	10

DRK-339

Position	Part Number	Quantity
Differential Bearing	LM603049-LM603011	2
Pinion Head Bearing	HM88649-HM88610	1
Pinion Tail Bearing	M86647-M86610	1
Pinion Seal	5778 (15788)	1
Pinion Nut	PN8A	1
Gear Marking Compound & Brush	GMC1-BR1	1
Thread Locker	TL1	1
Sealer	RTV Silicone	1

DRK-339MK[▲]

Position	Part Number	Quantity
Differential Bearing	LM603049-LM603011	2
Pinion Head Bearing	HM88649-HM88610	1
Pinion Tail Bearing	M86647-M86610	1
Pinion Seal	5778 (15788)	1
Pinion Nut	PN8A	1
Gear Marking Compound & Brush	GMC1-BR1	1
Thread Locker	TL1	1
Sealer	RTV Silicone	1
Pinion Adjusting Shims	SK5	1
Pinion Shims	SK4	1
Differential Shims	SK7 ¹	1

DRK-339A

Position	Part Number	Quantity
Differential Bearing	LM603049-LM603012	2
Pinion Head Bearing	M802048-M802011	1
Pinion Tail Bearing	M88048-M88010	1
Pinion Seal	719316	1
Crush Sleeve	CS333	1
Pinion Nut	PN5	1
Gear Marking Compound & Brush	GMC1-BR1	1
Thread Locker	TL1	1
Sealer	RTV Silicone	1

DRK-339AMK[▲]

Position	Part Number	Quantity
Differential Bearing	LM603049-LM603012	2
Pinion Head Bearing	M802048-M802011	1
Pinion Tail Bearing	M88048-M88010	1
Pinion Seal	719316	1
Crush Sleeve	CS333	1
Pinion Nut	PN5	1
Gear Marking Compound & Brush	GMC1-BR1	1
Thread Locker	TL1	1
Sealer	RTV Silicone	1
Pinion Shims	SK4	1
Differential Shims	SK7 ¹	1
Ring Gear Bolts	RGB5	10

DRK-339B

Position	Part Number	Quantity
Differential Bearing	25590-25523	2
Pinion Head Bearing	31594-31520	1
Pinion Tail Bearing	02872-02820	1
Pinion Seal	5778 (15788)	1
Pinion Nut	PN8A	1
Gear Marking Compound & Brush	GMC1-BR1	1
Thread Locker	TL1	1
Sealer	RTV Silicone	1

Differential Rebuild Kits

DRK-339BMK

Position	Part Number	Quantity
Differential Bearing	25590-25523	2
Pinion Head Bearing	31594-31520	1
Pinion Tail Bearing	02872-02820	1
Pinion Seal	5778 (15788)	1
Pinion Nut	PN8A	1
Gear Marking Compound & Brush	GMC1-BR1	1
Thread Locker	TL1	1
Sealer	RTV Silicone	1
Pinion Adjusting Shims	SK22	1
Pinion Shims	SK5	1
Differential Shims	SK23	1
Ring Gear Bolts	RGB5	10

DRK-339C

Position	Part Number	Quantity
Differential Bearing	25590-25523	2
Pinion Head Bearing	HM88649-HM88610	1
Pinion Tail Bearing	02872-02820	1
Pinion Seal	DS44895	1
Crush Sleeve	CS338	1
Pinion Nut	PN8AA	1
Gear Marking Compound & Brush	GMC1-BR1	1
Thread Locker	TL1	1
Sealer	RTV Silicone	1
Pinion Nut Washer	30186	1

DRK-339CMK

Position	Part Number	Quantity
Differential Bearing	25590-25523	2
Pinion Head Bearing	HM88649-HM88610	1
Pinion Tail Bearing	02872-02820	1
Pinion Seal	DS44895	1
Crush Sleeve	CS338	1
Pinion Nut	PN8AA	1
Gear Marking Compound & Brush	GMC1-BR1	1
Thread Locker	TL1	1
Sealer	RTV Silicone	1
Pinion Shims	SK38	1
Differential Shims	SK23	1
Ring Gear Bolts	RGB5	10
Pinion Nut Washer	30186	1

DRK-339D

Position	Part Number	Quantity
Differential Bearing	25590-25523	2
Pinion Head Bearing	HM88649-HM88610	1
Pinion Tail Bearing	02872-02820	1
Pinion Seal	5778 (15788)	1
Pinion Nut	PN8A	1
Gear Marking Compound & Brush	GMC1-BR1	1
Thread Locker	TL1	1
Sealer	RTV Silicone	1
Pinion Nut Washer	30186	1

DRK-339DMK

Position	Part Number	Quantity
Differential Bearing	25590-25523	2
Pinion Head Bearing	HM88649-HM88610	1
Pinion Tail Bearing	02872-02820	1
Pinion Seal	5778 (15788)	1
Pinion Nut	PN8A	1
Gear Marking Compound & Brush	GMC1-BR1	1
Thread Locker	TL1	1
Sealer	RTV Silicone	1
Pinion Shims	SK38	1
Differential Shims	SK23	1
Ring Gear Bolts	RGB5	10
Pinion Nut Washer	30186	1

DRK-339E

Position	Part Number	Quantity
Differential Bearing	25590-25523	2
Pinion Head Bearing	31594-31520	1
Pinion Tail Bearing	02872-02820	1
Pinion Seal	DS50660	1
Pinion Nut	PN8A	1
Gear Marking Compound & Brush	GMC1-BR1	1
Thread Locker	TL1	1
Sealer	RTV Silicone	1

DRK-339EMK

Position	Part Number	Quantity
Differential Bearing	25590-25523	2
Pinion Head Bearing	31594-31520	1
Pinion Tail Bearing	02872-02820	1
Pinion Seal	DS50660	1
Pinion Nut	PN8A	1
Gear Marking Compound & Brush	GMC1-BR1	1
Thread Locker	TL1	1
Sealer	RTV Silicone	1
Pinion Adjusting Shims	SK5	1
Pinion Shims	SK22	1
Differential Shims	SK47	1
Ring Gear Bolts	RGB14	10

DRK-339F

Position	Part Number	Quantity
Differential Bearing	JLM704649-JLM704610	2
Pinion Head Bearing	M802048-M802011	1
Pinion Tail Bearing	HM88649-HM88610	1
Pinion Seal	DS2004670	1
Crush Sleeve	CS345	1
Pinion Nut	PN6	1
Gear Marking Compound & Brush	GMC1-BR1	1
Thread Locker	TL1	1
Sealer	RTV Silicone	1

DRK-339FMK

Position	Part Number	Quantity
Differential Bearing	JLM704649-JLM704610	2
Pinion Head Bearing	M802048-M802011	1
Pinion Tail Bearing	HM88649-HM88610	1
Pinion Seal	DS2004670	1
Crush Sleeve	CS345	1
Pinion Nut	PN6	1
Gear Marking Compound & Brush	GMC1-BR1	1
Thread Locker	TL1	1
Sealer	RTV Silicone	1
Pinion Shims	SK4	1
Differential Shims	SK47	1
Ring Gear Bolts	RGB24	10

DRK-339G

Position	Part Number	Quantity
Differential Bearing	JLM704649-JLM704610	2
Pinion Head Bearing	M802048-M802011	1
Pinion Tail Bearing	HM88649-HM88610	1
Pinion Seal	DS2004101	1
Crush Sleeve	CS349	1
Pinion Nut	PN5	1
Gear Marking Compound & Brush	GMC1-BR1	1
Thread Locker	TL1	1
Sealer	RTV Silicone	1

DRK-339GMK

Position	Part Number	Quantity
Differential Bearing	JLM704649-JLM704610	2
Pinion Head Bearing	M802048-M802011	1
Pinion Tail Bearing	HM88649-HM88610	1
Pinion Seal	DS2004101	1
Crush Sleeve	CS349	1
Pinion Nut	PN5	1
Gear Marking Compound & Brush	GMC1-BR1	1
Thread Locker	TL1	1
Sealer	RTV Silicone	1
Pinion Shims	SK4	1
Differential Shims	SK47	1
Ring Gear Bolts	RGB24	10

DRK-340

Position	Part Number	Quantity
Differential Bearing	LM501349-LM501314	2
Pinion Head Bearing	M802048-M802011	1
Pinion Tail Bearing	HM88649-HM88610	1
Pinion Seal	DS50619	1
Crush Sleeve	CS345	1
Pinion Nut	PN6	1
Gear Marking Compound & Brush	GMC1-BR1	1
Thread Locker	TL1	1
Sealer	RTV Silicone	1

Differential Rebuild Kits

DRK-350

Position	Part Number	Quantity
Differential Bearing	17887-17831	2
Pinion Head Bearing	32307	1
Pinion Tail Bearing	30306	1
Pinion Seal	1177 (14768)	1
Crush Sleeve	CS332	1
Pinion Nut	PN11	1
Gear Marking Compound & Brush	GMC1-BR1	1
Thread Locker	TL1	1
Sealer	RTV Silicone	1

DRK-350A

Position	Part Number	Quantity
Differential Bearing	90368-50006	2
Pinion Head Bearing	32307	1
Pinion Tail Bearing	30306	1
Pinion Seal	1177 (14768)	1
Crush Sleeve	CS332	1
Pinion Nut	PN11	1
Gear Marking Compound & Brush	GMC1-BR1	1
Thread Locker	TL1	1
Sealer	RTV Silicone	1

DRK-351

Position	Part Number	Quantity
Differential Bearing	LM603049-LM603014	2
Pinion Head Bearing	32307	1
Pinion Tail Bearing	30306	1
Pinion Seal	1177 (14768)	1
Crush Sleeve	CS331	1
Pinion Nut	PN9	1
Gear Marking Compound & Brush	GMC1-BR1	1
Thread Locker	TL1	1
Sealer	RTV Silicone	1

DRK-352

Position	Part Number	Quantity
Differential Bearing	JLM104948-LM104912	2
Pinion Head Bearing	90366-35028	1
Pinion Tail Bearing	90366-30025	1
Pinion Nose Bearing	1177 (14768)	1
Crush Sleeve	CS334	1
Pinion Nut	PN9	1
Gear Marking Compound & Brush	GMC1-BR1	1
Thread Locker	TL1	1
Sealer	RTV Silicone	1
Spacer	SP2043	1

DRK-353

Position	Part Number	Quantity
Differential Bearing	17887-17831	2
Pinion Head Bearing	30306	1
Pinion Tail Bearing	90366-35044-77	1
Pinion Seal	1177 (14768)	1
Crush Sleeve	CS331	1
Pinion Nut	PN9	1
Gear Marking Compound & Brush	GMC1-BR1	1
Thread Locker	TL1	1
Sealer	RTV Silicone	1

DRK-354

Position	Part Number	Quantity
Differential Bearing Left	90366-75001	1
Differential Bearing Right	90366-50007	1
Pinion Head Bearing	90366-35028	1
Pinion Tail Bearing	90366-30025	1
Pinion Seal	1177 (14768)	1
Crush Sleeve	CS334	1
Pinion Nut	PN14	1
Gear Marking Compound & Brush	GMC1-BR1	1
Thread Locker	TL1	1
Sealer	RTV Silicone	1

DRK-354A

Position	Part Number	Quantity
Differential Right Bearing	90366-50007	1
Differential Left Bearing	90366-75001	1
Pinion Head Bearing	90366-30067	1
Pinion Tail Bearing	90366-35028	1
Pinion Seal	1177 (14768)	1
Crush Sleeve	CS334	1
Pinion Nut	PN14	1
Gear Marking Compound & Brush	GMC1-BR1	1
Thread Locker	TL1	1
Sealer	RTV Silicone	1

DRK-354AMK

Position	Part Number	Quantity
Differential Right Bearing	90366-50007	1
Differential Left Bearing	90366-75001	1
Pinion Head Bearing	90366-30067	1
Pinion Tail Bearing	90366-35028	1
Pinion Seal	1177 (14768)	1
Crush Sleeve	CS334	1
Pinion Nut	PN14	1
Gear Marking Compound & Brush	GMC1-BR1	1
Thread Locker	TL1	1
Sealer	RTV Silicone	1
Pinion Shims	SK32	1
Ring Gear Bolts	RGB19	12

DRK-355

Position	Part Number	Quantity
Differential Bearing	90366-51001	2
Pinion Head Bearing	HM88649-HM88610	1
Pinion Tail Bearing	90366-40068	1
Pinion Seal	90311-44007	1
Crush Sleeve	CS327	1
Pinion Nut	PN15	1
Gear Marking Compound & Brush	GMC1-BR1	1
Thread Locker	TL1	1
Sealer	RTV Silicone	1

DRK-355MK

Position	Part Number	Quantity
Differential Bearing	90366-51001	2
Pinion Head Bearing	HM88649-HM88610	1
Pinion Tail Bearing	90366-40068	1
Pinion Seal	90311-44007	1
Crush Sleeve	CS327	1
Pinion Nut	PN15	1
Gear Marking Compound & Brush	GMC1-BR1	1
Thread Locker	TL1	1
Sealer	RTV Silicone	1
Pinion Shims	SK49	1
Ring Gear Bolts	RGB19	12

DRK-355A

Position	Part Number	Quantity
Differential Bearing	50KB801LT	2
Pinion Head Bearing	32307	1
Pinion Tail Bearing	30306	1
Pinion Seal	1177 (14768)	1
Crush Sleeve	CS332	1
Pinion Nut	PN11	1
Gear Marking Compound & Brush	GMC1-BR1	1
Thread Locker	TL1	1
Sealer	RTV Silicone	1

DRK-355AMK

Position	Part Number	Quantity
Differential Bearing	50KB801LT	2
Pinion Head Bearing	32307	1
Pinion Tail Bearing	30306	1
Pinion Seal	1177 (14768)	1
Crush Sleeve	CS332	1
Pinion Nut	PN11	1
Gear Marking Compound & Brush	GMC1-BR1	1
Thread Locker	TL1	1
Sealer	RTV Silicone	1
Pinion Shims	SK32	1
Differential Shims	SK16	3
Ring Gear Bolts	RGB19	12

DRK-356

Position	Part Number	Quantity
Differential Right Bearing	90366-50007	1
Differential Left Bearing	90366-75001	1
Pinion Head Bearing	90366-30025	1
Pinion Tail Bearing	90366-35028	1
Pinion Seal	1177 (14768)	1
Crush Sleeve	CS334	1
Pinion Nut	PN9	1
Gear Marking Compound & Brush	GMC1-BR1	1
Thread Locker	TL1	1
Sealer	RTV Silicone	1
Gasket	GR-TFJ80F	1

Differential Rebuild Kits

DRK-356MK

Position	Part Number	Quantity
Differential Right Bearing	90366-50007	1
Differential Left Bearing	90366-75001	1
Pinion Head Bearing	90366-30025	1
Pinion Tail Bearing	90366-35028	1
Pinion Seal	1177 (14768)	1
Crush Sleeve	CS334	1
Pinion Nut	PN9	1
Gear Marking Compound & Brush	GMC1-BR1	1
Thread Locker	TL1	1
Sealer	RTV Silicone	1
Pinion Shims	SK32	1
Ring Gear Bolts	RGB20	12
Gasket	GR-TFJ80F	1

DRK-356A

Position	Part Number	Quantity
Differential Bearing	90366-50007	2
Pinion Head Bearing	90366-30025	1
Pinion Tail Bearing	90366-35028	1
Pinion Seal	1177 (14768)	1
Crush Sleeve	CS334	1
Pinion Nut	PN9	1
Gear Marking Compound & Brush	GMC1-BR1	1
Thread Locker	TL1	1
Gasket	GR-TFJ80F	1
Sealer	RTV Silicone	1

DRK-356AMK

Position	Part Number	Quantity
Differential Bearing	90366-50007	2
Pinion Head Bearing	90366-30025	1
Pinion Tail Bearing	90366-35028	1
Pinion Seal	1177 (14768)	1
Crush Sleeve	CS334	1
Pinion Nut	PN9	1
Gear Marking Compound & Brush	GMC1-BR1	1
Thread Locker	TL1	1
Gasket	GR-TFJ80F	1
Pinion Shims	SK32	1
Ring Gear Bolts	RGB20	12
Sealer	RTV Silicone	1

DRK-357

Position	Part Number	Quantity
Differential Bearing	32012-X	2
Pinion Head Bearing	30308	1
Pinion Tail Bearing	30306	1
Pinion Seal	1177 (14768)	1
Crush Sleeve	CS340	1
Pinion Nut	PN16	1
Gear Marking Compound & Brush	GMC1-BR1	1
Thread Locker	TL1	1
Gasket	GR-TFJ80R	1
Hub Gasket for full float	GR-TFJ80HUB	1
Sealer	RTV Silicone	1

DRK-357MK

Position	Part Number	Quantity
Differential Bearing	32012-X	2
Pinion Head Bearing	30308	1
Pinion Tail Bearing	30306	1
Pinion Seal	1177 (14768)	1
Crush Sleeve	CS340	1
Pinion Nut	PN16	1
Gear Marking Compound & Brush	GMC1-BR1	1
Thread Locker	TL1	1
Gasket	GR-TFJ80R	1
Hub Gasket for full float	GR-TFJ80HUB	1
Pinion Shims	SK15	1
Ring Gear Bolts	RGB20	12
Sealer	RTV Silicone	1

DRK-357A

Position	Part Number	Quantity
Differential Bearing	32010-X	2
Pinion Head Bearing	30308	1
Pinion Tail Bearing	30306	1
Pinion Seal	1177 (14768)	1
Crush Sleeve	CS340	1
Pinion Nut	PN16	1
Gear Marking Compound & Brush	GMC1-BR1	1
Thread Locker	TL1	1
Gasket	GR-TFJ80	1
Hub Gasket for full float	GR-TFJ80HUB	1
Sealer	RTV Silicone	1

DRK-357AMK

Position	Part Number	Quantity
Differential Bearing	32010-X	2
Pinion Head Bearing	30308	1
Pinion Tail Bearing	30306	1
Pinion Seal	1177 (14768)	1
Crush Sleeve	CS340	1
Pinion Nut	PN16	1
Gear Marking Compound & Brush	GMC1-BR1	1
Thread Locker	TL1	1
Gasket	GR-TFJ80	1
Hub Gasket for full float	GR-TFJ80HUB	1
Pinion Shims	SK15	1
Ring Gear Bolts	RGB20	12
Sealer	RTV Silicone	1

DRK-358

Position	Part Number	Quantity
Differential Bearing	17887-17831	2
Pinion Head Bearing	30308	1
Pinion Tail Bearing	30306	1
Pinion Seal	1177 (14768)	1
Crush Sleeve	CS340	1
Pinion Nut	PN16	1
Gear Marking Compound & Brush	GMC1-BR1	1
Thread Locker	TL1	1
Sealer	GR-TFJ80HUB	1

DRK-358MK

Position	Part Number	Quantity
Differential Bearing	17887-17831	2
Pinion Head Bearing	30308	1
Pinion Tail Bearing	30306	1
Pinion Seal	1177 (14768)	1
Crush Sleeve	CS340	1
Pinion Nut	PN16	1
Gear Marking Compound & Brush	GMC1-BR1	1
Thread Locker	TL1	1
Sealer	GR-TFJ80R	1
Pinion Shims	SK15	1
Ring Gear Bolts	RGB20	12

DRK-400

Position	Part Number	Quantity
Differential Right Bearing	3994-3920	1
Differential Left Bearing	497-493	1
Pinion Head Bearing	55175C-55437	1
Pinion Tail Bearing	HM903249-HM903210	1
Pinion Nose Bearing	MUB1305UDM	1
Pinion Seal	9773 (26373)	1
Sealer	RTV Silicone	1

DRK-401

Position	Part Number	Quantity
Differential Right Bearing	JM822049-JM822010	1
Differential Left Bearing	32024-X	1
Pinion Head Bearing	H914841-H914811	1
Pinion Tail Bearing	HM813841-HM813810	1
Pinion Nose Bearing	MU1309UUM	1
Pinion Seal	113866	1
Shift Fork Seal	119855	1
Sealer	RTV Silicone	1

DRK-402

Position	Part Number	Quantity
Differential Right Bearing	JM822049-JM822010	1
Differential Left Bearing	52400-52618	1
Pinion Head Bearing	H914841-H914811	1
Pinion Tail Bearing	HM813841-HM813810	1
Pinion Nose Bearing	MU1309UUM	1
Pinion Seal	113866	1
Sealer	RTV Silicone	1

DRK-403

Position	Part Number	Quantity
Differential Right Bearing	497-493	1
Differential Left Bearing	56425-56650	1
Pinion Head Bearing	72200C-72487	1
Pinion Tail Bearing	55200C-55437	1
Pinion Nose Bearing	MUSB1307UM	1
Pinion Seal	9773 (26373)	1
Shift Fork Seal	119855	1
Sealer	RTV Silicone	1

Differential Rebuild Kits

DRK-404F

Position	Part Number	Quantity
Differential Right Bearing	567-563	1
Differential Left Bearing	497-493	1
Pinion Head Bearing	72218C-72487	1
Pinion Tail Bearing	55212C-55437	1
Pinion Nose Bearing	MUB1307UM	1
Input Shaft Bearing	555S-552A	1
Output Shaft Bearing	29675-29630	1
Input Shaft Seal	DT7591	1
Input V-Ring	401300	1
Thrushaft Seal	DT7592	1
Sealer	RTV Silicone	1

DRK-404FMK

Position	Part Number	Quantity
Differential Right Bearing	567-563	1
Differential Left Bearing	497-493	1
Pinion Head Bearing	72218C-72487	1
Pinion Tail Bearing	55212C-55437	1
Pinion Nose Bearing	MUB1307UM	1
Input Shaft Bearing	555S-552A	1
Output Shaft Bearing	29675-29630	1
Input Shaft Seal	DT7591	1
Input V-Ring	401300	1
Thrushaft Seal	DT7592	1
Sealer	RTV Silicone	1
Input Shaft Shim .003"	127595	1
Input Shaft Shim .005"	127596	1
Input Shaft Shim .010"	127597	1
Input Shaft Shim .020"	127598	1
Input Shaft Shim .030"	127599	1
Output Shaft Gear Snap Ring	85997	1
Side Gear Thrust Washer	127836	2
Side Pinion Thrust Washer	129305	4
Helical Gear Thrust Washer	128702	1

DRK-404R

Position	Part Number	Quantity
Differential Right Bearing	497-493	1
Differential Left Bearing	567-563	1
Pinion Head Bearing	72212C-72487	1
Pinion Tail Bearing	55200C-55437	1
Pinion Nose Bearing	MUB7307UM	1
Pinion Seal	DT7591	1
Sealer	RTV Silicone	1

DRK-404RMK

Position	Part Number	Quantity
Differential Right Bearing	497-493	1
Differential Left Bearing	567-563	1
Pinion Head Bearing	72212C-72487	1
Pinion Tail Bearing	55200C-55437	1
Pinion Nose Bearing	MUB7307UM	1
Pinion Seal	DT7591	1
Sealer	RTV Silicone	1
Pinion Shim .003"	127595	1
Pinion Shim .005"	127596	1
Pinion Shim .010"	127597	1
Pinion Shim .020"	127598	1
Pinion Shim .030"	127599	1
Side Gear Thrust Washer	127836	2
Side Pinion Thrust Washer	129305	4

DRK-405F

Position	Part Number	Quantity
Differential Right Bearing	567-563	1
Differential Left Bearing	42362-42584	1
Pinion Head Bearing	72218C-72487	1
Pinion Tail Bearing	55212C-55437	1
Pinion Nose Bearing	MUB1307UM	1
Input Shaft Bearing	555S-552A	1
Output Shaft Bearing	29675-29630	1
Input Shaft Seal	DT7591	1
Input V-Ring	401300	1
Thrushaft Seal	DT7592	1
Sealer	RTV Silicone	1

DRK-405R

Position	Part Number	Quantity
Differential Right Bearing	42362-42584	1
Differential Left Bearing	567-563	1
Pinion Head Bearing	72212C-72487	1
Pinion Tail Bearing	55200C-55437	1
Pinion Nose Bearing	MUB7307UM	1
Pinion Seal	DT7591	1
Sealer	RTV Silicone	1

DRK-406

Position	Part Number	Quantity
Differential Right Bearing	598-592A	1
Differential Left Bearing	497-493	1
Pinion Head Bearing	78215C-78551	1
Pinion Tail Bearing	55200C-55437	1
Pinion Nose Bearing	MUB1308UM	1
Pinion Seal	9773 (26373)	1
Sealer	RTV Silicone	1

DRK-407

Position	Part Number	Quantity
Differential Right Bearing	497-493	1
Differential Left Bearing	598-592A	1
Pinion Head Bearing	H913842-H913810	1
Pinion Tail Bearing	72212C-72487	1
Pinion Nose Bearing	MUB1308UM	1
Pinion Seal	113866	1
Sealer	RTV Silicone	1

DRK-408

Position	Part Number	Quantity
Differential Right Bearing	497-493	1
Differential Left Bearing	56425-56650	1
Pinion Head Bearing	78215C-78551	1
Pinion Tail Bearing	72212C-72487	1
Pinion Nose Bearing	MUB5207UM	1
Pinion Seal	113866	1
Shift Shaft Seal	119855	1
Sealer	RTV Silicone	1

DRK-409

Position	Part Number	Quantity
Differential Right Bearing	JM822049-JM822010	1
Differential Left Bearing	56425-56662	1
Pinion Head Bearing	H914841-H914811	1
Pinion Tail Bearing	HM813841-HM813810	1
Pinion Nose Bearing	MU1309UM	1
Pinion Seal	113866	1
Sealer	RTV Silicone	1

DRK-410

Position	Part Number	Quantity
Differential Right Bearing	497-493	1
Differential Left Bearing	598-592A	1
Pinion Head Bearing	H914841-H914811	1
Pinion Tail Bearing	HM813841-HM813810	1
Pinion Nose Bearing	RU9008UM	1
Pinion Seal	113866	1
Sealer	RTV Silicone	1

DRK-411

Position	Part Number	Quantity
Differential Right Bearing	33275-33472	1
Differential Left Bearing	498-493	1
Pinion Head Bearing	5583-5535	1
Pinion Tail Bearing	49576-49520	1
Pinion Seal	410686-N (23756)	1
Pinion Seal	470737-N (22425)	1
Sealer	RTV Silicone	1

DRK-411F

Position	Part Number	Quantity
Differential Right Bearing	495-493	1
Differential Left Bearing	495-493	1
Pinion Head Bearing	72225C-72487	1
Pinion Tail Bearing	72225C-72487	1
Pinion Nose Bearing	MUX5207UMV1	1
Input Shaft Bearing	HM807049-HM807010	1
Input Gear Bearing	J3624	1
Inter Axle Bearing	JLM710949-JLM710910	1
Input Shaft Seal	401HH104	1
Thrushaft Seal	472HH101	1
Sealer	RTV Silicone	1

DRK-411R

Position	Part Number	Quantity
Differential Right Bearing	495-493	1
Differential Left Bearing	495-493	1
Pinion Head Bearing	72225C-72487	1
Pinion Tail Bearing	72225C-72487	1
Pinion Nose Bearing	MUX5207UMV1	1
Pinion Seal	DTHH102	1
Sealer	RTV Silicone	1

DRK-412

Position	Part Number	Quantity
Differential Right Bearing	497-493	1
Differential Left Bearing	567-563	1
Pinion Head Bearing	72200C-72487	1
Pinion Tail Bearing	55200C-55437	1
Pinion Nose Bearing	MUSB1307UM	1
Pinion Seal	9773 (26373)	1
Sealer	RTV Silicone	1

DRK-413

Position	Part Number	Quantity
Differential Right Bearing	42381-42584	1
Differential Left Bearing	68450-68712	1
Pinion Head Bearing	78215C-78551	1
Pinion Tail Bearing	72212C-72487	1
Pinion Nose Bearing	MUB1308UM	1
Pinion Seal	712937 (29471)	1
Sealer	RTV Silicone	1

DRK-414

Position	Part Number	Quantity
Differential Right Bearing	3984-3920	1
Differential Left Bearing	3984-3920	1
Pinion Head Bearing	72225C-72487	1
Pinion Tail Bearing	55175C-55437	1
Pinion Seal	714512	1
Sealer	RTV Silicone	1

DRK-415

Position	Part Number	Quantity
Differential Right Bearing	42381-42584	1
Differential Left Bearing	665-653	1
Pinion Head Bearing	72212C-72487	1
Pinion Tail Bearing	72212C-72487	1
Pinion Nose Bearing	MU1309UM	1
Pinion Seal	475003N (26220)	1
Felt Seal	5M867 (654)	1
Sealer	RTV Silicone	1

DRK-416

Position	Part Number	Quantity
Differential Right Bearing	56425-56650	1
Differential Left Bearing	56425-56650	1
Pinion Head Bearing	9185-9121	1
Pinion Tail Bearing	H715343-H715311	1
Pinion Nose Bearing	RU9008UM	1
Pinion Seal	300HH100	1
Sealer	RTV Silicone	1

DRK-417

Position	Part Number	Quantity
Differential Right Bearing	567-563	1
Differential Left Bearing	497-493	1
Pinion Head Bearing	72218C-72487	1
Pinion Tail Bearing	HM807049-HM807010	1
Pinion Nose Bearing	MUSB1307UM	1
Outer Pinion Support Bearing	MUF1208CBXV1	1
Input Shaft Front Bearing	3979-JM511910	1
Input Shaft Rear Bearing	3979-3920	1
Front Output Shaft Front Bearing	3780-3720	1
Front Output Shaft Rear Bearing	LM501349-LM501310	1
Input Shaft Seal	119429	1
Front Thrushaft Seal	475003N (26220)	1
Sealer	RTV Silicone	1

DRK-418

Position	Part Number	Quantity
Differential Right Bearing	665-653	1
Differential Left Bearing	42381-42584	1
Pinion Head Bearing	72212C-72487	1
Pinion Tail Bearing	72212C-72487	1
Pinion Nose Bearing	MUB1308UM	1
Outer Pinion Support Bearing	MU1309CV	1
Input Shaft Front Bearing	JH211749-JH211710	1
Input Shaft Rear Bearing	JM511946-JM511910	1
Front Output Shaft Front Bearing	3979-3920	1
Front Output Shaft Rear Bearing	3872-3820	1
Input Shaft Seal	119430	1
Front Thrushaft Seal	119429	1
Sealer	RTV Silicone	1

DRK-419

Position	Part Number	Quantity
Differential Right Bearing	497-493	1
Differential Left Bearing	56425-56650	1
Pinion Head Bearing	72218C-72487	1
Pinion Tail Bearing	HM807049-HM807010	1
Pinion Nose Bearing	MUSB1307UM	1
Outer Pinion Support Bearing	MUF1208CBXV1	1
Input Shaft Front Bearing	3979-JM511910	1
Input Shaft Rear Bearing	3979-3920	1
Front Output Shaft Front Bearing	3780-3720	1
Front Output Shaft Rear Bearing	LM501349-LM501310	1
Input Shaft Seal	119429	1
Front Thrushaft Seal	475003N (26220)	1
Sealer	RTV Silicone	1

DRK-420

Position	Part Number	Quantity
Differential Right Bearing	42381-42584	1
Differential Left Bearing	68462-68712	1
Pinion Head Bearing	72212C-72487	1
Pinion Tail Bearing	72212C-72487	1
Pinion Nose Bearing	MUB1308UM	1
Outer Pinion Support Bearing	MU1309CV	1
Input Shaft Front Bearing	JH211749-JH211710	1
Input Shaft Rear Bearing	JM511946-JM511910	1
Front Output Shaft Front Bearing	3979-3920	1
Front Output Shaft Rear Bearing	3872-3820	1
Input Shaft Seal	119430	1
Front Thrushaft Seal	119429	1
Sealer	RTV Silicone	1

DRK-421

Position	Part Number	Quantity
Differential Right Bearing	42346-42584	1
Differential Left Bearing	68462-68712	1
Pinion Head Bearing	72212C-72487	1
Pinion Tail Bearing	72212C-72487	1
Pinion Nose Bearing	MUB1308UM	1
Outer Pinion Support Bearing	MU1309CV	1
Input Shaft Front Bearing	JH211749-JH211710	1
Input Shaft Rear Bearing	JM511946-JM511910	1
Front Output Shaft Front Bearing	3979-3920	1
Front Output Shaft Rear Bearing	3872-3820	1
Input Shaft Seal	119430	1
Front Thrushaft Seal	119429	1
Sealer	RTV Silicone	1

DRK-422

Position	Part Number	Quantity
Differential Right Bearing	567-563	1
Differential Left Bearing	497-493	1
Pinion Head Bearing	72218C-72487	1
Pinion Tail Bearing	HM807049-HM807010	1
Pinion Nose Bearing	MUSB1307UM	1
Outer Pinion Support Bearing	MUF1208CBXV1	1
Input Shaft Front Bearing	3979-JM511910	1
Input Shaft Rear Bearing	29675-29620	1
Front Output Shaft Front Bearing	3780-3720	1
Front Output Shaft Rear Bearing	LM501349-LM501310	1
Rear Output Shaft Bearing	MA1209EL	1
Input Shaft Seal	119429	1
Front Thrushaft Seal	475003N (26220)	1
Rear Thrushaft Seal	475003N (26220)	1
Sealer	RTV Silicone	1

DRK-423

Position	Part Number	Quantity
Differential Right Bearing	665-653	1
Differential Left Bearing	42381-42584	1
Pinion Head Bearing	72212C-72487	1
Pinion Tail Bearing	72212C-72487	1
Pinion Nose Bearing	MUB1308UM	1
Outer Pinion Support Bearing	MU1309CV	1
Input Shaft Front Bearing	JM511946-JM511910	1
Input Shaft Rear Bearing	33275-33472	1
Front Output Shaft Front Bearing	3979-3920	1
Front Output Shaft Rear Bearing	HM88649-HM88610	1
Rear Output Shaft Bearing	MA1211EL	1
Input Shaft Seal	119430	1
Front Thrushaft Seal	119429	1
Rear Thrushaft Seal	119429	1
Sealer	RTV Silicone	1

Differential Rebuild Kits

DRK-424

Position	Part Number	Quantity
Differential Right Bearing	56425-56650	1
Differential Left Bearing	497-493	1
Pinion Head Bearing	72218C-72487	1
Pinion Tail Bearing	HM807049-HM807010	1
Pinion Nose Bearing	MUSB1307UM	1
Outer Pinion Support Bearing	MUF1208CBXV1	1
Input Shaft Front Bearing	3979-JM511910	1
Input Shaft Rear Bearing	29675-29620	1
Front Output Shaft Front Bearing	3780-3720	1
Front Output Shaft Rear Bearing	LM501349-LM501310	1
Rear Output Shaft Bearing	MA1209EL	1
Input Shaft Seal	119429	1
Front Thrushaft Seal	475003N (26220)	1
Rear Thrushaft Seal	475003N (26220)	1
Sealer	RTV Silicone	1

DRK-425

Position	Part Number	Quantity
Differential Right Bearing	42381-42584	1
Differential Left Bearing	68462-68712	1
Pinion Head Bearing	72212C-72487	1
Pinion Tail Bearing	72212C-72487	1
Pinion Nose Bearing	MUB1308UM	1
Outer Pinion Support Bearing	MU1309CV	1
Input Shaft Front Bearing	JM511946-JM511910	1
Input Shaft Rear Bearing	33275-33472	1
Front Output Shaft Front Bearing	3979-3920	1
Front Output Shaft Rear Bearing	HM88649-HM88610	1
Rear Output Shaft Bearing	MA1211EL	1
Input Shaft Seal	119430	1
Front Thrushaft Seal	119429	1
Rear Thrushaft Seal	119429	1
Sealer	RTV Silicone	1

DRK-426

Position	Part Number	Quantity
Differential Right Bearing	42346-42584	1
Differential Left Bearing	68462-68712	1
Pinion Head Bearing	72212C-72487	1
Pinion Tail Bearing	72212C-72487	1
Pinion Nose Bearing	MUB1308UM	1
Outer Pinion Support Bearing	MU1309CV	1
Input Shaft Front Bearing	JM511946-JM511910	1
Input Shaft Rear Bearing	33275-33472	1
Front Output Shaft Front Bearing	3979-3920	1
Front Output Shaft Rear Bearing	HM88649-HM88610	1
Rear Output Shaft Bearing	MA1211EL	1
Input Shaft Seal	119430	1
Front Thrushaft Seal	119429	1
Rear Thrushaft Seal	119429	1
Sealer	RTV Silicone	1

DRK-427

Position	Part Number	Quantity
Differential Right Bearing	NP799449-NP105857	1
Differential Left Bearing	NP380290-NP533133	1
Pinion Head Bearing	NP242732-NP611140	1
Pinion Tail Bearing	55212C-55437	1
Pinion Nose Bearing	MUB1307UM	1
Input Shaft Front Bearing	NP930036-NP193660	1
Input Shaft Rear Bearing	29675-29630	1
Output Shaft Front Bearing	LM104949-JLM104910	1
Output Shaft Rear Bearing	LM104949-JLM104910	1
Input Shaft Seal	DT7591	1
Thrushaft Seal	DT7592	1
Sealer	RTV Silicone	1

DRK-428

Position	Part Number	Quantity
Differential Right Bearing	NP799449-NP105857	1
Differential Left Bearing	42362-42584	1
Pinion Head Bearing	NP242732-NP611140	1
Pinion Tail Bearing	55212C-55437	1
Pinion Nose Bearing	MUB1307UM	1
Input Shaft Front Bearing	NP930036-NP193660	1
Input Shaft Rear Bearing	29675-29630	1
Output Shaft Front Bearing	LM104949-JLM104910	1
Output Shaft Rear Bearing	LM104949-JLM104910	1
Input Shaft Seal	DT7591	1
Thrushaft Seal	DT7592	1
Sealer	RTV Silicone	1

DRK-429

Position	Part Number	Quantity
Differential Right Bearing	NP799449-NP105857	1
Differential Left Bearing	NP380290-NP533133	1
Pinion Head Bearing	NP523912-NP611140	1
Pinion Tail Bearing	55200C-55437	1
Pinion Nose Bearing	MUB7307UM	1
Pinion Seal	DT7591	1
Sealer	RTV Silicone	1

DRK-430

Position	Part Number	Quantity
Differential Right Bearing	NP799449-NP105857	1
Differential Left Bearing	42362-42584	1
Pinion Head Bearing	NP523912-NP611140	1
Pinion Tail Bearing	55200C-55437	1
Pinion Nose Bearing	MUB7307UM	1
Pinion Seal	DT7591	1
Sealer	RTV Silicone	1

DRK-431

Position	Part Number	Quantity
Differential Right Bearing	665-653	1
Differential Left Bearing	42381-42584	1
Pinion Head Bearing	NP523912-NP611140	1
Pinion Tail Bearing	NP523912-NP611140	1
Pinion Nose Bearing	MUB1308UM	1
Outer Pinion Support	MU1309CV	1
Bearing (Pre 2/2000)		
Outer Pinion Support Bearing (Aft 2/2000)	MU1309UM	1
Input Shaft Front Bearing	JM511946-JM511910	1
Output Shaft Front Bearing	33275-33472	1
Output Shaft Rear Bearing	MA1211EL	1
Input Shaft Seal	210736	1
Thrushaft Seal	210737	1
Sealer	RTV Silicone	1

DRK-432

Position	Part Number	Quantity
Differential Right Bearing	68462-68712	1
Differential Left Bearing	42381-42584	1
Pinion Head Bearing	72212C-72487	1
Pinion Tail Bearing	72212C-72487	1
Pinion Nose Bearing	MUB1308UM	1
Input Shaft Bearing	JM511946-JM511910	1
Outer Pinion Support Bearing	MU1309UM	1
Output Shaft Front Bearing	33275-33472	1
Output Shaft Rear Bearing	MA1211EL	1
Input Shaft Seal	415164N (33699)	1
Thrushaft Seal	475012N (29322)	1
Sealer	RTV Silicone	1

DRK-433

Position	Part Number	Quantity
Differential Right Bearing	665-653	1
Differential Left Bearing	42381-42584	1
Pinion Head Bearing	72212C-72487	1
Pinion Tail Bearing	72212C-72487	1
Pinion Nose Bearing	MUB1308UM	1
Input Shaft Bearing	JM511946-JM511910	1
Output Shaft Front Bearing	33275-33472	1
Output Shaft Rear Bearing	MA1211EL	1
Outer Pinion Support Bearing	MU1309UM	1
Input Shaft Seal	415164N (33699)	1
Thrushaft Seal	475012N (29322)	1
Sealer	RTV Silicone	1

DRK-434

Position	Part Number	Quantity
Differential Right Bearing	3984-3920	1
Differential Left Bearing	3984-3920	1
Pinion Head Bearing	72212C-72487	1
Pinion Tail Bearing	55200C-55437	1
Pinion Seal	DT7591	1
Sealer	RTV Silicone	1

DRK-435

Position	Part Number	Quantity
Differential Right Bearing	68462-68712	1
Differential Left Bearing	42381-42584	1
Pinion Head Bearing	NP523912-NP611140	1
Pinion Tail Bearing	NP523912-NP611140	1
Pinion Nose Bearing	MUB1308UM	1
Outer Pinion Support Bearing (Pre 2/2000)	MU1309CV	1
Outer Pinion Support Bearing (Aft 2/2000)	MU1309UM	1
Input Shaft Front Bearing	JM511946-JM511910	1
Output Shaft Front Bearing	33275-33472	1
Output Shaft Rear Bearing	MA1211EL	1
Input Shaft Seal	210736	1
Thrushaft Seal	210737	1
Sealer	RTV Silicone	1

DRK-436

Position	Part Number	Quantity
Differential Right Bearing	NP237087-NP049312.904A4	1
Differential Left Bearing	NP374995-NP120322.904A5	1
Pinion Head Bearing	NP478770-NP547156	1
Pinion Tail Bearing	NP846736-NP166419	1
Input Shaft Front Bearing	HM813844-HM813810	1
Input Shaft Rear Bearing	NP171276-NP943289	1
Input Shaft Seal & Pinion Nut Kit	131008K	1
Input Shaft V-Ring	401300	1
Thrushaft Seal	210737	1
Input Shaft Thrust Washer	131354	1
Sealer	RTV Silicone	1

DRK-437

Position	Part Number	Quantity
Differential Right Bearing	NP237087-NP049312.904A4	1
Differential Left Bearing	NP374995-NP120322.904A5	1
Pinion Head Bearing	NP478770-NP547156	1
Pinion Tail Bearing	NP846736-NP166419	1
Pinion Nose Bearing	WUB61308UM	1
Input Shaft Front Bearing	HM813844-HM813810	1
Input Shaft Rear Bearing	NP171276-NP943289	1
Input Shaft Seal & Pinion Nut Kit	131008K	1
Input Shaft V-Ring	401300	1
Thrushaft Seal	210737	1
Input Shaft Thrust Washer	131354	1
Sealer	RTV Silicone	1

DRK-438

Position	Part Number	Quantity
Differential Right Bearing	NP374995-NP120322.904A5	1
Differential Left Bearing	NP374995-NP120322.904A5	1
Pinion Head Bearing	NP478770-NP547156	1
Pinion Tail Bearing	NP927527-NP547156	1
Pinion Nose Bearing	WUB61308UM	1
Pinion Seal & Nut Kit	131008K	1
Sealer	RTV Silicone	1

DRK-439

Position	Part Number	Quantity
Differential Right Bearing	NP374995-NP120322.904A5	1
Differential Left Bearing	NP374995-NP120322.904A5	1
Pinion Head Bearing	NP478770-NP547156	1
Pinion Tail Bearing	NP927527-NP547156	1
Pinion Seal & Nut Kit	131008K	1
Sealer	RTV Silicone	1

DRK-440

Position	Part Number	Quantity
Differential Right Bearing	NP237087-NP049312.904A4	1
Differential Left Bearing	NP374995-NP120322.904A5	1
Pinion Head Bearing	NP478770-NP547156	1
Pinion Tail Bearing	NP927527-NP547156	1
Pinion Nose Bearing	WUB61308UM	1
Pinion Seal & Nut Kit	131008K	1
Sealer	RTV Silicone	1

DRK-441

Position	Part Number	Quantity
Differential Right Bearing	NP237087-NP049312.904A4	1
Differential Left Bearing	NP374995-NP120322.904A5	1
Pinion Head Bearing	NP478770-NP547156	1
Pinion Tail Bearing	NP927527-NP547156	1
Pinion Nose Bearing	MUB1308UM	1
Pinion Seal & Nut Kit	131008K	1
Sealer	RTV Silicone	1

DRK-442

Position	Part Number	Quantity
Differential Right Bearing	NP374995-NP120322.904A5	1
Differential Left Bearing	NP374995-NP120322.904A5	1
Pinion Head Bearing	NP478770-NP547156	1
Pinion Tail Bearing	NP846736-NP166419	1
Input Shaft Front Bearing	HM813844-HM813810	1
Input Shaft Rear Bearing	NP171276-NP943289	1
Input Shaft Seal & Pinion Nut Kit	131008K	1
Input Shaft V-Ring	401300	1
Thrushaft Seal	210737	1
Input Shaft Thrust Washer	131354	1
Sealer	RTV Silicone	1

DRK-443

Position	Part Number	Quantity
Differential Right Bearing	NP237087-NP049312.904A4	1
Differential Left Bearing	NP374995-NP120322.904A5	1
Pinion Head Bearing	NP478770-NP547156	1
Pinion Tail Bearing	NP927527-NP547156	1
Pinion Nose Bearing	WUB61308UM	1
Pinion Seal & Nut Kit	131008K	1
Sealer	RTV Silicone	1

DRK-444

Position	Part Number	Quantity
Differential Right Bearing	NP237087-NP049312.904A4	1
Differential Left Bearing	NP374995-NP120322.904A5	1
Pinion Head Bearing	NP478770-NP547156	1
Pinion Tail Bearing	NP927527-NP547156	1
Pinion Seal & Nut Kit	131008K	1
Sealer	RTV Silicone	1

DRK-445

Position	Part Number	Quantity
Differential Right Bearing	567-563	1
Differential Left Bearing	NP380290-NP533133	1
Pinion Head Bearing	72200C-NP611140	1
Pinion Tail Bearing	55200C-55437	1
Pinion Nose Bearing	MUB7307UM	1
Pinion Seal	DT7591	1
Sealer	RTV Silicone	1

DRK-446

Position	Part Number	Quantity
Differential Right Bearing	567-563	1
Differential Left Bearing	NP380290-NP533133	1
Pinion Head Bearing	72200C-NP611140	1
Pinion Tail Bearing	55200C-55437	1
Pinion Nose Bearing	WUB61307UM	1
Pinion Seal	DT7591	1
Sealer	RTV Silicone	1

DRK-447

Position	Part Number	Quantity
Differential Right Bearing	567-563	1
Differential Left Bearing	NP380290-NP533133	1
Pinion Head Bearing	NP523912-NP611140	1
Pinion Tail Bearing	55200C-55437	1
Pinion Nose Bearing	MUB7307UM	1
Pinion Seal	DT7591	1
Sealer	RTV Silicone	1

DRK-448

Position	Part Number	Quantity
Differential Right Bearing	567-563	1
Differential Left Bearing	NP380290-NP533133	1
Pinion Head Bearing	NP523912-NP611140	1
Pinion Tail Bearing	55200C-55437	1
Pinion Nose Bearing	WUB61307UM	1
Pinion Seal	DT7591	1
Sealer	RTV Silicone	1

DRK-449

Position	Part Number	Quantity
Differential Right Bearing	42381-42584	1
Differential Left Bearing	665-653	1
Pinion Head Bearing	78215C-78551	1
Pinion Tail Bearing	72212C-72487	1
Pinion Nose Bearing	MUB1308UM	1
Pinion Seal	210724	1
Sealer	RTV Silicone	1

Differential Rebuild Kits

DRK-500

Position	Part Number	Quantity
Differential Right Bearing	47687-47623A	1
Differential Left Bearing	HM516448-HM516414B	1
Pinion Head Bearing	596-592A	1
Pinion Tail Bearing	H715348-H715311	1
Cross Shaft Right Bearing	H715334-H715311	1
Cross Shaft Left Bearing	H715345-H715311	1
Input Shaft Bearing	1213L	1
Inter Axle Bearing	1211	1
Input Shaft Seal	4491-V	1
Thrushaft Seal	4492-V	1
O-Ring	OR-256	1
O-Ring	OR-260	1
O-Ring	OR-270	1
Gasket	GG53916	1
Gasket	GG53917	1
Sealer	RTV Silicone	1

DRK-501

Position	Part Number	Quantity
Differential Right Bearing	47687-47623A	1
Differential Left Bearing	HM516448-HM516414B	1
Pinion Head Bearing	6466-6420	1
Pinion Tail Bearing	H715334-H715311	1
Cross Shaft Right Bearing	H715334-H715311	1
Cross Shaft Left Bearing	H715345-H715311	1
Pinion Seal	4491V	1
O-Ring	OR-256	1
O-Ring	OR-270	1
Gasket Set	BGK3902	1
Sealer	RTV Silicone	1

DRK-502

Position	Part Number	Quantity
Differential Right Bearing	47681-47623A	1
Differential Left Bearing	47681-47623AB	1
Pinion Head Bearing	5760-5735	1
Pinion Tail Bearing	49585-49520	1
Cross Shaft Right Bearing	624-612	1
Cross Shaft Left Bearing	H414249-H414211W	1
Pinion Seal	35009N (27452)	1
Sealer	RTV Silicone	1

DRK-503

Position	Part Number	Quantity
Differential Right Bearing	47687-47623A	1
Differential Left Bearing	HM516448-HM516414B	1
Pinion Head Bearing	5760-5735	1
Pinion Tail Bearing	559-552A	1
Cross Shaft Right Bearing	621-612	1
Cross Shaft Left Bearing	H715345-H715313W	1
Pinion Seal	415991N (34891)	1
O-Ring Set	OK-503	1
Gasket Set	GT-503	1
Sealer	RTV Silicone	1

DRK-504

Position	Part Number	Quantity
Differential Right Bearing	47681-47622W	1
Differential Left Bearing	47681-47622BW	1
Pinion Head Bearing	643-632	1
Pinion Tail Bearing	559-552A	1
Cross Shaft Right Bearing	624-612	1
Cross Shaft Left Bearing	645X-634W	1
Input Shaft Bearing	310	1
Power Divider Bearing	MU1211CL	1
Inter Axle Bearing	309	1
Input Shaft Seal	415013N (29925)	1
Thrushaft Seal	415001N (25065)	1
Sealer	RTV Silicone	1

DRK-505

Position	Part Number	Quantity
Differential Right Bearing	47681-47622W	1
Differential Left Bearing	47681-47622BW	1
Pinion Head Bearing	643-632	1
Pinion Tail Bearing	555-552A	1
Cross Shaft Right Bearing	624-612	1
Cross Shaft Left Bearing	645X-634W	1
Input Shaft Seal	415013N (29925)	1
Thrushaft Seal	415001N (25065)	1
Sealer	RTV Silicone	1

DRK-506

Position	Part Number	Quantity
Differential Right Bearing	77375-77676W	1
Differential Left Bearing	77375-77676BW	1
Pinion Head Bearing	6460-6420	1
Pinion Tail Bearing	65225-65550	1
Cross Shaft Right Bearing	835-833W	1
Cross Shaft Left Bearing	6576-6535W	1
Pinion Seal	415156N	1
Sealer	RTV Silicone	1

DRK-600

Position	Part Number	Quantity
Differential Right Bearing	495-493	1
Differential Left Bearing	495-493	1
Pinion Tail Bearing	66212-66462	1
Pinion Head Bearing	72225C-72487	1
Pinion Seal	35009-N (27452)	1
Pinion Nose Bearing	MUB1307UM	1
Sealer	RTV Silicone	1

DRK-700

Position	Part Number	Quantity
Differential Right Bearing	388A-382	1
Differential Left Bearing	388A-382	1
Pinion Head and Tail Bearing	A1011 (55197 Assy 90030) ■	1
Pinion Nose Bearing	MR5205EL	1
Pinion Seal	411330N (25970)	1
Felt Seal	5M89 (528)	1
Sealer	RTV Silicone	1

■ Replace Entire Assembly

DRK-701

Position	Part Number	Quantity
Differential Right Bearing	28990-28919	1
Differential Left Bearing	28990-28919	1
Pinion Head Bearing	5310WA	1
Pinion Tail Bearing	MU1306TDM	1
Pinion Seal	411330N (25970)	1
Felt Seal	5M89 (528)	1

DRK-702

Position	Part Number	Quantity
Differential Right Bearing	KR12051Z	1
Differential Left Bearing	KR12051Z	1
Pinion Head and Tail Bearing	A1011 (55197 Assy 90030) ■	1
Pinion Nose Bearing	MR5206EL	1
Pinion Seal	411330N (25970)	1
Felt Seal	5M89 (528)	1
Sealer	RTV Silicone	1

■ Replace Entire Assembly

DRK-801

Position	Part Number	Quantity
Differential Right Bearing	594-592A	1
Differential Left Bearing	594-592A	1
Pinion Head Bearing	31315	1
Pinion Tail Bearing	HM911245-HM911210	1
Pinion Nose Bearing	MU1308UM	1
Input Shaft Front Bearing	30214	1
Input Shaft Rear Bearing	JLM714149-JLM714110	1
Input Shaft Front Needle Bearing	183788	1
Input Shaft Rear Needle Bearing	181632	1
Output Shaft Bearing	310	1
Input Shaft Seal	948642	1
Thrushaft Seal	948448	1

DRK-802

Position	Part Number	Quantity
Differential Right Bearing	594-592A	1
Differential Left Bearing	594-592A	1
Pinion Head Bearing	H913843-H913810	1
Pinion Tail Bearing	HM911245-HM911210	1
Pinion Nose Bearing	MU1308UM	1
Pinion Seal	1522895	1

DRK-900F

Position	Part Number	Quantity
Differential Right Bearing	496-493	1
Differential Left Bearing	497-493 ■	1
Pinion Head Bearing	72200C-72487	1
Pinion Tail Bearing	72200C-72487	1
Pinion Nose Bearing	RU1570UM	1
Drive Gear Front Bearing	29675-29630	1
Drive Gear Rear Bearing	29675-29630	1
Idler Gear Cone	31597	2
Idler Gear Cup	31520 ●	2
Input Shaft Bearing	211B	1
Thrushaft Bearing	LM603049-LM603011 ●	2
Input Shaft Seal	35949N (29288)	1
Thrushaft Seal	475322N (27295) ●	1
Sealer	RTV Silicone	1

■ Use 496-493 for ratios above 4.63:1

DRK-900FA

Position	Part Number	Quantity
Differential Right Bearing	496-493	1
Differential Left Bearing	497-493	1
Pinion Head Bearing	72200C-72487	1
Pinion Tail Bearing	72200C-72487	1
Pinion Nose Bearing	RU1570UM	1
Drive Gear Front Bearing	29675-29630	1
Drive Gear Rear Bearing	29675-29630	1
Idler Gear Bearing	31597-31520	2
Input Shaft Bearing	211B	1
Thrushaft Bearing	LM603049-LM603011	2
Input Shaft Seal	35949N (29288)	1
Thrushaft Seal	475322N (27295)*	1
Sealer	RTV Silicone	1

*Use 496-493 for ratios above 4.63:1

DRK-1910

Position	Part Number	Quantity
Differential Right Bearing	683-672	1
Differential Left Bearing	683-672	1
Pinion Head Bearing	42350-42584	1
Pinion Tail Bearing	42350-42584	1
Cross Shaft Left Bearing	MU1221UM	1
Cross Shaft Right Bearing	641-632	2
Rear Pinion Bearing	MR1213EL	1
Pinion Seal	415086N (30055)	2
Sealer	RTV Silicone	1

DRK-1918

Position	Part Number	Quantity
Differential Right Bearing	33281-33472	1
Differential Left Bearing	33281-33472	1
Pinion Head Bearing	55187C-55443	1
Pinion Tail Bearing	55176C-55443	1
Pinion Nose Bearing	RU1570UM	1
Pinion Seal	410101N	1
Sealer	RTV Silicone	1

DRK-1925

Position	Part Number	Quantity
Differential Right Bearing	47686-47620	1
Differential Left Bearing	47686-47620	1
Pinion Head Bearing	H715345-H715311	1
Pinion Tail Bearing	HM807046-HM807010	1
Cross Shaft Right Bearing	65225-65500	1
Cross Shaft Left Bearing	65225-65500	1
Pinion Seal	476283N (27601)	1
Sealer	RTV Silicone	1

DRK-1925A

Position	Part Number	Quantity
Differential Right Bearing	HM516449C-HM516410	1
Differential Left Bearing	HM516449C-HM516410	1
Pinion Head Bearing	H715345-H715311	1
Pinion Tail Bearing	HM807046-HM807010	1
Cross Shaft Right Bearing	65225-65500	1
Cross Shaft Left Bearing	65225-65500	1
Pinion Seal	476283N (27601)	1
Sealer	RTV Silicone	1

DRK-1926

Position	Part Number	Quantity
Differential Right Bearing	34301-34500	1
Differential Left Bearing	42688-42620	1
Pinion Head Bearing	55200C-55437	1
Pinion Tail Bearing	55187C-55437	1
Pinion Nose Bearing	RU1570UM	1
Pinion Seal	35009N (27452)	1
Sealer	RTV Silicone	1

DRK-1984

Position	Part Number	Quantity
Differential Right Bearing	47890-47820	1
Differential Left Bearing	47890-47820	1
Pinion Head Bearing	H715343-H715311	1
Pinion Tail Bearing	H715343-H715311	1
Pinion Nose Bearing	MU1308UM	1
Input Shaft Front Bearing	3767-3720	1
Input Shaft Rear Bearing	3775-3720	1
Idler Gear Front Bearing	49585-49520	1
Idler Gear Rear Bearing	HM807046-HM807010	1
Input Shaft Seal	4564V	1
Sealer	RTV Silicone	1

DRK-2108

Position	Part Number	Quantity
Differential Right Bearing	687-672	1
Differential Left Bearing	687-672	1
Pinion Head Bearing	HM813844-HM813810	1
Pinion Tail Bearing	H715341-H715311	1
Pinion Nose Bearing	MU5208UM	1
Pinion Seal (C100)	6612S (35098)	1
Sealer	RTV Silicone	1

DRK-2111

Position	Part Number	Quantity
Differential Right Bearing	395-394A	1
Differential Left Bearing	395-394A	1
Pinion Head Bearing	M903345-M903310	1
Pinion Tail Bearing	44143-44348	1
Pinion Nose Bearing	MU1305TDM	1
Pinion Seal (C100)	470308N (21203)	1
Pinion Seal (C102 & C103)	475080N (21379)	1
Sealer	RTV Silicone	1

DRK-4095

Position	Part Number	Quantity
Differential Right Bearing	47890-47820	1
Differential Left Bearing	47890-47820	1
Pinion Head Bearing	H715343-H715311	1
Pinion Tail Bearing	65237-65500	1
Inter Differential Bearing	JLM714149-JLM714110	1
Input Shaft Bearing	JH211749-JH211710	1
Output Shaft Bearing	LM104949-JLM104910	2
Input Shaft Seal	416470N (32385)	1
Thrushaft Seal	4492V (27558)	1
Sealer	RTV Silicone	1

DRK-4100

Position	Part Number	Quantity
Differential Right Bearing	47890-47820	1
Differential Left Bearing	47890-47820	1
Pinion Head Bearing	H715343-H715311	1
Pinion Tail Bearing	65237-65500	1
Inter Differential Bearing	JLM714149-JLM714110	1
Input Shaft Bearing	JH211749-JH211710	1
Thrushaft Bearing	210	1
Input Shaft Seal	416470N (32385)	1
Thrushaft Seal	475322N (27295)	1
O-Ring	5X591	1
Sealer	RTV Silicone	1
Threadlocker	TL1	1

DRK-4105

Position	Part Number	Quantity
Differential Right Bearing	47890-47820	1
Differential Left Bearing	47890-47820	1
Pinion Head Bearing	H715343-H715311	1
Pinion Tail Bearing	H715334-H715311	1
Pinion Nose Bearing	MU1308UM	1
Pinion Seal	4876N	1
Sealer	RTV Silicone	1

DRK-4125

Position	Part Number	Quantity
Differential Right Bearing	598-592A	1
Differential Left Bearing	52387-52618	1
Pinion Head Bearing	78250AC-78551	1
Pinion Tail Bearing	78250AC-78551	1
Pinion Nose Bearing	MUC1309UM	1
Input Shaft Front Bearing	HM813841-HM813810	1
Input Shaft Rear Bearing	JM515649-JM515610	1
Thrushaft Bearing	385A-382A	2
Oil Pump Idler Gear Bearing	5204K	1
Input Shaft Seal	416470N (32385)	1
Thrushaft Seal	415013N (29925)	1
Sealer	RTV Silicone	1

DRK-4130

Position	Part Number	Quantity
Differential Right Bearing	598-592A	1
Differential Left Bearing	52387-52618	1
Pinion Head Bearing	H715343-H715311	1
Pinion Tail Bearing	H715334-H715311	1
Pinion Nose Bearing	MUC1309UM	1
Pinion Seal	415086N (30055)	1
Sealer	RTV Silicone	1

Differential Rebuild Kits

DRK-4135

Position	Part Number	Quantity
Differential Right Bearing	598-592A	1
Differential Left Bearing	52387-52618	1
Pinion Head Bearing	78250AC-78551	1
Pinion Tail Bearing	78250AC-78551	1
Pinion Nose Bearing	MUB1309UM	1
Input Shaft Front Bearing	HM813844-HM813810	1
Input Shaft Rear Bearing	JM515649-JM515610	1
Thrushaft Bearing	385A-382A	2
Oil Pump Idler Gear Bearing	LM11949ASSY90013	1
Input Shaft Seal	416470N (32385)	1
Thrushaft Seal	415013N (29925)	1
Sealer	RTV Silicone	1

DRK-4140

Position	Part Number	Quantity
Differential Right Bearing	598-592A	1
Differential Left Bearing	52387-52618	1
Pinion Head Bearing	78250AC-78551	1
Pinion Tail Bearing	78250AC-78551	1
Pinion Nose Bearing	MUB1309UM	1
Input Shaft Front Bearing	HM813844-HM813810	1
Input Shaft Rear Bearing	JM515649-JM515610	1
Thrushaft Bearing	385A-382A	2
Oil Pump Idler Gear Bearing	LM11949ASSY90013	1
Input Shaft Seal	DTR2592	1
Thrushaft Seal	415013N (29925)	1
Sealer	RTV Silicone	1

DRK-4145

Position	Part Number	Quantity
Differential Right Bearing	598-592A	1
Differential Left Bearing	52387-52618	1
Pinion Head Bearing	78250AC-78551	1
Pinion Tail Bearing	78250AC-78551	1
Pinion Nose Bearing	MUC1309UM	1
Input Shaft Front Bearing	HM813844-HM813810	1
Input Shaft Rear Bearing	JM515649-JM515610	1
Thrushaft Bearing	385A-382A	2
Oil Pump Idler Gear Bearing	LM11949ASSY90013	1
Input Shaft Seal	416470N (32385)	1
Thrushaft Seal	415013N (29925)	1
Sealer	RTV Silicone	1

DRK-4150

Position	Part Number	Quantity
Differential Right Bearing	598-592A	1
Differential Left Bearing	52387-52618	1
Pinion Head Bearing	H715343-H715311	1
Pinion Tail Bearing	H715334-H715311	1
Pinion Nose Bearing	MUB1309TM	1
Pinion Seal	3143N	1
Sealer	RTV Silicone	1

DRK-4155

Position	Part Number	Quantity
Differential Right Bearing	598-592A	1
Differential Left Bearing	52387-52618	1
Pinion Head Bearing	78250AC-78551	1
Pinion Tail Bearing	78250AC-78551	1
Pinion Nose Bearing	MUB1309UM	1
Input Shaft Front Bearing	496-493	1
Input Shaft Rear Bearing	29685-29620	1
Input Shaft Seal	DTP2590	1
Sealer	RTV Silicone	1

DRK-4155A

Position	Part Number	Quantity
Differential Right Bearing	598-592A	1
Differential Left Bearing	52387-52618	1
Pinion Head Bearing	78250AC-78551	1
Pinion Tail Bearing	78250AC-78551	1
Pinion Nose Bearing	MUC1309UM	1
Input Shaft Front Bearing	496-493	1
Input Shaft Rear Bearing	29685-29620	1
Input Shaft Seal	DTP2590	1
Sealer	RTV Silicone	1

DRK-4180

Position	Part Number	Quantity
Differential Right Bearing	581-572	1
Differential Left Bearing	581-572	1
Pinion Head Bearing	42350-42584	1
Pinion Tail Bearing	497-493	1
Pinion Nose Bearing	MR1212EL	1
Cross Shaft Right Bearing	66225-66462	2
Cross Shaft Left Bearing	MU1218TDHM	1
Cross Shaft Left Bearing	5211W	1
Thrushaft Bearing	210	1
Input Shaft Seal	475012N (29322)	1
Thru Shaft Seal	475322N (27295)	1
Sealer	RTV Silicone	1

DRK-4190

Position	Part Number	Quantity
Differential Right Bearing	HM516449C-HM516410	1
Differential Left Bearing	HM516449C-HM516410	1
Pinion Head Bearing	42350-42584	1
Pinion Tail Bearing	497-493	1
Pinion Nose Bearing	MR1213EL	1
Cross Shaft Right Bearing	66225-66462	2
Cross Shaft Left Bearing	MU1218TDHM	1
Input Shaft Seal	3591 (27642)	1
Thrushaft Seal	415272N (27565)	1
Sealer	RTV Silicone	1

DRK-4220

Position	Part Number	Quantity
Differential Right Bearing	HM516449C-HM516410	1
Differential Left Bearing	HM516449C-HM516410	1
Pinion Head Bearing	42350-42584	1
Pinion Tail Bearing	497-493	1
Pinion Nose Bearing	MR1213EL	1
Cross Shaft Right Bearing	66225-66462	2
Cross Shaft Left Bearing	MU1218TDHM	1
Input Shaft Bearing	394A-392	2
Thrushaft Bearing	385A-382A	2
Input Shaft Seal	415137 (32502)	1
Thrushaft Seal	415272N (27565)	1
Sealer	RTV Silicone	1

DRK-4240

Position	Part Number	Quantity
Differential Right Bearing	HM516449C-HM516410	1
Differential Left Bearing	HM516449C-HM516410	1
Pinion Head Bearing	42350-42584	1
Pinion Tail Bearing	497-493	1
Pinion Nose Bearing	MR1213EL	1
Cross Shaft Right Bearing	641-632	2
Cross Shaft Left Bearing	MU1221UM	1
Input Shaft Seal	3591 (27642)	1
Thrushaft Seal	415272N (27565)	1
Sealer	RTV Silicone	1

DRK-4245

Position	Part Number	Quantity
Differential Right Bearing	HM516449C-HM516410	1
Differential Left Bearing	HM516449C-HM516410	1
Pinion Head Bearing	42350-42584	1
Pinion Tail Bearing	497-493	1
Pinion Nose Bearing	MR1213EL	1
Cross Shaft Right Bearing	641-632	2
Cross Shaft Left Bearing	MU1221UM	1
Input Shaft Bearing	387A-382A	1
Thrushaft Bearing	210	1
Input Shaft Seal	415086N (30055)	1
Thrushaft Seal	415004 (27370)	1
Sealer	RTV Silicone	1

DRK-4255

Position	Part Number	Quantity
Differential Right Bearing	683-672	1
Differential Left Bearing	683-672	1
Pinion Head Bearing	42350-42584	1
Pinion Tail Bearing	42350-42584	1
Pinion Nose Bearing	MR1213EL	1
Cross Shaft Right Bearing	641-632	2
Cross Shaft Left Bearing	MU1221UM	1
Input Shaft Bearing	5212-W	1
Thrushaft Bearing	212	1
Input Shaft Seal	415086N (30055)	1
Thrushaft Seal	415004 (27370)	1
Sealer	RTV Silicone	1

DRK-4260

Position	Part Number	Quantity
Differential Right Bearing	683-672	1
Differential Left Bearing	683-672	1
Pinion Head Bearing	42350-42584	1
Pinion Tail Bearing	42350-42584	1
Pinion Nose Bearing	MR1213EL	1
Cross Shaft Right Bearing	641-632	2
Cross Shaft Left Bearing	MU1221UM	1
Input Shaft Bearing	394A-392	2
Thrushaft Bearing	385A-382A	2
Input Shaft Seal	415137 (32502)	1
Thrushaft Seal	415272N (27565)	1
Sealer	RTV Silicone	1

DRK-4270

Position	Part Number	Quantity
Differential Right Bearing	683-672	1
Differential Left Bearing	683-672	1
Pinion Head Bearing	42350-42584	1
Pinion Tail Bearing	497-493	1
Pinion Nose Bearing	MR1213EL	1
Cross Shaft Right Bearing	641-632	1
Cross Shaft Left Bearing	MU1221UM	1
Input Shaft Seal	3591 (27642)	1
Thrushaft Seal	415272N (27565)	1
Sealer	RTV Silicone	1

DRK-4290

Position	Part Number	Quantity
Differential Right Bearing	3994-JM511910	1
Differential Left Bearing	3994-JM511910	1
Pinion Head Bearing	HM903244-HM903210	1
Pinion Tail Bearing	44143-44348	1
Pinion Nose Bearing	MU1305TDM	1
Pinion Seal	470308N (21203)	1
Sealer	RTV Silicone	1

DRK-4295

Position	Part Number	Quantity
Differential Right Bearing	3994-JM511910	1
Differential Left Bearing	3994-JM511910	1
Pinion Head Bearing	HM903244-HM903216	1
Pinion Tail Bearing	44143-44348	1
Pinion Nose Bearing	MU1305TDM	1
Pinion Seal	470308N (21203)	1
Sealer	RTV Silicone	1

DRK-4300

Position	Part Number	Quantity
Differential Right Bearing	3994-JM511910	1
Differential Left Bearing	3994-JM511910	1
Pinion Head Bearing	HM803146-HM803110	1
Pinion Tail Bearing	44143-44348	1
Pinion Nose Bearing	MU1305TDM	1
Pinion Seal	475080N (21379)	1
Sealer	RTV Silicone	1
Threadlocker	TL1	1

DRK-4310

Position	Part Number	Quantity
Differential Right Bearing	3994-JM511910	1
Differential Left Bearing	3994-JM511910	1
Pinion Head Bearing	HM903249A-HM903216	1
Pinion Tail Bearing	HM903249A-HM903216	1
Pinion Nose Bearing	MUB1305UDM	1
Pinion Seal	470737N (22425)	1
Sealer	RTV Silicone	1
Threadlocker	TL1	1

DRK-4315

Position	Part Number	Quantity
Differential Right Bearing	3994-JM511910	1
Differential Left Bearing	3994-JM511910	1
Pinion Head Bearing	HM803149-HM803110	1
Pinion Tail Bearing	HM803149-HM803110	1
Pinion Nose Bearing	MUB1305UDM	1
Pinion Seal	475234N (22619)	1
Sealer	RTV Silicone	1
Threadlocker	TL1	1

DRK-4325

Position	Part Number	Quantity
Differential Right Bearing	33275-33472	1
Differential Left Bearing	47490-47420	1
Pinion Head Bearing	HM807044-HM807010	1
Pinion Tail Bearing	M804049-M804010	1
Pinion Nose Bearing	RU1570UM	1
Pinion Seal	470574N (23678)	1
Sealer	RTV Silicone	1

DRK-4330

Position	Part Number	Quantity
Differential Right Bearing	JLM714149-JLM714110	1
Differential Left Bearing	JLM714149-JLM714110	1
Pinion Head Bearing	55200C-55437	1
Pinion Tail Bearing	HM804846-HM804810	1
Pinion Nose Bearing	RU1570UM	1
Pinion Seal	415082N (25102)	1
Sealer	RTV Silicone	1

DRK-4345

Position	Part Number	Quantity
Differential Right Bearing	JP10049-JP10010A	1
Differential Left Bearing	JM716649-JM716610	1
Pinion Head Bearing	55200C-55437	1
Pinion Tail Bearing	M804049-M804010	1
Pinion Nose Bearing	RU1570UM	1
Pinion Seal	415082N (25102)	1
Sealer	RTV Silicone	1

DRK-4350

Position	Part Number	Quantity
Differential Right Bearing	JM716649-JM716610	1
Differential Left Bearing	JM716649-JM716610	1
Pinion Head Bearing	55200C-55437	1
Pinion Tail Bearing	M804049-M804010	1
Pinion Nose Bearing	RU1570UM	1
Pinion Seal	415082N (25102)	1
Sealer	RTV Silicone	1

DRK-4355

Position	Part Number	Quantity
Differential Right Bearing	JM716649-JM716610	1
Differential Left Bearing	JM716649-JM716610	1
Pinion Head Bearing	H715334-H715311	1
Pinion Tail Bearing	72212C-72487	1
Input Shaft Front Bearing	JM511946-JM511910	1
Input Shaft Rear Bearing	JLM710949C-JLM710910	1
Output Shaft Bearing	LM603049-LM603011	2
Input Shaft Seal	4561V (24964)	1
Thrushaft Seal	DTP2590	1
O-Ring	5X1034	1
Sealer	RTV Silicone	1

DRK-4356

Position	Part Number	Quantity
Differential Right Bearing	JM716649-JM716610	1
Differential Left Bearing	JM716649-JM716610	1
Pinion Head Bearing	H715334-H715311	1
Pinion Tail Bearing	72212C-72487	1
Input Shaft Front Bearing	JM511945-JM511910	1
Input Shaft Rear Bearing	JLM710949C-JLM710910	1
Output Shaft Bearing	LM603049-LM603011	2
Input Shaft Seal	4561V (24964)	1
Thrushaft Seal	DTP2590	1
O-Ring	5X1034	1
Sealer	RTV Silicone	1

DRK-4360

Position	Part Number	Quantity
Differential Right Bearing	JLM714149-JLM714110	1
Differential Left Bearing	JP10049-JP10010A	1
Pinion Head Bearing	55200C-55437	1
Pinion Tail Bearing	M804049-M804010	1
Pinion Nose Bearing	MUB1305UDM	1
Pinion Seal	415082N (25102)	1
Threadlocker	TL1	1
Sealer	RTV Silicone	1

DRK-4375

Position	Part Number	Quantity
Differential Right Bearing	JM716649-JM716610	1
Differential Left Bearing	JP12049-JP12010	1
Pinion Head Bearing	78225C-78551	1
Pinion Tail Bearing	55206C-55437	1
Pinion Nose Bearing	MUB1307UBM	1
Pinion Seal	DTN2588	1
Sealer	RTV Silicone	1
Threadlocker	TL1	1

Differential Rebuild Kits

DRK-4390

Position	Part Number	Quantity
Differential Right Bearing	JM716649-JM716610	1
Differential Left Bearing	JP10049-JP10010A	1
Pinion Head Bearing	72212C-72487	1
Pinion Tail Bearing	55206C-55437	1
Pinion Nose Bearing	RU1570UM	1
Pinion Seal	DTN2588	1
Threadlocker	TL1	1
Silicone	RTV Silicone	1

DRK-4395

Position	Part Number	Quantity
Differential Right Bearing	JM716649-JM716610	1
Differential Left Bearing	JM716649-JM716610	1
Pinion Head Bearing	H715334-H715311	1
Pinion Tail Bearing	72212C-72487	1
Input Shaft Front Bearing	JM511946-3920	1
Input Shaft Rear Bearing	JLM710949C-JLM710910	1
Output Shaft Bearing	LM104949-JLM104910	2
Input Shaft Pinion Seal	DTR2592	1
Thrushaft Seal	DTP2590	1
O-Ring	5X1034	2
Threadlocker	TL1	1
Sealer	RTV Silicone	1

DRK-4396

Position	Part Number	Quantity
Differential Right Bearing	JM716649-JM716610	1
Differential Left Bearing	JM716649-JM716610	1
Pinion Head Bearing	H715334-H715311	1
Pinion Tail Bearing	72212C-72487	1
Input Shaft Front Bearing	JM511945-3920	1
Input Shaft Rear Bearing	JLM710949C-JLM710910	1
Output Shaft Bearing	LM104949-JLM104910	2
Input Shaft Seal	DTR2592	1
Thrushaft Seal	DTP2590	1
O-Ring	5X1034	2
Threadlocker	TL1	1
Sealer	RTV Silicone	1

DRK-4405

Position	Part Number	Quantity
Differential Right Bearing	JM716649-JM716610	1
Differential Left Bearing	JP10049-JP10010A	1
Pinion Head Bearing	H715334-H715311	1
Pinion Tail Bearing	72212C-72487	1
Input Shaft Front Bearing	JM511946-JM511910	1
Input Shaft Front Cup - New	3920	1
Input Shaft Rear Bearing	JLM710949C-JLM710910	1
Output Shaft Bearing	LM104949-JLM104910	2
Input Shaft Seal	DTR2592	1
Thrushaft Seal	DTP2590	1
Threadlocker	TL1	1
O-Ring	5X1034	2
Sealer	RTV Silicone	1

DRK-4406

Position	Part Number	Quantity
Differential Right Bearing	JM716649-JM716610	1
Differential Left Bearing	JP10049-JP10010A	1
Pinion Head Bearing	H715334-H715311	1
Pinion Tail Bearing	72212C-72487	1
Input Shaft Front Bearing	JM511945-3920	1
Input Shaft Rear Bearing	JLM710949C-JLM710910	1
Output Shaft Bearing	LM104949-JLM104910	2
Input Shaft Seal	DTR2592	1
Thrushaft Seal	DTP2590	1
O-Ring	5X1034	2
Threadlocker	TL1	1
Sealer	RTV Silicone	1

DRK-4415

Position	Part Number	Quantity
Differential Right Bearing	32021	1
Differential Left Bearing	32021	1
Pinion Head Bearing	9278-9220	1
Pinion Tail Bearing	HM813843-HM813810	1
Pinion Nose Bearing	A11228-P1004	1
Pinion Seal	DTQ2591	1
Threadlocker	TL1	1
Sealer	RTV Silicone	1

DRK-4420

Position	Part Number	Quantity
Differential Right Bearing	32021	1
Differential Left Bearing	32021	1
Pinion Head Bearing	H715343-H715311	1
Pinion Tail Bearing	65237-65500	1
Input Shaft Front Bearing	HM813843-HM813810	1
Input Shaft Rear Bearing	JLM714149-JLM714110	1
Pinion Seal	DTQ2591	1
O-Ring	5X1034	2
Threadlocker	TL1	1
Sealer	RTV Silicone	1

DRK-4422

Position	Part Number	Quantity
Differential Right Bearing	594A-592A	1
Differential Left Bearing	594A-592A	1
Pinion Head Bearing	H715343-H715311	1
Pinion Tail Bearing	65237-65500	1
Input Shaft Front Bearing	HM813843-HM813810	1
Input Shaft Rear Bearing	JLM714149-JLM714110	1
Pinion Seal	DTR2592	1
O-Ring	5X1034	1
Threadlocker	TL1	1
Sealer	RTV Silicone	1

DRK-4423

Position	Part Number	Quantity
Differential Right Bearing	594A-592A	1
Differential Left Bearing	52400-52618	1
Pinion Head Bearing	H715343-H715311	1
Pinion Tail Bearing	65237-65500	1
Input Shaft Front Bearing	HM813843-HM813810	1
Input Shaft Rear Bearing	JLM714149-JLM714110	1
Pinion Seal	DTR2592	1
O-Ring	5X1034	1
Threadlocker	TL1	1
Sealer	RTV Silicone	1

DRK-4426

Position	Part Number	Quantity
Differential Right Bearing	594A-592A	1
Differential Left Bearing	594A-592A	1
Pinion Head Bearing	9278-9220	1
Pinion Tail Bearing	HM813843-HM813810	1
Pinion Nose Bearing	RU9008UM	1
Pinion Seal	DTQ2591	1
Threadlocker	TL1	1
Sealer	RTV Silicone	1

DRK-4428

Part Number	Application	Quantity
Differential Right Bearing	594A-592A	1
Differential Left Bearing	52400-52618	1
Pinion Head Bearing	9278-9220	1
Pinion Tail Bearing	HM813843-HM813810	1
Pinion Nose Bearing	RU9008UM	1
Pinion Seal	DTQ2591	1
Threadlocker	TL1	1
Sealer	RTV Silicone	1

DRK-4435

Position	Part Number	Quantity
Differential Right Bearing	64450-64700	1
Differential Left Bearing	JHM720210-JHM720249	1
Pinion Head Bearing	9278-9220	1
Pinion Tail Bearing	H715334-H715311	1
Pinion Nose Bearing	MUB7309UM	1
Pinion Seal	DTQ2591	1
Threadlocker	TL1	1
Sealer	RTV Silicone	1

DRK-4436

Position	Part Number	Quantity
Differential Right Bearing	64450-64700	1
Differential Left Bearing	JHM720249-JHM720210	1
Pinion Head Bearing	9278-9220	1
Pinion Tail Bearing	H715334-H715311	1
Pinion Nose Bearing	MUC1309UM	1
Pinion Seal	DTQ2591	1
Threadlocker	TL1	1
Sealer	RTV Silicone	1

Differential Rebuild Kits

DRK-4437

Position	Part Number	Quantity
Differential Right Bearing	JM822049-JM822010	1
Differential Left Bearing	NP579116-NP022042	1
Pinion Head Bearing	9278-9220	1
Pinion Tail Bearing	H715334-H715311	1
Pinion Nose Bearing	MUB7309UM	1
Pinion Seal	DTQ2591	1
Sealer	RTV Silicone	1
Threadlocker	TL1	1

DRK-4438

Position	Part Number	Quantity
Differential Right Bearing	JM822049-JM822010	1
Differential Left Bearing	NP579116-NP022042	1
Pinion Head Bearing	9278-9220	1
Pinion Tail Bearing	H715334-H715311	1
Pinion Nose Bearing	MUC1309UM	1
Pinion Seal	DTQ2591	1
Sealer	RTV Silicone	1

DRK-4440

Position	Part Number	Quantity
Differential Right Bearing	NP928171-NP718759	1
Differential Left Bearing	52387P-52618	1
Pinion Head Bearing	78250AC-78551	1
Pinion Tail Bearing	78250AC-78551	1
Pinion Nose Bearing	MRB7309GEXR	1
Pinion Seal	MRC7309	1
Input Shaft Bearing	HM813844-HM813810	1
Rear Side Gear Bearing	JM515649-JM515610	1
Output Shaft Bearing	385A-382A	2
Oil Pump Idler Gear Bearing	LM11949-90013	1
Input Shaft Seal	DTR2592	1
Thrushaft Seal	415013N (29925)	1
Snap Ring	1229T4076	1
Sealer	RTV Silicone	1

DRK-4441

Position	Part Number	Quantity
Differential Right Bearing	NP928171-NP718759	1
Differential Left Bearing	52387P-52618P	1
Pinion Head Bearing	78250AC-78551	1
Pinion Tail Bearing	78250AC-78551	1
Pinion Nose Bearing	MUB7309UM	1
Input Shaft Bearing	HM813844-HM813810	1
Rear Side Gear Bearing	JM515649-JM515610	1
Output Shaft Bearing	385A-382A	2
Oil Pump Idler Gear Bearing	LM11949-90013	1
Input Shaft Seal	DTR2592	1
Thrushaft Seal	415013N (29925)	1
Snap Ring	1229L1624	1
Sealer	RTV Silicone	1

DRK-4442

Position	Part Number	Quantity
Differential Right Bearing	NP928171-NP718759	1
Differential Left Bearing	52387P-52618P	1
Pinion Head Bearing	78250AC-78551	1
Pinion Tail Bearing	78250AC-78551	1
Pinion Nose Bearing	MUC1309UM	1
Input Shaft Bearing	HM813844-HM813810	1
Rear Side Gear Bearing	JM515649-JM515610	1
Output Shaft Bearing	385A-382A	2
Oil Pump Idler Gear Bearing	LM11949-90013	1
Input Shaft Seal	416470N (32385)	1
Thrushaft Seal	415013N (29925)	1
Snap Ring	1229L1623	1
Sealer	RTV Silicone	1

DRK-4443

Position	Part Number	Quantity
Differential Right Bearing	NP928171-NP718759	1
Differential Left Bearing	52387P-52618P	1
Pinion Head Bearing	78250AC-78551	1
Pinion Tail Bearing	78250AC-78551	1
Pinion Nose Bearing	MUB7309UM	1
Input Shaft Front Bearing	496-493	1
Input Shaft Rear Bearing	29685-29620	1
Input Shaft Seal	DTP2590	1
Snap Ring	1229L1624	1
Sealer	RTV Silicone	1

DRK-4444

Position	Part Number	Quantity
Differential Right Bearing	NP928171-NP718759	1
Differential Left Bearing	52387P-52618P	1
Pinion Head Bearing	78250AC-78551	1
Pinion Tail Bearing	78250AC-78551	1
Pinion Nose Bearing	MUC1309UM	1
Input Shaft Front Bearing	496-493	1
Input Shaft Rear Bearing	29685-29620	1
Input Shaft Seal	DTP2590	1
Snap Ring	1229K1623	1
Sealer	RTV Silicone	1

DRK-4450

Position	Part Number	Quantity
Differential Right Bearing	NP928171-NP718759	1
Differential Left Bearing	52387-52618	1
Pinion Head Bearing	78250AC-78551	1
Pinion Tail Bearing	78250AC-78551	1
Pinion Nose Bearing	MRB7309GEXR	1
Pinion Seal	MRC7309	1
Input Shaft Front Bearing	496-493	1
Input Shaft Rear Bearing	29685-29620	1
Input Shaft Seal	DTP2590	1
Snap Ring	1229T4076	1
Sealer	RTV Silicone	1

DRK-4461

Position	Part Number	Quantity
Differential Right Bearing	JM716649-JM716610	1
Differential Left Bearing	JM716649-JM716610	1
Pinion Head Bearing	H715334-H715311	1
Pinion Tail Bearing	72225C-72487	1
Pinion Seal	A11205Z2730	1
Sealer	RTV Silicone	1

DRK-4753

Position	Part Number	Quantity
Differential Right Bearing	28682-28622	1
Differential Left Bearing	28682-28622	1
Pinion Head Bearing	HM803149-HM803110	1
Pinion Tail Bearing	M86649-M86610	1
Pinion Seal	415082N (25102)	1
Sealer	RTV Silicone	1

Heavy Duty Transfer Cases

TCRK-170A

Position	Part Number	Quantity
Input Shaft Front Brg.	639-633	1
Input Shaft Rear Brg.	576-572	1
Input Shaft Seal	415991N	1

TCRK-170A1

Position	Part Number	Quantity
Input Shaft Front Brg.	639-633	1
Input Shaft Rear Brg.	576-572	1
PTO Output Shaft Front	33212	1
PTO Output Shaft Rear	33212	1
Input Shaft Seal	415991N	1
PTO Output Shaft Seal	415027N	1

TCRK-170

Position	Part Number	Quantity
Intermediate Shaft Front Brg.	643-633	1
Intermediate Shaft Rear Brg.	643-633	1

TCRK-170C

Position	Part Number	Quantity
Front Output Shaft Front Brg.	JH211749-JH211710	1
Front Output Shaft Rear Brg.	JH211749-JH211710	1
Rear Output Shaft Front Brg.	576-572	1
Rear Output Shaft Rear Brg.	5584-5535	1
Front Output Shaft Seal	415027N	1
Rear Output Shaft Seal	415991N	1
O-Ring (Shifter Shaft)	OR-316	1
O-Ring (Piston to Shaft)	OR-012	2
O-Ring (Piston)	OR-326	2
O-Ring (Cap)	OR-032	1
O-Ring (Shift Cylinder)	OR-224	3
Felt Wiper	339-0223	2

TCRK-170C1

Position	Part Number	Quantity
Front Output Shaft Front Brg.	JH211749-JH211710	1
Front Output Shaft Rear Brg.	JH211749-JH211710	1
Rear Output Shaft Front Brg.	576-572	1
Rear Output Shaft Rear Brg.	639-633	1
Front Output Shaft Seal	415027N	1
Rear Output Shaft Seal	415991N	1
O-Ring (Shifter Shaft)	OR-316	1
O-Ring (Piston to Shaft)	OR-012	2
O-Ring (Piston)	OR-326	2
O-Ring (Cap)	OR-032	1
O-Ring (Shift Cylinder)	OR-224	3
Felt Wiper	339-0223	2

TCRK-170C2

Position	Part Number	Quantity
Front Output Shaft Brg.	5310KL	1
Differential Front Brg.	575-572	1
Differential Rear Brg.	580-572	1
Rear Output Shaft Front Brg.	32213	1
Rear Output Shaft Rear Brg.	32213	1
Front Output Shaft Seal	413248	1
Rear Output Shaft Seal	415027N	1
O-Ring (Shifter Shaft)	OR-316	1
O-Ring (Piston to Shaft)	OR-012	2
O-Ring (Piston)	OR-326	2
O-Ring (Cap)	OR-032	1
O-Ring (Shift Cylinder)	OR-224	3
Felt Wiper	339-0223	2

TCRK-221

Position	Part Number	Quantity
Input Shaft Front Brg.	207-S	1
Input Shaft Rear Brg.	206-S	1
Front Output Shaft Front Brg.	207-L	1
Front Output Shaft Rear Brg.	209-L	1
Rear Output Shaft Front Brg.	15126-15245	1
Rear Output Shaft Rear Brg.	15126-15245	1
Idle Shaft Front Brg.	02476-02420	1
Idle Shaft Rear Brg.	15126-15245	1
Input Shaft Seal	482164N	1
Front Output Shaft Seal	482164N	1
Rear Output Shaft Seal	482164N	1
Shift Shaft Seal	6835S	2
PTO Shaft Seal	471424	2

TCRK-900

Position	Part Number	Quantity
Input Shaft Front	357-353	1
Input Shaft Rear	339-332	1
Idle Shaft Front	31597-31521	1
Idle Shaft Rear	31597-31521	1
Front Output Shaft Front	208L	1
Front Output Shaft Rear	211L	1
Front Output Shaft Needle	1228B1380-1228A183	1
Rear Output Shaft Front	25878-25821	1
Rear Output Shaft Rear	25584-25520	1
Input Shaft Seal	45031S	1
Front Output Shaft Front Seal	45031S	1
Front Output Shaft Rear Seal	415483	1
Rear Output Shaft Seal	471341N	1
Transfer Shift Shaft Seal	470954	2

TCRK-901

Position	Part Number	Quantity
Input Shaft Front	376-372	1
Input Shaft Rear	339-332	1
Idle Shaft Front	31597-31521	1
Idle Shaft Rear	31597-31521	1
Front Output Shaft Front	208L	1
Front Output Shaft Rear	211L	1
Front Output Shaft Needle	1228B1380-1228A183	1
Rear Output Shaft Front	25878-25821	1
Rear Output Shaft Rear	25584-25520	1
Input Shaft Seal	A1205T1242	1
Input Shaft Seal	471341N	1
Front Output Shaft Front Seal	45031S	1
Front Output Shaft Rear Seal	415483	1
Rear Output Shaft Seal	471341N	1
Transfer Shift Shaft Seal	470954	2

TCRK-902

Position	Part Number	Quantity
Input Shaft Front	376-372	1
Input Shaft Rear	339-332	1
Idle Shaft Front	HM89449-HM89411	1
Idle Shaft Rear	31597-31521	1
Front Output Shaft Front	208L	1
Front Output Shaft Rear	211L	1
Front Output Shaft Needle	1228B1380-1228A183	1
Rear Output Shaft Front	25878-25821	1
Rear Output Shaft Rear	25584-25520	1
Declutch Front	385A-382A	1
Declutch Rear	385A-382A	1
PTO Front	335-332	1
PTO Rear	335-332	1
Input Shaft Seal	A1205T1242	1
Input Shaft Seal	471341N	1
Front Output Shaft Front Seal	45031S	1
Front Output Shaft Rear Seal	415483	1
Rear Output Shaft Seal	471341N	1
PTO Shaft Seal	473445	1
Transfer Shift Shaft Seal	470954	2
PTO Shift Shaft Seal	455151	1

TCRK-903

Position	Part Number	Quantity
Input Shaft Front	376-372	1
Input Shaft Rear	339-332	1
Idle Shaft Front	HM89449-HM89411	1
Idle Shaft Rear	31597-31521	1
Front Output Shaft Front	208L	1
Front Output Shaft Rear	211L	1
Front Output Shaft Needle	1228B1380-1228A183	1
Rear Output Shaft Front	25878-25821	1
Rear Output Shaft Rear	25584-25520	1
Declutch Front	385A-382A	1
Declutch Rear	385A-382A	1
Input Shaft Seal	A1205T1242	1
Input Shaft Seal	471341N	1
Front Output Shaft Front Seal	45031S	1
Front Output Shaft Rear Seal	415483	1
Rear Output Shaft Seal	471341N	1
Transfer Shift Shaft Seal	470954	2

Heavy Duty Transfer Cases

TCRK-904

Position	Part Number	Quantity
Mainshaft Front	59201-59412	1
Mainshaft Rear	3782-3732	1
Driving Idler Gear	1209-A	2
Idler Shaft Front	59201-59412	1
Idler Shaft Rear	3767-3732	1
Front Output Shaft	33225-33472	1
Rear Output Shaft	59201-59412	1
Mainshaft Front Seal	416654	1
Front Output Shaft Seal	416654	1
Rear Output Shaft Seal	416654	1
Transfer Shift Shaft Seal	340483	1

TCRK-905

Position	Part Number	Quantity
Mainshaft Front	59201-59412	1
Mainshaft Rear	3782-3732	1
Driving Idler Gear	1209-A	2
Idler Shaft Front	59201-59412	1
Idler Shaft Rear	3767-3732	1
Front Output Shaft	33225-33472	1
Rear Output Shaft	59201-59412	1
PTO Front	342S-332	1
PTO Rear	342S-332	1
Mainshaft Front Seal	416654	1
Front Output Shaft Seal	416654	1
Rear Output Shaft Seal	416654	1
PTO Output Shaft Seal (1.500" Shaft)	473228	1
PTO Output Shaft Seal (1.750" Shaft)	450352	1
Transfer Shift Shaft Seal	340483	1
PTO Shift Shaft Seal	330699	1

TCRK-906

Position	Part Number	Quantity
Mainshaft Front	59201-59412	1
Mainshaft Rear	3782-3732	1
Driving Idler Gear	1209-A	2
Idler Shaft Front	59201-59412	1
Idler Shaft Rear	3767-3732	1
Front Output Shaft	33225-33472	1
Rear Output Shaft	59201-59412	1
Declutch Front	385A-382A	1
Declutch Rear	385A-382A	1
Mainshaft Front Seal (1.937" Shaft)	416654	1
Mainshaft Front Seal (3.187" Shaft)	456105	1
Front Output Shaft Seal	416654	1
Rear Output Shaft Seal	416654	1
Transfer Shift Shaft Seal	340483	1
Declutch Shift Shaft Seal	540636	1

TCRK-907

Position	Part Number	Quantity
Mainshaft Front	59201-59412	1
Mainshaft Rear	3782-3732	1
Driving Idler Gear	1209-A	2
Idler Shaft Front	59201-59412	1
Idler Shaft Rear	3767-3732	1
Front Output Shaft	33225-33472	1
Rear Output Shaft	59201-59412	1
Declutch Front	385A-382A	1
Declutch Rear	385A-382A	1
PTO Front	342S-332	1
PTO Rear	342S-332	1
Mainshaft Front Seal	416654	1
Front Output Shaft Seal	416654	1
Rear Output Shaft Seal	416654	1
PTO Output Shaft Seal (1.500" Shaft)	473228	1
PTO Output Shaft Seal (1.750" Shaft)	450352	1
Transfer Shift Shaft Seal	340483	1
Declutch Shift Shaft Seal	540636	1
PTO Shift Shaft Seal	330699	1

TCRK-908

Position	Part Number	Quantity
Mainshaft Front	59201-59412	1
Mainshaft Rear	3782-3732	1
Driving Idler Gear	1209-A	2
Idler Shaft Front	HM807046-HM807010	1
Idler Shaft Rear	39578-39528	1
Front Output Shaft	33225-33472	1
Rear Output Shaft	59201-59412	1
Declutch Front	385A-382A	1
Declutch Rear	385A-382A	1
Mainshaft Front Seal	456105	1
Front Output Shaft Seal	416654	1
Rear Output Shaft Seal	416654	1
Transfer Shift Shaft Seal	340483	1
Declutch Shift Shaft Seal	543351	1

TCRK-909

Position	Part Number	Quantity
Mainshaft Front	59201-59412	1
Mainshaft Rear	3782-3732	1
Driving Idler Gear	1209-A	2
Idler Shaft Front	HM807046-HM807010	1
Idler Shaft Rear	39578-39528	1
Front Output Shaft	33225-33472	1
Rear Output Shaft	59201-59412	1
Declutch Front	385A-382A	1
Declutch Rear	385A-382A	1
PTO Front	342S-332	1
PTO Rear	342S-332	1
Mainshaft Front Seal	456105	1
Front Output Shaft Seal	416654	1
Rear Output Shaft Seal	416654	1
PTO Output Shaft Seal	450352	1
Transfer Shift Shaft Seal	340483	1
Declutch Shift Shaft Seal	543351	1
PTO Shift Shaft Seal	330699	1

TCRK-910

Position	Part Number	Quantity
Mainshaft Front	59201-59412	1
Mainshaft Rear	3782-3732	1
Driving Idler Gear	1209-A	2
Idler Shaft Front	HM807046-HM807010	1
Idler Shaft Rear	39578-39528	1
Front Output Shaft	211B	1
Rear Output Shaft	211B	1
Differential Front	33287-33472	1
Differential Rear	42688-42620	1
Declutch Front	385A-382A	1
Declutch Rear	385A-382A	1
Mainshaft Front Seal (1.937" Shaft)	416654	1
Mainshaft Front Seal (3.187" Shaft)	456105	1
Front Output Shaft Seal	416654	1
Rear Output Shaft Seal	416654	1
Transfer Shift Shaft Seal	340483	1
Declutch Shift Shaft Seal	543351	1
Declutch Shift Shaft Seal	540636	1
Differential Shift Shaft	471570	1

TCRK-911

Position	Part Number	Quantity
Mainshaft Front	59201-59412	1
Mainshaft Rear	3782-3732	1
Driving Idler Gear	1209-A	2
Idler Shaft Front	HM807046-HM807010	1
Idler Shaft Rear	39578-39528	1
Front Output Shaft	211B	1
Rear Output Shaft	211B	1
Differential Front	33287-33472	1
Differential Rear	42688-42620	1
Declutch Front	385A-382A	1
Declutch Rear	385A-382A	1
PTO Front	342S-332	1
PTO Rear	342S-332	1
Mainshaft Front Seal	456105	1
Front Output Shaft Seal	416654	1
Rear Output Shaft Seal	416654	1
PTO Output Shaft Seal (1.50" Shaft)	473228	1
PTO Output Shaft Seal (1.750" Shaft)	450352	1
Transfer Shift Shaft Seal	340483	1
Declutch Shift Shaft Seal	543351	1
Differential Shift Shaft	471570	1
PTO Shift Shaft Seal	330699	1

TCRK-912

Position	Part Number	Quantity
Mainshaft Front	59201-59412	1
Mainshaft Rear	3782-3732	1
Driving Idler Gear	1209-A	2
Idler Shaft Front	HM807046-HM807010	1
Idler Shaft Rear	45287-45220	1
Front Output Shaft	33225-33472	1
Rear Output Shaft	59201-59412	1
Mainshaft Front Seal	416654	1
Front Output Shaft Seal	416654	1
Rear Output Shaft Seal	416654	1
Transfer Shift Shaft Seal	340483	1

Heavy Duty Transfer Cases

Heavy Duty Transfer Cases

TCRK-913

Position	Part Number	Quantity
Mainshaft Front	59201-59412	1
Mainshaft Rear	3782-3732	1
Driving Idler Gear	1209-A	2
Idler Shaft Front	HM807046-HM807010	1
Idler Shaft Rear	45287-45220	1
Front Output Shaft	33225-33472	1
Rear Output Shaft	59201-59412	1
PTO Front	342S-332	1
PTO Rear	342S-332	1
Mainshaft Front Seal	416654	1
Front Output Shaft Seal	416654	1
Rear Output Shaft Seal	416654	1
PTO Output Shaft Seal (1.500" Shaft)"	473228	1
PTO Output Shaft Seal (1.750" Shaft)"	450352	1
Transfer Shift Shaft Seal	340483	1
PTO Shift Shaft Seal	330699	1

TCRK-914

Position	Part Number	Quantity
Mainshaft Front	59201-59412	1
Mainshaft Rear	3782-3732	1
Driving Idler Gear	1209-A	2
Idler Shaft Front	HM807046-HM807010	1
Idler Shaft Rear	45287-45220	1
Front Output Shaft	33225-33472	1
Rear Output Shaft	59201-59412	1
Declutch Front	385A-382A	1
Declutch Rear	385A-382A	1
Mainshaft Front Seal (1.937" Shaft)	416654	1
Mainshaft Front Seal (3.187" Shaft)	456105	1
Front Output Shaft Seal	416654	1
Rear Output Shaft Seal	416654	1
Transfer Shift Shaft Seal	340483	1
Declutch Shift Shaft Seal	543351	1
Declutch Shift Shaft Seal	540636	1

TCRK-915

Position	Part Number	Quantity
Mainshaft Front	59201-59412	1
Mainshaft Rear	3782-3732	1
Driving Idler Gear	1209-A	2
Idler Shaft Front	HM807046-HM807010	1
Idler Shaft Rear	45287-45220	1
Front Output Shaft	33225-33472	1
Rear Output Shaft	59201-59412	1
Declutch Front	385A-382A	1
Declutch Rear	385A-382A	1
PTO Front	342S-332	1
PTO Rear	342S-332	1
Mainshaft Front Seal (1.937" Shaft)	416654	1
Mainshaft Front Seal (3.187" Shaft)	456105	1
Front Output Shaft Seal	416654	1
Rear Output Shaft Seal	416654	1
PTO Output Shaft Seal	473228	1
Transfer Shift Shaft Seal	340483	1
Declutch Shift Shaft Seal	540636	1
PTO Shift Shaft Seal	330699	1

TCRK-916

Position	Part Number	Quantity
Mainshaft Front	59201-59412	1
Mainshaft Rear	3782-3732	1
Driving Idler Gear	1209-A	2
Idler Shaft Front	HM807046-HM807010	1
Idler Shaft Rear	45287-45220	1
Front Output Shaft	211B	1
Rear Output Shaft	211B	1
Differential Front	33287-33472	1
Differential Rear	42688-42620	1
Mainshaft Front Seal	416654	1
Front Output Shaft Seal	416654	1
Rear Output Shaft Seal (2.750" Shaft)	415984	1
Rear Output Shaft Seal (2.937" Shaft)	416654	1
Transfer Shift Shaft Seal	340483	1
Differential Shift Shaft	471570	1

TCRK-917

Position	Part Number	Quantity
Mainshaft Front	59201-59412	1
Mainshaft Rear	3782-3732	1
Driving Idler Gear	1209-A	2
Idler Shaft Front	HM807046-HM807010	1
Idler Shaft Rear	45287-45220	1
Front Output Shaft	211B	1
Rear Output Shaft	211B	1
Differential Front	33287-33472	1
Differential Rear	42688-42620	1
Declutch Front	385A-382A	1
Declutch Rear	385A-382A	1
Mainshaft Front Seal (1.937" Shaft)	416654	1
Mainshaft Front Seal (3.187" Shaft)	456105	1
Front Output Shaft Seal	416654	1
Rear Output Shaft Seal	416654	1
Transfer Shift Shaft Seal	340483	1
Differential Shift Shaft	471570	1
Declutch Shift Shaft Seal	540636	1

TCRK-918

Position	Part Number	Quantity
Mainshaft Front	59201-59412	1
Mainshaft Rear	3782-3732	1
Idler Shaft Front	59201-59412	1
Idler Shaft Rear	3767-3732	1
Front Output Shaft	33225-33472	1
Rear Output Shaft	59201-59412	1
Declutch Front	385A-382A	1
Declutch Rear	385A-382A	1
Mainshaft Front Seal	416654	1
Mainshaft Rear Seal	415147	1
Rear Output Shaft Seal	416654	1
Transfer Shift Shaft Seal	340483	1
Declutch Shift Shaft Seal	540636	1

TCRK-919

Position	Part Number	Quantity
Mainshaft Front	HM212044-HM212011	1
Mainshaft Rear	28682-28622	1
Idler Shaft Front	5584-5535	1
Idler Shaft Rear	HM212046-HM212011	1
Front Output Shaft Rear	594-592A	1
Rear Output Shaft Front	1828U307	1
Rear Output Shaft Rear	590A-592A	1
Mainshaft Front Seal	417487	1
Rear Output Shaft Inner Seal	416130	1
Rear Output Shaft Outer Seal	A1205W2415	1
Transfer Shift Shaft Seal	471570	1

TCRK-920

Position	Part Number	Quantity
Mainshaft Front	HM212044-HM212011	1
Mainshaft Rear	28682-28622	1
Idler Shaft Front	5584-5535	1
Idler Shaft Rear	HM212046-HM212011	1
Front Output Shaft Rear	594-592A	1
Rear Output Shaft Front	1828U307	1
Rear Output Shaft Rear	590A-592A	1
Declutch	1311L	1
Mainshaft Front Seal (3.000" Shaft)	417487	1
Mainshaft Front Seal (3.250" Shaft)	A1205W2415	1
Rear Output Shaft Inner Seal	416130	1
Rear Output Shaft Outer Seal	A1205W2415	1
Declutch Seal	416654	1
Transfer Shift Shaft Seal	471570	1
Declutch Shift Shaft Seal	470954	1

TCRK-921

Position	Part Number	Quantity
Mainshaft Front	HM212044-HM212011	1
Mainshaft Rear	28682-28622	1
Idler Shaft Front	5584-5535	1
Idler Shaft Rear	HM212046-HM212011	1
Front Output Shaft Rear	594-592A	1
Rear Output Shaft Front	1828U307	1
Rear Output Shaft Rear	590A-592A	1
Declutch	1311L	1
PTO Front	1311L	1
PTO Rear	211B	1
Mainshaft Front Seal (3.000" Shaft)	417487	1
Mainshaft Front Seal (3.250" Shaft)	A1205W2415	1
Rear Output Shaft Inner Seal	416130	1
Rear Output Shaft Outer Seal	A1205W2415	1
Declutch Seal	416654	1
PTO Input Shaft Seal	470737N	1
PTO Output Shaft Seal	416654	1
Transfer Shift Shaft Seal	471570	1
Declutch Shift Shaft Seal	470954	1
PTO Shift Shaft Seal	470954	1

Heavy Duty Transfer Cases

Heavy Duty Transfer Cases

TCRK-922

Position	Part Number	Quantity
Mainshaft Front	HM212044-HM212011	1
Mainshaft Rear	28682-28622	1
Idler Shaft Front	5584-5535	1
Idler Shaft Rear	HM212046-HM212011	1
Front Output Shaft Rear	594-592A	1
Rear Output Shaft Front	1828U307	1
Rear Output Shaft Rear	590A-592A	1
PTO Front	1311L	1
PTO Rear	211B	1
Mainshaft Front Seal	417487	1
Rear Output Shaft Inner Seal	416130	1
Rear Output Shaft Outer Seal	A1205W2415	1
PTO Input Shaft Seal	470737N	1
PTO Output Shaft Seal	416654	1
Transfer Shift Shaft Seal	471570	1
PTO Shift Shaft Seal	470954	1

TCRK-923

Position	Part Number	Quantity
Mainshaft Front	HM212044-HM212011	1
Mainshaft Rear	28682-28622	1
Idler Shaft Front	5584-5535	1
Idler Shaft Rear	HM212046-HM212011	1
Front Output Shaft Front	1311L	1
Front Output Shaft Rear	594-592A	1
Rear Output Shaft Front	1828U307	1
Rear Output Shaft Rear	590A-592A	1
Mainshaft Front Seal	417487	1
Front Output Shaft Seal	416654	1
Rear Output Shaft Seal	A1205W2415	1
Transfer Shift Shaft Seal	471570	1

TCRK-924

Position	Part Number	Quantity
Mainshaft Front	HM212044-HM212011	1
Mainshaft Rear	28682-28622	1
Idler Shaft Front	5584-5535	1
Idler Shaft Rear	HM212046-HM212011	1
Front Output Shaft Front	1311L	1
Front Output Shaft Rear	594-592A	1
Rear Output Shaft Front	1828U307	1
Rear Output Shaft Rear	590A-592A	1
PTO Front	1311L	1
PTO Rear	211B	1
Mainshaft Front Seal	417487	1
Front Output Shaft Seal	416654	1
Rear Output Shaft Seal	A1205W2415	1
PTO Input Shaft Seal	470737N	1
PTO Output Shaft Seal	416654	1
Transfer Shift Shaft Seal	471570	1
PTO Shift Shaft Seal	470954	1

TCRK-925

Position	Part Number	Quantity
Mainshaft Front	HM212044-HM212011	1
Mainshaft Rear	28682-28622	1
Idler Shaft Front	5584-5535	1
Idler Shaft Rear	HM212046-HM212011	1
Declutch	1311L	1
Front Output Shaft Rear	594-592A	1
Rear Output Shaft Rear	590A-592A	1
Mainshaft Front Seal	417487	1
Mainshaft Rear Seal	55563	1
Rear Output Shaft Seal	415995	1
Declutch Seal	416654	1
Declutch Shift Shaft Seal	470954	1

TCRK-926

Position	Part Number	Quantity
Input Shaft Front	835-832	1
Input Shaft Rear	835-832	1
Idler Gear Front	835-832	1
Idler Gear Rear	835-832	1
Output Shaft Front	843-832	1
Output Shaft Rear	843-832	1
Declutch	1228N1262	1
Input Shaft Seal	A1205D2422	2
Rear Output Shaft Seal	A1205D2422	2
Declutch Inner Seal	45013S	1
Declutch Outer Seal	A1205U1529	1

TCRK-927

Position	Part Number	Quantity
Input Shaft Front	H715334-H715311	1
Input Shaft Rear	H715334-H715311	1
Output Shaft Front	H715334-H715311	1
Output Shaft Rear	H715334-H715311	1
Declutch	212	1
Declutch Pilot	1228Z1222	1
Input Shaft Seal	DTR2592	1
Output Shaft Seal	DTR2592	1
Declutch Seal	DTR2592	1

TCRK-928

Position	Part Number	Quantity
Input Shaft Front	H715334-H715311	1
Input Shaft Rear	H715334-H715311	1
Output Shaft Front	H715334-H715311	1
Output Shaft Rear	H715334-H715311	1
Declutch	1228N1548-1228M1547	2
Input Shaft Seal	DTR2592	1
Output Shaft Seal	DTR2592	1
Declutch Seal	DTP2590	1

TCRK-929

Position	Part Number	Quantity
Input Shaft Front	HM813843	1
Input Shaft Rear	HM813843-HM813810	1
Idler Gear Front	HM212049-HM212011	1
Idler Gear Rear	HM212049-HM212011	1
Front Output Shaft Front	HM212049-HM212011	1
Front Output Shaft Rear	HM813843-HM813810	1
Rear Output Shaft Front	HM212049-HM212011	1
Rear Output Shaft Rear	HM212049-HM212011	1
Input Shaft Seal	R945007	1
Front Output Shaft Seal	DTR2592	1
Rear Output Shaft Seal	DTR2592	1
PTO Output Shaft Seal	DTP2590	1

TCRK-930

Position	Part Number	Quantity
Input Shaft Front	HM813843	1
Input Shaft Rear	NP674708-NP682041	1
Idler Gear Front	HM212049-HM212011	1
Idler Gear Rear	HM212049-HM212011	1
Transfer Gear Front	HM212049-HM212011	1
Transfer Gear Rear	HM212049-HM212011	1
Front Output Shaft Front	HM212049-HM212011	1
Front Output Shaft Rear	HM813843-HM813810	1
Rear Output Shaft Front	HM212049-HM212011	1
Rear Output Shaft Rear	HM212049-HM212011	1
Input Shaft Seal	R945007	1
Front Output Shaft Seal	DTR2592	1
Rear Output Shaft Seal	DTQ2591	1

TCRK-931

Position	Part Number	Quantity
Mainshaft Front	1307S	1
Mainshaft Rear	1307S	1
Idler Shaft Front	339-332	1
Idler Shaft Rear	339-332	1
Output Shaft Front	342S-332	1
Output Shaft Rear	339-332	1
Declutch Front	14137A-14274	1
Declutch Rear	14137A-14274	1
Mainshaft Front Seal	472394	1
Mainshaft Rear Seal	472394	1
Declutch Seal	472394	1
Rear Output Shaft Seal (2.880" Housing)	415281N	1
Rear Output Shaft Seal (3.000" Housing)	472394	1
Transfer Shift Shaft Seal	340483	1
Declutch Shift Shaft Seal	455151	1

Heavy Duty Transfer Cases

Heavy Duty Transmission Rebuild Kits

TCRK-932

Position	Part Number	Quantity
Mainshaft Front	1307S	1
Mainshaft Rear	1307S	1
Idler Shaft Front	339-332	1
Idler Shaft Rear	339-332	1
Output Shaft Front	342S-332	1
Output Shaft Rear	339-332	1
PTO Front	335-332	1
PTO Rear	335-332	1
Mainshaft Front Seal	472394	1
Mainshaft Rear Seal	472394	1
Front Output Shaft Seal	472394	1
Rear Output Shaft Seal (2.880" Housing)	415281N	1
Rear Output Shaft Seal (3.000 Housing)	472394	1
PTO Output Shaft Seal	473445	1
Transfer Shift Shaft Seal	340483	1
PTO Shift Shaft Seal	455151	1

TCRK-933

Position	Part Number	Quantity
Mainshaft Front	1307S	1
Mainshaft Rear	1307S	1
Idler Shaft Front	339-332	1
Idler Shaft Rear	339-332	1
Output Shaft Front	339-332	1
Output Shaft Rear	339-332	1
Mainshaft Front Seal	472394	1
Mainshaft Rear Seal	472394	1
Front Output Shaft Seal	472394	1
Rear Output Shaft Seal (2.880" Housing)	415281N	1
Rear Output Shaft Seal (3.000" Housing)	472394	1
Transfer Shift Shaft Seal	340483	1

TRK-2

Position	Part Number	Quantity
Input Shaft	1313S	1
Input Shaft Pilot	22207	1
Output Shaft Center	MU1312TM	1
Output Shaft Rear	5215WL	1
Countershaft Front	MR1309EAL	1
Countershaft Rear	MSN1311GELR	1
Reverse Idler	J402480	2
1st Speed Gear	F53539■	1
2nd Speed Gear	F53540■	1
3rd Speed Gear	F53540■	1
Input Shaft Seal	455995N (29950)	1
Output Shaft Seal	415013 (29925)	1
Remote Control Seal	350567 (8648)●	2
Sealer	RTV Silicone	1

■ Some Models will use S456Q Loose Needles instead of F53539 or F53540 Caged Needles. S456Q not packed in kit.

TRK-2A

Position	Part Number	Quantity
Input Shaft	1313S	1
Input Shaft Pilot	MU5207UM	1
Output Shaft Center	MU1312TM	1
Output Shaft Rear	5215WL	1
Countershaft Front	MR1309EAL	1
Countershaft Rear	MSN1311GELR	1
Reverse Idler	J402480	2
1st Speed Gear	F53539	1
2nd Speed Gear	F53540	1
3rd Speed Gear	F53540	1
Input Shaft Seal	455995N (29950)	1
Output Shaft Seal	415013N (29925)	1
Remote Control Seal	350567 (8648)●	2
Sealer	RTV Silicone	1

TRK-3

Position	Part Number	Quantity
Input Shaft Front	5212W	1
Input Shaft Rear	MR1313EL	1
Input Shaft Pilot	MR1308TV	1
Output Shaft	1412L	1
Countershaft Front	MSN1311GELR	1
Countershaft Rear	MR1311EAHL	1
1st Speed Gear	F53543-S444Q■	1
2nd Speed Gear	F53543-S444Q■	1
3rd Speed Gear	F53542-S444Q■	1
Input Shaft Seal	415281N (29870)	1
Output Shaft Seal (Except Ford)	415281N (29870)	1
Output Shaft Seal (with Ford)	415013N (29925)	1
Remote Control Seal	450680 (8702)●	2
Gasket Set	GT155	1

■ Optional for 8341 & 8345; S444Q (186) for 1st Gear & (124) each for 2nd & 3rd Gears (included in kit)

TRK-4

Position	Part Number	Quantity
Input Shaft Front	5212W	1
Input Shaft Rear	MR1313EJ	1
Input Shaft Pilot	MR1308EJ	1
Output Shaft	1412L	1
Countershaft Front	MSN1311GELR	1
Countershaft Rear	MR1311EAHL	1
1st Speed Gear	F53543-S444Q■	1
2nd Speed Gear	F53543-S444Q■	1
3rd Speed Gear	F53542-S444Q■	1
Input Shaft Seal	415281N (29870)	1
Output Shaft Seal (Except Ford)	415281N (29870)	1
Output Shaft Seal (with Ford)	415013N (29925)	1
Remote Control Seal	450032 (8703)●	2
Gasket Set	GT155	1

■ Optional for 8341 & 8345; S444Q (186) for 1st Gear & (124) each for 2nd & 3rd Gears (included in kit)

TRK-19

Position	Part Number	Quantity
Input Shaft	1310SL	1
Input Shaft Pilot	RU1549L	1
Output Shaft	310L	1
Countershaft Front	M1307EL	1
Countershaft Rear	1309SL	1
Reverse Idler	J402064	2
Input Shaft Seal	452554N (14832)	1
Output Shaft Seal	415013N (29925)	1
Shift Rod Seal	240735 (7409)	1
Gasket Set	GT19	1

TRK-23

Position	Part Number	Quantity
Input Shaft	211SL	1
Input Shaft Pilot	SRA5304	1
Output Shaft	309L	1
Countershaft Front	M28161	1
Countershaft Rear	308SL	1
Reverse Idler	F54970	2
Output Shaft Seal (3.256" O.D.)	450519 (24910)	1
Output Shaft Seal (2.879" O.D.)	450867 (21098)	1
Gasket Set	GT23	1

TRK-23B

Position	Part Number	Quantity
Input Shaft	1211SL	1
Input Shaft Pilot	SRA5304	1
Output Shaft	N309L	1
Countershaft Front	M28161	1
Countershaft Rear	1308SL	1
Reverse Idler	F54970	2
Output Shaft Seal (3.256" O.D.)	450519 (24910)	1
Output Shaft Seal (2.879" O.D.)	450867 (21098)	1
Gasket Set	GT23	1

TRK-25

Position	Part Number	Quantity
Input Shaft	212SL	1
Input Shaft Pilot	RU1549L	1
Output Shaft	309L	1
Countershaft Front	M1306EL	1
Countershaft Rear	1308SL	1
Reverse Idler	J401656	2
Input Shaft Seal (with 1.5" O.D.)	452554N (14832)	1
Input Shaft Seal (with 1.25" O.D.)	51083 (12363)	1
Output Shaft Seal	411143N (26110)	1
Remote Control Seal	450567 (8660)	2
Shift Rod Seal	240735 (7409)	1
Sealer	RTV Silicone	1

Heavy Duty Transmission Rebuild Kits

TRK-27

Position	Part Number	Quantity
Input Shaft	1211SL	1
Input Shaft Pilot	Q15902-F	14
Output Shaft	1308L	1
Countershaft Front	1207L	1
Countershaft Rear	B2816	1
Input Shaft Seal	51083 (12363)	1
Output Shaft Seal	6879H (21103)	1
Remote Control Seal	350679 (7439)	1
Gasket Set	GT26	1

TRK-28

Position	Part Number	Quantity
Input Shaft	1213SL	1
Input Shaft Pilot	0513Q	14
Output Shaft	1310L	1
Countershaft Front	M1208EL	1
Countershaft Rear	1308SL	1
Reverse Idler	J322064	2
Input Shaft Seal (except GMC)	481181N (16054)	1
Input Shaft Seal	452742 (17810)●	1
Output Shaft Seal	410519 (24911)	1
Remote Control Seal	350567 (8648)●	2
Gasket Set	GT28	1

TRK-29

Position	Part Number	Quantity
Input Shaft	1211SL	1
Input Shaft Pilot	Q15902-F	14
Output Shaft	1308L	1
Countershaft Front	1208L	1
Countershaft Rear	Q15902-F	24
Reverse Idler Front	B1412	1
Reverse Idler Rear	B1816	1
Reverse Idler Thrust	NTA815	1
Input Shaft Seal	481181N (16054)■	1
Output Shaft Seal	6879H (21103)	1
Output Shaft Seal (542-D, 542-L)	450519 (24910)	1
Remote Control Seal	350679 (7439)●	1
Gasket Set	GT26	1

TRK-29B

Position	Part Number	Quantity
Input Shaft	1211SL	1
Input Shaft Pilot	Q15902-F	14
Output Shaft	309L	1
Countershaft Front	1208L	1
Countershaft Rear	Q15902-F	24
Reverse Idler Front	B1412	1
Reverse Idler Rear	B1816	1
Reverse Idler Thrust	NTA815	1
Output Shaft Seal	450519 (24910)	1
Remote Control Seal	350679 (7439)●	1
Gasket Set	GT26	1

TRK-43

Position	Part Number	Quantity
Input Shaft Front	211	1
Input Shaft Rear	1311L	1
Input Shaft Pilot	MU1307UM	1
Output Shaft	313L	1
Countershaft Front	3578-3525	1
Countershaft Rear	3578-3525	1
Input Shaft Seal	415137 (32502)	1
Output Shaft Seal	415991N (34891)	1
Remote Control Seal	240735 (7409)	2
Sealer	RTV Silicone	1

TRK-45

Position	Part Number	Quantity
Input Shaft	1311SL	1
Input Shaft Pilot	RU1549L■	1
Output Shaft	311L	1
Countershaft Front	M1307EL	1
Countershaft Rear	1310SL	1
Reverse Idler	J402064	2
Input Shaft Seal	452554N (14832)	1
Output Shaft Seal	415013N (29925)	1
Shift Rod Seal	240735 (7409)	1
Sealer	RTV Silicone	1

■ Special built I.H. & Mack units use # RU1557J

TRK-48

Position	Part Number	Quantity
Input Shaft	1212SL	1
Input Shaft Pilot	J401652	1
Output Shaft	1310L	1
Countershaft Front	M32161	1
Countershaft Rear	1309SL	1
Reverse Idler	J401652	2
Output Shaft Seal (Except Ford)	450316 (22446)	1
Output Shaft Seal (Ford)	450519 (24910)	1
Remote Control Seal	350679 (7439)	1
Gasket Set	GT133	1

TRK-52

Position	Part Number	Quantity
Input Shaft	1312SV	1
Input Shaft Pilot	MUC1308J	1
Output Shaft	312L	1
Countershaft Rear	MR1307EL	1
Countershaft Front	45285 Assy 90011 (A1598)	1
Crossover Lever Bearing	B1612	1
Reverse Idler	J402064	2
Input Shaft Seal	452554N (14832)	1
Output Shaft Seal (4.5" O.D.)	415137 (32502)	1
Output Shaft Seal (4" O.D.)	415013N (29925)	1
Remote Control Seal	450567 (8660)	1
Sealer	RTV Silicone	1

TRK-58

Position	Part Number	Quantity
Input Shaft	212SLV	1
Input Shaft Pilot	BS59■	1
Output Shaft Center	118L	1
Output Shaft Rear	213	1
Countershaft Front	MSN1211REX	2
Countershaft Rear	MU1308TV	2
Reverse Idler	HJ223020-IR1820OH	2
Input Shaft Nut	CN1 (8997)	1
Output Shaft Seal (4.5" Shaft)	415991N (34891)	1
Output Shaft Seal (4" Shaft)	415013N (29925)●	1
Shift Rod Seal	350567 (8648)●	1
Snap Ring Set	SR58	1
Gasket Set	GT58	1

■ Early Models use BR717

TRK-58A

Position	Part Number	Quantity
Input Shaft	212SLV	1
Input Shaft Pilot	BS59	1
Output Shaft Center	118L	1
Output Shaft Rear	213	1
Countershaft Front	BS500192-S	2
Countershaft Rear	MU1308TV	2
Reverse Idler	HJ223020-IR1820OH	2
Mainshaft Rear Seal	415991N (34891)	1
Snap Ring Set	SR58	1
Gasket Set	GT58	1

TRK-65

Position	Part Number	Quantity
Input Shaft	1313SL	1
Input Shaft Pilot	MRB1308TV	1
Mainshaft	496-493	2
Mainshaft Pilot	MA1308TV	1
Output Shaft	66589-66521DB■	1
Countershaft Front	MR1309EL	1
Countershaft Rear	621-613B	1
Rear Countershaft Front	621-612	1
Rear Countershaft Rear	621-612	1
Reverse Idler	J482064	2
Output Shaft Seal	455018 (32396)	1
Remote Control Seal	41224S (9876)●	1
Shift Rail Seal	470680 (8702)	2
Sealer	RTV Silicone	1

■ Two Cones and One Cup

TRK-70

Position	Part Number	Quantity
Input Shaft Front	28580-28521	1
Input Shaft Rear	28580-28521	1
Input Shaft Pilot	1209A	1
Output Shaft	1310	1
Countershaft Front	3479-3420	1
Countershaft Rear	3479-3420	1
Input Shaft Seal	475322N (27295)	1
Output Shaft Seal	475322N (27295)	1
Remote Control Seal	450680 (8702)●	2
Gasket Set	GT70	1

Heavy Duty Transmission Rebuild Kits

TRK-72

Position	Part Number	Quantity
Input Shaft	1216SL	1
Input Shaft Pilot	0513Q	14
Output Shaft	1311L	1
Countershaft Front	MR1209EL	1
Countershaft Rear	1310SL	1
Reverse Idler	J402464	2
Input Shaft Seal	475322N (27295)	1
Output Shaft Seal (with brake)	452742 (17810)	1
Output Shaft Seal (without brake)	415004 (27370)	1
Remote Control Seal	450567 (8660)●	2
Shift Rod Seal	450032 (8703)●	2
Shift Rod Seal (with Solenoid Shift)	6835S (7440)●	4
Shift Solenoid Seal	450009 (6203)●	1
Input Shaft Seal	475012N (29322)●	1
Gasket Set	GT72	1

TRK-73

Position	Part Number	Quantity
Input Shaft Front	1210	1
Input Shaft Rear	MSN1312EL	1
Input Shaft Pilot	MU1209TV	1
Output Shaft	1312L	1
Countershaft Front	3877-3820	1
Countershaft Rear	462-453A	1
Speed Gear	F54540	1
Input Shaft Seal	415004 (27370)	1
Input Shaft Seal (Chevy/GMC)	475322N (27295)	1
Output Shaft Seal (without brake)	415013N (29925)	1
Output Shaft Seal (with brake)	415281N (29870)	1
Output Shaft Seal	475322N (27295)●	1
Remote Control Seal	450680 (8702)	2
Shift Rod Seal	350567 (8648)●	4
Gasket Set	GT73	1

TRK-74

Position	Part Number	Quantity
Input Shaft	1313S	1
Input Shaft Pilot	22207	1
Mainshaft Front	WSN61219EV	1
Mainshaft Rear	MR1308EJ	1
Output Shaft	1412L	1
Countershaft Front	MR1309EAL	1
Countershaft Rear	MSN1311GELR	1
Reverse Idler	J402480	2
1st Speed Gear	F53541	1
2nd Speed Gear	S456Q	154
3rd Speed Gear	F53540	1
Auxiliary Countershaft Front	MSN1311GELR	1
Auxiliary Countershaft Rear	MR1311EAHL	1
Auxiliary 1st Speed Gear	F53543●	1
Auxiliary 2nd Speed Gear	F53543●	1
Auxiliary 3rd Speed Gear	F53542●	1
Input Shaft Seal	415013N (29925)	1
Output Shaft Seal	415281N (29870)	1
Remote Control Seal	350567 (8648)●	2
Gasket Set	GT74	1

●Some Models will use S456Q Loose Needles instead of F53542 or F53543 Caged Needles. S456Q not packed in kit.

TRK-82

Position	Part Number	Quantity
Input Shaft	1308L	1
Input Shaft Pilot	W1590Q	16
Output Shaft	308L	1
Countershaft Front	C436Q	44
Countershaft Rear	C436Q	44
Reverse Idler	B1316Q	74
2nd Speed Gear	O6086	34
Input Shaft Seal	471413 (12364)	1
Output Shaft Seal	473463 (20045)	1
Gasket Set	GT82D	1

TRK-82D

Position	Part Number	Quantity
Driveshaft Rear	308L1	1
Input Shaft	C436Q	22
Input Shaft Pilot	1308L	1
Output Shaft	C436Q	44
Countershaft Rear	C436Q	44
Reverse Idler	B1316Q	74
Input Shaft Seal	471413 (12364)	1
Output Shaft Seal	473463 (20045)	1
Output Shaft Seal	450308 (21210)	1
External Housing Seal (Ford Only)	470380 (15005)	1
O-Ring	OR-111	1
Gasket Set	GT82D	1

TRK-82F

Position	Part Number	Quantity
Input Shaft	308L1	1
Input Shaft Pilot	C436Q	22
Output Shaft	1308L	1
Countershaft Front	C436Q	44
Countershaft Rear	C436Q	44
Reverse Idler	B1316Q	74
Input Shaft Seal	51083 (12363)	1
Output Shaft Seal (Diesel)	450308 (21210)	1
Output Shaft Seal (Gas & 2.378" O.D.)	470380 (15005)	1
Output Shaft Seal (Gas & 2.879" O.D.)	473442 (15773)	1
Output Shaft Seal (Gas & 3.256" O.D.)	450519 (24910)	1
Gasket Set	GT82D	1

TRK-82FD

Position	Part Number	Quantity
Input Shaft	M802048-M802011	1
Input Shaft Pilot	C436Q	22
Output Shaft	1308L	1
Countershaft Front	C436Q	44
Countershaft Rear	C436Q	44
Reverse Idler	B1316Q	74
Input Shaft Seal	51083 (12363)	1
Output Shaft Seal	450519 (24910)	1
Output Shaft Seal	472189A (15041)	1
Gasket Set	GT82D	1

TRK-86

Position	Part Number	Quantity
Input Shaft Front	210	1
Input Shaft Rear	1311L	1
Input Shaft Pilot	MU1209TV	1
Output Shaft	1311L	1
Countershaft Front	3479-3420	1
Countershaft Rear	3479-3420	1
Input Shaft Seal	415004 (27370)	1
Output Shaft Seal (Except Ford)	415004 (27370)	1
Output Shaft Seal (Ford)	475322N (27295)	1
Remote Control Seal	450680 (8702)●	2
Gasket Set	GT86	1

TRK-127

Position	Part Number	Quantity
Input Shaft	HM88649-HM88610	1
Input Shaft Pilot	Q15902-F	14
Output Shaft	1308L	1
Countershaft Front	M24161X1	1
Countershaft Rear	B3216	1
Countershaft Rear Thrust	NTA2031	1
Syncro Hub Thrust (3rd & 4th Gears)	FA35688	1
Reverse Idler	C407Q●	104
Input Shaft Seal (1.5" Shaft)	470380 (15005)	1
Input Shaft Seal (1.375" Shaft)	482163N (13557)	1
Input Shaft Seal (1.25" Shaft)	450140N (12340)●	1
Input Shaft Seal (except Ford)	470898 (21100)	1
Output Shaft Seal (with Ford)	471271 (24898)	1
Output Shaft Seal	473243 (21302)●	1
Remote Control Seal	350679 (7439)●	1
Gasket Set	GT127	1

TRK-127F

Position	Part Number	Quantity
Input Shaft	HM88649-HM88610	1
Input Shaft Pilot	Q15902-F	14
Output Shaft	1308L	1
Countershaft Front	M24161X1	1
Countershaft Rear	B3216	1
Countershaft Rear Thrust	NTA2031	1
Syncro Hub Thrust (3rd & 4th Gears)	FA35688	1
Input Shaft Seal	482163N (13557)	1
Output Shaft Seal	471271 (24898)	1
Gasket Set	GT127	1

TRK-127G

Position	Part Number	Quantity
Input Shaft	1308L	1
Input Shaft Pilot	Q15902-F	14
Output Shaft	1308L	1
Countershaft Front	M24161X1	1
Countershaft Rear	B3216	1
Countershaft Rear Thrust	NTA2031	1
Syncro Hub Thrust (3rd & 4th Gears)	FA35688	1
Output Shaft Seal	471271 (24898)	1
Input Shaft Seal (1.5" Shaft)	470380 (15005)	1
Input Shaft Seal	470898 (21100)	1
Gasket Set	GT127	1

TRK-130

Position	Part Number	Quantity
Input Shaft	MSN1314GELR	1
Input Shaft Pilot	MU7308L	1
Mainshaft Front	WSN61219EV	1
Mainshaft Rear	MR1308EL	1
Output Shaft	1412L	1
Countershaft Front	25590-25520	2
Countershaft Rear	MR1311GTAVR	1
Reverse Idler	J402480	2
1st Speed Gear	F53541	1
2nd Speed Gear	F53540	1
3rd Speed Gear	F53540	1
Auxiliary Countershaft Front	MSN1311GELR	1
Auxiliary Countershaft Rear	MR1311EAHL	1
Auxiliary 1st Speed Gear	F53543	1
Auxiliary 2nd Speed Gear	F53543	1
Auxiliary 3rd Speed Gear	F53542	1
Input Shaft Seal	456744N (36158)	1
Output Shaft Seal	415281N (29870)	1
Output Shaft Seal	415013N (29925)	1
Output Shaft Seal	415147 (24989)	1
Remote Control Seal	471267 (7573)	2
Gasket Set	GT130	1

■ Some Models will use S456Q Loose Needles instead of F53542 or F53543 Caged Needles. S456Q not packed in kit.

TRK-132

Position	Part Number	Quantity
Input Shaft	213SL	1
Input Shaft Pilot	R5206SK20	1
Output Shaft	N310L	1
Countershaft Front	M32161	1
Countershaft Rear	1310SL	1
Reverse Idler	J401652	2
Input Shaft Seal	7412S (12363)	1
Output Shaft Seal	450316 (22446)	1
Remote Control Seal	350679 (7439)	1
Gasket Set	GT133	1

TRK-133

Position	Part Number	Quantity
Input Shaft	213SLV	1
Input Shaft Pilot	R5206SK20	1
Output Shaft	1311L	1
Countershaft Front	M32161	1
Countershaft Rear	1310SL	1
Reverse Idler	J401652	2
Input Shaft Seal	450494 (17386)	1
Output Shaft Seal	415483 (26190)	1
Output Shaft Seal (Ford)	455322N (27292)	1
Gasket Set	GT133	1

TRK-139

Position	Part Number	Quantity
Input Shaft	MSN1314GELR	1
Input Shaft Pilot	MU7308L	1
Output Shaft	1312L	1
Countershaft Front	25590-25520	2
Countershaft Rear	MR1311GTAVR	1
Reverse Idler	J402480	2
1st Speed Gear	F53541	1
2nd Speed Gear	F53540	1
3rd Speed Gear	F53540	1
Input Shaft Seal	456744N (36158)	1
Output Shaft Seal	415013N (29925)	1
Remote Control Seal	350567 (8648)	2
Gasket Set	GT141	1
Gasket Set	GT141A	1

■ For Spicer Model 8844-A application only (Not packed in kit)

TRK-140

Position	Part Number	Quantity
Input Shaft	MSN1314GELR	1
Input Shaft Pilot	MU7308L	1
Output Shaft Front	MU1312UM	1
Output Shaft Rear	MSN1312GELR	1
Countershaft Front	25590-25520	2
Countershaft Rear	MR1312GEALR	1
Reverse Idler	J402480	2
1st Speed Gear	F53539	1
2nd Speed Gear	F53539	1
3rd Speed Gear	F53540	1
4th Speed Gear	F53540	1
Input Shaft Seal	456744N (36158)	1
Output Shaft Seal	455013 (29951)	1
Remote Control Seal	350567 (8648)	2
Gasket Set	GT141	1

TRK-141

Position	Part Number	Quantity
Input Shaft	MSN1314GELR	1
Input Shaft Pilot	MU7308L	1
Output Shaft Front	MU1312UM	1
Output Shaft Rear	MSN1312GELR	1
Countershaft Front	25590-25520	2
Countershaft Rear	MR1311GTAVR	1
Reverse Idler	J402480	2
1st Speed Gear	F53541	1
2nd Speed Gear	F53540	1
3rd Speed Gear	F53540	1
Input Shaft Seal	456744N (36158)	1
Output Shaft Seal	455013 (29951)	1
Remote Control Seal	350567 (8648)	2
Gasket Set	GT141	1

TRK-145

Position	Part Number	Quantity
Input Shaft	209SLV	1
Input Shaft Pilot	BS61	1
Auxiliary Drive Gear	117L	1
Auxiliary Mainshaft Front	MU1307V	1
Auxiliary Mainshaft Rear	1212L	1
Countershaft Front	MU1207UGV	2
Countershaft Rear	MU1306UGV	2
Auxiliary Countershaft Front	M1305GGTV	2
Auxiliary Countershaft Rear	MU1308TV	2
Reverse Idler	WJ162116	2
Input Shaft Seal (Dodge, Ford & I.H.)	452554N (14832)	1
Output Shaft Seal (Ford)	455088V (30098)	1
Auxiliary Output Shaft Seal	415991N (34891)	1
Snap Ring Set	SR145	1
Gasket Set	GT131A	1

TRK-145A

Position	Part Number	Quantity
Input Shaft	MU1209UGMR	1
Input Shaft Pilot	BS61	1
Auxiliary Drive Gear	117L	1
Auxiliary Mainshaft Front	MU1307V	1
Auxiliary Mainshaft Rear	1212L	1
Countershaft Front	MU1207UGV	2
Countershaft Rear	MU1306UGV	2
Auxiliary Countershaft Front	MR1206RUGV	2
Auxiliary Countershaft Rear	MR1308TV	2
Reverse Idler	WJ162116	2
Input Shaft Seal	452554N (14832)	1
Output Shaft Seal (Ford)	455088V (30098)	1
Auxiliary Mainshaft	415991N (34891)	1
O-Ring	OK15092	1
O-Ring	OK15093	1
Snap Ring Set	SR145A	1
Gasket Set	GT131A	1

TRK-146

Position	Part Number	Quantity
Input Shaft	MU1209UGMR	1
Input Shaft Pilot	BS61	1
Auxiliary Drive Gear	117L	1
Auxiliary Mainshaft	390A Assy 902A2 (A3071)	1
Countershaft Front	MU1207UGV	2
Countershaft Rear	MU1306UGV	2
Auxiliary Countershaft Front	MU1306UV	2
Auxiliary Countershaft Rear	1310L	2
Reverse Idler	WJ162116	2
Input Shaft Seal	452554N (14832)	1
Output Shaft Seal (Ford)	455088V (30098)	1
Auxiliary Output Shaft Seal	415983N (37330)	1
O-Ring Set	OK1000V	1
Snap Ring Set	SR146	1
Snap Ring	15980	1
Gasket Set	GT146	1

Heavy Duty Transmission Rebuild Kits

TRK-147

Position	Part Number	Quantity
Input Shaft	217SLE	1
Input Shaft Pilot	JH1812	1
Output Shaft	312L	1
Countershaft Front	311L	2
Countershaft Rear	WR61209EX	2
Reverse Idler	WJ162116	4
Countershaft Rear Snap Rings	SR348-1	2
Input Shaft Seal	412015V (21167)	1
Output Shaft Seal	455379V (37405)	1
Remote Control Seal	350567 (8648)●	2

TRK-148

Position	Part Number	Quantity
Input Shaft	N309L	1
Input Shaft Pilot	SR45304	1
Output Shaft	N309L	1
Countershaft Front	M28161	1
Countershaft Rear	N309L	1
Reverse Idler	F54970	2
Input Shaft Seal (1966-1972)	7412S (12363)●	1
Input Shaft Seal (1972 & Later)	472164 (17387)	1
Output Shaft Seal (2.5" I.D.)	450519 (24910)	1
Output Shaft Seal (2.25" I.D.)	450316 (22446)	1
Output Shaft Seal (2.625" I.D.)	411143N (26110)	1
Remote Control Seal	471267 (8660)●	1
Gasket Set	GT148	1

TRK-149

Position	Part Number	Quantity
Input Shaft	212SLV	1
Input Shaft Pilot	BS59	1
Auxiliary Drive Gear	118L	1
Auxiliary Mainshaft	29675 Assy 902A8 (A2892)	1
Countershaft Front	MSN1211REX	2
Countershaft Rear	MU1308TV	2
Auxiliary Countershaft Front	MUG1307GUM■	2
Auxiliary Countershaft Rear	1310SLV	2
Reverse Idler	HJ223020-IR18200H	2
Auxiliary Range Shaft Quill Front	204	1
Auxiliary Range Shaft Quill Rear	BS60	1
Clutch Nut	CN1 (8997)	1
Output Shaft Seal	415983N (37330)	1
Auxiliary Output Shaft Seal	415991N (34891)	1
O-Ring Set	OK1000V	1
O-Ring Set	OK17453	1
Snap Ring Set	SR149	1
Gasket Set	GT200N	1

●Models before 1973; use MR5208EL

TRK-149/2

Position	Part Number	Quantity
Input Shaft	212SLV	1
Input Shaft Pilot	BS59	1
Auxiliary Drive Gear	118L	1
Auxiliary Mainshaft	29675 Assy 902A8 (A2892)	1
Countershaft Front	MSN1211REX	2
Countershaft Rear	MU1308TV	2
Auxiliary Countershaft Front	MR1307EX■	2
Auxiliary Countershaft Rear	1310SLV	2
Reverse Idler	HJ223020-IR18200H	2
Auxiliary Range Shaft Quill Front	204	1
Auxiliary Range Shaft Quill Rear	BS60	1
Clutch Nut	CN1 (8997)	1
Output Shaft Seal (3.75" Shaft)	415983N (37330)	1
Auxiliary Output Shaft Seal	415991N (34891)	1
O-Ring Set	OK1000V	1
O-Ring Set	OK17453	1
Snap Ring Set	SR149	1
Gasket Set	GT200N	1

■Models before 1973; use MR5208EL

TRK-149AUX

Position	Part Number	Quantity
Auxiliary Mainshaft	29675 Assy 902A8 (A2892)	1
Auxiliary Countershaft Front	MUG1307GUM■	2
Auxiliary Countershaft Rear	1310SLV	2
Auxiliary Range Shaft Quill Front	204	1
Auxiliary Range Shaft Quill Rear	BS60	1
Auxiliary Output Shaft Seal (3.75" I.D.)	415983N (37330)	1
O-Ring Set	OK1000V	1
Snap Ring Set	SR1000	1
Gasket Set	GT200N	1

■Models before 1973; use MR5208EL

TRK-149AUX/2

Position	Part Number	Quantity
Auxiliary Mainshaft	29675 Assy 902A8 (A2892)	1
Auxiliary Countershaft Front	MR1307EX■	2
Auxiliary Countershaft Rear	1310SLV	2
Auxiliary Range Shaft Quill Front	204	1
Auxiliary Range Shaft Quill Rear	BS60	1
Auxiliary Output Shaft Seal	415983N (37330)	1
O-Ring Set	OK1000V	1
Snap Ring Set	SR1000	1
Gasket Set	GT200N	1

■Models before 1973; use MR5208EL

TRK-152

Position	Part Number	Quantity
Input Shaft Front	217SLE	1
Input Shaft Rear	1911S	1
Input Shaft Pilot	JH1812	1
Output Shaft	312L	1
Countershaft Front	311L	2
Countershaft Rear	WR61209EX	2
Reverse Idler	WJ162116	4
Countershaft Rear Snap Rings	SR348-1	2
Input Shaft Seal	412015V (21167)	1
Output Shaft Seal	455379V (37405)	1
Gasket Set	GT147	1

TRK-155

Position	Part Number	Quantity
Input Shaft Front	MR1212EL	1
Input Shaft Rear	MRB1313EL	1
Input Shaft Pilot	MR1308EL	1
Output Shaft	1412L	1
Countershaft Front	MR1311EAHL	1
Countershaft Rear	MR1311EAHL	1
Mainshaft 1st Speed Gear	F53543	1
Mainshaft 2nd Speed Gear	F53543	1
Mainshaft 3rd Speed Gear	F53542	1
Input Shaft Seal	415281N (29870)	1
Output Shaft Seal	415281N (29870)	1
Shift Shaft Seal (Side Mount)	350567 (8648)●	4
Shift Shaft Seal (Top Mount)	450680 (8702)●	2
Gasket Set	GT155	1

TRK-156

Position	Part Number	Quantity
Input Shaft	212ASLB	1
Input Shaft Pilot	J362048	1
Input Shaft Pilot (T-495/T-496 Models)	WJ182420	1
Output Shaft	309L	1
Countershaft Front	M1207EL	1
Countershaft Rear	1308SL	1
Reverse Idler	J361652	2
Input Shaft Seal (1.25" Shaft)	471413 (12364)	1
Input Shaft Seal (1.5" Shaft)	452554N (14832)	1
Output Shaft Seal	411143N (26110)	1
Remote Control Seal	6835S (7440)	1
Shift Shaft Seal	240735 (7409)	1
Gasket Set	GT156	1

TRK-157A

Position	Part Number	Quantity
Input Shaft	N1211L	1
Input Shaft Pilot	QAR34604	17
Output Shaft	1308L	1
Countershaft Front (1978 & Earlier)	M1305GGTV	1
Countershaft Front (1979 & Later)	R1563TAV	1
Countershaft Rear	1308L	1
Input Shaft Seal	481181N (16054)	1
Output Shaft Seal	410085N (19970)	1
Gasket Set	GT157	1

TRK-157B

Position	Part Number	Quantity
Input Shaft	211FFLE	1
Input Shaft Pilot	QAR34604	17
Output Shaft	1308L	1
Countershaft Front (1979 & Later)	R1563TAV	1
Countershaft Rear	1308L	1
Input Shaft Seal	481181N (16054)	1
Output Shaft Seal	410085N (19970)	1
Gasket Set	GT157	1

Heavy Duty Transmission Rebuild Kits

TRK-157L

Position	Part Number	Quantity
Input Shaft	N1211L	1
Input Shaft Pilot	QAR34604	17
Output Shaft	1308L	1
Countershaft Front (1979 & Later)	R1563TAV	1
Countershaft Rear	1308L	1
Input Shaft Seal	481181N (16054)	1
Output Shaft Seal	410085N (19970)	1
Gasket Set	GT157	1

TRK-158

Position	Part Number	Quantity
Input Shaft Front	212	1
Input Shaft Rear	MR1213EL	1
Input Shaft Pilot	JH1812	1
Output Shaft	214LH	1
Countershaft Front	MU1311UGMR	2
Countershaft Rear	MR1309EAL	2
Input Shaft Seal	415281N (29870)	1
Output Shaft Seal	415035 (39934)	1
Shift Rail Seal	450032 (8703)	2
Gasket Set	GT158	1

TRK-159

Position	Part Number	Quantity
Input Shaft	212SLV	1
Input Shaft Pilot	BS59	1
Auxiliary Drive Gear	118L	1
Auxiliary Mainshaft	29675 Assy 902A8 (A2892)	1
Countershaft Front	MSN1211REX	2
Countershaft Rear	MU1308TV	2
Auxiliary Countershaft Front	MR1307EL	2
Auxiliary Countershaft Rear	5310WL	2
Reverse Idler	HJ223020-IR18200H	2
Range Shaft Quill Front	204	1
Range Shaft Quill Rear	BS60	1
Clutch Nut	CN1 (8997)	1
Output Shaft Seal	415983N (37330)	1
Auxiliary Mainshaft Rear Seal	415991N (34891)	1
O-Ring Set	OK1000V	1
Snap Ring Set	SR159	1
Gasket Set	GT200N	1

■ Models before 1973; use MR5208EL

TRK-159A

Position	Part Number	Quantity
Input Shaft	212SLV	1
Input Shaft Pilot	BS59	1
Auxiliary Drive Gear	118L	1
Auxiliary Mainshaft	29675 Assy 902A8 (A2892)	1
Countershaft Front	BS500192-S	2
Countershaft Rear	MU1308TV	2
Reverse Idler	HJ223020-IR18200H	2
Auxiliary Countershaft	MR1307EL	2
Auxiliary Countershaft Rear	5310WL	2
Range Shaft Quill Front	204	1
Range Shaft Quill Rear	BS60	1
Clutch Nut	CN1 (8997)	1
Output Shaft Seal	415983N (37330)	1
Auxiliary Mainshaft Rear Seal	415991N (34891)	1
O-Ring Set	OK1000V	1
Snap Ring Set	SR159	1
Gasket Set	GT200N	1

TRK-160

Position	Part Number	Quantity
Input Shaft	212SLV	1
Input Shaft Pilot	BS59	1
Auxiliary Drive Gear	118L	1
Auxiliary Mainshaft	29675 Assy 902A8 (A2892)	1
Countershaft Front	MSN1211REX	2
Countershaft Rear	MU1308TV	2
Reverse Idler	HJ223020-IR18200H	2
Auxiliary Countershaft Front	MR1307EL	2
Auxiliary Countershaft Rear	1311L	2
Clutch Nut	CN1 (8997)	1
Auxiliary Output Shaft Seal	415991N (34891)	1
Output Shaft Seal	415983N (37330)	1
O-Ring Set	OK1000V	1
Snap Ring Set	SR160	1
Gasket Set	GT200N	1

■ Models before 1973; use MR5208EL

TRK-161

Position	Part Number	Quantity
Rear Output Shaft Front	14131-14276	1
Rear Output Shaft Rear	14131-14276	1
Intermediate Gear	Q13367	48
Intermediate Shift Front	J361644	1
Intermediate Shift Rear	J361644	1
Front Output Shift Front	206	1
Shift Shaft Seal	450009 (6203)	2
Output Shaft Seal	472635 (15450)	2
Sealer	RTV Silicone	1

TRK-165

Position	Part Number	Quantity
Input Shaft	307L	1
Input Shaft Pilot	C1960Q	70
Front Output Front	307L	1
Front Output Rear	M28161	1
Front Output Pilot	QBR23549	15
Rear Output	307L	1
Extension Housing	B3216	1
Idler Gear Thrust	NTA2840	1
Idler Gear Thrust	JF22978	1
Idler Gear	C1086Q	82
Input Shaft Seal	473468 (21211)	1
Front Output Shaft Seal	473468 (21211)	1
Rear Output Shaft Seal	473468 (21211)	1
Shift Seal	470954 (7440)	2
Sealer	RTV Silicone	1

TRK-166A

Position	Part Number	Quantity
Front Output Shaft Front	14116-14276	1
Front Output Shaft Rear	14116-14276	1
Rear Output Shaft Front	25877-25821	1
Rear Output Shaft Rear	15117-15245	1
Intermediate Gear	Q13367	48
Shift Shaft Seal	450009 (6203)	1
Output Shaft Seal	472635 (15450)	2
Sealer	RTV Silicone	1

TRK-167

Position	Part Number	Quantity
Input Shaft Front	1309S	1
Input Shaft Rear	1307S	1
Idler Gear Front	HM89449-HM89411	1
Idler Gear Rear	31597-31521	1
Upper Output Shaft Front	25878-25821	1
Upper Output Shaft Rear	25584-25520	1
Lower Output Shaft Front	208L	1
Lower Output Shaft Rear	211L	1
Input Shaft Seal	471341N (22340)	1
Output Shaft Rear Seal	471341N (22340)	1
Declutch Shaft Seal	415483 (26190)	1
PTO Shaft Seal	470898 (21100)	1
Shift Shaft Seal	6835S (7440)	2
Sealer	RTV Silicone	1

TRK-172

Position	Part Number	Quantity
Input Shaft Front	1307L	1
Front Output Shaft Front	307L	1
Rear Inner	QBR23549	64
Rear Outer	M28161	1
Output Shaft Pilot	QAR29523	15
Idler Gear	2793-2720	2
Rear Output Shaft Front	B3216	1
Rear Output Shaft Rear	307L	1
Low Gear	QBR23549	64
Adapter Seal	710005 (17720)	1
Shift Seal	2287 (7443)	2
Output Shaft Seal	473468 (21211)	2
Adapter Seal (GMC Only)	471424 (19762)	2
Gasket Set	GT172	1

Heavy Duty Transmission Rebuild Kits

TRK-172FG

Position	Part Number	Quantity
Input Shaft Front	1210L	1
Output Shaft Front	307L	1
Rear Inner	QBR23549	64
Rear Outer	M28161	1
Output Shaft Pilot	QAR29523	15
Idle Gear	2793-2720	2
Rear Output Shaft Front	B3216	1
Rear Output Shaft Rear	307L	1
Low Gear	QBR23549	64
Front Output Shaft Seal	710005 (17720)	1
Rear Shift Shaft Seal	2287 (7443)	2
Rear Output Shaft Seal	473468 (21211)	1
Input Seal (Ford)	471869 (9998)●	2
Input Seal (GMC)	473468 (21211)●	1
Gasket Set	GT172	1

TRK-174

Position	Part Number	Quantity
Input Shaft	HM88649-HM88610	1
Input Shaft Pilot	QBR42536	14
Output Shaft	25581-25520	1
Countershaft Front	M24161X1	1
Countershaft Rear	B3216	1
Reverse Idler	Q8324	21
Reverse Idler Thrust	FA35688	1
Input Shaft Seal	471413 (12364)	1
Output Shaft Seal	470898 (21100)	1
Output Shaft Seal	473243 (21302)	1
Gasket Set	GT172	1

TRK-177

Position	Part Number	Quantity
Input Shaft	1213SL	1
Input Shaft Pilot	QBR35171	15
Output Shaft	1310L1	1
Countershaft Front	M28161	1
Countershaft Rear	MU1209UBM	1
Reverse Idler	Q8321	42
Input Shaft Seal	481181N (16054)	1
Output Shaft Seal	450329 (26123)	1
Sealer	RTV Silicone	1

TRK-179

Position	Part Number	Quantity
Input Shaft	212SLV	1
Input Shaft Pilot	BS59●	1
Auxiliary Drive Gear	118L	1
Auxiliary Mainshaft	390A Assy 902A2 (A3071)	1
Countershaft Front	MSN1211REX	2
Countershaft Rear	MU1308TV	2
Reverse Idler	HJ223020-IR18200H	2
Auxiliary Countershaft Front	MR1307EL	2
Auxiliary Countershaft Rear	1310L	2
Clutch Nut	CN1 (8997)	1
Auxiliary Output Shaft Seal	415983N (37330)	1
O-Ring Set	OK1000V	1
Snap Ring Set	SR179	1
Gasket Set	GT200N	1

TRK-180

Position	Part Number	Quantity
Input Shaft	JM511946-JM511910	1
Input Shaft Pilot	2580	1
Output Shaft	JM511946-JM511910	1
Countershaft Front	25584-25520	1
Countershaft Rear	25584-25520	1
Reverse Idler	WJ162116	2
Mainshaft 1st Speed Gear	F81205	1
Mainshaft 2nd Speed Gear	C437Q	1
Mainshaft Reverse Gear	F81205	1
Input Shaft Seal	452742 (17810)	1
Output Shaft Seal	450519 (24910)	1
Output Shaft Seal	415004 (27370)	1
Output Shaft Seal	475322N (27295)●	1
Remote Control Seal	350567 (8648)●	2
Gasket Set	GT180	1

TRK-181

Position	Part Number	Quantity
Input Shaft	217SL	1
Input Shaft Pilot	JH1812	1
Output Shaft	312L	1
Countershaft Front	311L	2
Countershaft Rear	WR61209EX	2
Reverse Idler	WJ162116	4
Output Shaft Rear	214L	1
Countershaft Rear Snap Rings	SR348-1	2
Input Shaft Seal	412015V (21167)	1
Output Shaft Seal	455379V (37405)	1
Gasket Set	GT181	1

TRK-182

Position	Part Number	Quantity
Input Shaft Front	209	1
Front Output Shaft Front	M86649-M86610	1
Front Output Shaft Rear	M86649-M86610	1
Rear Output Shaft Front	25877-25821	1
Rear Output Shaft Rear	15117-15245	1
Rear Output Shaft Pilot	JH1612	1
Intermediate Shaft	Q13367	48
Shift Rail Seal	450009 (6203)	2
Output Shaft Front Seal	711552 (15635)	1
Output Shaft Rear Seal	711552 (15635)	1
Input Shaft Seal	471689 (9998)	1
Gasket Set	GT181	1

TRK-183

Position	Part Number	Quantity
Input Shaft	212ASLB	1
Input Shaft Pilot	WJ182420	1
Output Shaft	309L	1
Countershaft Front	M1207EL	1
Countershaft Rear	1308SL	1
Reverse Idler	J361652	4
1st Speed Gear	Q8308	116
2nd Speed Gear	Q8371	110
Reverse Gear	Q8308	116
1st Speed Gear Thrust	RA53421●	1
Reverse Gear Thrust	RA53422	1
Thrust Spacer	JB53851	1
Input Shaft Seal (1.25" shaft)	471413 (12364)	1
Input Shaft Seal (1.5" shaft)	452554N (14832)	1
Output Shaft Seal	411143N (26110)	1
Gasket Set	GT156	1

TRK-184

Position	Part Number	Quantity
Input Shaft	212SLV	1
Input Shaft Pilot	BS59●	1
Auxiliary Drive Gear	117L	1
Auxiliary Mainshaft	29675 Assy 902A8 (A2892)	1
Countershaft Front	MSN1211REX	2
Reverse Idler	HJ223020-IR18200H	2
Countershaft Rear	MU1308TV	2
Auxiliary Countershaft Front	MR1307EL	2
Auxiliary Countershaft Rear	5310WL	2
Range Shaft Quill Front	204	1
Range Shaft Quill Rear	BS60	1
Input Shaft Nut	CN1 (8997)	1
Output Shaft Seal	415983N (37330)	1
O-Ring Set	OK1000V	1
Snap Ring Set	SR184	1
Gasket Set	GT200N	1

TRK-185

Position	Part Number	Quantity
Input Shaft	214L	1
Input Shaft Pilot	MA1205EL	1
Output Shaft	214L	1
Countershaft Front	308L	3
Countershaft Rear	MA1209EL	3
Rear Countershaft Rear	1208L■	2
Reverse Idler	J361648	3
Shift Rail	SCE2014P	3
Input Shaft Seal	2822V (20599)	1
Output Shaft Seal	415991N (34891)	1
Clutch Release Seal	343186 (12330)	1
Shift Rail Seal	7750 (7414)	2
O-Ring	OK6561	1
Snap Ring Set	SR185	1
Gasket Set	GT185	1

■ Model TRL1078 requires 1 additional 1208L not packed in kit

Heavy Duty Transmission Rebuild Kits

TRK-186

Position	Part Number	Quantity
Input Shaft	JM511946-JM511910	1
Input Shaft Pilot	25877-25821	1
Output Shaft	3979-JM511910	1
Countershaft Front	M804049-M804010	1
Countershaft Rear	JLM506849-JLM506810	1
Reverse Idler	WJ162116	2
Mainshaft 1st & Reverse Gear	F56619	2
Input Shaft Seal	452742 (17810)	1
Output Shaft Seal	415004 (27370)	1
Output Shaft Seal	47532N (27295)•	1
Gasket Set	GT186	1

TRK-187

Position	Part Number	Quantity
Input Shaft	214SL	1
Input Shaft Pilot	7205TA	1
Output Shaft Pilot	IR2016-B2416	1
Output Shaft Front	214L	1
Output Shaft Rear	MA1213EL	1
Countershaft Front	308L	3
Countershaft Rear	MAR5209-M5209EL	3
Rear Countershaft Front	MAR5209-M1209EL	3
Rear Countershaft Rear	1208L	3
Reverse Idler	J361648	3
Shift Rail Bearing	SCE2014P	3
Input Shaft Seal	415027N (35083)	1
Output Shaft Seal	2822V (20599)	1
Clutch Release Seal	343186 (12330)	1
Shift Rail Seal	7750 (7414)	2
O-Ring	OK6561	1
Snap Ring Set	SR187	1
Gasket Set	GT213	1

TRK-188

Position	Part Number	Quantity
Input Shaft	212SLV	1
Input Shaft Pilot	BS59•	1
Auxiliary Drive Gear	117L	1
Auxiliary Mainshaft	29675 Assy 902A8 (A2892)	1
Countershaft Front	MSN1211REX	2
Countershaft Rear	MU1308TV	2
Reverse Idler	HJ223020-IR18200H	2
Auxiliary Countershaft Front	MR1307EL	2
Auxiliary Countershaft Rear	1311L	2
Input Shaft Nut	CN1 (8997)	1
Output Shaft Seal	415983N (37330)	1
O-Ring Set	OK1000V	1
Snap Ring Set	SR188	1
Gasket Set	GT200N	1

TRK-189

Position	Part Number	Quantity
Input Shaft	217SL	1
Input Shaft Pilot	JH1812	1
Mainshaft Rear	312L	1
Auxiliary Mainshaft Pilot	1911S	1
Auxiliary Mainshaft Rear	214L	1
Countershaft Front	MSN1311GELR	2
Countershaft Rear	WR61209EX	2
Reverse Idler	WJ162116	4
Output Shaft	MU1207TV	1
Auxiliary Countershaft Front	JLM104948-JLM104910	2
Auxiliary Countershaft Rear	JLM104948-JLM104910	2
Input Shaft Seal	415013N (29925)	1
Input Shaft Seal	412015V (21167)	1
Output Shaft Seal	455379V (37405)	1
Countershaft Rear Snap Rings	SR348-1	2
Gasket Set	GT189	1

TRK-190

Position	Part Number	Quantity
Input Shaft	M802048-M802011	1
Input Shaft Pilot	QBR49845	14
Output Shaft	25584-25547RB	1
Countershaft Front	M28161	1
Countershaft Rear	MU1309SGNV	1
Reverse Idler	J361644■	2
4th & 5th Shift Hub Bearing	FA35688	1
4th & 5th Shift Hub Race	TR235383	1
Input Shaft Seal	473010N (16247)	1
Output Shaft Seal	450519 (24910)	1
Output Shaft Seal	455322N (27292)	1
Gasket Set	GT148	1

■ Some Late GMC may use F54970

TRK-191

Position	Part Number	Quantity
Input Shaft	MR1211GEL	1
Input Shaft Pilot	MR1205EL	1
Mainshaft Rear	214L	1
Auxiliary Mainshaft Pilot	MU1207TV	1
Auxiliary Mainshaft Rear	214L	1
Countershaft Front	1311L	2
Countershaft Rear	WR61209EX	2
Reverse Idler	WJ162116	4
Auxiliary Countershaft Front	JLM104948-JLM104910	2
Auxiliary Countershaft Rear	JLM506849-JLM506810	2
Input Shaft Seal	412015V (21167)	1
Output Shaft Seal	455379V (37405)	1
Countershaft Rear Snap Rings	SR348-1	2
Gasket Set	GT191	1

TRK-192

Position	Part Number	Quantity
Input Shaft	MR1211GEL	1
Input Shaft Pilot	MR1205EL	1
Output Shaft	214L	1
Countershaft Front	1311L	2
Countershaft Rear	WR61209EX	2
Countershaft Rear (GMC Models)	MU1209TM•	2
Reverse Idler	WJ162116	4
Input Shaft Seal	412015V (21167)	1
Input Shaft Seal	473010N (16247)	1
Mainshaft Rear Seal	455379V (37405)	1
Countershaft Rear Snap Rings	SR348-1	2
Gasket Set	GT192	1

TRK-193

Position	Part Number	Quantity
Input Shaft	217SLE■	1
Input Shaft Pilot	JH1812	1
Output Shaft	214L	1
Countershaft Front	1311L	2
Countershaft Rear	WR61209EX	2
Countershaft Rear (GMC Models)	MU1209TM•	2
Reverse Idler	WJ162116	4
Input Shaft Seal	412015V (21167)	1
Mainshaft Rear Seal	455379V (37405)	1
Countershaft Rear Snap Rings	SR348-1	2
Gasket Set	GT193	1

■ For 1986 & Later Models; use MR1211GEL (Not packed in kit)

TRK-194

Position	Part Number	Quantity
Input Shaft	MR1211GEL	1
Input Shaft Pilot	JH1812	1
Mainshaft Rear	214L	1
Auxiliary Mainshaft Pilot	MU1207TV	1
Auxiliary Mainshaft Rear	214L	1
Countershaft Front	MU1311UGMR	2
Countershaft Rear	WR61209EX	2
Countershaft Rear (GMC Models)	MU1209TM•	2
Reverse Idler	WJ162116	4
Auxiliary Countershaft Front	JLM104948-JLM104910	2
Auxiliary Countershaft Rear	JLM506849-JLM506810	2
Input Shaft Seal	412015V (21167)	1
Output Shaft Seal	455379V (37405)	1
Countershaft Rear Snap Rings	SR348-1	2
Gasket Set	GT191	1

Heavy Duty Transmission Rebuild Kits

TRK-201

Position	Part Number	Quantity
Input Shaft	212SLV	1
Input Shaft Pilot	BS59	1
Auxiliary Drive Gear	118L	1
Auxiliary Mainshaft	29675 Assy 902A8 (A2892)	1
Countershaft Front	BS500192-S	2
Countershaft Rear	MU1308TV	2
Reverse Idler	HJ223020-IR18200H	2
Auxiliary Countershaft Front	MR1307EL	2
Auxiliary Countershaft Rear	1311L	2
Input Shaft Nut	CN1 (8997)	1
Output Shaft Seal	415983N (37330)	1
O-Ring Set	OK1000V	1
O-Ring Set	OK17453	1
Snap Ring Set	SR201	1
Gasket Set	GT200N	1

TRK-202

Position	Part Number	Quantity
Input Shaft	212SLV	1
Input Shaft Pilot	BS59	1
Auxiliary Drive Gear	118L	1
Auxiliary Mainshaft	29675 Assy 902A8 (A2892)	1
Countershaft Front	1309L	2
Countershaft Rear	MU1308TV	2
Reverse Idler	HJ223020-IR18200H	2
Auxiliary Countershaft Front	MR1307EL	2
Auxiliary Countershaft Rear	5310WLB	2
Range Shaft Quill Front	204	1
Range Shaft Quill Rear	BS60	1
Input Shaft Nut	CN1 (8997)	1
Auxiliary Mainshaft Rear Seal	415983N (37330)	1
O-Ring Set	OK1000V	1
O-Ring Set	OK17453	1
Snap Ring Set	SR202	1
Gasket Set	GT200N	1

TRK-203

Position	Part Number	Quantity
Input Shaft	212SLV	1
Input Shaft Pilot	BS59	1
Auxiliary Drive Gear	118L	1
Auxiliary Mainshaft	390A Assy 902A2 (A3071)	1
Countershaft Front	BS500192-S	2
Countershaft Rear	MU1308TV	2
Countershaft Rear	MR1308TV [■]	2
Reverse Idler	HJ223020-IR18200H	2
Auxiliary Countershaft Front	MR1307EL	2
Auxiliary Countershaft Rear	1310L	2
Range Shaft Quill Front	204	1
Range Shaft Quill Rear	BS60	1
Input Shaft Nut	CN1 (8997)	1
Auxiliary Mainshaft Rear Seal	415983N (37330)	1
O-Ring Set	OK1000V	1
O-Ring Set	OK17453	1
Snap Ring Set	SR159	1
Gasket Set	GT200N	1

[■] For RT-11613 Series only Use (2) pieces MR1308TV (Not packed in kit)

TRK-204

Position	Part Number	Quantity
Input Shaft	212SLV	1
Input Shaft Pilot	BS59	1
Output Shaft	214LB	1
Countershaft Front	BS500192-S	2
Countershaft Rear	BS500192-S	2
Countershaft Front	1213A	1
Countershaft Rear	1213A	1
Reverse Idler	WJ162116	4
Input Shaft Nut	CN1 (8997)	1
Output Shaft Seal	415983N (37330)	1
O-Ring Set	OK20128	1
Snap Ring Set	SR204	1
Gasket Set	GT200N	1

TRK-205

Position	Part Number	Quantity
Input Shaft	212SLV	1
Input Shaft Pilot	BS59	1
Auxiliary Drive Gear	118L	1
Auxiliary Mainshaft	29675 Assy 902A8 (A2892)	1
Countershaft Front	BS500192-S	2
Countershaft Rear	MU1308TV	2
Reverse Idler	HJ223020-IR18200H	2
Auxiliary Countershaft Front	MR1307EL	2
Auxiliary Countershaft Rear	1311L	2
Input Shaft Nut	CN1 (8997)	1
Auxiliary Mainshaft Rear Seal	415983N (37330)	1
O-Ring Set	OK1000V	1
O-Ring Set	OK17453	1
Snap Ring Set	SR160	1
Gasket Set	GT200N	1

TRK-206

Position	Part Number	Quantity
Input Shaft	212SLV	1
Input Shaft Pilot	BS59	1
Auxiliary Drive Gear	118L	1
Auxiliary Mainshaft	29675 Assy 902A8 (A2892)	1
Countershaft Front	BS500192-S	2
Countershaft Rear	MU1308TV	2
Reverse Idler	HJ223020-IR18200H	2
Auxiliary Countershaft Front	MU61307GUM	2
Auxiliary Countershaft Rear	1310SLV	2
Range Shaft Quill Front	204	1
Range Shaft Quill Rear	BS60	1
Input Shaft Nut	CN1 (8997)	1
Auxiliary Mainshaft Rear Seal	415983N (37330)	1
O-Ring Set	OK1000V	1
O-Ring Set	OK17453	1
O-Ring	OR-217V	1
O-Ring	OR-221V	1
Snap Ring Set	SR159	1
Gasket Set	GT200N	1

TRK-206/2

Position	Part Number	Quantity
Input Shaft	212SLV	1
Input Shaft Pilot	BS59	1
Auxiliary Drive Gear	118L	1
Auxiliary Mainshaft	29675 Assy 902A8 (A2892)	1
Countershaft Front	BS500192-S	2
Countershaft Rear	MU1308TV	2
Reverse Idler	HJ223020-IR18200H	2
Auxiliary Countershaft Front	MR1307EX	2
Auxiliary Countershaft Rear	1310SLV	2
Range Shaft Quill Front	204	1
Range Shaft Quill Rear	BS60	1
Input Shaft Nut	CN1 (8997)	1
Auxiliary Mainshaft Rear Seal	415983N (37330)	1
O-Ring Set	OK1000V	1
O-Ring Set	OK17453	1
O-Ring	OR-217V	1
O-Ring	OR-221V	1
Snap Ring Set	SR159	1
Gasket Set	GT200N	1

TRK-207

Position	Part Number	Quantity
Input Shaft	212SLV	1
Input Shaft Pilot	BS59	1
Auxiliary Drive Gear	118L	1
Auxiliary Mainshaft	29675 Assy 902A8 (A2892)	1
Countershaft Front	BS500192-S	2
Countershaft Rear	MU1308TV	2
Reverse Idler	HJ223020-IR18200H	2
Auxiliary Countershaft Front	MR1307EL	2
Auxiliary Countershaft Rear	5310WLB	2
Range Shaft Quill Front	204	1
Range Shaft Quill Rear	BS60	1
Input Shaft Nut	CN1 (8997)	1
Auxiliary Mainshaft Rear Seal	415983N (37330)	1
O-Ring Set	OK1000V	1
O-Ring Set	OK17453	1
Snap Ring Set	SR207	1
Gasket Set	GT200N	1

TRK-208

Position	Part Number	Quantity
Input Shaft	M802048-M802011	1
Input Shaft Pilot	QBR49845	14
Output Shaft	25581-25520	1
Auxiliary Mainshaft Front (Ford)	28580	1
Countershaft Front	25877-25821	1
Countershaft Rear	2689-2631	1
Reverse Idler	QA48181A	56
Mainshaft 1st & 2nd Gear	F94490	2
Mainshaft 3rd & Reverse Gear	F84003	2
Mainshaft 4th Gear	F94488	1
4th & 5th Shift Hub Bearing	FA35688	1
4th & 5th Shift Hub Race	TR235383	1
Input Shaft Seal	473010N (16247)	1
Output Shaft Seal	450519 (24910)	1
Output Shaft Seal	712512	1
Gasket Set	GT208	1

Heavy Duty Transmission Rebuild Kits

TRK-208D

Position	Part Number	Quantity
Input Shaft	M804049-M804010	1
Input Shaft Pilot	QBR49845	14
Output Shaft	25581-25520	1
Countershaft Front	25877-25821	1
Countershaft Rear	2689-2631	1
4th & 5th Shift Hub Bearing	FA35688	1
4th & 5th Shift Hub Race	TR235383	1
Mainshaft 1st & 2nd Gear	F94490	2
Mainshaft 3rd & Reverse Gear	F84003	2
Mainshaft 4th Gear	F94488	1
Reverse Idler	QA48181A	56
Input Shaft Seal	712516	1
Output Shaft Seal	712512	1
Gasket Set	GT208	1

TRK-209

Position	Part Number	Quantity
Input Shaft Front	1210L	2
Front Output Shaft Front	307L	2
Front Output Shaft	C1086Q	138
Rear Output Shaft Inner	B3616	1
Front Output Shaft Rear	M28161	1
Countershaft	QAR29523	135
Rear Carrier	Q8113	132
Front Output Shaft Seal	710005 (17720)	1
Rear Output Shaft Seal	473204 (21061)	1
Input Shaft Seal	3173 (19236) ■	2
Sealer	RTV Silicone	1

■ Install Seals Back to Back

TRK-210

Position	Part Number	Quantity
Input Shaft	7211HL	1
Input Shaft Pilot	SCE2420	1
Output Shaft	7211HL	1
Countershaft Front	LM48548-LM48510	1
Countershaft Rear	LM102949-LM102910	1
Mainshaft 1st and Reverse Gears	F93290	2
Mainshaft 2nd Gear	F95407	1
Reverse Idler	WJ162116	2
Drive Gear Seal	330749V (15506)	1
Drive Gear Seal	5133 (18049) ■●	1
Output Shaft Seal	455322V (27293)	1
Gasket Set	GT210	1

■ With Ford E4HT7003ATA, BNA, E5HT-JA, KA

TRK-211

Position	Part Number	Quantity
Input Shaft	212SLV	1
Input Shaft Pilot	BS59●	1
Auxiliary Drive Gear	118L	1
Auxiliary Mainshaft	390A Assy 902A2 (A3071)	1
Countershaft Rear	MU1308TV	2
Countershaft Front	BS500192-S	2
Auxiliary Countershaft Front	MR1307EL	2
Auxiliary Countershaft Rear	1310L	2
Reverse Idler	HJ223020-IR18200H	2
Input Shaft Nut	CN1 (8997)●	1
Output Shaft Seal	415983N (37330)	1
Mainshaft Front Seal (1.937" Shaft)	450094N (19407)	1
Mainshaft Front Seal (2.250" Shaft)	470737N (22424)	1
Snap Ring Set	SR159	1
Gasket Set	GT200N	1

TRK-212

Position	Part Number	Quantity
Output Shaft Front	B2816	1
Output Shaft Thrust	NTA2840	2
Output Shaft Rear	J2416	1
Output Shaft Rear	1207L	1
Case Input	B5020	2
Input Gear Thrust	AXK5070	1
Mainshaft Thrust	TC2435	1
Drive Gear	B2012	1
Sprocket Carrier	C1086Q	138
Output Shaft Front Seal	3946 (18612)	1
Output Shaft Rear Seal (GMC)	9449 (18992)	1
Output Shaft Rear Seal (Dodge)	472572 (18658)	1
Oil Pump Housing Seal	341022 (23306)	1
Case Input Seal	3173 (19236) ■	2
Sealer	RTV Silicone	1

■ Install Seals Back to Back

TRK-212FA

Position	Part Number	Quantity
Output Shaft Front	B2816	1
Output Shaft Thrust	NTA2840	2
Output Shaft Rear	J2416	1
Output Shaft Rear	1207L	1
Case Input	B5020	2
Input Gear Thrust	AXK5070	1
Mainshaft Thrust	TC2435	1
Drive Gear	B2012	1
Sprocket Carrier	C1086Q	138
Output Shaft Front Seal	3946 (18612)	1
Output Shaft Rear Seal	3946 (18612)	1
Output Shaft Rear Seal	4333N (18992)	1
Oil Pump Housing Seal	341022 (23306)	1
Case Input Seal	3173 (19236) ■	2
Sealer	RTV Silicone	1

■ Install Seals Back to Back

TRK-213

Position	Part Number	Quantity
Input Shaft	214SL	1
Input Shaft Pilot	MA1205EL	1
Main Drive Gear	214L	1
Main Drive Gear Pilot	7205TA	1
Output Shaft Pilot	IR2016-B2416	1
Output Shaft Front	214L	1
Output Shaft Rear	MA1213EL	1
Compound Case Countershaft Front	308L	3
Compound Case Countershaft Rear	206	3
Countershaft Front	308LH	3
Countershaft Rear	MAR5209-M5209EL	3
Rear Countershaft Front	MAR5209-M1209EL	3
Rear Countershaft Rear	1208L	3
Reverse Idler	J361648	3
Shift Rail	SCE2014P	2
Input Shaft Seal	2822V (20599)	1
Output Shaft Seal	415027N (35083)	1
Clutch Release Shaft Seal	343186 (12330)	1
Shift Rail Seal	7750 (7414)	1
O-Ring Set	OK213	1
Snap Ring Set	SR213	1
Gasket Set	GT213	1

TRK-213SD

Position	Part Number	Quantity
Input Shaft	214SL	1
Input Shaft Pilot	MA1205EL	1
Main Drive Gear	214L	1
Main Drive Gear Pilot	7205TA	1
Output Shaft Pilot	IR2016-B2416	1
Output Shaft Front	214L	1
Output Shaft Rear	MA1213EL	1
Compound Case Countershaft Front	MU1308RUMW3	3
Compound Case Countershaft Rear	206	3
Countershaft Front	MU1308RUMW789	3
Countershaft Rear	MAR5209-M5209EL	3
Rear Countershaft Front	MAR5209-M1209EL	3
Rear Countershaft Rear	MU1208RUMW3	3
Reverse Idler	J361648	3
Shift Rail	SCE2014P	2
Input Shaft Seal	2822V (20599)	1
Output Shaft Seal	415027N (35083)	1
Clutch Release Shaft Seal	343186 (12330)	1
Shift Rail Seal	7750 (7414)	1
O-Ring Set	OK213	1
Snap Ring Set	SR213	1
Gasket Set	GT213	1

Heavy Duty Transmission Rebuild Kits

TRK-214

Position	Part Number	Quantity
Input Shaft	214S	1
Input Shaft Pilot	MA1205TV	1
Output Shaft Pilot	IR1816-SCH2216	1
Output Shaft Front	118L	1
Output Shaft Rear	83B043C3	1
Countershaft Front	JLM104948-JLM104910	3
Countershaft Rear	LM501349-LM501310	3
Rear Countershaft Front	LM501349-LM501310	3
Rear Countershaft Rear	3780-3720	3
Reverse Idler	JH1818	3
Countershaft Rear	IR1816	1
Shift Rail	B1612	2
Input Shaft Seal	2822V (20599)	1
Output Shaft Seal	415983N (37330)	1
Shift Rail Seal	240731 (9815)	1
Snap Ring Set	SR214	1
Gasket Set	GT214	1

TRK-214MK

Position	Part Number	Quantity
Input Shaft	214S	1
Input Shaft Pilot	MA1205TV	1
Output Shaft Pilot	IR1816-SCH2216	1
Output Shaft Front	118L	1
Output Shaft Rear	83B043C3	1
Countershaft Front	JLM104948-JLM104910	3
Countershaft Rear	LM501349-LM501310	3
Rear Countershaft Front	LM501349-LM501310	3
Rear Countershaft Rear	3780-3720	3
Reverse Idler	JH1818	3
Countershaft Rear	IR1816	1
Shift Rail	B1612	2
Input Shaft Seal	2822V (20599)	1
Output Shaft Seal	415983N (37330)	1
Shift Rail Seal	240731 (9815)	1
Snap Ring Set	SR214	1
Gasket Set	GT214	1
Washer Set	WK214	1
Shim Set	SH214	1
Small Parts Kit	SPK214	1

TRK-214MK1

Position	Part Number	Quantity
Input Shaft	214S	1
Input Shaft Pilot	MA1205TV	1
Output Shaft Pilot	IR1816-SCH2216	1
Output Shaft Front	118L	1
Output Shaft Rear	83B043C3	1
Countershaft Front	JLM104948-JLM104910	3
Countershaft Rear	LM501349-LM501310	3
Rear Countershaft Front	LM501349-LM501310	3
Rear Countershaft Rear	3780-3720	3
Reverse Idler	JH1818	3
Countershaft Rear	IR1816	1
Shift Rail	B1612	2
Input Shaft Seal	2822V (20599)	1
Output Shaft Seal	415983N (37330)	1
Shift Rail Seal	240731 (9815)	1
Snap Ring Set	SR214	1
Gasket Set	GT214	1
Washer Set	WK214-1	1
Shim Set	SH214	1
Small Parts Kit	SPK214-1	1

TRK-219

Position	Part Number	Quantity
Input Shaft	7211HFL	1
Input Shaft Pilot	MU5206L	1
Output Shaft	7211HL	1
Countershaft Front	LM48548-LM48510	1
Countershaft Rear	LM102949-LM102910	1
Reverse Idler	WJ162116	2
1st Speed Gear	F93290	1
2nd Speed Gear	F95407	2
3rd Speed Gear	FW505520	2
4th Speed Gear	FW455017	2
Input Shaft Seal	39920	1
Input Shaft Seal	39930	1
Output Shaft Seal	415322V	1
Snap Ring Set	SR219	1
Gasket Set	GT210	1

TRK-221

Position	Part Number	Quantity
Input Shaft	7211HFL	1
Input Shaft Pilot	MU5206L	1
Output Shaft	7211HL	1
Countershaft Front	LM48548-LM48510	1
Countershaft Rear	2788A-2729	1
Reverse Idler	WJ162116	2
1st Speed Gear	F208323	1
2nd Speed Gear	F93290	2
3rd Speed Gear	F95407	1
4th Speed Gear	F209348	1
Input Shaft Seal	39920	1
Input Shaft Seal	39930	1
Output Shaft Seal	415322V	1
Snap Ring Set	SR220	1
Gasket Set	GT221	1

TRK-222

Position	Part Number	Quantity
Input Shaft	1213L	1
Input Shaft Pilot	MU5206L	1
Output Shaft Center	1213L	1
Output Shaft Rear	7211HL	1
Countershaft Front	2788A-2729	1
Countershaft Center	MB1212GEXR	1
Countershaft Rear	2788A-2729	1
Reverse Idler	WJ162116	2
1st Speed Gear	F208323	1
2nd Speed Gear	F208323	1
3rd Speed Gear	F208323	1
4th Speed Gear	FW657020	1
4th Speed Gear	FW657030	1
4th/5th Shift Hub	FWH556320	2
6th Speed Gear	FW475325	2
Reverse Gear	F208323	2
Input Shaft Seal	39925	1
Output Shaft Seal	415322V	1
Snap Ring Set	SR221	1
Gasket Set	GT221	1

TRK-226

Position	Part Number	Quantity
Intermediate Shaft Front	2788-2720	1
Intermediate Shaft Rear	25877-25821	1
Output Shaft	MR1307EX	2
Reverse Shaft	MR1307EXW927	2
Shift Rod Seal	471570 (8702)	4
Output Shaft Seal	472015 (21164)	1
Gasket Set	GT226	1

TRK-390F

Position	Part Number	Quantity
Input Shaft	M802048-M802011	1
Input Shaft Pilot	QBR49845	14
Output Shaft	28580-28527RB	1
Countershaft Front	DD46386	1
Countershaft Rear	MU1309UGM	1
Reverse Idler	QA47838	52
Mainshaft Gear	QA48181A	112
4th & 5th Shift Hub Bearing	FA35688	1
4th & 5th Shift Hub Race	TR235383	1
Input Shaft Seal	473010N (16247)	1
Mainshaft Rear Seal	455322N (27292)	1
Mainshaft 4th Gear	F94488	1
Mainshaft 2nd, 3rd & Reverse Gear	F94490	3
Gasket Set	GT390FGH	1

Heavy Duty Transmission Rebuild Kits

TRK-390G

Position	Part Number	Quantity
Input Shaft	M802048-M802011	1
Input Shaft Pilot	QBR49845	14
Output Shaft	25584-25547RB	1
Countershaft Front	DD46386	1
Countershaft Rear	MU1309UGM	1
Reverse Idler	QA47838	52
Mainshaft Gear	QA48181A	112
4th & 5th Shift Hub Bearing	FA35688	1
4th & 5th Shift Hub Race	TR235383	1
Input Shaft Seal (with 1.625" Shaft)	473010N (16247)	1
Driveshaft Rear Seal (w/ 1.875" Shaft)	482041N (18555)	1
Mainshaft Rear Seal (w/ 2.750" Shaft)	485364N (27272)	1
Mainshaft Rear Seal (w/ 2.500" Shaft)	410519 (24911)	1
Mainshaft 4th Gear	F94488	1
Mainshaft 2nd, 3rd & Reverse Gear	F94490	3
Gasket Set	GT390FGH	1

TRK-390H

Position	Part Number	Quantity
Input Shaft	M804049-M804010	1
Input Shaft Pilot	QBR49845	14
Output Shaft	28580-28527RB	1
Countershaft Front	DD46386	1
Countershaft Rear	MU1309UGM	1
Reverse Idler	QA47838	52
Mainshaft Gear	QA48181A	112
4th & 5th Shift Hub Bearing	FA35688	1
4th & 5th Shift Hub Race	TR235383	1
Input Shaft Seal	482041N (18555)	1
Output Shaft Seal (GMC)	485364N (27272)	1
Output Shaft Seal (L.H.)	411143N (26110)	1
Mainshaft 4th Gear	F94488	1
Mainshaft 2nd, 3rd & Reverse Gear	F94490	3
Gasket Set	GT390FGH	1

TRK-390FGH

Position	Part Number	Quantity
Input Shaft	M804049-M804010	1
Input Shaft	M802048-M802011	1
Input Shaft Pilot	QBR49845	14
Output Shaft	28580-28527RB	1
Output Shaft	25584-25547RB	1
Countershaft Front	DD46386	1
Countershaft Rear	MU1309UGM	1
Reverse Idler	QA47838	52
Mainshaft Gear	QA48181A	112
4th & 5th Shift Hub Bearing	FA35688	1
4th & 5th Shift Hub Race	TR235383	1
Mainshaft 2nd, 3rd & Reverse Gear	F94490	3
Mainshaft 4th Gear	F94488	1
Input Shaft Seal	482041N (18555)	1
Input Shaft Seal	473010N (16247)	1
Output Shaft Seal	410519 (24911)	1
Output Shaft Seal (GMC)	485364N (27272)	1
Output Shaft Seal (L.H.)	411143N (26110)	1
Output Shaft Seal	455322N (27292)	1
Gasket Set	GT390FGH	1

TRK-395F

Position	Part Number	Quantity
Input Shaft	M802048-M802011	1
Input Shaft Pilot	QBR49845	14
Output Shaft	28580-28527RB	1
Countershaft Front & Rear	25590-25520	2
4th & 5th Shift Hub Bearing	FA35688	1
4th & 5th Shift Hub Race	TR235383	1
Mainshaft 1st Gear	QA48181A	112
Mainshaft 2nd, 3rd & Reverse Gear	F94490	3
Mainshaft 4th Gear	F94488	1
Reverse Idler	QA47838	52
Input Shaft Seal	473010N (16247)	1
Output Shaft Seal	455322N (27292)	1
Gasket Set	GT390FGH	1

TRK-395G

Position	Part Number	Quantity
Input Shaft	M802048-M802011	1
Input Shaft Pilot	QBR49845	14
Output Shaft	25584-25547RB	1
Countershaft Front & Rear	25590-25520	2
4th & 5th Shift Hub Bearing	FA35688	1
4th & 5th Shift Hub Race	TR235383	1
Mainshaft 1st Gear	QA48181A	112
Mainshaft 2nd, 3rd & Reverse Gear	F94490	3
Mainshaft 4th Gear	F94488	1
Reverse Idler	QA47838	52
Input Shaft Seal	473010N (16247)	1
Output Shaft Seal	712512	1
Gasket Set	GT390FGH	1

TRK-395H

Position	Part Number	Quantity
Input Shaft	M804049-M804010	1
Input Shaft Pilot	QBR49845	14
Output Shaft	28580-28527RB	1
Countershaft Front & Rear	25590-25520	2
4th & 5th Shift Hub Bearing	FA35688	1
4th & 5th Shift Hub Race	TR235383	1
Mainshaft 1st Gear	QA48181A	112
Mainshaft 2nd, 3rd & Reverse Gear	F94490	3
Mainshaft 4th Gear	F94488	1
Reverse Idler	QA47838	52
Input Shaft Seal	482041N (18555)	1
Output Shaft Seal	411143N (26110)	1
Output Shaft Seal	455322N (27292)	1
Gasket Set	GT390FGH	1

TRK-395FGH

Position	Part Number	Quantity
Input Shaft	M802048-M802011	1
Input Shaft	M804049-M804010	1
Input Shaft Pilot	QBR49845	14
Output Shaft	28580-28527RB	1
Output Shaft	25584-25547RB	1
Countershaft Front & Rear	25590-25520	2
4th & 5th Shift Hub Bearing	FA35688	1
4th & 5th Shift Hub Race	TR235383	1
Mainshaft 1st Gear	QA48181A	112
Mainshaft 2nd, 3rd & Reverse Gear	F94490	3
Mainshaft 4th Gear	F94488	1
Reverse Idler	QA47838	52
Input Shaft Seal	473101 (16247)	1
Input Shaft Seal	482041N (18555)	1
Output Shaft Seal	455322N (27292)	1
Output Shaft Seal	712512	1
Output Shaft Seal	411143N (26110)	1
Gasket Set	GT390FGH	1

TRK-400

Position	Part Number	Quantity
Input Shaft	1212S	1
Input Shaft Rear	4304600	1
Input Shaft Seal	308	1
Auxiliary Mainshaft Front	4304600	1
Auxiliary Mainshaft Rear	MU1308TM	1
Auxiliary Countershaft Front	4304601	1
Auxiliary Countershaft Rear	20920	1
Output Shaft Seal	20920	1
Gasket Set	K-1568	1

TRK-401

Position	Part Number	Quantity
Input Shaft	MU1214UMW3	1
Auxiliary Drive Gear	117L	1
Auxiliary Mainshaft Front	17406	1
Auxiliary Mainshaft Rear	29675 Assy 902A8 (A2892)	1
Auxiliary Countershaft Front	MU1309UV	2
Auxiliary Countershaft Rear	1311L	2
Input Shaft Seal (3.5" Shaft)	415027N (35083)	1
Input Shaft Seal (3.75" Shaft)	416339 (37533)	1
Output Shaft Oil Seal Kit	K-2256	1
Output Shaft Oil Seal Kit	K-2262	1
O-Ring Kit	K-1552	1
Gasket Kit	K-1479	1

Heavy Duty Transmission Rebuild Kits

TRK-500

Position	Part Number	Quantity
Clutch Release	2756T	1
Input Shaft	214SL	1
Input Shaft Pilot	MA1205EL	1
Main Drive Gear	214L	1
Main Drive Gear Pilot	MA1205EL	1
Output Shaft	214L	1
Compound Case Countershaft Front	308L	3
Compound Case Countershaft Rear	206	3
Countershaft Front	308L	3
Countershaft Rear	MA1209EL	3
Rear Countershaft	1208L	3
Reverse Idler	J361648	3
Shift Rail	SCE2014P	3
Input Shaft Seal	332134	1
Output Shaft Seal	415991N (34891)	1
Output Shaft Seal	410312N (21245)	1
Clutch Release Seal	343186 (12330)	4
Shift Rail Seal	7750 (7414)	2
Gasket Set	GT500	1

TRK-501

Position	Part Number	Quantity
Input Shaft	218L	1
Input Shaft Pilot	MA1305EL	1
Output Shaft	214L	1
Countershaft Front	308L	3
Countershaft Rear	MA1209EL	3
Rear Countershaft Rear	1208L	3
Reverse Idler	J361648	3
Shift Rail	SCE2014P	2
Input Shaft Seal	2822V (20599)	1
Output Shaft Seal	415991N (34891)	1
Clutch Release Seal	343186 (12330)	1
Shift Rail Seal	7750 (7414)	3
Snap Ring Set	SR501	1
O-Ring Set	OK501	1
Bushing	BS52	1
Gasket Set	GT501	1

TRK-502

Position	Part Number	Quantity
Input Shaft	218L	1
Input Shaft Pilot	SCE2014P	2
Countershaft Front	308L	3
Countershaft Rear	MAR5209-M5209EL	3
Rear Countershaft Front	MAR5209-M1209EL	3
Rear Countershaft Rear	1208L	3
Reverse Idler	J361648	3
Input Shaft Seal	2822V (20599)	1
Output Shaft Seal	332134	2
Clutch Release Seal	343186 (12330)	1
Shift Rail Seal	7750 (7414)	3
Snap Ring Set	SR502	1
O-Ring Set	OK502	1
Gasket Set	GT502	1

TRK-503

Position	Part Number	Quantity
Input Shaft	214L	1
Input Shaft Pilot	MA1205EL	1
Output Shaft	1213A	1
Countershaft Front	JLM104948-JLM104910	3
Countershaft Rear	LM501349-LM501310	3
Reverse Idler	JH1818	3
Clutch Release Shaft	B1612	2
Bushing	BS52	1
Input Shaft Seal	2822V (20599)	1
Output Shaft Seal	713750 (37332)	1
Snap Ring Set	SR503	1
O-Ring Set	OK503	1
Gasket Set	GT503	1

TRK-503MK

Position	Part Number	Quantity
Input Shaft	214L	1
Input Shaft Pilot	MA1205EL	1
Output Shaft	1213A	1
Countershaft Front	JLM104948-JLM104910	3
Countershaft Rear	LM501349-LM501310	3
Reverse Idler	JH1818	3
Clutch Release Shaft	B1612	2
Bushing	BS52	1
Input Shaft Seal	2822V (20599)	1
Output Shaft Seal	713750 (37332)	1
Snap Ring Set	SR503	1
O-Ring Set	OK503	1
Gasket Set	GT503	1
Washer Set	WK503	1
Small Parts Kit	SPK503	1
Shim Set	SH-503	1

TRK-504

Position	Part Number	Quantity
Input Shaft Front	H715341-H715311	1
Input Shaft Rear	H715341-H715311	1
Countershaft Front Bearing	H715341-H715311	1
Countershaft Rear Bearing	H715341-H715311	1
Countershaft High - Low Range	WJ485424	4
Front Driveshaft Front	458S-453	1
Front Driveshaft Rear	4559-4535	1
Rear Driveshaft Front	6461A-JH415610	1
Rear Driveshaft Rear	HM516449-HM516410	1
Rear Output Shaft Front	570-563	1
Rear Output Shaft Rear	570-563	1
Front Output Shaft Front	JH307749-JH307710	1
Front Output Shaft Rear	JH307749-JH307710	1

TRK-700

Position	Part Number	Quantity
Input Shaft	BS500262	1
Countershaft Front	25581-25520	2
Countershaft Rear	25590-25520	2
Auxiliary Countershaft Front	MR1307EX	2
Auxiliary Countershaft Rear	MR1309UV	2
Auxiliary Mainshaft	JLM710949C (90KA3)	1
Reverse Idler	K55X63X25A	2
Low Range	K73X79X20B	2
Input Shaft Seal	97-463-36-1X	1
Output Shaft Seal	37410	1
Snap Ring	201-381-1	1
Snap Ring	201-381-3	1
Snap Ring	201-381-5	1
Shim Kit	313667X	1
Gasket Set	312475-45X	1

TRK-702

Position	Part Number	Quantity
Input Shaft	MU1211GUM	1
Input Shaft Pilot	JH1416	1
Output Shaft	214LH	1
Countershaft Front	1311L	2
Countershaft Rear	MU1209UGMR	2
Reverse Idler	WJ162116	2
Input Shaft Seal	97-463-36-1X	1
Output Shaft Seal	714713 (39933)	1
Gasket Set	GT193	1

TRK-703

Position	Part Number	Quantity
Input Shaft Front	114	1
Input Shaft Rear	MU1215TV	1
Input Shaft Pilot	JH1812	1
Output Shaft	214LH	1
Countershaft Front	MU1311UGMR	2
Countershaft Rear	MR1309EAL	2
Input Shaft Seal	415281N (29870)	1
Output Shaft Seal	415035 (39934)	1
Shift Rod Seal	471570 (8702)	2
Gasket Set	GT158	1

TRK-704

Position	Part Number	Quantity
Input Shaft Front	114	1
Input Shaft Rear	MU1215TV	1
Input Shaft Pilot	JH1812	1
Output Shaft	214LH	1
Countershaft Front	MU1311UGMR	2
Countershaft Rear	MR1309EAL	2
Input Shaft Seal	415281N (29870)	1
Output Shaft Seal	415035 (39934)	1
Shift Rod Seal	471570 (8702)	2
Gasket Set	GT158	1

Heavy Duty Transmission Rebuild Kits

TRK-705

Position	Part Number	Quantity
Input Shaft	MR1211GEL	1
Input Shaft Pilot	MR1205EL	1
Mainshaft Rear	214LH	1
Output Shaft Front	MU1207TV	1
Output Shaft Rear	214LH	1
Countershaft Front	1311L	2
Countershaft Rear	WR61209EX	2
Auxiliary Countershaft Front	JLM104948-JLM104910	2
Auxiliary Countershaft Rear	JLM506849-JLM506810	2
Reverse Idler	WJ162116	4
Range Gear	F81205	1
Input Shaft Seal	412015V (21167)	1
Output Shaft Seal	455379V (37405)	1
Snap Ring Kit	SR705	1
Gasket Set	GT705	1

TRK-706

Position	Part Number	Quantity
Input Shaft Front	MU1211GUM	1
Input Shaft Pilot	JH1416	1
Output Shaft	214LH	1
Countershaft Front	MU1209UGMR	2
Countershaft Rear	MU1209UGMR	2
Reverse Idler	WJ162116	4
Input Shaft Seal	97-463-36-1X	1
Output Shaft Seal	455379V (37405)	1
Gasket Set	GT193	1

TRK-707

Position	Part Number	Quantity
Intermediate Shaft Front	2788-2720	1
Intermediate Shaft Rear	25877-25821	1
Output Shaft	23691-23620	2
Reverse Shaft	26883-26824	2
Shift Rod Seal	471570 (8702)	4
Output Shaft Seal	472015 (21164)	1
Gasket Set	GT226	1

TRK-708

Position	Part Number	Quantity
Intermediate Shaft Front	MR1308TV	1
Intermediate Shaft Rear	5306W	1
Output Shaft	23691-23620	2
Reverse Shaft	26883-26824	2
Shift Rod Seal	471570 (8702)	4
Output Shaft Seal	472015 (21164)	1
Gasket Set	GT226	1

TRK-709

Position	Part Number	Quantity
Intermediate Shaft Front	MR1308TV	1
Intermediate Shaft Rear	5306W	1
Output Shaft	MR1307EX	2
Reverse Shaft	MR1307EXW927	2
Shift Rod Seal	471570 (8702)	4
Output Shaft Seal	472015 (21164)	1
Gasket Set	GT226	1

TRK-1000

Position	Part Number	Quantity
Input Shaft	212SLV	1
Input Shaft Pilot	BS59	1
Auxiliary Drive Gear	117L	1
Auxiliary Mainshaft	390A Assy 902A2 (A3071)	1
Countershaft Front	MSN1211REX	2
Countershaft Rear	MU1308TV	2
Auxiliary Countershaft Front	MR1307EL	2
Auxiliary Countershaft Rear	1310L	2
Reverse Idler	HJ223020-IR18200H	2
Auxiliary Range Shaft Quill Front	204	1
Auxiliary Range Shaft Quill Rear	BS60	1
Auxiliary Output Shaft Seal	415983N (37330)	1
Auxiliary Drive Gear Brg Retainer Seal	452554N (14832)	1
Input Shaft Nut	CN1 (8997)	1
O-Ring Set	OK1000V	1
Snap Ring Set	SR1000	1
Gasket Set	GT200N	1

■ Models before 1973; use MR5208EL

TRK-1000AUX

Position	Part Number	Quantity
Auxiliary Mainshaft	390A Assy 902A2 (A3071)	1
Auxiliary Countershaft Front	MR1307EL	2
Auxiliary Countershaft Rear	1310L	2
Auxiliary Range Shaft Quill Front	204	1
Auxiliary Range Shaft Quill Rear	BS60	1
Auxiliary Output Shaft Seal	415983N (37330)	1
O-Ring Set	OK1000V	1
Snap Ring Set	SR1000	1
Gasket Set	GT200N	1

■ Models before 1973; use MR5208EL

TRK-1554

Position	Part Number	Quantity
Auxiliary Mainshaft	29675 Assy 902A8 (A2892)	1
Auxiliary Countershaft Front	MU61307GUM	2
Auxiliary Countershaft Rear	1310SLV	2
Auxiliary Range Shaft Quill Front	204	1
Auxiliary Range Shaft Quill Rear	BS60	1
Oil Seal Kit	K-2256	1
O-Ring Set	K-1447	1
O-Ring	OR-217V	1
O-Ring	OR-221V	1
Snap Ring Set	SR1000AUX	1
Key Assembly	A3697	1
Spring	14897	3
Insert Valve	19974	1
Connector	85002	1
Gasket Set	K-1603	1
Threadlocker	TL1	1

TRK-1555

Position	Part Number	Quantity
Auxiliary Mainshaft	390A Assy 902A2 (A3071)	1
Auxiliary Countershaft Front	MR1307EL	2
Auxiliary Countershaft Rear	1310L	2
Auxiliary Range Shaft Quill Front	204	1
Auxiliary Range Shaft Quill Rear	BS60	1
Oil Seal Kit	K-2256	1
O-Ring Set	K-1447	1
O-Ring	OR-217V	1
O-Ring	OR-221V	1
Snap Ring Set	SR1000AUX	1
Key Assembly	A3697	1
Spring	14897	3
Insert Valve	19974	1
Connector	85002	1
Gasket Set	K-1603	1
Threadlocker	TL1	1

■ Models before 1973; use MR5208EL

TRK-1766

Position	Part Number	Quantity
Input Shaft	MSN1212REXW619	1
Input Shaft Pilot	20702	1
Output Shaft	MSN1212REXW619	1
Countershaft Front	MSN1309REXW619	1
Countershaft Rear	MU1309UV	1
1st, 2nd, 3rd & Reverse Gear	808840	4
4th Gear	687430	1
5th Gear	F206252	1
Reverse Idler	F11739	2
Detent Shaft	20770	1
Pin	20772	1
Spring	8774	1
Input Shaft Seal	470625V (14940)	1
Output Shaft Seal	415004V (27365)	1
Shift Rail Seal	472311V	2
O-Ring	OR-123	1
Gasket Set	K-1955	1

TRK-1850

Position	Part Number	Quantity
Input Shaft	MU1209UGMR	1
Input Shaft Pilot	BS61	1
Auxiliary Drive Gear	117L	1
Auxiliary Mainshaft Front	MU1307V	1
Auxiliary Mainshaft Rear	212SLV	1
Countershaft Front	MU1207UGV	2
Countershaft Rear	MU1306UGV	2
Reverse Idler	WJ162116	2
Auxiliary Countershaft Front	MR1206RUGV	2
Auxiliary Countershaft Rear	MR1308TV	2
Spring	14897	3
Oil Seal	20920	1
Oil Seal	15095	1
O-Ring	OK15092	1
O-Ring	OK15093	1
Snap Ring Set	SR145A	1
Lock Washer	15748	1
Gasket Kit	K-1931	1

Heavy Duty Transmission Rebuild Kits

TRK-1851

Position	Part Number	Quantity
Input Shaft	MU1209UGMR	1
Input Shaft Pilot	BS61	1
Auxiliary Drive Gear	117L	1
Auxiliary Mainshaft	390A Assy 902A2 (A3071)	1
Countershaft Front	MU1207UGV	2
Countershaft Rear	MU1306UGV	2
Reverse Idler	WJ162116	2
Auxiliary Countershaft Front	MU1306UV	2
Auxiliary Countershaft Rear	1310L	2
Spring	14897	3
Insert Valve	19974	1
Oil Seal Kit	K-2256	1
O-Ring Kit	K-1447	1
Snap Ring Set	SR146	1
Lock Washer	15748	1
Gasket Kit	K-2110	1

TRK-1852

Position	Part Number	Quantity
Input Shaft	212SLV	1
Input Shaft Pilot	BS59	1
Output Shaft Front	5566507	1
Output Shaft Rear	213	1
Countershaft Front	MSN1211REX	2
Countershaft Rear	MU1308TV	2
Reverse Idler	HJ223020-IR18200H	2
Input Shaft Nut	14754	1
Oil Seal	20920	1
Snap Ring Set	SR1852	1
Snap Ring	15011	1
Gasket Kit	K-1782	1

TRK-1855

Position	Part Number	Quantity
Input Shaft	212SLV	1
Input Shaft Pilot	BS59	1
Auxiliary Drive Gear	117L	1
Auxiliary Mainshaft	390A Assy 902A2 (A3071)	1
Countershaft Front	MSN1211REX	2
Countershaft Rear	MU1308TV	2
Reverse Idler	HJ223020-IR18200H	2
Auxiliary Countershaft Front	M1307EL	2
Auxiliary Countershaft Rear	1310L	2
Auxiliary Range Shaft Quill Front	204	1
Auxiliary Range Shaft Quill Rear	BS60	1
Spring	14897	3
Insert Valve	19974	1
Oil Seal Kit	K-2256	1
O-Ring Kit	K-1447	1
Snap Ring Set	SR1855	1
Gasket Kit	K-2199	1

TRK-1857

Position	Part Number	Quantity
Input Shaft	212SLV	1
Input Shaft Pilot	BS59	1
Output Shaft	390A Assy 902A2 (A3071)	1
Countershaft Front	MSN1211REX	2
Countershaft Rear	MU1309UV	2
Reverse Idler	HJ223020-IR18200H	2
Oil Seal Kit	K-2256	1
Snap Ring Set	SR1857	1
Gasket Kit	K-2199	1

TRK-1858

Position	Part Number	Quantity
Input Shaft	212SLV	1
Input Shaft Pilot	BS59	1
Auxiliary Drive Gear	5566507	1
Auxiliary Mainshaft	390A Assy 902A2 (A3071)	1
Countershaft Front	MSN1211REX	2
Countershaft Rear	MU1308TV	2
Reverse Idler	HJ223020-IR18200H	2
Auxiliary Countershaft Front	MR1307EL	2
Auxiliary Countershaft Rear	1310L	2
Spring	14897	3
Oil Seal Kit	K-2256	1
O-Ring Kit	K-1450	1
Snap Ring Set	SR179	1
Gasket Kit	K-2199	1

TRK-1859

Position	Part Number	Quantity
Input Shaft	212SLV	1
Input Shaft Pilot	BS59	1
Auxiliary Drive Gear	117L	1
Auxiliary Mainshaft	29675 Assy 902A8 (A2892)	1
Countershaft Front	MSN1211REX	2
Countershaft Rear	MU1308TV	2
Reverse Idler	HJ223020-IR18200H	2
Auxiliary Countershaft Front	MR1307EL	2
Auxiliary Countershaft Rear	1311L	2
Input Shaft Nut	CN1 (8997)	1
Spring	14897	3
Oil Seal Kit	K-2256	1
O-Ring Kit	K-1450	1
Snap Ring Set	SR188	1
Gasket Kit	K-2199	1

TRK-1860

Position	Part Number	Quantity
Input Shaft	212SLV	1
Input Shaft Pilot	BS59	1
Auxiliary Drive Gear	117L	1
Auxiliary Mainshaft	29675 Assy 902A8 (A2892)	1
Countershaft Front	MSN1211REX	2
Countershaft Rear	MU1308TV	2
Reverse Idler	HJ223020-IR18200H	2
Auxiliary Countershaft Front	MR1307EL	2
Auxiliary Countershaft Rear	5310WL	2
Auxiliary Range Shaft Quill Front	204	1
Auxiliary Range Shaft Quill Rear	BS60	1
Spring	14897	3
Oil Seal Kit	K-2256	1
O-Ring Kit	K-1447	1
Snap Ring Set	SR1860	1
Gasket Kit	K-2199	1

TRK-1861

Position	Part Number	Quantity
Input Shaft	212SLV	1
Input Shaft Pilot	BS59	1
Auxiliary Drive Gear	5566507	1
Auxiliary Mainshaft	29675 Assy 902A8 (A2892)	1
Countershaft Front	MSN1211REX	2
Countershaft Rear	MU1308TV	2
Reverse Idler	HJ223020-IR18200H	2
Auxiliary Countershaft Front	MR1307EL	2
Auxiliary Countershaft Rear	1311L	2
Spring	14897	3
Oil Seal Kit	K-2256	1
O-Ring Kit	K-1450	1
Snap Ring Set	SR160	1
Gasket Kit	K-2199	1

TRK-1862

Position	Part Number	Quantity
Input Shaft	212SLV	1
Input Shaft Pilot	BS59	1
Auxiliary Drive Gear	5566507	1
Auxiliary Mainshaft	29675 Assy 902A8 (A2892)	1
Countershaft Front	MSN1211REX	2
Countershaft Rear	MU1308TV	2
Reverse Idler	HJ223020-IR18200H	2
Auxiliary Countershaft Front	MU61307GUM	2
Auxiliary Countershaft Rear	1310SLV	2
Auxiliary Range Shaft Quill Front	204	1
Auxiliary Range Shaft Quill Rear	BS60	1
Spring	14897	3
Insert Valve	19974	1
Oil Seal Kit	K-2256	1
O-Ring Kit	K-1447	1
O-Ring Kit	OK17453	1
Snap Ring Set	SR159	1
Gasket Kit	K-2199	1
Threadlocker	TL1	1

Heavy Duty Transmission Rebuild Kits

TRK-1863

Position	Part Number	Quantity
Input Shaft	212SLV	1
Input Shaft Pilot	BS59	1
Auxiliary Drive Gear	5566507	1
Auxiliary Mainshaft	29675 Assy 902A8 (A2892)	1
Countershaft Front	BS500192-S	2
Countershaft Rear	MU1308TV	2
Reverse Idler	HJ223020-IR18200H	2
Auxiliary Countershaft Front	MR1307EL	2
Auxiliary Countershaft Rear	5310WL	2
Auxiliary Range Shaft Quill Front	204	1
Auxiliary Range Shaft Quill Rear	BS60	1
Spring	14897	3
Oil Seal Kit	K-2256	1
O-Ring Kit	K-1447	1
Snap Ring Set	SR159	1
Gasket Kit	K-2199	1

TRK-1864

Position	Part Number	Quantity
Input Shaft	212SLV	1
Input Shaft Pilot	BS59	1
Output Shaft	390A Assy 902A2 (A3071)	1
Countershaft Front	1309L	2
Countershaft Rear	MU1309UV	2
Reverse Idler	HJ223020-IR18200H	2
Oil Seal Kit	K-2256	1
Snap Ring Set	SR1864	1
Gasket Kit	K-2199	1
Input Shaft Nut	8336	1

TRK-1866

Position	Part Number	Quantity
Input Shaft	212SLV	1
Input Shaft Pilot	BS59	1
Auxiliary Drive Gear	5566507	1
Auxiliary Mainshaft	29675 Assy 902A8 (A2892)	1
Countershaft Front	1309L	2
Countershaft Rear	MU1308TV	2
Reverse Idler	HJ223020-IR18200H	2
Auxiliary Countershaft Front	MR1307EL	2
Auxiliary Countershaft Rear	1311L	2
Spring	14897	3
Oil Seal Kit	K-2256	1
O-Ring Kit	K-1450	1
O-Ring Kit	OK17453	1
Snap Ring Set	SR1866	1
Gasket Kit	K-2199	1

TRK-1867

Position	Part Number	Quantity
Input Shaft	212SLV	1
Input Shaft Pilot	BS59	1
Auxiliary Drive Gear	5566507	1
Auxiliary Mainshaft	29675 Assy 902A8 (A2892)	1
Countershaft Front	1309L	2
Countershaft Rear	MU1308TV	2
Reverse Idler	HJ223020-IR18200H	2
Auxiliary Countershaft Front	MR1307EL	2
Auxiliary Countershaft Rear	5310WLB	2
Auxiliary Range Shaft Quill Front	204	1
Auxiliary Range Shaft Quill Rear	BS60	1
Spring	14897	3
Oil Seal Kit	K-2256	1
O-Ring Kit	K-1447	1
O-Ring Kit	OK17453	1
O-Ring	OR-217V	1
O-Ring	OR-221V	1
Snap Ring Set	SR202	1
Gasket Kit	K-2199	1

TRK-1870

Position	Part Number	Quantity
Input Shaft	212SLV	1
Input Shaft Pilot	BS59	1
Auxiliary Drive Gear	5566507	1
Auxiliary Mainshaft	29675 Assy 902A8 (A2892)	1
Countershaft Front	BS500192-S	2
Countershaft Rear	MU1308TV	2
Reverse Idler	HJ223020-IR18200H	2
Auxiliary Countershaft Front	MR1307EL	2
Auxiliary Countershaft Rear	1311L	2
Spring	14897	3
Oil Seal Kit	K-2256	1
O-Ring Kit	K-1450	1
O-Ring Kit	OK17453	1
Snap Ring Set	SR160	1
Gasket Kit	K-2199	1

TRK-1871

Position	Part Number	Quantity
Input Shaft	212SLV	1
Input Shaft Pilot	BS59	1
Auxiliary Drive Gear	5566507	1
Auxiliary Mainshaft	29675 Assy 902A8 (A2892)	1
Countershaft Front	BS500192-S	2
Countershaft Rear	MU1308TV	2
Reverse Idler	HJ223020-IR18200H	2
Auxiliary Countershaft Front	MU61307GUM	2
Auxiliary Countershaft Rear	1310SLV	2
Auxiliary Range Shaft Quill Front	204	1
Auxiliary Range Shaft Quill Rear	BS60	1
Spring	14897	3
Insert Valve	19974	1
Oil Seal Kit	K-2256	1
O-Ring Kit	K-1447	1
O-Ring Kit	OK17453	1
O-Ring	OR-217V	1
O-Ring	OR-221V	1
Snap Ring Set	SR159	1
Gasket Kit	K-2199	1
Threadlocker	TL1	1

TRK-1872

Position	Part Number	Quantity
Input Shaft	212SLV	1
Input Shaft Pilot	BS59	1
Auxiliary Drive Gear	5566507	1
Auxiliary Mainshaft	29675 Assy 902A8 (A2892)	1
Countershaft Front	BS500192-S	2
Countershaft Rear	MU1308TV	2
Reverse Idler	HJ223020-IR18200H	2
Auxiliary Countershaft Front	MR1307EL	2
Auxiliary Countershaft Rear	5310WLB	2
Auxiliary Range Shaft Quill Front	204	1
Auxiliary Range Shaft Quill Rear	BS60	1
Spring	14897	3
Insert Valve	19974	1
Oil Seal Kit	K-2256	1
O-Ring Kit	K-1447	1
O-Ring Kit	OK17453	1
O-Ring	OR-217V	1
O-Ring	OR-221V	1
Snap Ring Set	SR207	1
Gasket Kit	K-2199	1
Threadlocker	TL1	1

TRK-1873

Position	Part Number	Quantity
Input Shaft	212SLV	1
Input Shaft Pilot	BS59	1
Output Shaft Front	5566507	1
Output Shaft Rear	213	1
Countershaft Front	1309L	2
Countershaft Rear	MU1308TV	2
Reverse Idler	HJ223020-IR18200H	2
Oil Seal	20920	1
Snap Ring Set	SR1873	1
Input Shaft Nut	14754	1
Gasket Kit	K-1782	1

TRK-1874

Position	Part Number	Quantity
Input Shaft	212SLV	1
Input Shaft Pilot	BS59	1
Auxiliary Drive Gear	5566507	1
Auxiliary Mainshaft	29675 Assy 902A8 (A2892)	1
Countershaft Front	BS500192-S	2
Countershaft Rear	MU1308TV	2
Reverse Idler	HJ223020-IR18200H	2
Auxiliary Countershaft Front	MU61307GUM	2
Auxiliary Countershaft Rear	1310SLV	2
Auxiliary Range Shaft Quill Front	204	1
Auxiliary Range Shaft Quill Rear	BS60	1
Spring	14897	3
Insert Valve	19974	1
Oil Seal Kit	K-2256	1
Oil Seal	16977	1
O-Ring Kit	K-1447	1
O-Ring Kit	OK17453	1
O-Ring	OR-217V	1
O-Ring	OR-221V	1
Snap Ring Set	SR159	1
Gasket Kit	K-2199	1
Threadlocker	TL1	1

Heavy Duty Transmission Rebuild Kits

Heavy Duty Transmission Rebuild Kits

TRK-1875

Position	Part Number	Quantity
Input Shaft	212SLV	1
Input Shaft Pilot	BS59	1
Auxiliary Drive Gear	5566507	1
Auxiliary Mainshaft	29675 Assy 902A8 (A2892)	1
Auxiliary Mainshaft Front	BS500192-S	1
Auxiliary Mainshaft Rear	MU1308TV	1
Reverse Idler	HJ223020-IR18200H	2
Auxiliary Countershaft Front	MR1307EL	2
Auxiliary Countershaft Rear	5310WLB	2
Auxiliary Range Shaft Quill Front	204	1
Auxiliary Range Shaft Quill Rear	BS60	1
Spring	14897	3
Oil Seal Kit	K-2256	1
Oil Seal	16977	1
O-Ring Kit	K-1447	1
O-Ring Kit	OK17453	1
O-Ring	OR-217V	1
O-Ring	OR-221V	1
Snap Ring Set	SR207	1
Gasket Kit	K-2199	1

TRK-1876

Position	Part Number	Quantity
Input Shaft	MU1210RUMW772	1
Input Shaft Pilot	BS61	1
Auxiliary Drive Gear	117L	1
Auxiliary Mainshaft Front	MU1307V	1
Auxiliary Mainshaft Rear	212SLV	1
Reverse Idler	WJ162116	2
Countershaft Front	MU1307GUM	2
Countershaft Rear	MU1307GUM	2
Auxiliary Countershaft Front	MR1306RUGVW140	2
Auxiliary Countershaft Rear	MU1308UM	2
Spring	14897	3
Oil Seal	15095	1
Oil Seal	20920	1
Oil Seal	415991N (34891)	1
O-Ring Kit	OK15092	1
O-Ring Kit	OK15093	1
Snap Ring Set	SR1876	1
Gasket Kit	K-1931	1
Lock Screw Kit	K-2425	1

TRK-1877

Position	Part Number	Quantity
Input Shaft	212SLV	1
Input Shaft Pilot	BS59	1
Output Shaft	1212L	1
Countershaft Front	309MG5	2
Countershaft Rear	309MG5	2
Auxiliary Countershaft	MU1213UMW3	2
Reverse Idler	WJ162116	4
Oil Seal Kit	K-2256	1
Snap Ring Set	SR204	1
O-Ring	OK20128	1
Gasket Kit	K-1846	1

TRK-1878

Position	Part Number	Quantity
Input Shaft	212SLV	1
Input Shaft Pilot	BS59	1
Output Shaft	214LB	1
Countershaft Front	309MG5	2
Countershaft Rear	309MG5	2
Auxiliary Countershaft	MU1213UMW3	2
Reverse Idler	WJ162116	4
Oil Seal Kit	K-2256	1
Snap Ring Set	SR204	1
O-Ring	OK20128	1
Gasket Kit	K-1846	1

TRK-1993

Position	Part Number	Quantity
Auxiliary Mainshaft	29675 Assy 902A8 (A2892)	1
Auxiliary Countershaft Front	MU61307GUM	2
Auxiliary Countershaft Rear	1310SLV	2
Insert Valve	19974	1
Connector	85001	1
Spring	14897	3
Gasket Kit	K-1603	1
Oil Seal Kit	K-2262	1
O-Ring Kit	K-2002	1

TRK-2041

Position	Part Number	Quantity
Input Shaft	39590-39520	1
Mainshaft Pilot	31594	1
Output Shaft	45284-45220	1
Countershaft Front	25590-25522	1
Countershaft Rear	3782-3720	1
1st, 2nd & Reverse Gear	FW707620	6
3rd Gear	FW657020	2
4th Gear	FW556020	2
5th Gear	FW505520	2
Reverse Idler	FW404820	2
Countershaft Plug	3315679	1
Spring	3315765	4
Snap Ring	3313798	1
Snap Ring	3315686	1
Snap Ring	3315725	1
Input Shaft Seal	710211	1
Output Shaft Seal	475322N (27295)	1
Shim Kit	K-2183	1
Gasket Set	K-2181	1

TRK-2043

Position	Part Number	Quantity
Input Shaft	212SLV	1
Input Shaft Pilot	BS59	1
Auxiliary Drive Gear	5566507	1
Auxiliary Mainshaft	21356	1
Countershaft Front	BS500192-S	2
Countershaft Rear	MU1308TV	2
Reverse Idler	HJ223020-IR18200H	2
Auxiliary Countershaft Front	4302074	2
Auxiliary Countershaft Rear	4302074	2
Spring	14897	3
Insert Valve	19974	1
Oil Seal Kit	K-2262	1
O-Ring Kit	K-2054	1
Snap Ring Set	SR2043	1
Snap Ring Retainer	21320	1
Shim Kit	K-2805	1
Gasket Kit	K-2061	1

TRK-2045

Position	Part Number	Quantity
Input Shaft	212SLV	1
Input Shaft Pilot	BS59	1
Auxiliary Drive Gear	5566507	1
Auxiliary Mainshaft Bushing	AA1512-12	2
Auxiliary Mainshaft	21356	1
Countershaft Front	1309L	2
Countershaft Rear	MU1308TV	2
Reverse Idler	HJ223020-IR18200H	2
Auxiliary Countershaft Front	4302074	2
Auxiliary Countershaft Rear	4302074	2
Spring	14897	3
Insert Valve	19974	1
Oil Seal Kit	K-2262	1
O-Ring Kit	K-2054	1
Snap Ring Set	SR2045	1
Shim Kit	K-2805	1
Gasket Kit	K-2061	1

TRK-2047

Position	Part Number	Quantity
Input Shaft	MU1210RUMW772	1
Input Shaft Pilot	BS61	1
Auxiliary Drive Gear	117L	1
Auxiliary Mainshaft	390A Assy 902A2 (A3071)	1
Countershaft Front	MU1307GUM	2
Countershaft Rear	MU1307GUM	2
Reverse Idler	WJ162116	2
Auxiliary Countershaft Front	MR1306UVW745	2
Auxiliary Countershaft Rear	1310L	2
Range Shaft Quill Front	204	1
Range Shaft Quill Rear	BS60	1
Spring	14897	3
Insert Valve	19974	1
Oil Seal Kit	K-2256	1
O-Ring Kit	K-2002	1
Snap Ring Set	SR2047	1
Lock Screw Kit	K-2425	1
Gasket Kit	K-2110	1

Heavy Duty Transmission Rebuild Kits

TRK-2048

Position	Part Number	Quantity
Input Shaft	MU1209UGMR	1
Input Shaft Pilot	BS61	1
Mainshaft Rear	117L	1
Auxiliary Mainshaft Pilot	MU1307V	1
Auxiliary Mainshaft Rear	212SLV	1
Countershaft Front	MU1306UGV	2
Countershaft Rear	MU1306UGV	2
Reverse Idler	WJ162116	2
Auxiliary Countershaft Front	MR1206RUGV	2
Auxiliary Countershaft Rear	MR1308TV	2
Spring	14897	3
Oil Seal	20920	1
Oil Seal	15095	1
O-Ring	OK15092	1
O-Ring	OK15093	1
O-Ring	OR-016V	1
Snap Ring Set	SR2048	1
Lock Washer	15748	1
Silicone Lubricant	SL1	1
Gasket Kit	K-1931	1

TRK-2049

Position	Part Number	Quantity
Input Shaft	212SLV	1
Input Shaft Pilot	BS59	1
Auxiliary Drive Gear	5566507	1
Auxiliary Mainshaft	21355	1
Countershaft Front	BS500192-S	2
Countershaft Rear	MU1308TV	2
Reverse Idler	HJ223020-IR18200H	2
Auxiliary Countershaft Front	4302074	2
Auxiliary Countershaft Rear	4302074	2
Spring	14897	3
Oil Seal Kit	K-2262	1
O-Ring Kit	K-1450	1
Snap Ring Set	SR2049	1
Gasket Kit	K-2061	1

TRK-2120

Position	Part Number	Quantity
Input Shaft	M802048-M802011	1
Input Shaft Pilot	QBR49845	14
Output Shaft	25581-25520	1
Countershaft Front	25877-25821	1
Countershaft Rear	2689-2631	1
Auxiliary Mainshaft Front (Ford)	28580	1
Reverse Idler	QA48181A	56
Mainshaft 1st & 2nd Gear	F94490	2
Mainshaft 3rd & Reverse Gear	F84003	2
Mainshaft 4th Gear	F94488	1
4th & 5th Shift Hub Bearing	FA35688	1
4th & 5th Shift Hub Race	TR235383	1
Input Shaft Seal	473010N (16247)	1
Output Shaft Seal	471271 (24898)	1
Output Shaft Seal	712512	1
Threadlocker	TL1	1
Gasket Set	K-2143	1

TRK-2121

Position	Part Number	Quantity
Input Shaft	M802048-M802011	1
Input Shaft Pilot	QBR49845	14
Output Shaft	28580-28527RB	1
Countershaft Front & Rear	25590-25520	2
4th & 5th Shift Hub Bearing	FA35688	1
4th & 5th Shift Hub Race	TR235383	1
Mainshaft 1st Gear	QA48181A	112
Mainshaft 2nd, 3rd & Reverse Gear	F94490	3
Mainshaft 4th Gear	F94488	1
Reverse Idler	QA47838	52
Input Shaft Seal	473010N (16247)	1
Output Shaft Seal	475322N (27295)	1
Snap Ring	226331	1
Threadlocker	TL1	1
Gasket Set	K-2085	1

TRK-2122

Position	Part Number	Quantity
Input Shaft	M802048-M802011	1
Input Shaft Pilot	QBR49845	14
Output Shaft	25584-25547RB	1
Countershaft Front & Rear	25590-25520	2
4th & 5th Shift Hub Bearing	FA35688	1
4th & 5th Shift Hub Race	TR235383	1
Mainshaft 1st Gear	QA48181A	112
Mainshaft 2nd, 3rd & Reverse Gear	F94490	3
Mainshaft 4th Gear	F94488	1
Reverse Idler	QA47838	52
Input Shaft Seal	473010N (16247)	1
Output Shaft Seal	712512	1
Threadlocker	TL1	1
Gasket Set	K-2085	1

TRK-2123

Position	Part Number	Quantity
Input Shaft	M804049-M804010	1
Input Shaft Pilot	QBR49845	14
Output Shaft	28580A-28527RB	1
Countershaft Front & Rear	25590-25520	2
4th & 5th Shift Hub Bearing	FA35688	1
4th & 5th Shift Hub Race	TR235383	1
Mainshaft 1st Gear	QA48181A	112
Mainshaft 2nd, 3rd & Reverse Gear	F94490	3
Mainshaft 4th Gear	F94488	1
Reverse Idler	QA47838	52
Snap Ring	226331	1
Input Shaft Seal	4300204	1
Output Shaft Seal	710211	1
Output Shaft Seal	411143N (26110)	1
Output Shaft Seal	4300119	1
Threadlocker	TL1	1
Gasket Set	K-2085	1

TRK-2124

Position	Part Number	Quantity
Input Shaft	M802048-M802011	1
Input Shaft Pilot	QBR49845	14
Output Shaft	28580-28527RB	1
Countershaft Front	DD46386	1
Countershaft Rear	MU1309UGM	1
Reverse Idler	QA47838	52
Mainshaft Gear	QA48181A	112
4th & 5th Shift Hub Bearing	FA35688	1
4th & 5th Shift Hub Race	TR235383	1
Mainshaft 2nd, 3rd & Reverse Gear	F94490	3
Mainshaft 4th Gear	F94488	1
Input Shaft Seal	473010N (16247)	1
Output Shaft Seal	411143N (26110)	1
Output Shaft Seal	416664 (27264)	1
Output Shaft Seal	450519 (24910)	1
Output Shaft Seal	475322N (27295)	1
Threadlocker	TL1	1
Gasket Set	K-2085	1

TRK-2125

Position	Part Number	Quantity
Input Shaft	M804049-M804010	1
Input Shaft Pilot	QBR49845	14
Output Shaft	28580A-28527RB	1
Countershaft Front	DD46386	1
Countershaft Rear	MU1309UGM	1
Reverse Idler	QA47838	52
Mainshaft Gear	QA48181A	112
4th & 5th Shift Hub Bearing	FA35688	1
4th & 5th Shift Hub Race	TR235383	1
Mainshaft 2nd, 3rd & Reverse Gear	F94490	3
Mainshaft 4th Gear	F94488	1
Input Shaft Seal	482041N (18555)	1
Output Shaft Seal	411143N (26110)	1
Output Shaft Seal	4300119	1
Threadlocker	TL1	1
Gasket Set	K-2085	1

TRK-2126

Position	Part Number	Quantity
Input Shaft	M802048-M802011	1
Input Shaft Pilot	QBR49845	15
Output Shaft	25584-25547RB	1
Countershaft Front	DD46386	1
Countershaft Rear	MU1309UGM	1
Reverse Idler	QA47838	52
Mainshaft Gear	QA48181A	112
4th & 5th Shift Hub Bearing	FA35688	1
4th & 5th Shift Hub Race	TR235383	1
Mainshaft 2nd, 3rd & Reverse Gear	F94490	3
Mainshaft 4th Gear	F94488	1
Input Shaft Seal	473010N (16247)	1
Output Shaft Seal	416664 (27264)	1
Output Shaft Seal	450519 (24910)	1
Threadlocker	TL1	1
Gasket Set	K-2085	1

Heavy Duty Transmission Rebuild Kits

Heavy Duty Transmission Rebuild Kits

TRK-2127

Position	Part Number	Quantity
Input Shaft	N309L	1
Input Shaft Pilot	SRA5304	1
Output Shaft	N309L	1
Countershaft Front	M28161	1
Countershaft Rear	N309L	1
Reverse Idler	F54970	2
Input Shaft Seal	472164N (17387)	1
Output Shaft Seal	450519 (24910)	1
Output Shaft Seal	450316 (22446)	1
Output Shaft Seal	411143N (26110)	1
Output Shaft Seal	471271 (24898)	1
Gasket Set	K-2136	1

TRK-2128

Position	Part Number	Quantity
Input Shaft	M802048-M802011	1
Input Shaft Pilot	QBR49845	14
Output Shaft	25584-25547RB	1
Countershaft Front	M28161	1
Countershaft Rear	MU1309SGNV	1
Reverse Idler	J361644	2
4th & 5th Shift Hub Bearing	FA35688	1
4th & 5th Shift Hub Race	TR235383	1
Input Shaft Seal	473010N (16247)	1
Output Shaft Seal	450519 (24910)	1
Output Shaft Seal	482041N (18555)	1
Output Shaft Seal	411143N (26110)	1
Output Shaft Seal	471271 (24898)	1
Gasket Set	K-2138	1

TRK-2129

Position	Part Number	Quantity
Input Shaft	M804049-M804010	1
Input Shaft Pilot	QBR49845	14
Output Shaft	25581-25520	1
Countershaft Front	25877-25821	1
Countershaft Rear	2689-2631	1
4th & 5th Shift Hub Bearing	FA35688	1
4th & 5th Shift Hub Race	TR235383	1
Reverse Idler	QA48181A	56
Mainshaft 1st & 2nd Gear	F94490	2
Mainshaft 3rd & Reverse Gear	F84003	2
Mainshaft 4th Gear	F94488	1
Input Shaft Seal	710211	1
Output Shaft Seal	712512	1
Gasket Set	K2143	1
Threadlocker	TL1	1

TRK-2130

Position	Part Number	Quantity
Input Shaft	39590-39520	1
Input Shaft Pilot	31594	1
Output Shaft	45284-45220	1
Countershaft Front	25590-25522	1
Countershaft Rear	3782-3720	1
1st, 2nd, 3rd & Reverse Gear	F808840	4
4th Gear	F687430	1
5th Gear	F206252	1
Reverse Idler	F11739	2
Countershaft Plug	3315679	1
Spring	1064	4
Snap Ring	20712	1
Snap Ring	3313798	1
Snap Ring	3315686	1
Reverse Idler O-Ring	OR-123	1
Input Shaft Seal	22329	1
Input Shaft Seal	4300119	1
Output Shaft Seal	4300119	1
Shim Kit	K-2183	1
Gasket Set	K-2181	1

TRK-2131

Position	Part Number	Quantity
Input Shaft	39590-39520	1
Input Shaft Pilot	31594	1
Output Shaft	45284-45220	1
Countershaft Front	25590-25522	1
Countershaft Rear	3782-3720	1
1st & Reverse Gear	F707620	4
2nd Gear	F657020	2
3rd Gear	F556020	2
4th Gear	F505520	2
Reverse Idler	F404820	2
Countershaft Plug	3315679	1
Spring	3315765	4
Snap Ring	3313798	1
Snap Ring	3315686	1
Snap Ring	3315725	1
Input Shaft Seal	710211	1
Output Shaft Seal	475322N (27295)	1
Shim Kit	K-2183	1
Gasket Set	K-2181	1

TRK-2275

Position	Part Number	Quantity
Input Shaft	212SLV	1
Input Shaft Pilot	BS59	1
Auxiliary Drive Gear	5566507	1
Auxiliary Mainshaft	21356	1
Countershaft Front	BS500192-S	2
Countershaft Rear	MU1308TV	2
Reverse Idler	HJ223020-IR18200H	2
Auxiliary Countershaft Front	4302074	2
Auxiliary Countershaft Rear	4302074	2
Spring	14897	3
Oil Seal Kit	K-2262	1
O-Ring Kit	K-1450	1
Snap Ring Set	SR2049	1
Shim Kit	K-2805	1
Gasket Kit	K-2061	1

TRK-2277

Position	Part Number	Quantity
Input Shaft	212SLV	1
Input Shaft Pilot	BS59	1
Auxiliary Drive Gear	5566507	1
Auxiliary Mainshaft	21356	1
Countershaft Front	BS500192-S	2
Countershaft Rear	MU1308TV	2
Reverse Idler	HJ223020-IR18200H	2
Auxiliary Countershaft Front	4302074	2
Auxiliary Countershaft Rear	4302074	2
Spring	14897	3
Oil Seal Kit	K-2262	1
O-Ring Kit	K-1450	1
Snap Ring Set	SR2043	1
Snap Ring Retainer	21320	1
Shim Kit	K-2805	1
Gasket Kit	K-2061	1

TRK-2280

Position	Part Number	Quantity
Input Shaft	212SLV	1
Input Shaft Pilot	BS59	1
Auxiliary Drive Gear	5566507	1
Auxiliary Mainshaft	29675 Assy 902A8 (A2892)	1
Countershaft Front	BS500192-S	2
Countershaft Rear	MU1308TV	2
Reverse Idler	HJ223020-IR18200H	2
Range Shaft Quill Front	204	1
Range Shaft Quill Rear	BS60	1
Auxiliary Countershaft Front	4302074	2
Auxiliary Countershaft Rear	4302074	2
Spring	14897	3
Oil Seal Kit	K-2262	1
O-Ring Kit	K-1447	1
Snap Ring Set	SR2280	1
Shim Kit	K-2430	1
Gasket Kit	K-2199	1

TRK-2281

Position	Part Number	Quantity
Input Shaft	212SLV	1
Input Shaft Pilot	BS59	1
Auxiliary Drive Gear	118L	1
Auxiliary Mainshaft	390A Assy 902A2 (A3071)	1
Countershaft Front	BS500192-S	2
Countershaft Rear	MU1308TV	2
Reverse Idler	HJ223020-IR18200H	2
Range Shaft Quill Front	204	1
Range Shaft Quill Rear	BS60	1
Auxiliary Countershaft Front	4302074	2
Auxiliary Countershaft Rear	4302074	2
Spring	14897	3
Insert Valve	19974	1
Oil Seal Kit	K-2262	1
O-Ring Kit	K-1447	1
O-Ring Kit	OK1000V	1
O-Ring Kit	OK17453	1
Snap Ring Set	SR2281	1
Shim Kit	K-2430	1
Gasket Kit	K-2199	1

Heavy Duty Transmission Rebuild Kits

TRK-2282

Position	Part Number	Quantity
Input Shaft	212SLV	1
Input Shaft Pilot	BS59	1
Auxiliary Drive Gear	5566507	1
Auxiliary Mainshaft	390A Assy 902A2 (A3071)	1
Countershaft Front	BS500192-S	2
Countershaft Rear	MU1308TV	2
Reverse Idler	HJ223020-IR18200H	2
Auxiliary Countershaft Front	MR1307EL	2
Auxiliary Countershaft Rear	1310SLV	2
Spring	14897	3
Oil Seal Kit	K-2262	1
O-Ring Kit	K-1450	1
O-Ring Kit	OK17453	1
Snap Ring Set	SR179	1
Gasket Kit	K-2199	1

TRK-2283

Position	Part Number	Quantity
Input Shaft	212SLV	1
Input Shaft Pilot	BS59	1
Auxiliary Drive Gear	5566507	1
Auxiliary Mainshaft	390A Assy 902A2 (A3071)	1
Countershaft Front	BS500192-S	2
Countershaft Front Retainer	4304605	2
Countershaft Rear	MU1308TVWS	2
Reverse Idler	HJ223020-IR18200H	2
Range Shaft Quill Front	204	1
Range Shaft Quill Rear	BS60	1
Auxiliary Countershaft Front	MR1307EL	2
Auxiliary Countershaft Rear	1310L	2
Spring	14897	3
Insert Valve	19974	1
Oil Seal Kit	K-2256	1
O-Ring Kit	K-1447	1
O-Ring Kit	OK17453	1
O-Ring	OR-217V	1
O-Ring	OR-221V	1
Snap Ring Set	SR-159	1
Gasket Kit	K-2199	1

TRK-2284

Position	Part Number	Quantity
Input Shaft	212SLV	1
Input Shaft Pilot	BS59	1
Auxiliary Drive Gear	5566507	1
Auxiliary Mainshaft	21355	1
Countershaft Front	BS500192-S	2
Countershaft Rear	MU1308TVWS	2
Reverse Idler	HJ223020-IR18200H	2
Auxiliary Countershaft Front	4302074	2
Auxiliary Countershaft Rear	4302074	2
Spring	14897	3
Insert Valve	19974	1
Oil Seal Kit	K-2262	1
O-Ring Kit	K-2054	1
Snap Ring Set	SR2284	1
Snap Ring Retainer	21320	1
Shim Kit	K-2805	1
Gasket Kit	K-2061	1

TRK-2285

Position	Part Number	Quantity
Input Shaft	212SLV	1
Input Shaft Pilot	BS59	1
Auxiliary Drive Gear	5566508	1
Auxiliary Mainshaft	21355	1
Countershaft Front	BS500192-S	2
Countershaft Rear	MU1308TV	2
Reverse Idler	HJ223020-IR18200H	2
Auxiliary Countershaft Front	4302074	2
Auxiliary Countershaft Rear	4302074	2
Spring	14897	3
Insert Valve	19974	1
Oil Seal Kit	K-2262	1
O-Ring Kit	K-2804	1
Snap Ring Set	SR2285	1
Shim Kit	K-2805	1
Gasket Kit	K-2199	1

TRK-2286

Position	Part Number	Quantity
Input Shaft	212SLV	1
Input Shaft Pilot	BS59	1
Auxiliary Drive Gear	5566508	1
Auxiliary Mainshaft	21356	1
Countershaft Front	BS500192-S	2
Countershaft Rear	MU1308TV	2
Reverse Idler	HJ223020-IR18200H	2
Auxiliary Countershaft Front	4302074	2
Auxiliary Countershaft Rear	4302074	2
Spring	14897	3
Insert Valve	19974	1
Oil Seal Kit	K-2262	1
O-Ring Kit	K-2804	1
Snap Ring Set	SR2286	1
Shim Kit	K-2805	1
Gasket Kit	K-2199	1

TRK-2287

Position	Part Number	Quantity
Input Shaft	212SLV	1
Input Shaft Pilot	BS59	1
Auxiliary Drive Gear	5566508	1
Auxiliary Mainshaft	21356	1
Countershaft Front	BS500192-S	2
Countershaft Rear	MU1308TV	2
Reverse Idler	HJ223020-IR18200H	2
Auxiliary Countershaft Front	NP656227-NP896049	2
Auxiliary Countershaft Rear	NP656227-NP896049	2
Spring	14897	3
Insert Valve	19974	1
Oil Seal Kit	K-2262	1
O-Ring Kit	K-2804	1
Snap Ring Set	SR2285	1
Shim Kit	K-2805	1
Gasket Kit	K-2199	1

TRK-2288

Position	Part Number	Quantity
Input Shaft	212SLV	1
Input Shaft Pilot	BS59	1
Auxiliary Drive Gear	5566508	1
Auxiliary Mainshaft	21356	1
Splitter Gear	4300902	1
Countershaft Front	BS500192-S	2
Countershaft Rear	MU1308TVWS	2
Reverse Idler	HJ223020-IR18200H	2
Auxiliary Countershaft Front	NP656227-NP896049	2
Auxiliary Countershaft Rear	NP656227-NP896049	2
Spring	14897	3
Insert Valve	19974	1
Oil Seal Kit	K-2262	1
O-Ring Kit	K-2804	1
Snap Ring Set	SR2285	1
Snap Ring	4303424	1
Shim Kit	K-2805	1
Gasket Kit	K-2199	1

TRK-2289

Position	Part Number	Quantity
Insert Valve	19974	1
Oil Seal Kit	K-2262	1
O-Ring Kit	K-1447	1
O-Ring	OR-217V	1
O-Ring	OR-221V	1
Gasket Kit	K-1603	1
Connector	85002	1
Shim Kit	K-2805	1
Key Assembly	A3697	1
Snap Ring Set	SR1000AUX	1
Threadlocker	TL1	1

TRK-2264

Position	Part Number	Quantity
Input Shaft	39590-39520	1
Input Shaft Pilot	31594	1
Output Shaft	39585-39520	1
Countershaft Front	25590-25522	1
Countershaft Rear	3782-3720	1
1st, 2nd, 3rd & Reverse Gear	FW808840	4
4th Gear	FW687430	1
5th Gear	FW505520	2
Reverse Idler	F11739	2
Countershaft Plug	3315679	1
Input Shaft Seal	19110	1
Output Shaft Seal	K-2256	1
Threadlocker	TL1	1
Shim Kit	K-2183	1
Gasket Set	K-2465	1

Heavy Duty Transmission Rebuild Kits

TRK-2490

Position	Part Number	Quantity
Input Shaft	39590-39520	1
Input Shaft Pilot	31594	1
Output Shaft	39585-39520	1
Countershaft Front	25590-25522	1
Countershaft Rear	3782-3720	1
1st, 2nd, 3rd & Reverse Gear	FW808840	4
4th Gear	FW687430	1
5th Gear	F206252	1
Reverse Idler	F11739	2
Countershaft Plug	3315679	1
Spring	1064	4
Snap Ring	17399	1
Snap Ring	20712	1
Snap Ring	22328	1
Snap Ring	22360	1
Snap Ring	3315686	1
Input Shaft Seal	22329	1
Output Shaft Seal Kit	K-2256	1
Threadlocker	TL1	1
Shim Kit	K-2183	1
Gasket Set	K-2465	1

TRK-2759

Position	Part Number	Quantity
Auxiliary Mainshaft	21356	1
Auxiliary Countershaft Front	4302074	2
Auxiliary Countershaft Rear	4302074	2
Spring	14897	3
Insert Valve	19974	1
Oil Seal Kit	K-2262	1
O-Ring Kit	K-2804	1
Gasket Kit	K-1603	1
Connector	85003	1
Shim Kit	K-2805	1

TRK-2768

Position	Part Number	Quantity
Auxiliary Mainshaft	21355	1
Auxiliary Countershaft Front	4302074	2
Auxiliary Countershaft Rear	4302074	2
Insert Valve	19974	1
Connector	85003	1
Spring	14897	3
Gasket Kit	K-1603	1
Oil Seal Kit	K-2262	1
O-Ring Kit	K-2804	1
Shim Kit	K-2805	1

TRK-2769

Position	Part Number	Quantity
Auxiliary Mainshaft	21356	1
Auxiliary Countershaft Front	NP896049-NP656227	2
Auxiliary Countershaft Rear	NP896049-NP656227	2
Spring	14897	3
Insert Valve	19974	1
Oil Seal Kit	K-2262	1
O-Ring Kit	K-2804	1
Gasket Kit	K-1603	1
Connector	85003	1
Shim Kit	K-2805	1

TRK-2771

Position	Part Number	Quantity
Input Shaft	212SLV	1
Input Shaft Pilot	BS59	1
Output Shaft	214LB	1
Countershaft Front	309MG5	2
Countershaft Rear	309MG5	2
Auxiliary Countershaft	MU1213UMW3	2
Reverse Idler	WJ162116	4
Oil Seal Kit	K-2262	1
Snap Ring	14289	1
Snap Ring	15253	4
Snap Ring	16798	3
O-Ring	OK20128	2
Gasket Kit	K-1846	1

TRK-2772

Position	Part Number	Quantity
Input Shaft	212SLV	1
Input Shaft Pilot	BS59	1
Auxiliary Drive Gear	5566507	1
Auxiliary Mainshaft	390A Assy 902A2 (A3071)	1
Auxiliary Mainshaft Thrust	AXK5070	2
Countershaft Front	BS500192-S	2
Countershaft Rear	MU1308TV	2
Reverse Idler	HJ223020-IR18200H	2
Auxiliary Countershaft Front	4302074	2
Auxiliary Countershaft Rear	4302074	2
Spring	14897	3
Insert Valve	19974	1
Insert Valve	4300810	2
Oil Seal Kit	K-2262	1
O-Ring Kit	K-2298	1
O-Ring Kit	OK17453	1
Snap Ring Set	SR2772	1
Retainer Assembly	A6340	1
Shim Kit	K-2805	1
Gasket Kit	K-2295	1

TRK-2773

Position	Part Number	Quantity
Input Shaft	212SLV	1
Input Shaft Pilot	BS59	1
Auxiliary Drive Gear	5566507	1
Auxiliary Mainshaft	29675 Assy 902A8 (A2892)	1
Auxiliary Mainshaft Thrust	AXK5070	2
Countershaft Front	BS500192-S	2
Countershaft Rear	MU1308TV	2
Reverse Idler	HJ223020-IR18200H	2
Auxiliary Countershaft	4302074	4
Spring	14897	3
Insert Valve	19974	1
Insert Valve	4300810	2
Oil Seal Kit	K-2262	1
O-Ring Kit	K-2298	1
O-Ring Kit	OK17453	1
Snap Ring Set	SR2772	1
Retainer Assembly	A6340	1
Shim Kit	K-2805	1
Gasket Kit	K-2295	1

TRK-2774

Position	Part Number	Quantity
Input Shaft	212SLV	1
Input Shaft Pilot	BS59	1
Auxiliary Drive Gear	5566507	1
Auxiliary Mainshaft	29675 Assy 902A8 (A2892)	1
Auxiliary Mainshaft Thrust	AXK5070	2
Countershaft Front	BS500192-S	2
Countershaft Rear	MU1308TV	2
Reverse Idler	HJ223020-IR18200H	2
Auxiliary Countershaft Front	4302074	2
Auxiliary Countershaft Rear	4302074	2
Spring	14897	3
Insert Valve	19974	1
Insert Valve	4300810	2
Oil Seal Kit	K-2262	1
O-Ring Kit	K-2298	1
O-Ring Kit	OK17453	1
Snap Ring Set	SR2772	1
Retainer Assembly	A6340	1
Shim Kit	K-2805	1
Gasket Kit	K-2295	1

TRK-2778

Position	Part Number	Quantity
Input Shaft	212SLV	1
Input Shaft Pilot	BS59	1
Auxiliary Drive Gear	5566507	1
Auxiliary Mainshaft	29675 Assy 902A8 (A2892)	1
Countershaft Front	BS500192-S	2
Countershaft Rear	MU1308TVWS	2
Reverse Idler	HJ223020-IR18200H	2
Auxiliary Countershaft Front	MR1307EL	2
Auxiliary Countershaft Rear	MU1310RUMW3	2
Spring	14897	3
Oil Seal Kit	K-2262	1
O-Ring Kit	K-2802	1
O-Ring Kit	OK17453	1
Snap Ring Set	SR179	1
Gasket Kit	K-2172	1
Threadlocker	TL1	1

TRK-2780

Position	Part Number	Quantity
Input Shaft	212SLV	1
Input Shaft Pilot	BS59	1
Auxiliary Drive Gear	117L	1
Auxiliary Mainshaft	390A Assy 902A2 (A3071)	1
Countershaft Front	MSN1211REX	2
Countershaft Rear	MU1308TV	2
Reverse Idler	HJ223020-IR18200H	2
Auxiliary Countershaft Front	MR1307EL	2
Auxiliary Countershaft Rear	1310L	2
Auxiliary Range Shaft Quill Front	204	1
Auxiliary Range Shaft Quill Rear	BS60	1
Spring	14897	3
Insert Valve	19974	1
Oil Seal Kit	K-2256	1
O-Ring Kit	K-1447	1
Snap Ring Set	SR1000	1
Gasket Kit	K-2199	1

Heavy Duty Transmission Rebuild Kits

TRK-2847

Position	Part Number	Quantity
Input Shaft	212SLV	1
Input Shaft Pilot	BS59	1
Auxiliary Drive Gear	5566507	1
Auxiliary Mainshaft	21356	1
Countershaft Front	BS500192-S	2
Countershaft Rear	MU1308TV	2
Reverse Idler	HJ223020-IR18200H	2
Auxiliary Countershaft Front	4302074	2
Auxiliary Countershaft Rear	4302074	2
Spring	14897	3
Oil Seal Kit	K-2262	1
O-Ring Kit	K-2846	1
Snap Ring Set	SR2772	1
Snap Ring	21320	1
Shim Kit	K-2805	1
Gasket Kit	K-2061	1

TRK-2855

Position	Part Number	Quantity
Input Shaft	212SLV	1
Input Shaft Pilot	BS59	1
Auxiliary Drive Gear	5566507	1
Auxiliary Mainshaft	21356	1
Auxiliary Mainshaft Thrust	AA1512-12	2
Countershaft Front	1309L	2
Countershaft Rear	MU1308TV	2
Reverse Idler	HJ223020-IR18200H	2
Auxiliary Countershaft Front	4302074	2
Auxiliary Countershaft Rear	4302074	2
Spring	14897	3
Oil Seal Kit	K-2262	1
O-Ring Kit	K-2846	1
Snap Ring Set	SR2855	1
Snap Ring	21320	1
Shim Kit	K-2805	1
Gasket Kit	K-2061	1

TRK-2865

Position	Part Number	Quantity
Input Shaft	212SLV	1
Input Shaft Pilot	BS59	1
Auxiliary Drive Gear	5566508	1
Auxiliary Mainshaft	21356	1
Splitter Gear	4300902	1
Countershaft Front	BS500192-S	2
Countershaft Rear	BS500052V	2
Reverse Idler	HJ223020-IR18200H	2
Auxiliary Countershaft Front	NP656227-NP896049	2
Auxiliary Countershaft Rear	NP656227-NP896049	2
Spring	14897	3
Insert Valve	19974	1
Oil Seal Kit	K-2262	1
O-Ring Kit	K-2804	1
Snap Ring Set	SR2865	1
Snap Ring	4302434	2
Shim Kit	K-2805	1
Gasket Kit	K-2199	1

TRK-2902

Position	Part Number	Quantity
Input Shaft	MU1212RUMW3	1
Input Shaft Pilot	BS59	1
Auxiliary Drive Gear	5566507	1
Auxiliary Mainshaft	29675 Assy 902A8 (A2892)	1
Countershaft Front	BS500192-S	2
Countershaft Rear	MU1308TV	2
Reverse Idler	HJ223020-IR18200H	2
Auxiliary Countershaft Front	MR1307EL	2
Auxiliary Countershaft Rear	1311L	2
Spring	14897	3
Oil Seal Kit	K-2262	1
O-Ring Kit	K-2802	1
O-Ring Kit	OK17453	1
Snap Ring Set	SR160	1
Gasket Kit	K-2172	1

TRK-2904

Position	Part Number	Quantity
Input Shaft	MU1212RUMW3	1
Input Shaft Pilot	BS59	1
Auxiliary Drive Gear	5566507	1
Auxiliary Mainshaft	29675 Assy 902A8 (A2892)	1
Countershaft Front	BS500192-S	2
Countershaft Rear	MU1308TV	2
Reverse Idler	HJ223020-IR18200H	2
Auxiliary Countershaft Front	MR1307EL	2
Auxiliary Countershaft Rear	MU1310RUMW3	2
Spring	14897	3
Oil Seal Kit	K-2262	1
O-Ring Kit	K-2802	1
O-Ring Kit	OK17453	1
Snap Ring Set	SR179	1
Gasket Kit	K-2172	1

TRK-2924

Position	Part Number	Quantity
Input Shaft	MU1212RUMW3	1
Input Shaft Pilot	BS59	1
Auxiliary Drive Gear	5566507	1
Auxiliary Mainshaft	5556503	1
Countershaft Front	BS226539V	2
Countershaft Rear	BS226539V	2
Reverse Idler	HJ223020-IR18200H	2
Auxiliary Countershaft Front	4302074	2
Auxiliary Countershaft Rear	4302074	2
Spring	14897	3
Oil Seal Kit	K-2918	1
Snap Ring	17399	1
Snap Ring	4302082	2
Snap Ring	4303362	2
Shim Kit	K-2805	1
Piston Range Kit	K-2923	1
Gasket Kit	K-2921	1

TRK-2996

Position	Part Number	Quantity
Input Shaft	212SLV	1
Input Shaft Pilot	BS59	1
Auxiliary Drive Gear	5566507	1
Auxiliary Mainshaft	29675 Assy 902A8 (A2892)	1
Auxiliary Mainshaft Thrust	AXK5070	2
Countershaft Front	BS500192-S	2
Countershaft Rear	MU1308TVWS	2
Reverse Idler	HJ223020-IR18200H	2
Auxiliary Countershaft Front	4302074	2
Auxiliary Countershaft Rear	4302074	2
Spring	14897	3
Insert Valve	19974	1
Retainer Assembly	A6340	1
Oil Seal Kit	K-2262	1
O-Ring Kit	K-2002	1
O-Ring Kit	OK17453	1
Snap Ring Set	SR179	1
Shim Kit	K-2805	1
Gasket Kit	K-2199	1
Threadlocker	TL1	1

TRK-2997

Position	Part Number	Quantity
Input Shaft	212SLV	1
Input Shaft Pilot	BS59	1
Auxiliary Drive Gear	5566507	1
Auxiliary Mainshaft	29675 Assy 902A8 (A2892)	1
Auxiliary Mainshaft Thrust	AXK5070	2
Countershaft Front	BS500192-S	2
Countershaft Rear	MU1308TVWS	2
Reverse Idler	HJ223020-IR18200H	2
Auxiliary Countershaft Front	MU61307GUM	2
Auxiliary Countershaft Rear	1310SLV	2
Spring	14897	3
Insert Valve	19974	1
Retainer Assembly	A6340	1
Oil Seal Kit	K-2262	1
O-Ring Kit	K-2002	1
O-Ring Kit	OK17453	1
Snap Ring Set	SR179	1
Gasket Kit	K-2199	1
Threadlocker	TL1	1

Heavy Duty Transmission Rebuild Kits

Heavy Duty Transmission Rebuild Kits

TRK-2998

Position	Part Number	Quantity
Input Shaft	212SLV	1
Input Shaft Pilot	BS59	1
Auxiliary Drive Gear	5566507	1
Auxiliary Mainshaft	29675 Assy 902A8 (A2892)	1
Auxiliary Mainshaft Thrust	AXK5070	2
Countershaft Front	BS500192-S	2
Countershaft Rear	MU1308TV	2
Reverse Idler	HJ223020-IR18200H	2
Auxiliary Countershaft Front	MR1307EX	2
Auxiliary Countershaft Rear	1310SLV	2
Spring	14897	3
Insert Valve	19974	1
Insert Valve	4300810	2
Retainer Assembly	A6340	1
Oil Seal Kit	K-2262	1
O-Ring Kit	K-2298	1
O-Ring Kit	OK17453	1
Snap Ring Set	SR179	1
Gasket Kit	K-2295	1
Threadlocker	TL1	1

TRK-3132

Position	Part Number	Quantity
Input Shaft	MU1212RUMW3	1
Input Shaft Pilot	BS59	1
Auxiliary Drive Gear	5566507	1
Auxiliary Mainshaft	5556503	1
Countershaft Front	BS226539V	2
Countershaft Rear	BS226539V	2
Reverse Idler	HJ223020-IR18200H	2
Auxiliary Countershaft Front	4302074	2
Auxiliary Countershaft Rear	4302074	2
Spring	14897	3
Oil Seal Kit	K-2262	1
Snap Ring	17399	1
Snap Ring	4302082	2
Shim Kit	K-2805	1
Piston Range Kit	K-2923	1
Gasket Kit	K-2921	1

TRK-3233

Position	Part Number	Quantity
Input Shaft	MU1212RUMW3	1
Input Shaft Pilot	BS59	1
Auxiliary Drive Gear	5566508	1
Auxiliary Mainshaft	5556503	1
Countershaft Front	BS500192-S	2
Countershaft Rear	MU1308TVWS	2
Reverse Idler	HJ223020-IR18200H	2
Auxiliary Countershaft Front	4302074	2
Auxiliary Countershaft Rear	4302074	2
Spring	14897	3
Insert Valve	19974	1
O-Ring Kit	K-2054	1
Oil Seal Kit	K-2918	1
Snap Ring Set	SR3233	1
Shim Kit	K-2805	1
Gasket Kit	K-2061	1

TRK-3256

Position	Part Number	Quantity
Input Shaft	212SLV	1
Input Shaft Pilot	BS59	1
Auxiliary Drive Gear	5566507	1
Auxiliary Mainshaft	5556503	1
Auxiliary Mainshaft Thrust	AA1512-12	2
Countershaft Front	BS500192-S	2
Countershaft Rear	MU1308TVWS	2
Reverse Idler	HJ223020-IR18200H	2
Auxiliary Countershaft Front	4302074	2
Auxiliary Countershaft Rear	4302074	2
Spring	14897	3
Insert Valve	19974	1
O-Ring Kit	K-2054	1
Oil Seal Kit	K-2918	1
Snap Ring Set	SR3233	1
Shim Kit	K-2805	1
Gasket Kit	K-2061	1

TRK-3273

Position	Part Number	Quantity
Input Shaft	212SLV	1
Input Shaft Pilot	BS59	1
Auxiliary Drive Gear	5566507	1
Auxiliary Mainshaft	5556503	1
Auxiliary Mainshaft Thrust	AA1512-12	2
Countershaft Front	BS500192-S	2
Countershaft Rear	MU1308TVWS	2
Reverse Idler	HJ223020-IR18200H	2
Auxiliary Countershaft Front	4302074	2
Auxiliary Countershaft Rear	4302074	2
Spring	14897	3
Insert Valve	19974	1
O-Ring Kit	K-2054	1
Oil Seal Kit	K-2918	1
Snap Ring Set	SR3233	1
Shim Kit	K-2805	1
Gasket Kit	K-2061	1

TRK-3283

Position	Part Number	Quantity
Input Shaft	212SLV	1
Input Shaft Pilot	BS59	1
Auxiliary Drive Gear	5566507	1
Auxiliary Mainshaft	5556503	1
Auxiliary Mainshaft Thrust	AA1512-12	2
Countershaft Front	BS500192-S	2
Countershaft Rear	MU1308TV	2
Reverse Idler	HJ223020-IR18200H	2
Auxiliary Countershaft Front	4302074	2
Auxiliary Countershaft Rear	4302074	2
Spring	14897	3
Insert Valve	19974	1
O-Ring Kit	K-2846	1
Oil Seal Kit	K-2918	1
Snap Ring Set	SR3233	1
Shim Kit	K-2805	1
Gasket Kit	K-2061	1

TRK-3286

Position	Part Number	Quantity
Input Shaft	212SLV	1
Input Shaft Pilot	BS59	1
Auxiliary Drive Gear	5566508	1
Auxiliary Mainshaft	5556503	1
Splitter Gear	4300902	1
Countershaft Front	BS500192-S	2
Countershaft Rear	MU1308TMWS	2
Reverse Idler	HJ223020-IR18200H	2
Auxiliary Countershaft Front	4302074	2
Auxiliary Countershaft Rear	4302074	2
Spring	14897	3
Insert Valve	19974	1
O-Ring Kit	K-2804	1
Oil Seal Kit	K-2918	1
Snap Ring Set	SR2285	1
Shim Kit	K-2805	1
Gasket Kit	K-3288	1

TRK-3322

Position	Part Number	Quantity
Input Shaft	MU1212RUMW3	1
Input Shaft Pilot	BS59	1
Auxiliary Drive Gear	5566507	1
Auxiliary Mainshaft	21355	1
Countershaft Front	BS500192-S	2
Countershaft Rear	MU1308TV	2
Reverse Idler	HJ223020-IR18200H	2
Auxiliary Countershaft Front	4302074	2
Auxiliary Countershaft Rear	4302074	2
Spring	14897	3
O-Ring Kit	K-1450	1
Oil Seal Kit	K-2262	1
Snap Ring Set	SR2772	1
Shim Kit	K-2805	1
Gasket Kit	K-2061	1

TRK-3340

Position	Part Number	Quantity
Input Shaft	212SLV	1
Input Shaft Pilot	BS59	1
Auxiliary Drive Gear	5566510	1
Auxiliary Mainshaft	5556503	1
Splitter Gear	4300902	1
Countershaft Front	BS500192-S	2
Countershaft Rear	BS500052V	2
Reverse Idler	HJ223020-IR18200H	2
Auxiliary Countershaft Front	NP656227-NP896049	2
Auxiliary Countershaft Rear	NP656227-NP896049	2
Spring	14897	3
O-Ring Kit	K-3341	1
Oil Seal Kit	K-2918	1
Snap Ring Set	SR3340	1
Snap Ring	4302082	2
Snap Ring	4303424	1
Shim Kit	K-2805	1
Gasket Kit	K-3288	1

Heavy Duty Transmission Rebuild Kits

Heavy Duty Transmission Rebuild Kits

TRK-3343

Position	Part Number	Quantity
Input Shaft	212SLV	1
Input Shaft Pilot	BS59	1
Auxiliary Drive Gear	5566508	1
Auxiliary Mainshaft	5556503	1
Countershaft Front	BS500192-S	2
Countershaft Rear	BS500052V	2
Reverse Idler	HJ223020-IR18200H	2
Auxiliary Countershaft Front	4302074	2
Auxiliary Countershaft Rear	4302074	2
Spring	14897	3
Oil Seal Kit	K-2918	1
O-Ring Kit	K-3341	1
Snap Ring Set	SR3340	1
Snap Ring	4302082	2
Shim Kit	K-2805	1
Gasket Kit	K-3288	1

TRK-3344

Position	Part Number	Quantity
Auxiliary Mainshaft	21356	1
Auxiliary Countershaft Front	4302074	2
Auxiliary Countershaft Rear	4302074	2
Spring	14897	3
Insert Valve	19974	1
Oil Seal Kit	K-2262	1
O-Ring Kit	K-2804	1
Connector	85003	1
Shim Kit	K-2805	1
Gasket Kit	K-1603	1

TRK-3346

Position	Part Number	Quantity
Input Shaft	212SLV	1
Input Shaft Pilot	BS59	1
Auxiliary Drive Gear	5566508	1
Auxiliary Mainshaft	21356	1
Countershaft Front	BS500192-S	2
Countershaft Rear	MU1308TVWS	2
Reverse Idler	HJ223020-IR18200H	2
Auxiliary Countershaft Front	4302074	2
Auxiliary Countershaft Rear	4302074	2
Spring	14897	3
Insert Valve	19974	1
Oil Seal Kit	K-2262	1
O-Ring Kit	K-2804	1
Snap Ring Set	SR2285	1
Shim Kit	K-2805	1
Gasket Kit	K-2199	1

TRK-3348

Position	Part Number	Quantity
Input Shaft	212SLV	1
Input Shaft Pilot	BS59	1
Auxiliary Drive Gear	5566508	1
Auxiliary Mainshaft	5556503	1
Countershaft Front	BS500192-S	2
Countershaft Rear	MU1308TVWS	2
Reverse Idler	HJ223020-IR18200H	2
Auxiliary Countershaft Front	4302074	2
Auxiliary Countershaft Rear	4302074	2
Spring	14897	3
Oil Seal Kit	K-2918	1
O-Ring Kit	K-3341	1
Snap Ring Set	SR3348	1
Shim Kit	K-2805	1
Gasket Kit	K-3288	1

TRK-3351

Position	Part Number	Quantity
Input Shaft	212SLV	1
Input Shaft Pilot	BS59	1
Auxiliary Drive Gear	5566508	1
Auxiliary Mainshaft	5556503	1
Countershaft Front	BS500192-S	2
Countershaft Rear	MU1308TV	2
Reverse Idler	HJ223020-IR18200H	2
Auxiliary Countershaft Front	4302074	2
Auxiliary Countershaft Rear	4302074	2
Spring	14897	3
Oil Seal Kit	K-2918	1
O-Ring Kit	K-3341	1
Snap Ring Set	SR3348	1
Shim Kit	K-2805	1
Gasket Kit	K-3288	1

TRK-3355

Position	Part Number	Quantity
Input Shaft	212SLV	1
Input Shaft Pilot	BS59	1
Auxiliary Drive Gear	5566508	1
Auxiliary Mainshaft	5556503	1
Countershaft Front	BS500192-S	2
Countershaft Rear	MU1308TVWS	2
Reverse Idler	HJ223020-IR18200H	2
Auxiliary Countershaft Front	NP656227-NP896049	2
Auxiliary Countershaft Rear	NP656227-NP896049	2
Spring	14897	3
Oil Seal Kit	K-2918	1
O-Ring Kit	K-3341	1
Snap Ring Set	SR3348	1
Snap Ring	4303424	1
Shim Kit	K-2805	1
Gasket Kit	K-3288	1

TRK-3413

Position	Part Number	Quantity
Input Shaft	MU1212RUMW3	1
Input Shaft Pilot	BS59	1
Auxiliary Drive Gear	5566508	1
Auxiliary Mainshaft Bushing	AA1512-12	2
Auxiliary Mainshaft	5556503	1
Countershaft Front	BS500192-S	2
Countershaft Rear	MU1308TVWS	2
Reverse Idler	HJ223020-IR18200H	2
Auxiliary Countershaft Front	4302074	2
Auxiliary Countershaft Rear	4302074	2
Spring	14897	3
Insert Valve	19974	1
Oil Seal Kit	K-2918	1
O-Ring Kit	K-2846	1
Snap Ring	14317	2
Snap Ring	14750	1
Snap Ring	16763	1
Shim Kit	K-2805	1
Gasket Kit	K-2061	1

TRK-3423

Position	Part Number	Quantity
Input Shaft	39590-39520	1
Input Shaft Pilot	31594	1
Output Shaft	45285A-45220	1
Mainshaft 6th Gear	FW505520	2
Mainshaft 4th Gear	FW556020	2
Mainshaft 3rd Gear	FW657020	2
Mainshaft 2nd Gear	FW707620	2
Mainshaft 1st Gear	FW707620	2
Mainshaft Rev. Gear	4304555	1
Countershaft Front	25590-25522	1
Countershaft Rear	3782-3720	1
Reverse Idler	FW404820	2
Snap Ring	3315686	1
Snap Ring	3315725	2
Spring	3315765	4
Plug	3315679	1
Shim Kit	K-2183	1
Output Shaft Seal	475322-N (27295)	1
Input Shaft Seal	710211	1
Gasket Kit	K-7028	1

TRK-3426

Position	Part Number	Quantity
Input Shaft	212SLV	1
Input Shaft Pilot	BS59	1
Auxiliary Drive Gear	5566508	1
Auxiliary Mainshaft	5566503	1
Splitter Gear	4300902	1
Countershaft Front	BS500192-S	2
Countershaft Rear	BS500052V	2
Reverse Idler	HJ223020-IR18200H	2
Auxiliary Countershaft Front	4302074	2
Auxiliary Countershaft Rear	4302074	2
Spring	14897	3
Oil Seal Kit	K-2918	1
O-Ring Kit	K-3341	1
Snap Ring Set	SR2285	1
Snap Ring	4302082	1
Gasket Kit	K-3288	1
Shim Kit	K-2805	1

Heavy Duty Transmission Rebuild Kits

TRK-3460

Position	Part Number	Quantity
Input Shaft	212SLV	1
Input Shaft Pilot	BS59	1
Auxiliary Drive Gear	5566510	1
Auxiliary Mainshaft	5556503	1
Countershaft Front	BS500192-S	2
Countershaft Rear	BS500052V	2
Reverse Idler	HJ223020-IR18200H	2
Auxiliary Countershaft Front	NP656227-NP896049	2
Auxiliary Countershaft Rear	NP656227-NP896049	2
Spring	14897	3
Oil Seal Kit	K-2918	1
O-Ring Kit	K-3341	1
Snap Ring	14750	1
Snap Ring	16980	1
Snap Ring	4301254	1
Snap Ring	4302082	2
Shim Kit	K-2805	1
Gasket Kit	K-3458	1

TRK-3462

Position	Part Number	Quantity
Input Shaft	MU1212RUMW3	1
Input Shaft Pilot	BS59	1
Auxiliary Drive Gear	5566510	1
Auxiliary Mainshaft	5556503	1
Splitter Gear	4300902	1
Countershaft Front	BS500192-S	2
Countershaft Rear	BS500052V	2
Reverse Idler	HJ223020-IR18200H	2
Auxiliary Countershaft Front	NP656227-NP896049	2
Auxiliary Countershaft Rear	NP656227-NP896049	2
Spring	14897	3
Oil Seal Kit	K-2918	1
O-Ring Kit	K-3341	1
Snap Ring Kit	SR-3340	1
Snap Ring	4302082	1
Snap Ring	4303424	1
Shim Kit	K-2805	1
Gasket Kit	K-3458	1

TRK-3553

Position	Part Number	Quantity
Input Shaft	212SLV	1
Input Shaft Pilot	BS59	1
Auxiliary Drive Gear	5566507	1
Auxiliary Mainshaft	21356	1
Splitter Gear	4300902	1
Countershaft Front	BS500192-S	2
Countershaft Rear	MU1308TVWS	2
Reverse Idler	HJ223020-IR18200H	2
Auxiliary Countershaft Front	4302074	2
Auxiliary Countershaft Rear	4302074	2
Spring	14897	3
Insert Valve	19974	1
Insert Valve	4300810	2
Oil Seal Kit	K-2262	1
O-Ring Kit	K-2298	1
Snap Ring	14317	2
Snap Ring	14750	1
Snap Ring	16980	1
Snap Ring	4301254	1
Shim Kit	K-2805	1
Gasket Kit	K-3552	1

TRK-3586

Position	Part Number	Quantity
Input Shaft	212SLV	1
Input Shaft Pilot	BS59	1
Auxiliary Drive Gear	5566507	1
Auxiliary Mainshaft	29675 Assy 902A8 (A2892)	1
Auxiliary Mainshaft Thrust	AXK5070	2
Countershaft Front	BS500192-S	2
Countershaft Rear	MU1308TVWS	2
Reverse Idler	HJ223020-IR18200H	2
Auxiliary Countershaft Front	4302074	2
Auxiliary Countershaft Rear	4302074	2
Spring	14897	3
Oil Seal Kit	K-2262	1
O-Ring Kit	K-3583	1
O-Ring Kit	OK17453	1
Snap Ring	14317	2
Snap Ring	14750	1
Snap Ring	16763	2
Snap Ring	16980	1
Retainer Assembly	A6340	1
Shim Kit	K-2805	1
Gasket Kit	K-3584	1

TRK-3596

Position	Part Number	Quantity
Input Shaft	212SLV	1
Input Shaft Pilot	BS59	1
Auxiliary Drive Gear	5566508	1
Auxiliary Mainshaft	21356	1
Splitter Gear	4300902	1
Countershaft Front	BS500192-S	2
Countershaft Rear	MU1308TVWS	2
Reverse Idler	HJ223020-IR18200H	2
Auxiliary Countershaft Front	4302074	2
Auxiliary Countershaft Rear	4302074	2
Spring	14897	3
Oil Seal Kit	K-2262	1
O-Ring Kit	K-3594	1
Snap Ring	14317	2
Snap Ring	14750	1
Snap Ring	16980	1
Shim Kit	K-2805	1
Gasket Kit	K-3593	1

TRK-3598

Position	Part Number	Quantity
Input Shaft	212SLV	1
Input Shaft Pilot	BS59	1
Auxiliary Drive Gear	5566508	1
Auxiliary Mainshaft	5556503	1
Countershaft Front	BS500192-S	2
Countershaft Rear	BS500052V	2
Reverse Idler	HJ223020-IR18200H	2
Auxiliary Countershaft Front	4302074	2
Auxiliary Countershaft Rear	4302074	2
Spring	14897	3
Oil Seal Kit	K-2918	1
O-Ring Kit	K-3341	1
Snap Ring	14750	1
Snap Ring	16980	1
Snap Ring	4301254	1
Snap Ring	4302082	2
Shim Kit	K-2805	1
Gasket Kit	K-3458	1

TRK-3660

Position	Part Number	Quantity
Input Shaft	MU1212RUMW3	1
Input Shaft Pilot	BS59	1
Auxiliary Drive Gear	5566507	1
Auxiliary Mainshaft	21355	1
Countershaft Front	BS500192-S	2
Countershaft Front Retainer	4304605	2
Countershaft Rear	MU1308TVWS	2
Reverse Idler	HJ223020-IR18200H	2
Auxiliary Countershaft Front	4302074	2
Auxiliary Countershaft Rear	4302074	2
Spring	14897	3
Insert Valve	19974	1
Oil Seal Kit	K-2262	1
O-Ring Kit	K-2054	1
Snap Ring Set	SR-2284	1
Snap Ring Retainer	21320	1
Shim Kit	K-2805	1
Gasket Kit	K-2061	1

TRK-5356

Position	Part Number	Quantity
Input Shaft	212SLV	1
Input Shaft Pilot	1225A1171	1
Auxiliary Drive Gear	119L	1
Auxiliary Mainshaft	390A Assy 902B1	1
Countershaft Front	NP418109-NP525386	2
Countershaft Rear	NP449281-NP357215	2
Reverse Idler	A1228E1175	2
Auxiliary Countershaft Front	NP449281-NP357215	2
Auxiliary Countershaft Rear	3782-3720	2
Spring	225821144	3
Oil Seal Kit	KIT5389	1
O-Ring	1205T1268	3
O-Ring	OR-014V	1
O-Ring	OR-017V	1
O-Ring	OR-119	3
O-Ring	OR-316V	1
O-Ring	OR-334V	1
O-Ring	OR-340V	2
Lock Nut	NL17-1	1
Lock Nut	NL25-1	1
Lock Nut	NL110-1	2
Snap Ring Set	KIT5329	1
Spacer Kit	KIT5331	1
Shim Kit	KIT5364	1
Small Parts Kit	KIT5291	1
Gasket	2208K1051	1
Output Shaft Nut	1227T1554	1

Heavy Duty Transmission Rebuild Kits

Heavy Duty Transmission Rebuild Kits

TRK-5357

Position	Part Number	Quantity
Input Shaft	212SLV	1
Input Shaft Pilot	1225A1171	1
Auxiliary Drive Gear	119L	1
Auxiliary Mainshaft	29675 Assy 902B7	1
Countershaft Front	NP418109-NP525386	2
Countershaft Rear	NP449281-NP357215	2
Reverse Idler	A1228E1175	2
Auxiliary Countershaft Front	NP449281-NP357215	2
Auxiliary Countershaft Rear	3782-3720	2
Spring	2258Z1144	3
Oil Seal Kit	KIT5389	1
O-Ring	1205T1268	3
O-Ring	OR-014V	1
O-Ring	OR-017V	1
O-Ring	OR-119	3
O-Ring	OR-316V	1
O-Ring	OR-334V	1
O-Ring	OR-340V	2
Lock Nut	NL17-1	1
Lock Nut	NL25-1	1
Lock Nut	NL110-1	2
Snap Ring Set	KIT5329	1
Spacer Kit	KIT5331	1
Shim Kit	KIT5364	1
Small Parts Kit	KIT5291	1
Gasket	2208K1051	1
Output Shaft Nut	1227T1554	1

TRK-5358

Position	Part Number	Quantity
Input Shaft	212SLV	1
Input Shaft Pilot	1225A1171	1
Auxiliary Drive Gear	119L	1
Auxiliary Mainshaft	29675 Assy 902B7	1
Countershaft Front	NP418109-NP525386	2
Countershaft Rear	NP449281-NP357215	2
Reverse Idler	A1228E1175	2
Auxiliary Countershaft Front	NP449281-NP357215	2
Auxiliary Countershaft Rear	3782-3720	2
Spring	2258Z1144	3
Oil Seal Kit	KIT5389	1
O-Ring	1205T1268	3
O-Ring	OR-009V	1
O-Ring	OR-014V	1
O-Ring	OR-017V	1
O-Ring	OR-119	3
O-Ring	OR-316V	1
O-Ring	OR-320V	1
O-Ring	OR-323V	1
O-Ring	OR-334V	1
O-Ring	OR-340V	2
O-Ring	5X889	1
Lock Nut	NL17-1	1
Lock Nut	NL25-1	1
Lock Nut	NL110-1	2
Snap Ring Set	KIT5329	1
Snap Ring	1229V4234	1
Spacer Kit	KIT5331	1
Shim Kit	KIT5364	1
Small Parts Kit	KIT5291	1
Gasket	3208S1059	1
Output Shaft Nut	1227T1554	1
Nut	1227A1405	1
Valve Assembly	A2297K5965	1

TRK-5406

Position	Part Number	Quantity
Input Shaft	212SLV	1
Input Shaft Pilot	1225A1171	1
Auxiliary Drive Gear	119L	1
Auxiliary Mainshaft	NP301337 Assy 902A2	1
Countershaft Front	NP418109-NP525386	2
Countershaft Rear	NP449281-NP357215	2
Reverse Idler	A1228E1175	2
Auxiliary Countershaft Front	NP449281-NP357215	2
Auxiliary Countershaft Rear	NP449281-NP357215	2
Spring	2258Z1144	3
Spring	2258F1332	1
Ball	2297R6986	1
Oil Seal Kit	KIT5389	1
O-Ring	OR-016V	2
O-Ring	OR-119	3
O-Ring	OR-340V	2
Lock Nut	NL25-1	1
Lock Nut	NL110-1	2
Snap Ring Set	KIT5329	1
Spacer Kit	KIT5404	1
Shim Kit	KIT5364	1
Output Shaft Nut	1227T1554	1
Piston Seal Kit	KIT5401	1

TRK-7032

Position	Part Number	Quantity
Input Shaft	M802048-M802011	1
Input Shaft Pilot	QBR49845	14
Output Shaft	28580A-28527RB	1
Countershaft Front & Rear	25590-25520	2
4th & 5th Shift Hub Bearing	FA35688	1
4th & 5th Shift Hub Race	TR235383	1
Mainshaft 1st Gear	F84003	1
Mainshaft 2nd, 3rd & Reverse Gear	F94490	3
Mainshaft 4th Gear	F94488	1
Reverse Idler	QA47838	52
Input Shaft Seal	473010N (16247)	1
Input Shaft Seal	482041N (18555)	1
Input Shaft Seal	710211	1
Output Shaft Seal	475322N (27295)	1
Output Shaft Seal	416664 (27269)	1
Output Shaft Seal	415001N (25065)	1
Threadlocker	TL1	1
Gasket Set	K-7030	1

TRK-7033

Position	Part Number	Quantity
Input Shaft	M804049-M804010	1
Input Shaft Pilot	QBR49845	14
Output Shaft	28580A-28527RB	1
Countershaft Front & Rear	25590-25520	2
4th & 5th Shift Hub Bearing	FA35688	1
4th & 5th Shift Hub Race	TR235383	1
Mainshaft 1st Gear	F84003	1
Mainshaft 2nd, 3rd & Reverse Gear	F94490	3
Mainshaft 4th Gear	F94488	1
Reverse Idler	QA47838	52
Snap Ring	226331	1
Input Shaft Seal	473010N (16247)	1
Input Shaft Seal	4300204	1
Input Shaft Seal	710211	1
Output Shaft Seal	4300119	1
Output Shaft Seal	416664 (27269)	1
Output Shaft Seal	415001N (25065)	1
Threadlocker	TL1	1
Gasket Set	K-7030	1

TRK-7035

Position	Part Number	Quantity
Input Shaft	39590-39520	1
Input Shaft Pilot	31594	1
Output Shaft	45285A-45220	1
Countershaft Front	25590-25522	1
Countershaft Rear	3782-3720	1
1st & Reverse Gear	FW707620	4
2nd Gear	FW657020	2
3rd Gear	FW556020	2
4th Gear	FW505520	2
Reverse Idler	FW404820	2
Countershaft Plug	3315679	1
Spring	3315765	4
Snap Ring	3315686	1
Snap Ring	3315725	1
Input Shaft Seal	710211	1
Output Shaft Seal	475322N (27295)	1
Shim Kit	K-2183	1
Gasket Set	K-7028	1

TRK-7052

Position	Part Number	Quantity
Input Shaft 1.75"	39590-39520	1
Input Shaft 1.50"	45284-45220	1
Input Shaft Pilot	31594	1
Output Shaft	45285A-45220	1
Countershaft Front	25590-25522	1
Countershaft Rear	3782-3720	1
1st & 2nd Gear	FW707620	4
3rd Gear	FW657020	2
4th & Reverse Gear	FW556020	2
5th Gear	FW505520	2
Reverse Idler	FW404820	2
Countershaft Plug	3315679	1
Spring	3315765	4
Snap Ring	3315686	1
Snap Ring	3315725	2
Input Shaft Seal	710211	1
Output Shaft Seal	4300119	1
Shim Kit	K-2183	1
Gasket Set	K-7028	1

Heavy Duty Transmission Rebuild Kits

Rebuild Kits and Components Interchanges

Manufacturer Part #	Manufacturer	DT Components Part #	Manufacturer Part #	Manufacturer	DT Components Part #	Manufacturer Part #	Manufacturer	DT Components Part #
029HH100	Dana/Eaton	714512	119919	Dana/Eaton	32024X Cup	127535	Dana/Eaton	55212C
070HB107	Dana/Eaton	47686	120080	Dana/Eaton	MU1309UM	127536	Dana/Eaton	29630
070HB111	Dana/Eaton	JM207049A	120098	Dana/Eaton	772	127539	Dana/Eaton	JLM104910
1008585	Dana/Eaton	HM212049	1205G2607	Rockwell/Meritor	KIT5401	127540	Dana/Eaton	LM104949
1008586	Dana/Eaton	3782	1205T1268	Rockwell/Meritor	1205T1268	127545	Dana/Eaton	OR-232
1008911	Dana/Eaton	HM212011	1205Y1039	Rockwell/Meritor	OR-119	127591	Dana/Eaton	DT7591
1008912	Dana/Eaton	552A	1221R1006	Rockwell/Meritor	MRB7309	127592	Dana/Eaton	DT7592
101-432-1X	Spicer/TTC	TRK-222	1221S1007	Rockwell/Meritor	MRC7309	127595	Dana/Eaton	127595
101-482-1	Spicer/TTC	1213L	1225A1171	Rockwell/Meritor	1225A1171	127596	Dana/Eaton	127596
101-486-1-1X	Spicer/TTC	101-486-1-1X	1227A1405	Rockwell/Meritor	1227A1405	127597	Dana/Eaton	127597
102611	Dana/Eaton	102611	1227J1570	Rockwell/Meritor	KIT5401	127598	Dana/Eaton	127598
102660	Dana/Eaton	68462	1227T1554	Rockwell/Meritor	1227T1554	127599	Dana/Eaton	127599
103511	Dana/Eaton	DRK-208A	1228A261	Rockwell/Meritor	MUC1309UM	127719	Dana/Eaton	127719
103512	Dana/Eaton	DRK-219R	1228B1042	Rockwell/Meritor	RU9008UM	127720	Dana/Eaton	127720
1064	Eaton/Fuller	1064	1228B262	Rockwell/Meritor	MUB1309UM	127721	Dana/Eaton	127721
106845	Dana/Eaton	DRK-193A	1228C3	Rockwell/Meritor	1209A	127826	Dana/Eaton	BS500016
107276	Dana/Eaton	RTV Silicone	1228C55	Rockwell/Meritor	MU1305TDM	127826	Dana/Eaton	RU9008UM
107276S	Dana/Eaton	30ZRTVBL	1228D524	Rockwell/Meritor	5204K	128604	Dana/Eaton	42362
107276S	Dana/Eaton	RTV Silicone	1228E1045	Rockwell/Meritor	MUB1307UBM	128702	Dana/Eaton	128702
10737	Dana/Eaton	3820	1228E161	Rockwell/Meritor	MU5208UM	128703	Dana/Eaton	401300
107567	Dana/Eaton	107567	1228F136	Rockwell/Meritor	MU1307TM	129175	Dana/Eaton	MUSB1307UM
107568	Dana/Eaton	107568	1228F240	Rockwell/Meritor	5211W	129305	Dana/Eaton	129305
107569	Dana/Eaton	107569	1228F552	Rockwell/Meritor	RU1570UM	129374	Dana/Eaton	NP975161
107570	Dana/Eaton	107570	1228G1203	Rockwell/Meritor	212SLV	129375	Dana/Eaton	NP577914
107571	Dana/Eaton	107570	1228H190	Rockwell/Meritor	MR1213EL	129377	Dana/Eaton	NP107783
107669	Dana/Eaton	DRK-209	1228H580	Rockwell/Meritor	MUB1305UDM	129378	Dana/Eaton	NP568900
107670	Dana/Eaton	DRK-72B	1228J192	Rockwell/Meritor	210	129380	Dana/Eaton	NP720703
108145	Dana/Eaton	108145	1228L1130	Rockwell/Meritor	JP10010	129381	Dana/Eaton	NP431952
109369	Dana/Eaton	DRK-403	1228L194	Rockwell/Meritor	212	129383	Dana/Eaton	NP378092
109638	Dana/Eaton	DRK-412	1228P1004	Rockwell/Meritor	A1-1228P1004	129384	Dana/Eaton	NP555065
110811	Dana/Eaton	29620	1228P250	Rockwell/Meritor	313	129558	Dana/Eaton	NP930036
110812	Dana/Eaton	29675	1228R200	Rockwell/Meritor	209	129559	Dana/Eaton	NP193660
110846	Dana/Eaton	HM807049	1228S1267	Rockwell/Meritor	MUB7309UM	129560	Dana/Eaton	NP242732
111295	Dana/Eaton	LM501310	1228S1267	Rockwell/Meritor	MUB7307UM	129561	Dana/Eaton	NP611140
111296	Dana/Eaton	LM501349	1228T254	Rockwell/Meritor	5212W	129562	Dana/Eaton	NP523912
111308	Dana/Eaton	3780	1228T592	Rockwell/Meritor	H715334	129563	Dana/Eaton	NP799449
111314	Dana/Eaton	MUF1208CBXV1	1228V204	Rockwell/Meritor	211B	129564	Dana/Eaton	NP105857
111355	Dana/Eaton	HM88610	1228V594	Rockwell/Meritor	9278	129565	Dana/Eaton	NP380290
111356	Dana/Eaton	HM88649	1228W179	Rockwell/Meritor	MU1221UM	129566	Dana/Eaton	NP533133
111374	Dana/Eaton	3872	1228X154	Rockwell/Meritor	MU1308UM	129847	Dana/Eaton	NP723977
113130	Dana/Eaton	113130	1228Z52	Rockwell/Meritor	MU1306TDM	129848	Dana/Eaton	NP751735
11364	Eaton/Fuller	11364	1229K1623	Rockwell/Meritor	1229K1623	129947	Dana/Eaton	WUB61308UM
113866	Dana/Eaton	113866	1229L1624	Rockwell/Meritor	1229L1624	130598	Dana/Eaton	NP523912
113868	Dana/Eaton	HM813841	1229T4076	Rockwell/Meritor	1229T4076	131008K	Dana/Eaton	131008K
113869	Dana/Eaton	HM813810	1229V4234	Rockwell/Meritor	1229V4234	131041	Dana/Eaton	NP374995
113871	Dana/Eaton	9185	12495	Dana/Eaton	55437	131042	Dana/Eaton	NP237087
113872	Dana/Eaton	9192	12496	Dana/Eaton	55200C	131044	Dana/Eaton	NP120322.904A5
113881	Dana/Eaton	113881	12500	Dana/Eaton	52618	131048	Dana/Eaton	NP049312.904A4
114394	Dana/Eaton	DRK-196	12501	Dana/Eaton	52400	131050	Dana/Eaton	NP478770
115125	Dana/Eaton	DRK-207	126003	Dana/Eaton	126003	131051	Dana/Eaton	NP547156
118118	Dana/Eaton	DRK-210	126004	Dana/Eaton	126004	131052	Dana/Eaton	NP927527
118122	Dana/Eaton	DRK-208	126180	Dana/Eaton	126180	131202	Dana/Eaton	NP846736
118787	Dana/Eaton	MA1211	126187	Dana/Eaton	MUB1308UM	131203	Dana/Eaton	NP166419
118788	Dana/Eaton	M1211EL	126242	Dana/Eaton	126242	131205	Dana/Eaton	HM813844
118789	Dana/Eaton	MA1209	126259	Dana/Eaton	XC2837CT	131206	Dana/Eaton	HM813810
118790	Dana/Eaton	M1209EL	126286	Dana/Eaton	H914811	131208	Dana/Eaton	NP171276
119427	Dana/Eaton	119427	126287	Dana/Eaton	H914841	131209	Dana/Eaton	NP943289
119429	Dana/Eaton	119429	126924	Dana/Eaton	56662	131211	Dana/Eaton	NP197868
119430	Dana/Eaton	119430	126987	Dana/Eaton	6580	131212	Dana/Eaton	NP802507
119681	Dana/Eaton	33262	126988	Dana/Eaton	6535	131333	Dana/Eaton	401300
119689	Dana/Eaton	72213	127051	Dana/Eaton	MUSB7307UM	131354	Dana/Eaton	131354
119797	Dana/Eaton	DRK-402	127369	Dana/Eaton	129305	1313645	Eaton/Fuller	25522
119855	Dana/Eaton	119855	127386	Dana/Eaton	127386	1314773	Eaton/Fuller	M802048
119858	Dana/Eaton	MUB1308UM	127484	Dana/Eaton	MUB1307UM	1314774	Eaton/Fuller	M802011
119918	Dana/Eaton	32024X Cone	127485	Dana/Eaton	MUB7307UM	13224	Dana/Eaton	MU1305TDM

Rebuild Kits and Components Interchanges

Manufacturer Part #	Manufacturer	DT Components Part #
14024	Dana/Eaton	3720
14217	Dana/Eaton	72487
14218	Dana/Eaton	72212C
14287	Eaton/Fuller	HJ223020/IR18200H
14289	Eaton/Fuller	14289
14291	Eaton/Fuller	14291
14317	Eaton/Fuller	14317
14354	Dana/Eaton	127831
14366	Eaton/Fuller	MU1308TV
14367	Eaton/Fuller	A3071
14750	Eaton/Fuller	14750
14754	Eaton/Fuller	14754
14897	Eaton/Fuller	14897
14993	Eaton/Fuller	14993
15045	Eaton/Fuller	WJ162116
15046	Eaton/Fuller	15046
15087	Eaton/Fuller	415991N
15092	Dana/Eaton	42584
15093	Eaton/Fuller	OK-15093
15094	Dana/Eaton	495A
15095	Eaton/Fuller	15095
15253	Eaton/Fuller	15253
15259	Fuller/Eaton	MU5209TV
15260	Eaton/Fuller	A2892
1551527C91	IHC/Navistar	DRK-1
15748	Eaton/Fuller	15748
15828	Dana/Eaton	MUSB1307UM
15973	Eaton/Fuller	15973
15977	Eaton/Fuller	BS61
15980	Eaton/Fuller	15980
15982	Eaton/Fuller	MU1307V
15994	Eaton/Fuller	15994
16244	Eaton/Fuller	MR1308TV
1651526C91	IHC/Navistar	DRK-24
1651528C91	IHC/Navistar	DRK-23
1651529C91	IHC/Navistar	DRK-72
1651530C91	IHC/Navistar	DRK-23D
1651531C91	IHC/Navistar	DRK-64FD
1651532C91	IHC/Navistar	DRK-1A
1651533C91	IHC/Navistar	DRK-64FE
16516	Eaton/Fuller	BS60
1654 851 C1	Spicer/TTC	MU5206L
1654851C1	IHC/Navistar	MU5206L
16566	Eaton/Fuller	BS59
16723	Eaton/Fuller	16723
16763	Eaton/Fuller	16763
16798	Eaton/Fuller	16798
1681 310 C91	Spicer/TTC	MB1212GEXR
1681310C91	IHC/Navistar	MB1212GEXR
16817	Eaton/Fuller	MU1306UV
16977	Eaton/Fuller	470737N
16980	Eaton/Fuller	16980
17399	Eaton/Fuller	17399
17425	Fuller/Eaton	415027N
17453	Eaton/Fuller	OK-17453
17553	Eaton/Fuller	MR1206RUGV
1828H138	Rockwell/Meritor	1307S
1828K219	Rockwell/Meritor	1311L
1828L38	Rockwell/Meritor	MU1218TDM
1828P68	Rockwell/Meritor	MR1212EL
1828S149	Rockwell/Meritor	211L
1828S201	Rockwell/Meritor	1309S
1828V74	Rockwell/Meritor	208L
1828Z234	Rockwell/Meritor	307S
18408	Fuller/Eaton	416339

Manufacturer Part #	Manufacturer	DT Components Part #
18657	Eaton/Fuller	MU1207UGV
18658	Eaton/Fuller	MU1306UGV
19109	Eaton/Fuller	713750
19529	Dana/Eaton	653
19551	Eaton/Fuller	MS1309GEXR
19974	Eaton/Fuller	19974
20015	Eaton/Fuller	MR1307EX
20085	Eaton/Fuller	20085
20128	Eaton/Fuller	OK-20128
201-381-1	Spicer/TTC	201-381-1
201-381-3	Spicer/TTC	201-381-3
201-463-8	Spicer/TTC	201-463-8
20171	Eaton/Fuller	BS59
201989	Eaton/Fuller	J361644
205SP32P2	Mack	DRK-502
205SP45A	Mack	DRK-117A
205SP70	Mack	DRK-117
205SP71	Mack	DRK-205
205SP71A	Mack	DRK-205
205SP72	Mack	DRK-206
205SP72A	Mack	DRK-206
205SP73	Mack	DRK-206
205SP73A	Mack	DRK-206
205SP75	Mack	DRK-212R
205SP75A	Mack	DRK-212F
205SP76A	Mack	DRK-212R
205SP77	Mack	DRK-501
20606	Eaton/Fuller	MR1306RUGVW140
20606	Fuller/Eaton	MR1306RUGVW140
20607	Eaton/Fuller	MU1308UM
20674	Eaton/Fuller	OR-123
20701	Eaton/Fuller	MSN1212REXW619
20701	Fuller/Eaton	MSN1212REXW619
20703	Eaton/Fuller	MSN1309REXW619
20703	Fuller/Eaton	MSN1309REXW619
20704	Eaton/Fuller	F206252
20705	Eaton/Fuller	FW687430
20706	Eaton/Fuller	FW808840
20707	Eaton/Fuller	F11739
20712	Eaton/Fuller	20712
20715	Eaton/Fuller	415004V
20716	Eaton/Fuller	470625V
20762	Eaton/Fuller	472311V
20807	Dana/Eaton	713750
20807	Eaton/Fuller	713750
20832	Eaton/Fuller	MU1307GUM
20832	Fuller/Eaton	MU1307GUM
208385	Eaton/Fuller	450316
20850	Dana/Eaton	127837
20899	Eaton/Fuller	MSN1211REX
208SH100	Mack	TRK-503
208SH101	Mack	TRK-214
208SH104	Mack	TRK-213
208SH104A	Mack	TRK-213SD
208SH105	Mack	TRK-185
208SH106	Mack	TRK-187
208SH107	Mack	TRK-214MK1
208SH35P1	Mack	TRK-65
208SH71	Mack	TRK-187
208SH75	Mack	TRK-187
208SH82	Mack	TRK-185
208SH83	Mack	TRK-500
208SH84	Mack	TRK-187
208SH85	Mack	TRK-65
208SH86	Mack	TRK-185

Manufacturer Part #	Manufacturer	DT Components Part #
208SH87	Mack	TRK-213
208SH92	Mack	TRK-501
208SH93	Mack	TRK-502
20920	Eaton/Fuller	712750
20920	Fuller/Eaton	20920
210111	Dana/Eaton	RUB1570UM
210353	Dana/Eaton	MUB1305UDM
21036	Eaton/Fuller	K-2256
210474	Dana/Eaton	H913810
210475	Dana/Eaton	H913842
210588	Dana/Eaton	MUB5207UM
210724	Dana/Eaton	210724
210736	Dana/Eaton	210736
210737	Dana/Eaton	210737
21100	Spicer/TTC	470898
211222	Dana/Eaton	DRK-222F
211223	Dana/Eaton	DRK-222R
21208	Eaton/Fuller	OR-217V
21209	Eaton/Fuller	OR-221V
21320	Eaton/Fuller	21320
21343	Eaton/Fuller	4302074
21352	Eaton/Fuller	AA151212
21352	Eaton/Fuller	AA1512-12
21355	Eaton/Fuller	DTP355
21356	Eaton/Fuller	DTP356
216220	Dana/Eaton	DRK-404FMK
216221	Dana/Eaton	DRK-404RMK
216234	Dana/Eaton	DRK-404F
216248	Dana/Eaton	DRK-404R
21632	Dana/Eaton	68712
21633	Dana/Eaton	68450
21635	Dana/Eaton	42346
2208K1051	Rockwell/Meritor	2208K1051
2230X1350	Rockwell/Meritor	KIT5401
22328	Eaton/Fuller	22328
22329	Eaton/Fuller	22329
22360	Eaton/Fuller	22360
2258F1332	Rockwell/Meritor	2258F1332
2258Z1144	Rockwell/Meritor	2258Z1144
226331	Eaton/Fuller	226331
227080	Eaton/Fuller	N309L
227081	Eaton/Fuller	SRA5304
228285	Eaton/Fuller	M28161
229367	Eaton/Fuller	472164N
2297R6986	Rockwell/Meritor	2297R6986
2297S2765	Rockwell/Meritor	A1228E1175
229985	Eaton/Fuller	450519
232-0376	Fabco	5310KL
23261	Eaton/Fuller	MR1306UVW745
23261	Fuller/Eaton	MR1306UVW745
233-0375	Fabco	572
233-0376	Fabco	JH307710
233-0377	Fabco	JH307749
233-0443	Fabco	JH211749
233-0444	Fabco	JH211710
233-0457	Fabco	4595
233-0458	Fabco	4535
233-0474	Fabco	5584
233-0475	Fabco	5535
233-0479	Fabco	59425
233-0485	Fabco	389A
233-0487	Fabco	59201
233-0489	Fabco	576
233-0492	Fabco	633
233-0493	Fabco	639

Rebuild Kits and Components Interchanges

Manufacturer Part #	Manufacturer	DT Components Part #	Manufacturer Part #	Manufacturer	DT Components Part #	Manufacturer Part #	Manufacturer	DT Components Part #
233-0497	Fabco	575	30350	Dana/Eaton	39520	35502	Dana/Eaton	HM807010
233-0498	Fabco	580	30689	Dana/Eaton	39590	360570C93	IHC/Navistar	DRK-24
233-0499	Fabco	32213	30692	Dana/Eaton	47686	360571C93	IHC/Navistar	DRK-23
233-0523	Fabco	33212	30703	Dana/Eaton	30703	360HA100	Dana/Eaton	72487
233-0545	Fabco	453X	312475-25X	Spicer/TTC	GT-158	360HB100	Dana/Eaton	72225CPWCVW8
233-0548	Fabco	455	312475-33X	Spicer/TTC	GT-193	360KS100-X	Dana/Eaton	DRK-414
23484	Eaton/Fuller	415001N	312475-35X	Spicer/TTC	312475-35X	369243C93	IHC/Navistar	DRK-64FC
235130	Eaton/Fuller	MU1309SGNV	312475-40X	Spicer/TTC	GT-210	369244C93	IHC/Navistar	DRK-1A
235376	Eaton/Fuller	QA48181A	312475-45X	Spicer/TTC	312475-45X	369981C93	IHC/Navistar	DRK-192FC
235382	Eaton/Fuller	FA35688	312475-46X	Spicer/TTC	GT-221	3720	Rockwell/Meritor	3720
235383	Eaton/Fuller	TR235383	313024-27X	Spicer/TTC	313024-27X	3767	Rockwell/Meritor	3767
235393	Eaton/Fuller	473010N	313024-28X	Spicer/TTC	SR-221	3775	Rockwell/Meritor	3775
235394	Eaton/Fuller	482041N	313225X	Spicer/TTC	C437Q	382A	Rockwell/Meritor	382A
235402	Eaton/Fuller	DD46386	313432-10X	Spicer/TTC	TRK-180	383271C91	Dana/Eaton	MUB5206UM
235411	Eaton/Fuller	MU1309UGM	313432-11X	Spicer/TTC	TRK-210	385A	Rockwell/Meritor	385A
235412	Eaton/Fuller	QA47838	313432-14X	Spicer/TTC	TRK-706	387A	Rockwell/Meritor	387A
235414	Eaton/Fuller	QBR49845	313432-16X	Spicer/TTC	TRK-705	390HA100	Dana/Eaton	JLM710910
235417	Eaton/Fuller	M804010	313432-1X	Spicer/TTC	TRK-192	390HA101	Dana/Eaton	NP692588
235418	Eaton/Fuller	M804049	313432-20X	Spicer/TTC	TRK-186	390HB101	Dana/Eaton	JLM710949
235423	Eaton/Fuller	28527RB	313432-21X	Spicer/TTC	TRK-73	390HB102	Dana/Eaton	NP064206
235556	Eaton/Fuller	25547RB	313432-23X	Spicer/TTC	TRK-155	390HD100	Dana/Eaton	MUX5207UMV1
235557	Eaton/Fuller	25547RB	313432-24X	Spicer/TTC	TRK-226	390HD103	Dana/Eaton	SC1084C4
235655	Eaton/Fuller	416664	313432-25X	Spicer/TTC	TRK-147	390KS103-X	Dana/Eaton	DRK-411R
23613	Eaton/Fuller	MU1310RUMW3	313432-27X	Spicer/TTC	TRK-181	390KS105-X	Dana/Eaton	DRK-411F
23613	Fuller/Eaton	MU1310RUMW3	313432-29X	Spicer/TTC	TRK-189	392	Rockwell/Meritor	392
236729	Eaton/Fuller	475322N	313432-30X	Spicer/TTC	TRK-221	3920	Rockwell/Meritor	3920
237227	Eaton/Fuller	28580A	313432-31X	Spicer/TTC	TRK-180	394A	Rockwell/Meritor	394A
237919	Eaton/Fuller	411143N	313432-33X	Spicer/TTC	TRK-700	395	Rockwell/Meritor	395
239651	Eaton/Fuller	F94488	313432-34X	Spicer/TTC	TRK-219	39520	Rockwell/Meritor	39520
239653	Eaton/Fuller	F94490	313432-35X	Spicer/TTC	TRK-702	39590	Rockwell/Meritor	39590
239783	Eaton/Fuller	239783	313432-37X	Spicer/TTC	TRK-703	3994	Rockwell/Meritor	3994
239818	Eaton/Fuller	F84003	313432-46X	Spicer/TTC	TRK-221	401HA100	Dana/Eaton	HM807010
241706	Eaton/Fuller	455322N	313432-4X	Spicer/TTC	TRK-191	401HC101	Dana/Eaton	A1400
24328	Dana/Eaton	33472	313432-9X	Spicer/TTC	TRK-194	401HD100	Dana/Eaton	RU1570UM
24330	Dana/Eaton	33275	313438-3X	Spicer/TTC	313438-3X	401HD101	Dana/Eaton	B3624
258452C1	Dana/Eaton	28921	313628X	Spicer/TTC	JLM710949C-90KA3	401HH103	Dana/Eaton	4624V
258453C91	Dana/Eaton	28985	313645X	Spicer/TTC	BS500262	401HH104	Dana/Eaton	401HH104
27238	Dana/Eaton	78551	313667X	Spicer/TTC	313667X	401KS100-X	Dana/Eaton	DRK-223F
27239	Dana/Eaton	78215C	313668X	Spicer/TTC	K73X79X20B	401KS101-X	Dana/Eaton	DRK-223R
27274	Dana/Eaton	27274	31520	Rockwell/Meritor	31520	40-463-4-1x	Spicer/TTC	39930
27666	Dana/Eaton	665	31597	Rockwell/Meritor	31597	40-463-6-1x	Spicer/TTC	39920
27667	Dana/Eaton	760	31824	Dana/Eaton	592A	40679	Dana/Eaton	3994
27810	Dana/Eaton	27810	31825	Dana/Eaton	598	4124075	Eaton/Fuller	FW556020
27813	Dana/Eaton	497	3208S1059	Rockwell/Meritor	3208S1059	420030C93	IHC/Navistar	DRK-23D
27816	Dana/Eaton	56650	3313798	Eaton/Fuller	3313798	422291C92	IHC/Navistar	DRK-18D
27817	Dana/Eaton	56425	3315624	Eaton/Fuller	712512	42350	Rockwell/Meritor	42350
27827	Dana/Eaton	27827	3315674	Eaton/Fuller	K40X48X20AS390	42381	Rockwell/Meritor	42381
27876	Dana/Eaton	42381	3315679	Eaton/Fuller	3315679	42584	Rockwell/Meritor	42584
282040C93	IHC/Navistar	DRK-195	3315686	Eaton/Fuller	3315686	42620	Rockwell/Meritor	42620
282042C94	IHC/Navistar	DRK-192RA	3315703	Eaton/Fuller	FW707620	42688	Rockwell/Meritor	42688
282044C94	IHC/Navistar	DRK-72	3315722	Eaton/Fuller	FW657020	4300119	Eaton/Fuller	4300119
282045C94	IHC/Navistar	DRK-28	3315725	Eaton/Fuller	3315725	4300121	Eaton/Fuller	710211
282047C93	IHC/Navistar	DRK-197A	3315737	Eaton/Fuller	FW505520	4300203	Eaton/Fuller	471271V
28622	Rockwell/Meritor	28622	3315765	Eaton/Fuller	3315765	4300204	Eaton/Fuller	4300204
28682	Rockwell/Meritor	28682	33275	Rockwell/Meritor	33275	4300329	Eaton/Fuller	4300329
29620	Rockwell/Meritor	29620	33281	Rockwell/Meritor	33281	4300798	Eaton/Fuller	473010N
29630	Rockwell/Meritor	29630	33472	Rockwell/Meritor	33472	4300810	Eaton/Fuller	4300810
29675	Rockwell/Meritor	29675	33699	Dana/Eaton	55175C	4300828	Eaton/Fuller	MU61307GUM
29685	Rockwell/Meritor	29685	341KS101	Dana/Eaton	DRK-191R	4300902	Eaton/Fuller	DTP0902
300HA100	Dana/Eaton	9121	34301	Rockwell/Meritor	34301	4301254	Eaton/Fuller	4301254
300HB100	Dana/Eaton	9185	34306	Rockwell/Meritor	34306	4301417	Eaton/Fuller	MU1212RUMW3
300HD100	Dana/Eaton	RU9008UM	34368	Dana/Eaton	580	4301417	Fuller/Eaton	MU1212RUMW3
300HH100	Dana/Eaton	300HH100	34478	Rockwell/Meritor	34478	4301851	Eaton/Fuller	NP656227-NP896049
300KS100-X	Dana/Eaton	DRK-416	34500	Rockwell/Meritor	34500	4301855	Eaton/Fuller	MU1210RUMW772
30316	Dana/Eaton	782	34539	Dana/Eaton	749	4301855	Fuller/Eaton	MU1210RUMW772

Interchanges

Rebuild Kits and Components Interchanges



Manufacturer Part #	Manufacturer	DT Components Part #	Manufacturer Part #	Manufacturer	DT Components Part #	Manufacturer Part #	Manufacturer	DT Components Part #
4301863	Eaton/Fuller	MU1209UGMR	46AX490	Mack	1213A	550182	Spicer/TTC	25590
4301863	Fuller/Eaton	MU1209UGMR	46AX492	Mack	1211	550183	Spicer/TTC	25877
4302058	Eaton/Fuller	AXK5070	46AX516	Mack	214S	550228	Spicer/TTC	25821
4302074	Eaton/Fuller	DTP2074	46AX517	Mack	118L	550261	Spicer/TTC	5306W
4302082	Eaton/Fuller	4302082	46AX522	Mack	83B043C3	550348	Dana/Eaton	39520
4302240	Eaton/Fuller	BS226539V	472658C91	Dana/Eaton	MU1308UM	550375	Spicer/TTC	25520
4302677	Eaton/Fuller	BS500192S	472KS101	Dana/Eaton	DRK-192RB	550446	Spicer/TTC	26883
4302712	Eaton/Fuller	BS500052V	472KS113	Dana/Eaton	DRK-200FA	550447	Spicer/TTC	26824
4303031	Eaton/Fuller	MU1308TVWS	47420	Rockwell/Meritor	47420	550448	Spicer/TTC	23691
4303031	Fuller/Eaton	MU1308TVWS	47490	Rockwell/Meritor	47490	550449	Spicer/TTC	23620
4303362	Eaton/Fuller	4303362	474KS101	Dana/Eaton	DRK-201R	550612	Spicer/TTC	3979
4303424	Eaton/Fuller	4303424	474KS102	Dana/Eaton	DRK-201FA	550720	Spicer/TTC	MR1309EAL
4303667	Eaton/Fuller	MU1308TMWS	47620	Rockwell/Meritor	47620	550868	Spicer/TTC	2788A
4303667	Fuller/Eaton	MU1308TMWS	47686	Rockwell/Meritor	47686	550886	Spicer/TTC	WJ162116
4303920	Fuller/Eaton	MU1214UMW3	47820	Rockwell/Meritor	47820	550887	Spicer/TTC	MU1209TM
4303921	Eaton/Fuller	MU1213UMW3	47890	Rockwell/Meritor	47890	550889	Spicer/TTC	JH1812
4303921	Fuller/Eaton	MU1213RUMW3	483067C91	Dana/Eaton	HM813844	550891	Spicer/TTC	1911S
4304080	Eaton/Fuller	BS226539V	483068C1	Dana/Eaton	HM813810	550899	Spicer/TTC	JLM104910
4304101	Eaton/Fuller	4304101	483245C91	IHC/Navistar	DRK-187F	550900	Spicer/TTC	JLM104948
4304113	Eaton/Fuller	4304113	483246C91	IHC/Navistar	DRK-187R	550903	Spicer/TTC	MR1308EL
4304181	Eaton/Fuller	4304181	48922	Dana/Eaton	48922	550908	Spicer/TTC	212
4304184	Eaton/Fuller	MR61014W617	493	Rockwell/Meritor	493	550912	Spicer/TTC	2788
4304185	Eaton/Fuller	M61014GEVW617	495	Rockwell/Meritor	495	550913	Spicer/TTC	2720
4304189	Eaton/Fuller	4304189	49520	Rockwell/Meritor	49520	550914	Spicer/TTC	MR1213EL
4304198	Eaton/Fuller	4304198	49585	Rockwell/Meritor	49585	550921	Spicer/TTC	MU1207TV
4304202	Eaton/Fuller	K25X33X20B	496	Rockwell/Meritor	496	550923	Spicer/TTC	312LE
4304211	Eaton/Fuller	BS500156	497	Rockwell/Meritor	497	550924	Spicer/TTC	217SLE
4304212	Eaton/Fuller	BS5001563	497583C1	Dana/Eaton	RA53421	550925	Spicer/TTC	214LH
4304214	Eaton/Fuller	M5206VW603	497584C1	Dana/Eaton	JB53851	550927	Spicer/TTC	25584
4304217	Eaton/Fuller	4304217	49848	Dana/Eaton	HM903249	550929	Spicer/TTC	JM511910
4304555	Eaton/Fuller	4304555	49849	Dana/Eaton	HM903210	550930	Spicer/TTC	JM511946
4304598	Eaton/Fuller	BS500192S	499685C92	IHC/Navistar	DRK-200F	550931	Spicer/TTC	2580
4304599	Eaton/Fuller	BS500192S	499686C92	IHC/Navistar	DRK-192RB	550932	Spicer/TTC	F81205
4304605	Eaton/Fuller	4304605	499687C92	IHC/Navistar	DRK-201F	550933	Spicer/TTC	M804010
4305625	Eaton/Fuller	4305625	499688C92	IHC/Navistar	DRK-201R	550934	Spicer/TTC	M804049
43269	Dana/Eaton	43269	501273C92	IHC/Navistar	DRK-193A	550935	Spicer/TTC	JLM506810
4327	Dana/Eaton	4327	504266C92	IHC/Navistar	DRK-202	550936	Spicer/TTC	JLM506849
43271	Dana/Eaton	43271	509689	Dana/Eaton	DRK-412	550938	Spicer/TTC	F56619
43588	Dana/Eaton	107567	51232	Dana/Eaton	34492A	550940	Spicer/TTC	MR1307EX
43589	Dana/Eaton	107569	51233	Dana/Eaton	34274	550941	Dana/Eaton	MR1307EBX
44143	Rockwell/Meritor	44143	512800	Dana/Eaton	DRK-405F	550941	Spicer/TTC	MR1307EBX
441452C93	IHC/Navistar	DRK-1	512805	Dana/Eaton	DRK-405R	550944	Spicer/TTC	MR1211GEL
441453C93	IHC/Navistar	DRK-64F	512806	Dana/Eaton	DRK-429	550946	Spicer/TTC	MR1205EL
441454C93	IHC/Navistar	DRK-9RC	512812	Dana/Eaton	DRK-427	550950	Spicer/TTC	MU1209TM
441455C93	IHC/Navistar	DRK-900FA	512828	Dana/Eaton	DRK-445	550952	Spicer/TTC	MU1311UGMR
44348	Rockwell/Meritor	44348	512829	Dana/Eaton	DRK-446	550953	Spicer/TTC	JH1416
450080C92	IHC/Navistar	DRK-900FA	513279	Dana/Eaton	DRK-434	550959	Spicer/TTC	MU1209UGMR
450083C93	IHC/Navistar	DRK-191R	514011	Dana/Eaton	DRK-436	550962	Spicer/TTC	SCE2420
450084C93	IHC/Navistar	DRK-198	514012	Dana/Eaton	DRK-437	550963	Spicer/TTC	F93290
450085C93	IHC/Navistar	DRK-192R	514013	Dana/Eaton	DRK-438	550964	Spicer/TTC	LM48548
450087C92	IHC/Navistar	DRK-172R	514014	Dana/Eaton	DRK-439	550965	Spicer/TTC	LM48510
450087C93	IHC/Navistar	DRK-172R	514015	Dana/Eaton	DRK-440	550966	Spicer/TTC	LM102949
450089C93	IHC/Navistar	DRK-192FA	514016	Dana/Eaton	DRK-441	550967	Spicer/TTC	LM102910
452602C93	IHC/Navistar	DRK-194F	514059	Dana/Eaton	DRK-447	550968	Spicer/TTC	F95407
45460	Dana/Eaton	72200C	514060	Dana/Eaton	DRK-448	550969	Spicer/TTC	WR61209EX
45461	Dana/Eaton	45461	514238	Dana/Eaton	DRK-442	550978	Spicer/TTC	2729
45462	Dana/Eaton	45462	514239	Dana/Eaton	DRK-443	550981	Spicer/TTC	MU1215TV
45463	Dana/Eaton	45463	514240	Dana/Eaton	DRK-444	550982	Spicer/TTC	114
45478	Dana/Eaton	45478	5205047	Eaton/Fuller	45284	550983	Spicer/TTC	F87946
45498	Dana/Eaton	45498	52387	Rockwell/Meritor	52387	550986	Spicer/TTC	MU5206L
45499	Dana/Eaton	45499	52387P	Rockwell/Meritor	52387P	550987	Spicer/TTC	K50X55X20A
45516	Dana/Eaton	45516	52400	Rockwell/Meritor	52400	550988	Spicer/TTC	7211HFL
46526	Dana/Eaton	46526	52618	Rockwell/Meritor	52618	550989	Spicer/TTC	7211HL
46584	Dana/Eaton	MA1209EL	52618P	Rockwell/Meritor	52618P	550990	Spicer/TTC	F209348
46AX410	Mack	214L	550031	Spicer/TTC	311L	550991	Spicer/TTC	F208323

Interchanges

Rebuild Kits and Components Interchanges

Manufacturer Part #	Manufacturer	DT Components Part #	Manufacturer Part #	Manufacturer	DT Components Part #	Manufacturer Part #	Manufacturer	DT Components Part #
550992	Spicer/TTC	MU1211GUM	60-463-8	Spicer/TTC	415004V	683	Rockwell/Meritor	683
550994	Spicer/TTC	LM501310	6082	Dana/Eaton	567	687	Rockwell/Meritor	687
550995	Spicer/TTC	LM501349	61993	Dana/Eaton	107568	691644	Eaton/Fuller	691644
550996	Spicer/TTC	MR1307EX	61994	Dana/Eaton	107570	6984	Fuller/Eaton	MU1308TM
550997	Spicer/TTC	K55X63X25A	62-463-8	Spicer/TTC	452742	70709	Dana/Eaton	70709
550998	Spicer/TTC	MR1309UV	62829	Dana/Eaton	62829	710787	Eaton/Fuller	31594
551001	Spicer/TTC	K45X50X17B	62830	Dana/Eaton	62830	711123	Eaton/Fuller	45220
551002	Spicer/TTC	MSN1213GEJR	62AX241	Mack	596	72188C	Rockwell/Meritor	72188C
551003	Spicer/TTC	K47X53X25A	62AX292	Mack	3780	72200C	Rockwell/Meritor	72200C
551004	Spicer/TTC	K55X63X20B	62AX292	Mack	LM501310	72201C	Rockwell/Meritor	72201C
551005	Spicer/TTC	K65X70X30A	62AX294	Mack	JLM104910	72212C	Rockwell/Meritor	72212C
551006	Spicer/TTC	FW657020	62AX358	Mack	6466	72225C	Rockwell/Meritor	72225C
551007	Spicer/TTC	MB1212GEXR	62AX404	Mack	47687	72487	Rockwell/Meritor	72487
551010	Spicer/TTC	LM501310P	62AX408	Mack	H715345	730362	Eaton/Fuller	2631
551011	Spicer/TTC	LM501349HP	62AX471	Mack	HM516448	731321	Eaton/Fuller	25584
551013	Spicer/TTC	25581	62AX487	Mack	LM501349	731334	Eaton/Fuller	39585
55176C	Rockwell/Meritor	55176C	62AX489	Mack	JLM104948	732-0333	Fabco	415027N
55187C	Rockwell/Meritor	55187C	62AX494	Mack	H715334	732-0355	Fabco	415991N
55200C	Rockwell/Meritor	55200C	632	Rockwell/Meritor	632	742259	Eaton/Fuller	39590
55206C	Rockwell/Meritor	55206C	63-463-1	Spicer/TTC	415322V	7443	Spicer/TTC	6835S
55437	Rockwell/Meritor	55437	641	Rockwell/Meritor	641	75063	Dana/Eaton	75063
55443	Rockwell/Meritor	55443	64450	Rockwell/Meritor	64450	782-0288	Fabco	OR-012
5556503	Eaton/Fuller	DTP6503	64700	Rockwell/Meritor	64700	78225C	Rockwell/Meritor	78225C
5556505	Eaton/Fuller	5556505	6488	Eaton/Fuller	MU1309UV	78250AC	Rockwell/Meritor	78250AC
5557003	Eaton/Fuller	45285A	6488	Fuller/Eaton	MU1309TV	78551	Rockwell/Meritor	78551
5557005	Eaton/Fuller	NP317848	64AX16	Mack	3720	78904	Dana/Eaton	78904
5557503	Eaton/Fuller	NP525140	64AX239	Mack	47623A	78909	Dana/Eaton	78909
5566507	Eaton/Fuller	DTP6507	64AX242	Mack	H715311	78916	Dana/Eaton	MU1309CV
5566508	Eaton/Fuller	DTP6508	64AX267	Mack	HM516414B	78918	Dana/Eaton	78918
5566510	Eaton/Fuller	DTP6510	64AX29	Mack	6420	78919	Dana/Eaton	78919
56360	Dana/Eaton	56360	64AX292	Mack	LM501310	78920	Dana/Eaton	78920
56-432-1X	Spicer/TTC	TRK-704	64AX641	Mack	3720	78922	Dana/Eaton	78922
56-482-1	Spicer/TTC	MU5206L	64AX88	Mack	592A	78930	Dana/Eaton	313
565914	Dana/Eaton	3767	65225	Rockwell/Meritor	65225	78931	Dana/Eaton	78931
565920	Dana/Eaton	3720	65237	Rockwell/Meritor	65237	78936	Dana/Eaton	MA1211EL
565996	Dana/Eaton	395CS	654137	Eaton/Fuller	25581	78937	Dana/Eaton	78937
566071	Dana/Eaton	33281	654166	Eaton/Fuller	25520	79034	Dana/Eaton	79034
572	Rockwell/Meritor	572	65500	Rockwell/Meritor	65500	791943	Eaton/Fuller	25590
574273C92	IHC/Navistar	DRK-18E	658981	Eaton/Fuller	3782	80AX775	Mack	IR1816
574274C92	IHC/Navistar	DRK-64FD	660181	Eaton/Fuller	3720	81005	Fuller/Eaton	1312L
574275C92	IHC/Navistar	DRK-64FE	66212	Rockwell/Meritor	66212	81007	Eaton/Fuller	1211L
574276C92	IHC/Navistar	DRK-172FB	66225	Rockwell/Meritor	66225	81008	Eaton/Fuller	1310L
580	Rockwell/Meritor	580	66462	Rockwell/Meritor	66462	81010	Fuller/Eaton	1313L
581	Rockwell/Meritor	581	666554	Eaton/Fuller	2689	81012	Eaton/Fuller	1311L
581954C92	IHC/Navistar	DRK-203F	672	Rockwell/Meritor	672	81017	Fuller/Eaton	1212S
583428C92	IHC/Navistar	DRK-194RA	672070	Eaton/Fuller	25821	81022	Eaton/Fuller	1309L
592A	Rockwell/Meritor	592A	673-0229	Fabco	OR-032	81029	Eaton/Fuller	1212L
593A	Rockwell/Meritor	593A	675-0224-B46	Fabco	OR-224	81052	Eaton/Fuller	1310L
594A	Rockwell/Meritor	594A	675-0316-B46	Fabco	OR-316	81057	Eaton/Fuller	1310SLV
598	Rockwell/Meritor	598	675-0326	Fabco	OR-326	81058	Eaton/Fuller	309MG5
598A	Rockwell/Meritor	598A	675246	Eaton/Fuller	25877	81059	Eaton/Fuller	1213A
5X1034	Rockwell/Meritor	5X1034	675250	Eaton/Fuller	39520	81504	Eaton/Fuller	212SLV
5X1065	Rockwell/Meritor	OR-316V	67920	Dana/Eaton	67920	81505	Eaton/Fuller	117L
5X1066	Rockwell/Meritor	OR-334V	67921	Dana/Eaton	67921	81507	Eaton/Fuller	1311L
5X1069	Rockwell/Meritor	OR-340V	67922	Dana/Eaton	67922	81511	Fuller/Eaton	308
5X1081	Rockwell/Meritor	OR-323V	67923	Dana/Eaton	67923	81547	Eaton/Fuller	204
5X1083	Rockwell/Meritor	OR-014V	67924	Dana/Eaton	67924	81549	Eaton/Fuller	213
5X1084	Rockwell/Meritor	OR-009V	67AX204	Mack	B1612	81557	Eaton/Fuller	5310WL
5X1092	Rockwell/Meritor	OR-017V	67AX311	Mack	MA1205EL	81566	Eaton/Fuller	5310WLB
5X1133	Rockwell/Meritor	OR-320V	67AX318	Mack	C485424	81567	Eaton/Fuller	214LB
5X1134	Rockwell/Meritor	OR-016V	67AX334	Mack	JH1818	820642	Dana/Eaton	6461A
5X1217	Rockwell/Meritor	KIT5401	67AX335	Mack	SCH2216	820643	Dana/Eaton	555S
5X591	Rockwell/Meritor	5X591	67AX344	Mack	MU1208RUMW3	82-463-4	Spicer/TTC	415281N
5X889	Rockwell/Meritor	5X889	67AX345	Mack	MU1308RUMW3	830230	Dana/Eaton	RU6806UM
60-463-10-1X	Spicer/TTC	39925	67AX346	Mack	MU1308RUMW789	830392	Dana/Eaton	RU6805UM

Interchanges

Rebuild Kits and Components Interchanges



Manufacturer Part #	Manufacturer	DT Components Part #	Manufacturer Part #	Manufacturer	DT Components Part #	Manufacturer Part #	Manufacturer	DT Components Part #
830398	Dana/Eaton	WUB61307UM	A11228J1414	Rockwell/Meritor	NP301337.902A2	A1805C107	Rockwell/Meritor	472394
83462	Dana/Eaton	JM207010	A11228R486	Rockwell/Meritor	MU1218TDHM	A1805C159	Rockwell/Meritor	450352
83469	Dana/Eaton	JM207049	A11805S149	Rockwell/Meritor	3591	A1805D212	Rockwell/Meritor	475322N
83726	Dana/Eaton	83726	A1199S1917	Rockwell/Meritor	502234	A1805F162	Rockwell/Meritor	417487
83824	Dana/Eaton	JM822010	A1205A1925	Rockwell/Meritor	4492V	A1805M481	Rockwell/Meritor	55563
83825	Dana/Eaton	JM822049	A1205A2107	Rockwell/Meritor	45013S	A1805N352	Rockwell/Meritor	473445
85001	Eaton/Fuller	85001	A1205B1198	Rockwell/Meritor	410101N	A1805P536	Rockwell/Meritor	415483
85002	Eaton/Fuller	85002	A1205B1328	Rockwell/Meritor	3136N	A1805R408	Rockwell/Meritor	45031S
85003	Eaton/Fuller	85003	A1205C1927	Rockwell/Meritor	A1205C1927	A1805S149	Rockwell/Meritor	476283N
85404	Dana/Eaton	85404	A1205D1928	Rockwell/Meritor	415082N	A1805S279	Rockwell/Meritor	471570
85406	Dana/Eaton	85406	A1205D706	Rockwell/Meritor	6612S	A1805T488	Rockwell/Meritor	415984
85424	Dana/Eaton	JH307710	A1205E1227	Rockwell/Meritor	476023N	A1805W335	Rockwell/Meritor	415281N
85425	Dana/Eaton	JH307749	A1205E1929	Rockwell/Meritor	475234N	A1805X466	Rockwell/Meritor	456105
85429	Dana/Eaton	85429	A1205G2425	Rockwell/Meritor	4561-V	A1805X544	Rockwell/Meritor	416130
85437	Dana/Eaton	85437	A1205G683	Rockwell/Meritor	470308N	A1805Y415	Rockwell/Meritor	330699
85439	Dana/Eaton	72218C	A1205J1544	Rockwell/Meritor	415082N	A1805Z104	Rockwell/Meritor	415147
85991	Dana/Eaton	85991	A1205J1934	Rockwell/Meritor	4564V	A1805Z26	Rockwell/Meritor	340483
85994	Dana/Eaton	85994	A1205J2428	Rockwell/Meritor	DTR2592	A2297K5965	Rockwell/Meritor	A2297K5965
85997	Dana/Eaton	85997	A1205K1779	Rockwell/Meritor	475322N	A3697	Eaton/Fuller	A-3697
86781	Dana/Eaton	86781	A1205K401	Rockwell/Meritor	417316	A6340	Eaton/Fuller	A-6340
8879	Eaton/Fuller	MR1307EL	A1205K635	Rockwell/Meritor	470737N	ABG9131	PAI	6461A
88AX456	Mack	4492V	A1205K713	Rockwell/Meritor	3592	ACU9061	PAI	563
88AX458	Mack	4491V	A1205L714	Rockwell/Meritor	4563V	BBG6084	PAI	1212
88AX463	Mack	713750	A1205M325	Rockwell/Meritor	415137	BBG6623	PAI	7213BG
8997	Eaton/Fuller	CN1	A1205N1132	Rockwell/Meritor	470954	BBG7090	PAI	559
90943	Dana/Eaton	563	A1205N1496	Rockwell/Meritor	415013N	BBG7182	PAI	6379
90951	Dana/Eaton	3920	A1205N2588	Rockwell/Meritor	DTN2588	BBG7280	PAI	47681
90954	Dana/Eaton	575	A1205N612	Rockwell/Meritor	5406	BBG7320	PAI	1213L
90955	Dana/Eaton	572	A1205P1368	Rockwell/Meritor	416470N	BBG7330	PAI	HM516448
91082R91	Dana/Eaton	MU1307TM	A1205P1758	Rockwell/Meritor	471224	BBG7340	PAI	47687
91136	Dana/Eaton	3979	A1205P1914	Rockwell/Meritor	4876N	BBG7342	PAI	H715340
917217R1	Dana/Eaton	HM903210	A1205P2590	Rockwell/Meritor	DTP2590	BBG7399	PAI	661
9220	Rockwell/Meritor	9220	A1205Q1915	Rockwell/Meritor	3143N	BBG7400	PAI	557S
95215	Dana/Eaton	95215	A1205Q2591	Rockwell/Meritor	DTQ2591	BBG7401	PAI	49585
969079	Dana/Eaton	NP417549	A1205R2592	Rockwell/Meritor	DTR2592	BBG7402	PAI	65225
97-463-32	Spicer/TTC	412015V	A1205S1527	Rockwell/Meritor	475080N	BBG7403	PAI	65212
97-463-33	Spicer/TTC	455379V	A1205S1761	Rockwell/Meritor	410101N	BBG7421	PAI	598A
97-463-36-1X	Spicer/TTC	97-463-36-1X	A1205U1529	Rockwell/Meritor	416654	BBG7422	PAI	598
97-463-39	Spicer/TTC	714713	A1205U1685	Rockwell/Meritor	3905	BBG7423	PAI	766
9797	Dana/Eaton	9797	A1205U1737	Rockwell/Meritor	475012N	BBG7430	PAI	5760
9803	Dana/Eaton	493	A1205V1374	Rockwell/Meritor	473274N	BBG7432	PAI	H715340
9804	Dana/Eaton	498	A1205V1686	Rockwell/Meritor	CR543351	BBG7433	PAI	6466
98384	Dana/Eaton	JH211749	A1205W1349	Rockwell/Meritor	370023A	BBG7435	PAI	H715334
98385	Dana/Eaton	JH211710	A1205X960	Rockwell/Meritor	470574N	BBG7469	PAI	H715348P
98387	Dana/Eaton	JM511946	A1205Y727	Rockwell/Meritor	475012N	BBG7470	PAI	H715345
98388	Dana/Eaton	JM511910	A1228E1175	Rockwell/Meritor	A1228E1175	BBG7471	PAI	H414249
98-463-1	Spicer/TTC	415953	A1228G1307	Rockwell/Meritor	390A-902B1	BBG7473	PAI	6580
99041	Dana/Eaton	DRK-1A	A1228H1204	Rockwell/Meritor	119L	BBG7474	PAI	H414235
99042	Dana/Eaton	DRK-415	A1228H1308	Rockwell/Meritor	29675-902B7	BBG7490	PAI	497
99043	Dana/Eaton	DRK-18D	A1228K1207	Rockwell/Meritor	390A-902A8	BBG7510	PAI	576
99044	Dana/Eaton	DRK-64FD	A1228L1130	Rockwell/Meritor	JP10049	BBG7640	PAI	1211
99045	Dana/Eaton	DRK-193	A1228M1209	Rockwell/Meritor	29675-902B4	BBG7642	PAI	1213A
99046	Dana/Eaton	DRK-208A	A1228N326	Rockwell/Meritor	MU1015DCV	BBK7119	PAI	DRK-500
99048	Dana/Eaton	DRK-24	A1228R1266	Rockwell/Meritor	M7309GEXR	BBK7121	PAI	DRK-206
99049	Dana/Eaton	DRK-23	A1228S1345	Rockwell/Meritor	NP449281-NP357215	BBK7124	PAI	DRK-212F
99050	Dana/Eaton	DRK-23D	A1228T1346	Rockwell/Meritor	NP418109-NP525386	BBK7125	PAI	DRK-206
99051	Dana/Eaton	DRK-1	A1228U1347	Rockwell/Meritor	3782-3720	BBK7139	PAI	DRK-501
99052	Dana/Eaton	DRK-72	A1228Z572	Rockwell/Meritor	LM11949-90013	BBK7141	PAI	DRK-205
99053	Dana/Eaton	DRK-72A	A1805A157	Rockwell/Meritor	473228	BBK7142	PAI	DRK-502
99054	Dana/Eaton	DRK-64FE	A1805A261	Rockwell/Meritor	415272N	BBK7143	PAI	DRK-212R
99096	Dana/Eaton	DRK-18E	A1805A495	Rockwell/Meritor	415995	BBK7144	PAI	DRK-117
99348	Dana/Eaton	DRK-209A	A1805A573	Rockwell/Meritor	471341N	BBK7145	PAI	DRK-117A
99349	Dana/Eaton	DRK-413	A1805B158	Rockwell/Meritor	455151	BBK7153	PAI	DRK-503
99906	Dana/Eaton	594A	A1805B522	Rockwell/Meritor	CR540636	BCU7120	PAI	552A
A11228B600	Rockwell/Meritor	32021X	A1805B80	Rockwell/Meritor	35009N	BCU7122	PAI	49520

Interchanges

Rebuild Kits and Components Interchanges

Manufacturer Part #	Manufacturer	DT Components Part #
BCU7170	PAI	612
BCU7172	PAI	6320
BCU7350	PAI	HM516414B
BCU7351	PAI	47623AB
BCU7353	PAI	592A
BCU7354	PAI	752B
BCU7355	PAI	753A
BCU7390	PAI	47623A
BCU7410	PAI	5735
BCU7451	PAI	6535W
BCU7452	PAI	H414210
BCU7480	PAI	572
BCU7481	PAI	6420
BCU7482	PAI	H715310
BCU7500	PAI	492A
BCU7501	PAI	65500
BCU7502	PAI	653
BCU7820	PAI	H715313W
BCU7822	PAI	H414211W
BOS7310	PAI	415991N
BOS7690	PAI	415322N
BOS7695	PAI	4492V
BOS7697	PAI	4491V
BOS7740	PAI	415272N
BOS7741	PAI	415009
BSK7739	PAI	5578
CN-1	Federal Mogul	CN1
DK1	CR/SKF	DRK-1
DK111	CR/SKF	DRK-111
DK117	CR/SKF	DRK-117
DK11-FA	CR/SKF	DRK-11FA
DK11-R	CR/SKF	DRK-11R
DK170	CR/SKF	DRK-170
DK172-F	CR/SKF	DRK-172F
DK172-FA	CR/SKF	DRK-172FA
DK172-FB	CR/SKF	DRK-172FB
DK172-R	CR/SKF	DRK-172R
DK187-F	CR/SKF	DRK-187F
DK187-R	CR/SKF	DRK-187R
DK18-D	CR/SKF	DRK-18D
DK18-E	CR/SKF	DRK-18E
DK1910	CR/SKF	DRK-1910
DK191-F	CR/SKF	DRK-191F
DK191-R	CR/SKF	DRK-191R
DK192-FA	CR/SKF	DRK-192FB
DK192-FB	CR/SKF	DRK-192FB
DK192-FC	CR/SKF	DRK-192FC
DK192-RA	CR/SKF	DRK-192RA
DK192-RB	CR/SKF	DRK-192RB
DK193	CR/SKF	DRK-193
DK193-A	CR/SKF	DRK-193A
DK194-F	CR/SKF	DRK-194F
DK194-R	CR/SKF	DRK-194R
DK194-RA	CR/SKF	DRK-194RA
DK194-RB	CR/SKF	DRK-194RB
DK195	CR/SKF	DRK-195
DK196	CR/SKF	DRK-196
DK197-A	CR/SKF	DRK-197A
DK198	CR/SKF	DRK-198
DK1-A	CR/SKF	DRK-1A
DK200-F	CR/SKF	DRK-200F
DK200-FA	CR/SKF	DRK-200FA
DK201-F	CR/SKF	DRK-201F
DK201-FA	CR/SKF	DRK-201FA
DK201-R	CR/SKF	DRK-201R

Manufacturer Part #	Manufacturer	DT Components Part #
DK202	CR/SKF	DRK-202
DK203-F	CR/SKF	DRK-203F
DK204-F	CR/SKF	DRK-204F
DK204-R	CR/SKF	DRK-204R
DK205	CR/SKF	DRK-205
DK206	CR/SKF	DRK-206
DK207	CR/SKF	DRK-207
DK208	CR/SKF	DRK-208
DK209	CR/SKF	DRK-209
DK210	CR/SKF	DRK-210
DK211-F	CR/SKF	DRK-211F
DK212-F	CR/SKF	DRK-212F
DK212-R	CR/SKF	DRK-212R
DK213	CR/SKF	DRK-213
DK214	CR/SKF	DRK-214
DK215	CR/SKF	DRK-215
DK216	CR/SKF	DRK-216
DK217-F	CR/SKF	DRK-217F
DK217-R	CR/SKF	DRK-217R
DK218	CR/SKF	DRK-218
DK219-R	CR/SKF	DRK-219R
DK220-F	CR/SKF	DRK-220F
DK221	CR/SKF	DRK-221
DK222-F	CR/SKF	DRK-222F
DK222-R	CR/SKF	DRK-222R
DK223-F	CR/SKF	DRK-223F
DK223-R	CR/SKF	DRK-223R
DK224	CR/SKF	DRK-224
DK225	CR/SKF	DRK-225
DK23	CR/SKF	DRK-23
DK23-B	CR/SKF	DRK-23B
DK23-D	CR/SKF	DRK-23D
DK24	CR/SKF	DRK-24
DK28	CR/SKF	DRK-28
DK300	CR/SKF	DRK-300
DK301	CR/SKF	DRK-301
DK302	CR/SKF	DRK-302
DK303	CR/SKF	DRK-303
DK304	CR/SKF	DRK-304
DK310	CR/SKF	DRK-310
DK311	CR/SKF	DRK-311
DK311-F	CR/SKF	DRK-311F
DK311-J	CR/SKF	DRK-311J
DK312	CR/SKF	DRK-312
DK313	CR/SKF	DRK-313
DK314	CR/SKF	DRK-314
DK315	CR/SKF	DRK-315
DK316	CR/SKF	DRK-316
DK316-A	CR/SKF	DRK-316A
DK317	CR/SKF	DRK-317
DK320	CR/SKF	DRK-320
DK320-A	CR/SKF	DRK-320A
DK321	CR/SKF	DRK-321
DK321-A	CR/SKF	DRK-321A
DK321-B	CR/SKF	DRK-321B
DK321-C	CR/SKF	DRK-321C
DK321-H	CR/SKF	DRK-321H
DK322	CR/SKF	DRK-322
DK323	CR/SKF	DRK-323
DK323-A	CR/SKF	DRK-323A
DK324	CR/SKF	DRK-324
DK324-A	CR/SKF	DRK-324A
DK324-B	CR/SKF	DRK-324B
DK325	CR/SKF	DRK-325
DK325-A	CR/SKF	DRK-325A

Manufacturer Part #	Manufacturer	DT Components Part #
DK325-B	CR/SKF	DRK-325B
DK331	CR/SKF	DRK-331
DK332	CR/SKF	DRK-332
DK332-A	CR/SKF	DRK-332A
DK332-HD	CR/SKF	DRK-332HD
DK332-U	CR/SKF	DRK-332U
DK333	CR/SKF	DRK-333
DK334	CR/SKF	DRK-334
DK335	CR/SKF	DRK-335
DK335-J	CR/SKF	DRK-335J
DK336	CR/SKF	DRK-336
DK337	CR/SKF	DRK-337
DK337-A	CR/SKF	DRK-337A
DK338	CR/SKF	DRK-338
DK339	CR/SKF	DRK-339
DK339-A	CR/SKF	DRK-339A
DK339-B	CR/SKF	DRK-339B
DK339-C	CR/SKF	DRK-339C
DK340	CR/SKF	DRK-339B
DK400	CR/SKF	DRK-400
DK402	CR/SKF	DRK-402
DK403	CR/SKF	DRK-403
DK404-F	CR/SKF	DRK-404F
DK404-R	CR/SKF	DRK-404R
DK406	CR/SKF	DRK-406
DK4100	CR/SKF	DRK-4100
DK4130	CR/SKF	DRK-4130
DK4220	CR/SKF	DRK-4220
DK4240	CR/SKF	DRK-4240
DK4245	CR/SKF	DRK-4245
DK4255	CR/SKF	DRK-4255
DK4260	CR/SKF	DRK-4260
DK4270	CR/SKF	DRK-4270
DK4290	CR/SKF	DRK-4290
DK4300	CR/SKF	DRK-4300
DK4315	CR/SKF	DRK-4315
DK4325	CR/SKF	DRK-4325
DK4330	CR/SKF	DRK-4330
DK4345	CR/SKF	DRK-4345
DK4350	CR/SKF	DRK-4350
DK4360	CR/SKF	DRK-4360
DK4390	CR/SKF	DRK-4390
DK4395	CR/SKF	DRK-4395
DK4396	CR/SKF	DRK-4396
DK4405	CR/SKF	DRK-4405
DK4406	CR/SKF	DRK-4406
DK4415	CR/SKF	DRK-4415
DK4420	CR/SKF	DRK-4420
DK4422	CR/SKF	DRK-4422
DK4423	CR/SKF	DRK-4423
DK4426	CR/SKF	DRK-4426
DK4428	CR/SKF	DRK-4428
DK50	CR/SKF	DRK-50
DK50-A	CR/SKF	DRK-50A
DK64-F	CR/SKF	DRK-64F
DK64-FD	CR/SKF	DRK-64FD
DK64-FE	CR/SKF	DRK-64FE
DK72	CR/SKF	DRK-72
DK72-A	CR/SKF	DRK-72A
DK800	CR/SKF	DRK-800
DK900-F	CR/SKF	DRK-900F
DK900-FA	CR/SKF	DRK-900FA
DK9-F	CR/SKF	DRK-9F
DK9-R	CR/SKF	DRK-9R
DK9-RB	CR/SKF	DRK-9RB

Rebuild Kits and Components Interchanges

Manufacturer Part #	Manufacturer	DT Components Part #
DK9-RC	CR/SKF	DRK-9RC
GBG6011	PAI	B2416
GBG6023	PAI	JH307749
GBG6025	PAI	4559
GBG6027	PAI	458S
GBG6033	PAI	3780
GBG6035	PAI	JLM104948
GBG6037	PAI	LM501349
GBG6040	PAI	621
GBG6071	PAI	JH1818
GBG6072	PAI	WJ485424
GBG6083	PAI	118L
GBG6100	PAI	SCE2014P
GBG6102	PAI	B1612
GBG6132	PAI	M5209EL
GBG6133	PAI	SCH2216
GBG6580	PAI	308L
GBG6581	PAI	308LH
GBG6582	PAI	MU1308RUMW789
GBG6583	PAI	MU1308RUMW3
GBG6590	PAI	214SL
GBG6593	PAI	214L
GBG6594	PAI	214S
GBG6595	PAI	218L
GBG6601	PAI	206
GBG6610	PAI	1208L
GBG6612	PAI	MU1208RUMW3
GBG6620	PAI	MA1205EL
GBG6622	PAI	7205BG
GBG6624	PAI	MA1305TV
GBG6630	PAI	MA1209EL
GBG6631	PAI	M1209EL
GBG6640	PAI	J361648
GBG7319	PAI	83B043C3
GBG7321	PAI	MA1213EL
GBG7434	PAI	H715341
GBG9062	PAI	570
GBK6560	PAI	TRK-185
GBK6561	PAI	TRK-187
GBK6562	PAI	TRK-213
GBK6563	PAI	TRK-185
GBK6564	PAI	TRK-500
GBK6565	PAI	TRK-214MK
GBK6571	PAI	TRK-501
GBK6572	PAI	TRK-502
GBK6573	PAI	TRK-503
GBK6574	PAI	TRK-213SD
GBK6605	PAI	TRK-504
GBK6637	PAI	TRK-214MK1
GCU6024	PAI	JH307710
GCU6026	PAI	4535
GCU6028	PAI	453X
GCU6034	PAI	3720
GCU6036	PAI	JLM104910
GCU6038	PAI	LM501310
GCU7453	PAI	H715311
GCU9132	PAI	JH415610
GGA2993	PAI	OR-248
GGAHA100	Dana/Eaton	42584
GGAHA101	Dana/Eaton	493
GGAHA109	Dana/Eaton	M802011
GGAHB100	Dana/Eaton	42381
GGAHB101	Dana/Eaton	495
GGAHB102	Dana/Eaton	39590
GGAHB105	Dana/Eaton	HM807049

Manufacturer Part #	Manufacturer	DT Components Part #
GGAHB106	Dana/Eaton	M802048
GGAMD100	Dana/Eaton	MUSB1307UM
GGAKA101X	Dana/Eaton	DRK-213
GOS6182	PAI	7750
GOS6200	PAI	343186
GOS6201	PAI	240731
GOS6650	PAI	410312N
GOS6670	PAI	332134
GOS6720	PAI	2822V
GOS6950	PAI	415027N
GOS6951	PAI	713750
GSL6012	PAI	IR2016
GSP3101	PAI	MAR5209
GSP3104	PAI	IR1816
H500445	Dana/Eaton	3782
H715311	Rockwell/Meritor	H715311
H715334	Rockwell/Meritor	H715334
H715341	Rockwell/Meritor	H715341
H715343	Rockwell/Meritor	H715343
H715345	Rockwell/Meritor	H715345
HA100	Dana/Eaton	H715311
HA101	Dana/Eaton	56650
HA102	Dana/Eaton	3920
HA105	Dana/Eaton	6420
HB100	Dana/Eaton	6461A
HB101	Dana/Eaton	782
HB102	Dana/Eaton	56425
HB103	Dana/Eaton	H715343
HB104	Dana/Eaton	55175C
HB105	Dana/Eaton	3984
HB106	Dana/Eaton	H715343
HBG4840	PAI	596
HBG7570	PAI	HM516449
HCU4970	PAI	742
HCU5020	PAI	HM516410
HD100	Dana/Eaton	XLS5-1/8AF
HM516410	Rockwell/Meritor	HM516410
HM516449C	Rockwell/Meritor	HM516449C
HM803110	Rockwell/Meritor	HM803110
HM803146	Rockwell/Meritor	HM803146
HM803149	Rockwell/Meritor	HM803149
HM804810	Rockwell/Meritor	HM804810
HM804846	Rockwell/Meritor	HM804846
HM807010	Rockwell/Meritor	HM807010
HM807044	Rockwell/Meritor	HM807044
HM807046	Rockwell/Meritor	HM807046
HM813810	Rockwell/Meritor	HM813810
HM813841	Rockwell/Meritor	HM813841
HM813843	Rockwell/Meritor	HM813843
HM813844	Rockwell/Meritor	HM813844
HM903210	Rockwell/Meritor	HM903210
HM903216	Rockwell/Meritor	HM903216
HM903244	Rockwell/Meritor	HM903244
HM903249A	Rockwell/Meritor	HM903249A
JH211710	Rockwell/Meritor	JH211710
JH211749	Rockwell/Meritor	JH211749
JHM720210	Rockwell/Meritor	JHM720210
JHM720249	Rockwell/Meritor	JHM720249
JLM104910	Rockwell/Meritor	JLM104910
JLM710910	Rockwell/Meritor	JLM710910
JLM710949C	Rockwell/Meritor	JLM710949C
JLM714110	Rockwell/Meritor	JLM714110
JLM714149	Rockwell/Meritor	JLM714149
JM511910	Rockwell/Meritor	JM511910
JM511945	Rockwell/Meritor	JM511945

Manufacturer Part #	Manufacturer	DT Components Part #
JM511946	Rockwell/Meritor	JM511946
JM515610	Rockwell/Meritor	JM515610
JM515649	Rockwell/Meritor	JM515649
JM716610	Rockwell/Meritor	JM716610
JM716649	Rockwell/Meritor	JM716649
JM822010	Rockwell/Meritor	JM822010
JM822049	Rockwell/Meritor	JM822049
JP12010	Rockwell/Meritor	JP12010
JP12049	Rockwell/Meritor	JP12049
K1447	Eaton/Fuller	DTK1447
K1450	Eaton/Fuller	K-1450
K1554	Eaton/Fuller	TRK-1554
K1555	Eaton/Fuller	TRK-1555
K1603	Eaton/Fuller	K-1603
K1766	Eaton/Fuller	TRK-1766
K1782	Eaton/Fuller	K-1782
K1846	Eaton/Fuller	K-1846
K1850	Eaton/Fuller	TRK-1850
K1851	Eaton/Fuller	TRK-1851
K1852	Eaton/Fuller	TRK-1852
K1855	Eaton/Fuller	TRK-1855
K1857	Eaton/Fuller	TRK-1857
K1858	Eaton/Fuller	TRK-1858
K1859	Eaton/Fuller	TRK-1859
K1860	Eaton/Fuller	TRK-1860
K1861	Eaton/Fuller	TRK-1861
K1862	Eaton/Fuller	TRK-1862
K1863	Eaton/Fuller	TRK-1863
K1864	Eaton/Fuller	TRK-1864
K1866	Eaton/Fuller	TRK-1866
K1870	Eaton/Fuller	TRK-1870
K1871	Eaton/Fuller	TRK-1871
K1872	Eaton/Fuller	TRK-1872
K1873	Eaton/Fuller	TRK-1873
K1874	Eaton/Fuller	TRK-1874
K1875	Eaton/Fuller	TRK-1875
K1876	Eaton/Fuller	TRK-1876
K1877	Eaton/Fuller	TRK-1877
K1931	Eaton/Fuller	K-1931
K1993	Eaton/Fuller	TRK-1993
K2002	Eaton/Fuller	K-2002
K2041	Eaton/Fuller	TRK-2041
K2043	Eaton/Fuller	TRK-2043
K2045	Eaton/Fuller	TRK-2045
K2047	Eaton/Fuller	TRK-2047
K2048	Eaton/Fuller	TRK-2048
K2049	Eaton/Fuller	TRK-2049
K2054	Eaton/Fuller	K-2054
K2061	Eaton/Fuller	K-2061
K2085	Eaton/Fuller	K-2085
K2110	Eaton/Fuller	K-2110
K2116	Eaton/Fuller	DTK2805
K2120	Eaton/Fuller	TRK-2120
K2121	Eaton/Fuller	TRK-2121
K2122	Eaton/Fuller	TRK-2122
K2123	Eaton/Fuller	TRK-2123
K2124	Eaton/Fuller	TRK-2124
K2125	Eaton/Fuller	TRK-2125
K2126	Eaton/Fuller	TRK-2126
K2127	Eaton/Fuller	TRK-2127
K2128	Eaton/Fuller	TRK-2128
K2129	Eaton/Fuller	TRK-2129
K2130	Eaton/Fuller	TRK-2130
K2131	Eaton/Fuller	TRK-2131
K2143	Eaton/Fuller	K-2143

Interchanges

Rebuild Kits and Components Interchanges

Manufacturer Part #	Manufacturer	DT Components Part #	Manufacturer Part #	Manufacturer	DT Components Part #	Manufacturer Part #	Manufacturer	DT Components Part #
K2172	Eaton/Fuller	K-2172	K3355	Eaton/Fuller	TRK-3355	KIT4120	Rockwell/Meritor	DRK-203F
K2181	Eaton/Fuller	K-2181	K3407	Eaton/Fuller	K-3407	KIT4125	Rockwell/Meritor	DRK-4125
K2183	Eaton/Fuller	DTK2183	K3413	Eaton/Fuller	TRK-3413	KIT4130	Rockwell/Meritor	DRK-4130
K2199	Eaton/Fuller	K-2199	K3423	Eaton/Fuller	TRK-3423	KIT4135	Rockwell/Meritor	DRK-4135
K2256	Eaton/Fuller	DTK2256	K3426	Eaton/Fuller	TRK-3426	KIT4140	Rockwell/Meritor	DRK-4140
K2262	Eaton/Fuller	DTK2262	K3458	Eaton/Fuller	K-3458	KIT4145	Rockwell/Meritor	DRK-4145
K2275	Eaton/Fuller	TRK-2275	K3460	Eaton/Fuller	TRK-3460	KIT4150	Rockwell/Meritor	DRK-4150
K2277	Eaton/Fuller	TRK-2277	K3462	Eaton/Fuller	TRK-3462	KIT4155	Rockwell/Meritor	DRK-4155
K2280	Eaton/Fuller	TRK-2280	K3484	Eaton/Fuller	K-3484	KIT4165	Rockwell/Meritor	DRK-11FA
K2281	Eaton/Fuller	TRK-2281	K3485	Eaton/Fuller	K-3485	KIT4170	Rockwell/Meritor	DRK-11FA
K2282	Eaton/Fuller	TRK-2282	K3509	Eaton/Fuller	K-3509	KIT4175	Rockwell/Meritor	DRK-11FA
K2283	Eaton/Fuller	TRK-2283	K3510	Eaton/Fuller	K-3510	KIT4180	Rockwell/Meritor	DRK-4180
K2284	Eaton/Fuller	TRK-2284	K3518	Eaton/Fuller	K-3518	KIT4185	Rockwell/Meritor	DRK-11R
K2285	Eaton/Fuller	TRK-2285	K3532	Eaton/Fuller	K-3532	KIT4190	Rockwell/Meritor	DRK-4190
K2286	Eaton/Fuller	TRK-2286	K3552	Eaton/Fuller	K-3552	KIT4195	Rockwell/Meritor	DRK-11R
K2287	Eaton/Fuller	TRK-2287	K3553	Eaton/Fuller	TRK-3553	KIT4205	Rockwell/Meritor	DRK-187F
K2288	Eaton/Fuller	TRK-2288	K3575	Eaton/Fuller	K-3575	KIT4210	Rockwell/Meritor	DRK-187R
K2295	Eaton/Fuller	K-2295	K3583	Eaton/Fuller	K-3583	KIT4215	Rockwell/Meritor	DRK-187F
K2298	Eaton/Fuller	K-2298	K3584	Eaton/Fuller	K-3584	KIT4220	Rockwell/Meritor	DRK-4220
K2338	Eaton/Fuller	TRK-2338	K3586	Eaton/Fuller	TRK-3586	KIT4230	Rockwell/Meritor	DRK-204F
K2340	Eaton/Fuller	TRK-2340	K3593	Eaton/Fuller	K-3593	KIT4235	Rockwell/Meritor	DRK-204R
K2425	Eaton/Fuller	K-2425	K3594	Eaton/Fuller	K-3594	KIT4240	Rockwell/Meritor	DRK-4240
K2430	Eaton/Fuller	DTK2805	K3596	Eaton/Fuller	TRK-3596	KIT4245	Rockwell/Meritor	DRK-4245
K2464	Eaton/Fuller	TRK-2464	K3598	Eaton/Fuller	TRK-3598	KIT4255	Rockwell/Meritor	DRK-4255
K2465	Eaton/Fuller	K-2465	K3653	Eaton/Fuller	TRK-3653	KIT4260	Rockwell/Meritor	DRK-4260
K2490	Eaton/Fuller	TRK-2490	K3659	Eaton/Fuller	TRK-3659	KIT4265	Rockwell/Meritor	DRK-1910
K2759	Eaton/Fuller	TRK-2759	K3660	Eaton/Fuller	TRK-3660	KIT4270	Rockwell/Meritor	DRK-4270
K2768	Eaton/Fuller	TRK-2768	K7001	Eaton/Fuller	K-7001	KIT4290	Rockwell/Meritor	DRK-4290
K2769	Eaton/Fuller	TRK-2769	K7028	Eaton/Fuller	K-7028	KIT4295	Rockwell/Meritor	DRK-4295
K2771	Eaton/Fuller	TRK-2771	K7030	Eaton/Fuller	K-7030	KIT4300	Rockwell/Meritor	DRK-4300
K2772	Eaton/Fuller	TRK-2772	K7032	Eaton/Fuller	TRK-7032	KIT4310	Rockwell/Meritor	DRK-4310
K2773	Eaton/Fuller	TRK-2773	K7033	Eaton/Fuller	TRK-7033	KIT4315	Rockwell/Meritor	DRK-4315
K2780	Eaton/Fuller	TRK-2780	K7035	Eaton/Fuller	TRK-7035	KIT4325	Rockwell/Meritor	DRK-4325
K2802	Eaton/Fuller	K-2802	K7052	Eaton/Fuller	TRK-7052	KIT4330	Rockwell/Meritor	DRK-4330
K2804	Eaton/Fuller	K-2804	KBG10030	PAI	740	KIT4340	Rockwell/Meritor	DRK-218
K2805	Eaton/Fuller	DTK2805	KIT1918	Rockwell/Meritor	DRK-1918	KIT4345	Rockwell/Meritor	DRK-4345
K2839	Eaton/Fuller	K-2839	KIT1925	Rockwell/Meritor	DRK-1925	KIT4350	Rockwell/Meritor	DRK-4350
K2846	Eaton/Fuller	K-2846	KIT1925A	Rockwell/Meritor	DRK-1925A	KIT4355	Rockwell/Meritor	DRK-4355
K2847	Eaton/Fuller	TRK-2847	KIT1926	Rockwell/Meritor	DRK-1926	KIT4356	Rockwell/Meritor	DRK-4356
K2855	Eaton/Fuller	TRK-2855	KIT1935	Rockwell/Meritor	DRK-600	KIT4360	Rockwell/Meritor	DRK-4360
K2860	Eaton/Fuller	K-2860	KIT1984	Rockwell/Meritor	DRK-1984	KIT4365	Rockwell/Meritor	DRK-216
K2865	Eaton/Fuller	TRK-2865	KIT2108	Rockwell/Meritor	DRK-2108	KIT4370	Rockwell/Meritor	DRK-225
K2870	Eaton/Fuller	K-2870	KIT2111	Rockwell/Meritor	DRK-2111	KIT4375	Rockwell/Meritor	DRK-4375
K2918	Eaton/Fuller	DT2918	KIT2119	Rockwell/Meritor	DRK-194RA	KIT4385	Rockwell/Meritor	DRK-224
K2921	Eaton/Fuller	K-2921	KIT4005	Rockwell/Meritor	DRK-9RC	KIT4390	Rockwell/Meritor	DRK-4390
K2923	Eaton/Fuller	K-2923	KIT4010	Rockwell/Meritor	DRK-9RB	KIT4395	Rockwell/Meritor	DRK-4395
K2924	Eaton/Fuller	TRK-2924	KIT4015	Rockwell/Meritor	DRK-900F	KIT4396	Rockwell/Meritor	DRK-4396
K2996	Eaton/Fuller	TRK-2996	KIT4020	Rockwell/Meritor	DRK-9F	KIT4400	Rockwell/Meritor	DRK-217R
K2997	Eaton/Fuller	TRK-2997	KIT4025	Rockwell/Meritor	DRK-9R	KIT4405	Rockwell/Meritor	DRK-4405
K2998	Eaton/Fuller	TRK-2998	KIT4035	Rockwell/Meritor	DRK-194F	KIT4406	Rockwell/Meritor	DRK-4406
K3132	Eaton/Fuller	TRK-3132	KIT4040	Rockwell/Meritor	DRK-194R	KIT4415	Rockwell/Meritor	DRK-4415
K3233	Eaton/Fuller	TRK-3233	KIT4045	Rockwell/Meritor	DRK-194RA	KIT4420	Rockwell/Meritor	DRK-4420
K3256	Eaton/Fuller	TRK-3256	KIT4050	Rockwell/Meritor	DRK-194RA	KIT4422	Rockwell/Meritor	DRK-4422
K3273	Eaton/Fuller	TRK-3273	KIT4055	Rockwell/Meritor	DRK-194F	KIT4423	Rockwell/Meritor	DRK-4423
K3283	Eaton/Fuller	TRK-3283	KIT4060	Rockwell/Meritor	DRK-194RB	KIT4426	Rockwell/Meritor	DRK-4426
K3286	Eaton/Fuller	TRK-3286	KIT4065	Rockwell/Meritor	DRK-194RB	KIT4428	Rockwell/Meritor	DRK-4428
K3288	Eaton/Fuller	K-3288	KIT4075	Rockwell/Meritor	DRK-172R	KIT4435	Rockwell/Meritor	DRK-4435
K3322	Eaton/Fuller	TRK-3322	KIT4080	Rockwell/Meritor	DRK-172FB	KIT4436	Rockwell/Meritor	DRK-4436
K3340	Eaton/Fuller	TRK-3340	KIT4085	Rockwell/Meritor	DRK-172F	KIT4437	Rockwell/Meritor	DRK-4437
K3341	Eaton/Fuller	K-3341	KIT4090	Rockwell/Meritor	DRK-NA	KIT4438	Rockwell/Meritor	DRK-4438
K3343	Eaton/Fuller	TRK-3343	KIT4095	Rockwell/Meritor	DRK-4095	KIT4440	Rockwell/Meritor	DRK-4440
K3344	Eaton/Fuller	TRK-3344	KIT4100	Rockwell/Meritor	DRK-4100	KIT4441	Rockwell/Meritor	DRK-4441
K3346	Eaton/Fuller	TRK-3346	KIT4105	Rockwell/Meritor	DRK-4105	KIT4442	Rockwell/Meritor	DRK-4442
K3348	Eaton/Fuller	TRK-3348	KIT4110	Rockwell/Meritor	DRK-50	KIT4443	Rockwell/Meritor	DRK-4443
K3351	Eaton/Fuller	TRK-3351	KIT4115	Rockwell/Meritor	DRK-50A	KIT4444	Rockwell/Meritor	DRK-4444

Interchanges

Rebuild Kits and Components Interchanges



Manufacturer Part #	Manufacturer	DT Components Part #
KIT4450	Rockwell/Meritor	DRK-4450
KIT4459	Rockwell/Meritor	DRK-4435
KIT4460	Rockwell/Meritor	DRK-4436
KIT4461	Rockwell/Meritor	DRK-4461
KIT4753	Rockwell/Meritor	DRK-4753
KIT5291	Rockwell/Meritor	KIT5291
KIT5329	Rockwell/Meritor	KIT5329
KIT5331	Rockwell/Meritor	KIT5331
KIT5356	Rockwell/Meritor	TRK-5356
KIT5357	Rockwell/Meritor	TRK-5357
KIT5358	Rockwell/Meritor	TRK-5358
KIT5364	Rockwell/Meritor	KIT5364
KIT5389	Rockwell/Meritor	KIT5389
KIT5401	Rockwell/Meritor	KIT5401
KIT5404	Rockwell/Meritor	KIT5404
KIT5406	Rockwell/Meritor	TRK-5406
LM104949	Rockwell/Meritor	LM104949
LM603011	Rockwell/Meritor	LM603011
LM603049	Rockwell/Meritor	LM603049
LM603049 Assy 902B6	Timken	A1400
M10HB101	Dana/Eaton	HM212049
M10HB105	Dana/Eaton	749
M10HB109	Dana/Eaton	787
M804010	Rockwell/Meritor	M804010
M804049	Rockwell/Meritor	M804049
M86610	Rockwell/Meritor	M86610
M86649	Rockwell/Meritor	M86649
M903310	Rockwell/Meritor	M903310
M903345	Rockwell/Meritor	M903345
MJAJA100	Dana/Eaton	JM822010
MJAJA101	Dana/Eaton	55437
MJAJA103	Dana/Eaton	JM716610
MJAHB100	Dana/Eaton	JM822049
MJAHB101	Dana/Eaton	55200C
MJAHB103	Dana/Eaton	JM716649
MJAH100	Dana/Eaton	MUB1308UM
MJAKA101-X	Dana/Eaton	DRK-214
NL110-1	Rockwell/Meritor	NL110-1
NL17-1	Rockwell/Meritor	NL17-1
NL25-1	Rockwell/Meritor	NL25-1
NP022042	Rockwell/Meritor	NP022042
NP579116	Rockwell/Meritor	NP579116
NP718759	Rockwell/Meritor	NP718759
NP928171	Rockwell/Meritor	NP928171
RA-1	Federal Mogul	DRK-1
RA-11-R	Federal Mogul	DRK-11R
RA-170	Federal Mogul	DRK-170
RA-172-FA	Federal Mogul	DRK-172FA
RA-172-FB	Federal Mogul	DRK-172FB
RA-172-R	Federal Mogul	DRK-172R
RA-18-D	Federal Mogul	DRK-18D
RA-18-E	Federal Mogul	DRK-18E
RA-1910	Federal Mogul	DRK-1910
RA-191-R	Federal Mogul	DRK-191R
RA-192-FB	Federal Mogul	DRK-192FB
RA-192-RB	Federal Mogul	DRK-192RB
RA-193	Federal Mogul	DRK-193
RA-193-A	Federal Mogul	DRK-193A
RA-194-F	Federal Mogul	DRK-194F
RA-194-R	Federal Mogul	DRK-194R
RA-194-RA	Federal Mogul	DRK-194RA
RA-194-RB	Federal Mogul	DRK-194RB
RA-196	Federal Mogul	DRK-196
RA-1-A	Federal Mogul	DRK-1A
RA-200-F	Federal Mogul	DRK-200F

Manufacturer Part #	Manufacturer	DT Components Part #
RA-200-FA	Federal Mogul	DRK-200FA
RA-201-F	Federal Mogul	DRK-201F
RA-201-FA	Federal Mogul	DRK-201FA
RA-201-R	Federal Mogul	DRK-201R
RA-202	Federal Mogul	DRK-202
RA-203-F	Federal Mogul	DRK-203F
RA-205	Federal Mogul	DRK-205
RA-206	Federal Mogul	DRK-206
RA-207	Federal Mogul	DRK-207
RA-208	Federal Mogul	DRK-208
RA-210	Federal Mogul	DRK-210
RA-211-F	Federal Mogul	DRK-211F
RA-213	Federal Mogul	DRK-213
RA-214	Federal Mogul	DRK-214
RA-216	Federal Mogul	DRK-216
RA-217-F	Federal Mogul	DRK-217F
RA-217-R	Federal Mogul	DRK-217R
RA-218	Federal Mogul	DRK-218
RA-219-R	Federal Mogul	DRK-219R
RA-221	Federal Mogul	DRK-221
RA-222-F	Federal Mogul	DRK-222F
RA-222-R	Federal Mogul	DRK-222R
RA-223-F	Federal Mogul	DRK-223F
RA-223-R	Federal Mogul	DRK-223R
RA-224	Federal Mogul	DRK-224
RA-225	Federal Mogul	DRK-225
RA-23	Federal Mogul	DRK-23
RA-23-B	Federal Mogul	DRK-23B
RA-23-D	Federal Mogul	DRK-23D
RA-24	Federal Mogul	DRK-24
RA-28	Federal Mogul	DRK-28
RA-300	Federal Mogul	DRK-300
RA-301	Federal Mogul	DRK-301
RA-302	Federal Mogul	DRK-302
RA-303	Federal Mogul	DRK-303
RA-303-MK	Federal Mogul	DRK-303MK
RA-304	Federal Mogul	DRK-304
RA-304-A	Federal Mogul	DRK-304A
RA-304-MK	Federal Mogul	DRK-304MK
RA-310	Federal Mogul	DRK-310
RA-311	Federal Mogul	DRK-311
RA-311-J	Federal Mogul	DRK-311J
RA-311-MK	Federal Mogul	DRK-311MK
RA-312	Federal Mogul	DRK-312
RA-313	Federal Mogul	DRK-313
RA-313-MK	Federal Mogul	DRK-313MK
RA-314	Federal Mogul	DRK-314
RA-314-MK	Federal Mogul	DRK-314MK
RA-315	Federal Mogul	DRK-315
RA-320	Federal Mogul	DRK-320
RA-320-A	Federal Mogul	DRK-320A
RA-320-B	Federal Mogul	DRK-320C
RA-320-MK	Federal Mogul	DRK-320MK
RA-321	Federal Mogul	DRK-321
RA-321-A	Federal Mogul	DRK-321A
RA-321-C	Federal Mogul	DRK-321C
RA-321-MK	Federal Mogul	DRK-321MK
RA-322	Federal Mogul	DRK-322
RA-322-MK	Federal Mogul	DRK-322MK
RA-323	Federal Mogul	DRK-323
RA-324	Federal Mogul	DRK-324
RA-324-A	Federal Mogul	DRK-324A
RA-324-AMK	Federal Mogul	DRK-324AMK
RA-324-B	Federal Mogul	DRK-324B
RA-324-MK	Federal Mogul	DRK-324MK

Manufacturer Part #	Manufacturer	DT Components Part #
RA-325	Federal Mogul	DRK-325
RA-325-A	Federal Mogul	DRK-325A
RA-325-AMK	Federal Mogul	DRK-325AMK
RA-325-B	Federal Mogul	DRK-325B
RA-325-MK	Federal Mogul	DRK-325MK
RA-326	Federal Mogul	DRK-326
RA-327	Federal Mogul	DRK-320D
RA-331	Federal Mogul	DRK-331
RA-331-A	Federal Mogul	DRK-331B
RA-331-MK	Federal Mogul	DRK-331MK
RA-332	Federal Mogul	DRK-332
RA-332-HD	Federal Mogul	DRK-332HD
RA-332-U	Federal Mogul	DRK-332U
RA-333	Federal Mogul	DRK-333
RA-334	Federal Mogul	DRK-334
RA-334-TJ	Federal Mogul	DRK-334TJ
RA-335	Federal Mogul	DRK-335
RA-335-J	Federal Mogul	DRK-335J
RA-336	Federal Mogul	DRK-336
RA-337	Federal Mogul	DRK-337
RA-338	Federal Mogul	DRK-338
RA-339	Federal Mogul	DRK-339
RA-339-A	Federal Mogul	DRK-339A
RA-339-C	Federal Mogul	DRK-339C
RA-350	Federal Mogul	DRK-350
RA-350-MK	Federal Mogul	DRK-T750MK
RA-351	Federal Mogul	DRK-351
RA-351-MK	Federal Mogul	DRK-T800MK
RA-352	Federal Mogul	DRK-352
RA-352-MK	Federal Mogul	DRK-T8V6MK
RA-400	Federal Mogul	DRK-400
RA-401	Federal Mogul	DRK-401
RA-402	Federal Mogul	DRK-402
RA-403	Federal Mogul	DRK-403
RA-404-F	Federal Mogul	DRK-404F
RA-404-R	Federal Mogul	DRK-404R
RA-405-F	Federal Mogul	DRK-405F
RA-405-R	Federal Mogul	DRK-405R
RA-406	Federal Mogul	DRK-406
RA-407	Federal Mogul	DRK-407
RA-408	Federal Mogul	DRK-408
RA-409	Federal Mogul	DRK-409
RA-410	Federal Mogul	DRK-410
RA-4100	Federal Mogul	DRK-4100
RA-4130	Federal Mogul	DRK-4130
RA-4135	Federal Mogul	DRK-4135
RA-4220	Federal Mogul	DRK-4220
RA-4240	Federal Mogul	DRK-4240
RA-4245	Federal Mogul	DRK-4245
RA-4255	Federal Mogul	DRK-4255
RA-4260	Federal Mogul	DRK-4260
RA-4270	Federal Mogul	DRK-4270
RA-4290	Federal Mogul	DRK-4290
RA-4300	Federal Mogul	DRK-4300
RA-4315	Federal Mogul	DRK-4315
RA-4325	Federal Mogul	DRK-4325
RA-4330	Federal Mogul	DRK-4330
RA-4345	Federal Mogul	DRK-4345
RA-4350	Federal Mogul	DRK-4350
RA-4356	Federal Mogul	DRK-4356
RA-4360	Federal Mogul	DRK-4360
RA-4375	Federal Mogul	DRK-4375
RA-4390	Federal Mogul	DRK-4390
RA-4395	Federal Mogul	DRK-4395
RA-4396	Federal Mogul	DRK-4396

Rebuild Kits and Components Interchanges

Manufacturer Part #	Manufacturer	DT Components Part #	Manufacturer Part #	Manufacturer	DT Components Part #	Manufacturer Part #	Manufacturer	DT Components Part #
RA-4405	Federal Mogul	DRK-4405	T-194	Federal Mogul	TRK-194	T-7033	Federal Mogul	TRK-7033
RA-4406	Federal Mogul	DRK-4406	T-197	Federal Mogul	TRK-197	T-7035	Federal Mogul	TRK-7035
RA-4415	Federal Mogul	DRK-4415	T-202	Federal Mogul	TRK-202	T-7052	Federal Mogul	TRK-7052
RA-4420	Federal Mogul	DRK-4420	T-203	Federal Mogul	TRK-203	T-72	Federal Mogul	TRK-72
RA-4422	Federal Mogul	DRK-4422	T-2043	Federal Mogul	TRK-2043	T-73	Federal Mogul	TRK-73
RA-4423	Federal Mogul	DRK-4423	T-2047	Federal Mogul	TRK-2047	T-82	Federal Mogul	TRK-82
RA-4426	Federal Mogul	DRK-4426	T-205	Federal Mogul	TRK-205	T-82-D	Federal Mogul	TRK-82D
RA-4428	Federal Mogul	DRK-4428	T-206	Federal Mogul	TRK-206	T-82-F	Federal Mogul	TRK-82F
RA-4435	Federal Mogul	DRK-4435	T-207	Federal Mogul	TRK-207	T-82-FD	Federal Mogul	TRK-82FD
RA-4436	Federal Mogul	DRK-4436	T-208	Federal Mogul	TRK-208	T-86	Federal Mogul	TRK-86
RA-4437	Federal Mogul	DRK-4437	T-208-D	Federal Mogul	TRK-208D	TK1000	CR/SKF	TRK-1000
RA-4438	Federal Mogul	DRK-4438	T-209	Federal Mogul	TCRK-203	TK127	CR/SKF	TRK-127
RA-4440	Federal Mogul	DRK-4440	T-210	Federal Mogul	TRK-210	TK132	CR/SKF	TRK-132
RA-4450	Federal Mogul	DRK-4450	T-212	Federal Mogul	TCRK-208	TK145	CR/SKF	TRK-145
RA-50	Federal Mogul	DRK-50	T-212-FA	Federal Mogul	TCRK-208FA	TK145-A	CR/SKF	TRK-145A
RA-64-FD	Federal Mogul	DRK-64FD	T-213	Federal Mogul	TRK-213	TK146	CR/SKF	TRK-146
RA-64-FE	Federal Mogul	DRK-64FE	T-214	Federal Mogul	TRK-214	TK147	CR/SKF	TRK-147
RA-72-A	Federal Mogul	DRK-72A	T-220	Federal Mogul	TCRK-229	TK148	CR/SKF	TRK-148
RA-900-F	Federal Mogul	DRK-900F	T-221	Federal Mogul	TRK-221	TK149	CR/SKF	TRK-149
RA-900-FA	Federal Mogul	DRK-900FA	T-222	Federal Mogul	TRK-222	TK152	CR/SKF	TRK-152
RA-9-R	Federal Mogul	DRK-9R	T-223	Federal Mogul	TRK-2131	TK155	CR/SKF	TRK-155
RA-9-RB	Federal Mogul	DRK-9RB	T-224	Federal Mogul	TRK-2041	TK156	CR/SKF	TRK-156
RA-9-RC	Federal Mogul	DRK-9RC	T-226	Federal Mogul	TRK-226	TK157	CR/SKF	TRK-157A
RSK1554	CR/SKF	TRK-149AUX	T-2284	Federal Mogul	TRK-2284	TK158	CR/SKF	TRK-158
RSK1555	CR/SKF	TRK-1000AUX	T-2286	Federal Mogul	TRK-2286	TK159	CR/SKF	TRK-159
ST2161	Dana/Eaton	47820	T-2287	Federal Mogul	TRK-2287	TK159-A	CR/SKF	TRK-159A
ST2162	Dana/Eaton	47890	T-2288	Federal Mogul	TRK-2288	TK160	CR/SKF	TRK-160
ST264	Dana/Eaton	210	T-23	Federal Mogul	TRK-23	TK161	CR/SKF	TRK-161
ST741	Dana/Eaton	122L	T-230	Federal Mogul	TCRK-231	TK165	CR/SKF	TRK-165
ST791	Dana/Eaton	3877	T-230-A	Federal Mogul	TCRK-231CC	TK166-A	CR/SKF	TRK-166A
ST951	Dana/Eaton	3820	T-230-B	Federal Mogul	TCRK-231EE	TK167	CR/SKF	TRK-167
T-1000	Federal Mogul	TRK-1000	T-23-B	Federal Mogul	TRK-23B	TK169	CR/SKF	TRK-169
T-1000-AUX	Federal Mogul	TRK-1000AUX	T-240	Federal Mogul	TCRK-241	TK172	CR/SKF	TRK-172
T-127	Federal Mogul	TRK-127	T-240-A	Federal Mogul	TCRK-241BB	TK172-FG	CR/SKF	TRK-172FG
T-127-F	Federal Mogul	TRK-127F	T-240-B	Federal Mogul	TCRK-241BB	TK174	CR/SKF	TRK-174
T-127-G	Federal Mogul	TRK-127G	T-240-C	Federal Mogul	TCRK-242AA	TK176	CR/SKF	TRK-176
T-145	Federal Mogul	TRK-145	T-2490	Federal Mogul	TRK-2490	TK177	CR/SKF	TRK-177
T-145-A	Federal Mogul	TRK-145A	T-25	Federal Mogul	TRK-25	TK178	CR/SKF	TRK-178
T-146	Federal Mogul	TRK-146	T-27	Federal Mogul	TRK-27	TK179	CR/SKF	TRK-179
T-147	Federal Mogul	TRK-147	T-2773	Federal Mogul	TRK-2773	TK180	CR/SKF	TRK-180
T-148	Federal Mogul	TRK-148	T-28	Federal Mogul	TRK-28	TK181	CR/SKF	TRK-181
T-149	Federal Mogul	TRK-149	T-2865	Federal Mogul	TRK-2865	TK182	CR/SKF	TRK-182
T-149-AUX	Federal Mogul	TRK-149AUX	T-29	Federal Mogul	TRK-29	TK183	CR/SKF	TRK-183
T-152	Federal Mogul	TRK-152	T-29-B	Federal Mogul	TRK-29B	TK184	CR/SKF	TRK-184
T-155	Federal Mogul	TRK-155	T-3	Federal Mogul	TRK-3	TK185	CR/SKF	TRK-185
T-156	Federal Mogul	TRK-156	T-3233	Federal Mogul	TRK-3233	TK186	CR/SKF	TRK-186
T-157	Federal Mogul	TRK-157L	T-3256	Federal Mogul	TRK-3256	TK187	CR/SKF	TRK-187
T-157-A	Federal Mogul	TRK-157A	T-3340	Federal Mogul	TRK-3340	TK188	CR/SKF	TRK-188
T-158	Federal Mogul	TRK-158	T-3348	Federal Mogul	TRK-3348	TK190	CR/SKF	TRK-190
T-159	Federal Mogul	TRK-159	T-340	Federal Mogul	TCRK-1345	TK191	CR/SKF	TRK-191
T-159-A	Federal Mogul	TRK-159A	T-350	Federal Mogul	TCRK-1350	TK192	CR/SKF	TRK-192
T-160	Federal Mogul	TRK-160	T-370	Federal Mogul	TCRK-1356	TK194	CR/SKF	TRK-194
T-161	Federal Mogul	TRK-161	T-390-F	Federal Mogul	TRK-390F	TK2	CR/SKF	TRK-2
T-166-A	Federal Mogul	TRK-166A	T-390-G	Federal Mogul	TRK-390G	TK201	CR/SKF	TRK-201
T-167	Federal Mogul	TRK-167	T-390-H	Federal Mogul	TRK-390H	TK202	CR/SKF	TRK-202
T-172	Federal Mogul	TRK-172	T-395-F	Federal Mogul	TRK-395F	TK203	CR/SKF	TRK-203
T-172-FG	Federal Mogul	TRK-172FG	T-395-G	Federal Mogul	TRK-395G	TK-203	Federal Mogul	DTK-203F
T-179	Federal Mogul	TRK-179	T-395-H	Federal Mogul	TRK-395H	TK204	CR/SKF	TRK-204
T-180	Federal Mogul	TRK-180	T-4500-DN	Federal Mogul	TRK-4500DN	TK205	CR/SKF	TRK-205
T-182	Federal Mogul	TRK-182	T-4500-GMN	Federal Mogul	TRK-4500GMN	TK-205	Federal Mogul	DTK-205G
T-183	Federal Mogul	TRK-183	T-470	Federal Mogul	TCRK-4470	TK206	CR/SKF	TRK-206
T-186	Federal Mogul	TRK-186	T-472	Federal Mogul	TCRK-1372	TK207	CR/SKF	TRK-207
T-187	Federal Mogul	TRK-187	T-58	Federal Mogul	TRK-58	TK208	CR/SKF	TRK-208
T-190	Federal Mogul	TRK-190	T-70	Federal Mogul	TRK-70	TK208-D	CR/SKF	TRK-208D
T-192	Federal Mogul	TRK-192	T-7032	Federal Mogul	TRK-7032	TK209	CR/SKF	TRK-209

Rebuild Kits and Components Interchanges

Manufacturer Part #	Manufacturer	DT Components Part #	Manufacturer Part #	Manufacturer	DT Components Part #	Manufacturer Part #	Manufacturer	DT Components Part #
TK210	CR/SKF	TRK-210						
TK211	CR/SKF	TRK-211						
TK213	CR/SKF	TRK-213						
TK215	CR/SKF	TCRK-1345						
TK23	CR/SKF	TRK-23						
TK27	CR/SKF	TRK-27						
TK28	CR/SKF	TRK-28						
TK29	CR/SKF	TRK-29						
TK29-B	CR/SKF	TRK-29B						
TK3	CR/SKF	TRK-3						
TK390-F	CR/SKF	TRK-390F						
TK390-G	CR/SKF	TRK-390G						
TK390-H	CR/SKF	TRK-390H						
TK395-F	CR/SKF	TRK-395F						
TK395-G	CR/SKF	TRK-395G						
TK395-H	CR/SKF	TRK-395H						
TK400	CR/SKF	TRK-300ZF						
TK401	CR/SKF	TCRK-207						
TK402	CR/SKF	TCRK-1356						
TK403	CR/SKF	TRK-12						
TK45	CR/SKF	TRK-45						
TK48	CR/SKF	TRK-48						
TK50	CR/SKF	TRK-50						
TK58	CR/SKF	TRK-58						
TK58-A	CR/SKF	TRK-58A						
TK70	CR/SKF	TRK-70						
TK72	CR/SKF	TRK-72						
TK73	CR/SKF	TRK-73						
TK74	CR/SKF	TRK-74						
TK82	CR/SKF	TRK-82						
TK82-D	CR/SKF	TRK-82D						
TK82-F	CR/SKF	TRK-82F						
TK82-FD	CR/SKF	TRK-82FD						
TK86	CR/SKF	TRK-86						

Interchanges



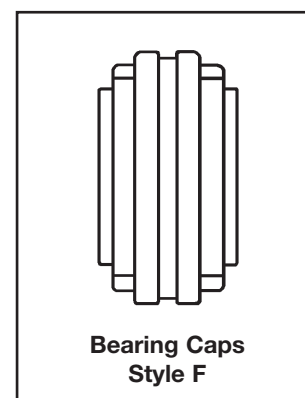
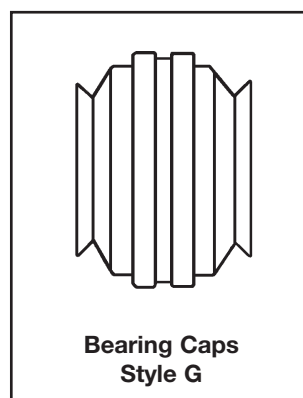
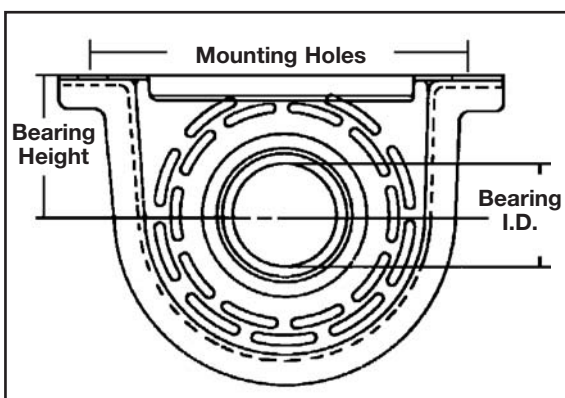
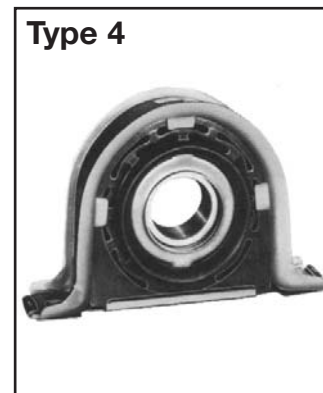
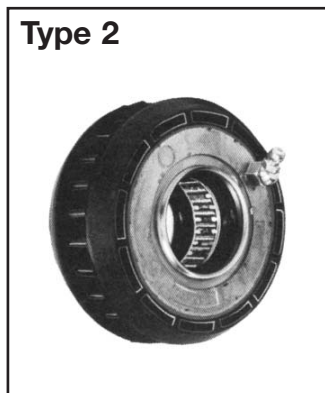
- The DT Components product line provides a full range of Center Support Bearings for Heavy-Duty and Light-Duty Applications.
- The Center Support Bearing frames are constructed from cold rolled steel for additional strength.
- Each Center Support Bearing contains a pre-lubricated bearing with metal reinforced seals.
- Most Center Support Bearings are available with and without flingers.

Center Support Bearings

	Center Support with Flingers	Center Support without Flingers	Type	Cap Style	Flingers	Bearing Height	Mounting Holes
Cleveland 055 Series 1.5000/1.4995" Bearing I.D.	HB2		2				
Cleveland D56, U56 Series 1.7500/1.7495" Bearing I.D.	HB3		2				
1210 Series (Ford Ranger Extra Cab 1986-89) 1.2590" Bearing I.D.	HB211431X	Not Sold Separately	3	F		1 ³ / ₄ "	5 ¹¹ / ₁₆ "
1310 Series (Ford Ranger Extra Cab 1993-on) 1.1811/1.1807" Bearing I.D.	HB211590-X	Not Sold Separately	3	F		1 ³ / ₄ "	5 ¹¹ / ₁₆ "
1280 thru 1310 Series 1.1811/1.1807" Bearing I.D.	HB210527-X	HB206-FF	1			3 ⁹ / ₁₆ "	1 ¹ / ₂ "
1280 thru 1330 Series 1.3750/1.3745" Bearing I.D.	HB1		2				
1280 thru 1330 Series 1.3780/1.3775" Bearing I.D.	HB5		2				
1280 thru 1410 Series 1.3780/1.3775" Bearing I.D.	HB210088-1X	88107-AF	3	F	230121, 230217	2 ¹ / ₄ "	6 ⁵ / ₈ "
	HB210090-1X	88107-AF	3	F	230217 (2)	2 ¹ / ₄ "	6 ⁵ / ₈ "
	HB210367-1X	88107-AG	3	G	230141, 98-1473 (2)	2 ¹ / ₄ "	6 ⁵ / ₈ "
	HB210370-1X	88107-AG	3	G	230104, 230141, 98-1473	2 ¹ / ₄ "	6 ⁵ / ₈ "
	HB211187X	HB88107-A	3		231217, 231256	2 ¹ / ₄ "	6 ⁵ / ₈ "
1310 thru 1550 Series 1.5748/1.5743" Bearing I.D.	HB210140-1X	HB88508-G	4	G	230207, 230208	2 ⁷ / ₁₆ "	6 ⁵ / ₈ "
	HB210144-1X	HB88508-G	4	G	230207 (2)	2 ⁷ / ₁₆ "	6 ⁵ / ₈ "
	HB210391-1X	HB88508	4	F	230124 (2)	2 ⁷ / ₁₆ "	6 ⁵ / ₈ "
	HB210433-1X	HB88508	4	F	230124, 230209	2 ⁷ / ₁₆ "	6 ⁵ / ₈ "
	HB210866-1X	HB88508-A	3/4	F	231000, 231004	2 ¹ / ₄ "	6 ⁵ / ₈ "
	HB210873-1X	HB88508-A	3/4	F	231004 (2)	2 ¹ / ₄ "	6 ⁵ / ₈ "
1410 thru 1650 Series 1.7717/1.7712" Bearing I.D.	HB210084-2X	HB88509	4	F	230151 (2)	2 ¹¹ / ₁₆ "	7 ⁵ / ₈ "
	HB210130-1X	HB88509-G	4	G		2 ¹¹ / ₁₆ "	7 ⁵ / ₈ "
	HB210207-1X	HB88509	4	F	230151, 230363	2 ¹¹ / ₁₆ "	7 ⁵ / ₈ "
	HB210209-1X	HB88509-G	4	G	230192, 230193, 230380	2 ¹¹ / ₁₆ "	7 ⁵ / ₈ "
1700 thru 1710 Series 1.9685/1.9680" Bearing I.D.	HB210121-1X	88510	4	F	230166 (2)	2 ²⁵ / ₃₂ "	7 ⁵ / ₈ "
	HB210881-1X**	88510-S	4	F	230166 (2)	2 ²⁵ / ₃₂ "	7 ⁵ / ₈ "
1760 thru 1810 Series 2.3622/2.3616" Bearing I.D.	HB210661-1X	88512-AHD	4	F	230746 (2)	3 ³ / ₈ "	8 ⁵ / ₈ "
	HB210875-1X**	88512-ASHD	4	F	230746 (2)	3 ³ / ₈ "	8 ⁵ / ₈ "
1850 thru 1880 Series 2.7559/2.7553" Bearing I.D.	HB210748-1X	88514	4	F	230746 (2)	3 ³ / ₈ "	8 ⁵ / ₈ "
	HB211070-1X**	88514-S	4	F	230746 (2)	3 ³ / ₈ "	8 ⁵ / ₈ "

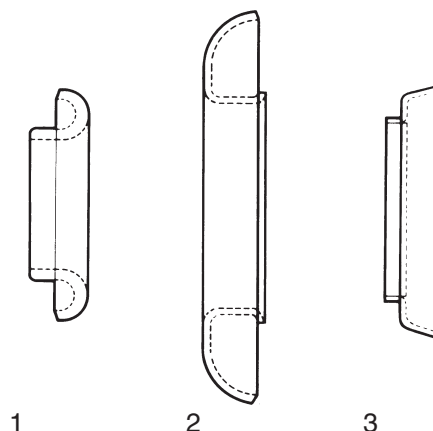
**Solid rubber cushion

Center Support Bearings














Flinger Specifications

Part Number	Flinger Type	Inside Diameter	Outside Diameter	Width
230104	1	1.375	2.562	0.750
230118	2	2.057	4.000	0.562
230121	1	1.374	2.437	0.625
230124	2	2.306	4.375	0.562
230141	2	1.757	4.000	0.828
230151	2	2.556	4.562	0.562
230166	2	2.807	4.812	0.562
230192	2	2.370	4.625	1.190
230193	3	2.370	3.125	0.560
230207	2	2.525	4.375	0.875
230208	1	1.569	2.875	0.938
230209	1	1.569	2.625	0.594
230363	1	1.765	2.875	0.594
230746	2	3.312	5.562	0.578
231000	1	1.569	2.437	0.562
231004	2	2.149	4.000	0.440
231217	2	2.057	3.687	0.300
231256	1	1.374	2.093	0.470
98-1473	3	1.747	2.500	0.500















Center Support Bearings

Center Support Bearings

Year	Make	Model	Notes	Part Number	Interchange	
85-91	CHRYSLER	Colt Vista	AWD	HB25	1400-10	
80-82	CHRYSLER	D50		HB14	1680-10	
83-86	CHRYSLER	Power Ram 50		HB14	1680-10	
87-93	CHRYSLER	Power Ram 50	4WD	HB30		
83-89	CHRYSLER	Ram 50		HB14	1680-10	
90-92	CHRYSLER	Ram 50		HB30		
80-82	GMC	LUV	2WD	HB20		
80-82	GMC	LUV	4WD	HB21		
93-96	INFINITI	J30		HB6	1280-30	
90-93	INFINITI	M30		HB6	1280-30	
81-87	ISUZU	Pickup	2WD	HB20		
81-87	ISUZU	Pickup	4WD	HB21		













Center Support Bearings

Year	Make	Model	Notes	Part Number	Interchange	
84-87	ISUZU	Trooper		HB21		
82-84	MAZDA	B2200		HB29	1420-10	
83-89	MITSUBISHI	Mighty Max	2WD	HB14	1680-10	
90-92	MITSUBISHI	Mighty Max	2WD	HB30		
80-81	NISSAN	810		HB19	1280-60	
80-83	NISSAN	200SX		HB19	1280-60	
84-88	NISSAN	200SX		HB6	1280-30	
89-95	NISSAN	240SX		HB6	1280-30	
73-79	NISSAN	620 Pickup		HB18	1280-10	
80-86	NISSAN	720 Pickup		HB12	1280-20	
82-84	NISSAN	Maxima		HB6	1280-30	
87-95	NISSAN	Pathfinder	2WD, L4 Engine	HB6	1280-30	

Center Support Bearings

Center Support Bearings

Center Support Bearings

Year	Make	Model	Notes	Part Number	Interchange	
87-95	NISSAN	Pathfinder	4WD V6	HB13	1280-40	
86-95	NISSAN	Pickup Hardbody	2WD, L4 Engine	HB6	1280-30	
86-95	NISSAN	Pickup Hardbody	4WD V6	HB13	1280-40	
87-89	NISSAN	Sentra	AWD	HB23		
86-88	NISSAN	Stanza Wagon	AWD	HB6	1280-30	
80-82	PLYMOUTH	Arrow		HB14	1680-10	
82-85	TOYOTA	Celica		HB7	2380-20	
80-83	TOYOTA	Corolla		HB11	1500-40	
71-83	TOYOTA	Corolla		HB31	2380-40	
80-82	TOYOTA	Corona		HB15		
80-84	TOYOTA	Cressida		HB8	1380-80	
85-88	TOYOTA	Cressida		HB15		

Center Support Bearings

Year	Make	Model	Notes	Part Number	Interchange	
80-83	TOYOTA	Pickup		HB9	1380-10	
84-88	TOYOTA	Pickup	2WD	HB10	1380-30	
84-88	TOYOTA	Pickup	4WD	HB17	1380-20	
89-95	TOYOTA	Pickup	2WD	HB9	1380-10	
89-95	TOYOTA	Pickup	4WD	HB24	1380-40	
82-85	TOYOTA	Supra		HB7	2380-20	
93-On	TOYOTA	T100	2WD	HB26	1400-10	
93-On	TOYOTA	T100	4WD	HB27	1380-60	
83-88	TOYOTA	Tercel Wagon	AWD	HB7	2380-20	

Center Support Bearings

Center Support Bearings

Center Support Bearings

DT Components Part Number	Spicer Part Number	Rockwell Part Number	NEAPCO Old Part Number	NEAPCO New Part Number	Federal Mogul Part Number	CR Part Number
HB210084-2X	210084-2X	CB210084-2X	81-4011	210084-2X	HB88509-A	HB88509-A
HB210088-1X	210088-1X	CB210088-1X	81-2012	210088-1X	HB88107-B	HB88107-B
HB210090-1X	210090-1X	CB210090-1X	81-2013	210090-1X	HB88107-C	HB88107-C
HB210121-1X	210121-1X	CB210121-1X	81-5010	210121-1X	HB88510	HB88510
HB210140-1X	210140-1X	CB210140-1X	81-3021	210140-1X	HB88508-C	HB88508-C
HB210144-1X	210144-1X	CB210144-1X	81-3022	210144-1X	HB88508-D	HB88508-D
HB210207-1X	210207-1X	CB210207-1X	81-4012	210207-1X	HB88509-C	HB88509-C
HB210367-1X	210367-1X	CB210367-1X	81-2121	210367-1X	HB88107-D	HB88107-D
HB210370-1X	210370-1X	CB210370-1X	81-2122	210370-1X	HB88107-E	HB88107-E
HB210391-1X	210391-1X	CB210391-1X	81-3011	210391-1X	HB88508-E	HB88508-E
HB210433-1X	210433-1X	CB210433-1X	81-3012	210433-1X	HB88508-B	HB88508-B
HB210527-X	210527-X	CB210527-X	81-1020	210527-X	HB206-FF	HB206-FF
HB210661-1X	210661-1X	CB210661-1X	81-6010	210661-1X	HB88512-AHD	HB88512-A
HB210748-1X	210748-1X	CB210748-1X	—	—	—	—
HB210866-1X	210866-1X	CB210866-1X	81-2041	210866-1X	HB88508-A-B	HB88508-A-B
HB210873-1X	210873-1X	CB210873-1X	81-2042	210873-1X	HB88508-A-A	HB88508-A-A
HB210875-1X	210875-1X	CB210875-1X	81-6011	210875-1X	HB88512-AS	HB88512-AS
HB210881-1X	210881-1X	CB210881-1X	81-5011	210881-1X	HB88510-S	HB88510-S
HB211070-1X	211070-1X	CB211070-1X	—	—	—	—
HB211187-X	211187-X	CB211187-X	—	—	HB88107-A	HB88107-A
HB211431-X	211431-X	CB211431-X	—	—	HB106-FF	HB106-FF
HB211590-1X	211590-1X	CB211590-1X	—	—	—	—
HB1	—	—	—	211302X	HB1	HB1
HB2	—	—	—	211303X	HB2	HB2
HB3	—	—	—	211304X	HB3	HB3
HB5	—	—	81-2050	212050X	HB5	HB5
HB88508	—	—	81-3010	211098-1X	HB88508	HB880508
HB88508A	—	—	81-2040	211016X	HB88508A	HB88508A
HB88509	—	—	81-4010	210969X	HB88509	HB88509



FOR WORN YOKES & SHAFTS RESLEEVEING

E-Z SLEEVE restores your worn yokes and shafts to give them new life. E-Z SLEEVE is so hard, wear resistant and friction free, it will set new standards for trouble free sleeving.

The concept of a thin wall flanged sleeve is very popular for fast sleeving of shafts and yokes. However the results often fall short of expectations. The soft sleeves lack durability and operate with too much resistance (resulting in excessive heat and failures).

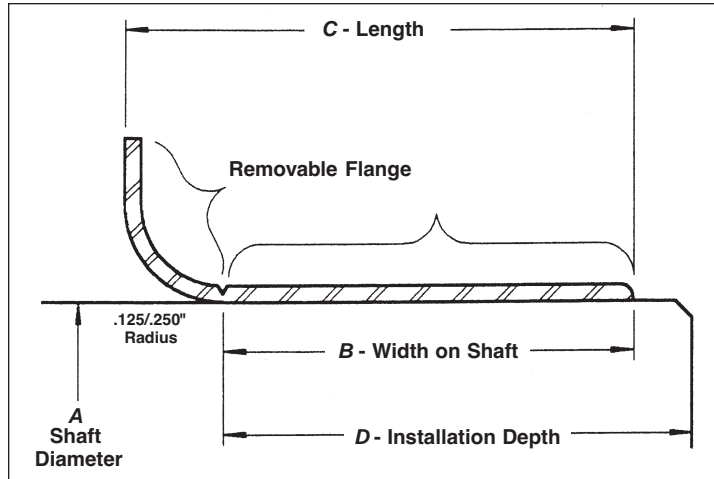
E-Z SLEEVE eliminates these problems and provides a long life sleeve at an affordable price.

E-Z SLEEVE's innovative technology will set the new standard in the industry.

What sets E-Z SLEEVE apart from other sleeves?

- **HARD CHROME COATING**
E-Z SLEEVE stainless steel sleeves are hard chromed to a hardness of 68RC.
- **LOWER COEFFICIENT OF FRICTION**
Hard chrome provides a smoother surface and has a lower coefficient of friction that reduces heat and seal wear.
- **BETTER SEAL FIT**
E-Z SLEEVE minimize the change to the original shaft diameter. This provides a better fit between the repaired shaft and the seal.





E-Z SLEEVE SPECIFICATIONS

Part Number	A Shaft Diameter Range		B Width	C Length	D Installation Tool Depth
	Minimum	Maximum			
99058	0.624	0.630	0.315	0.437	2.032
99062	0.621	0.627	0.312	0.406	2.032
99076	0.746	0.752	0.312	0.437	2.032
99078	0.785	0.789	0.312	0.437	2.032
99087	0.871	0.877	0.312	0.437	2.032
99098	0.980	0.986	0.312	0.437	2.032
99100	0.995	1.002	0.312	0.437	2.032
99101	0.995	1.002	0.312	0.437	2.032
99112	1.123	1.127	0.312	0.438	0.688
99116	1.123	1.127	0.375	0.500	0.688
99125	1.245	1.253	0.312	0.437	0.875
99128	1.254	1.263	0.312	0.437	0.875
99138	1.368	1.374	0.500	0.625	1.000
99139	1.372	1.378	0.500	0.063	1.000
99143	1.432	1.438	0.563	0.688	1.016
99144	1.435	1.441	0.375	0.500	1.016
99149	1.496	1.503	0.562	0.688	1.016
99150	1.497	1.503	0.375	0.500	1.016
99152	1.519	1.526	0.438	0.563	1.016
99155	1.549	1.555	0.438	0.563	1.016
99156	1.559	1.565	0.563	0.688	1.016
99157	1.572	1.578	0.512	0.630	1.023
99162	1.622	1.628	0.562	0.688	0.812
99168	1.684	1.690	0.563	0.688	0.875
99169	1.647	1.653	0.563	0.689	0.827
99170	1.735	1.742	0.375	0.500	1.032
99172	1.745	1.753	0.375	0.500	1.032
99173	1.745	1.753	0.875	1.000	1.032

E-Z Sleeve Repair Sleeves

E-Z Sleeve Repair Sleeves

Part Number	A Shaft Diameter Range		B	C	D
	Minimum	Maximum	Width	Length	Installation Tool Depth
99174	1.745	1.753	0.562	0.688	1.032
99175	1.745	1.753	0.750	0.875	1.032
99176	1.759	1.767	0.562	0.688	1.032
99177	1.767	1.775	0.550	0.669	1.032
99181	1.807	1.815	0.562	0.688	1.250
99187	1.869	1.878	0.562	0.688	1.250
99189	1.887	1.893	0.550	0.668	0.984
99192	1.909	1.915	0.375	0.500	1.000
99193	1.932	1.940	0.562	0.688	1.250
99196	1.965	1.971	0.550	0.668	0.984
99199	1.996	2.003	0.562	0.688	2.060
99200	1.996	2.003	0.875	1.000	2.060
99205	2.057	2.063	0.813	0.938	1.375
99210	2.123	2.128	0.500	0.750	1.280
99212	2.122	2.130	0.780	0.937	1.375
99215	2.162	2.168	0.787	0.905	1.375
99218	2.185	2.192	0.781	0.938	1.312
99220	2.198	2.205	0.500	0.625	1.312
99225	2.248	2.255	0.780	0.937	1.375
99227	2.249	2.255	0.303	0.438	1.312
99235	2.359	2.365	0.787	0.905	1.375
99237	2.372	2.378	0.780	0.937	1.375
99238	2.372	2.378	0.594	0.750	1.375
99240	2.374	2.380	0.526	0.683	1.375
99241	2.359	2.365	0.370	0.450	1.375
99242	2.435	2.441	0.500	0.625	1.425
99243	2.434	2.440	0.781	0.938	1.393
99244	2.433	2.441	0.500	0.625	1.425
99248	2.497	2.506	0.500	0.656	1.393
99249	2.487	2.506	0.780	0.937	1.393
99250	2.497	2.506	0.780	0.937	1.375
99251	2.509	2.516	0.780	0.906	1.375
99253	2.497	2.506	0.555	0.650	0.890
99254	2.554	2.562	0.787	0.905	1.375
99255	2.554	2.562			
99256	2.559	2.566	0.781	0.938	1.375
99259	2.595	2.601	0.781	0.938	1.250
99261	2.618	2.624	0.781	0.938	1.375
99262	2.623	2.631	0.780	0.937	1.500
99264	2.620	2.627	0.780	0.906	1.500
99272	2.748	2.756	0.406	0.563	1.250
99274	2.743	2.751	0.780	0.937	1.375
99275	2.748	2.756	0.780	0.937	1.375
99276	2.750	2.759	0.787	0.945	1.375

E-Z Sleeve Repair Sleeves

E-Z Sleeve Repair Sleeves

Part Number	A Shaft Diameter Range		B Width	C Length	D Installation Tool Depth
	Minimum	Maximum			
99282	2.837	2.844	0.500	0.656	1.250
99284	2.826	2.836	0.748	0.868	1.339
99287	2.871	2.879	0.780	0.937	1.375
99289	2.949	2.956	0.594	0.689	1.102
99290	2.935	2.943	0.500	0.640	1.331
99291	2.987	2.996	0.484	0.625	1.331
99293	2.935	2.943	0.780	0.938	1.500
99294	2.949	2.956	0.866	1.024	1.312
99296	2.997	3.005	0.812	0.938	1.281
99298	2.987	2.996	0.563	0.688	1.375
99299	2.987	2.996	0.812	1.000	1.250
99300	2.998	3.006	0.812	1.000	1.281
99303	2.998	3.006	0.625	0.812	1.063
99307	3.123	3.132	0.550	0.709	2.031
99311	3.119	3.126	0.688	0.813	2.000
99312	3.119	3.126	0.812	1.000	2.000
99313	3.141	3.150	0.750	0.886	1.375
99315	3.145	3.153	0.827	0.945	1.375
99317	3.145	3.153	0.433	0.591	1.375
99322	3.246	3.253	0.812	1.000	1.375
99324	3.248	3.256	0.595	0.720	1.500
99325	3.248	3.256	0.812	1.000	1.500
99332	3.337	3.347	0.669	0.827	1.378
99333	3.337	3.347	0.827	0.894	1.378
99337	3.371	3.379	0.812	1.000	1.500
99346	3.495	3.503	0.625	0.812	1.348
99347	3.498	3.506	0.312	0.500	1.348
99349	3.499	3.507	0.625	0.812	1.348
99350	3.498	3.506	0.812	1.000	1.347
99351	3.540	3.546	0.710	0.906	1.812
99353	3.540	3.546	0.526	0.667	1.750
99354	3.540	3.546	0.906	1.102	1.750
99356	3.560	3.566	0.812	1.000	1.750
99360	3.618	3.629	0.812	1.000	1.750
99362	3.622	3.629	0.812	1.000	1.750
99363	3.622	3.629	0.500	0.625	1.750
99364	3.739	3.746	0.469	0.594	1.750
99367	3.748	3.756	0.344	0.500	1.750
99369	3.736	3.743	0.827	0.945	1.750
99372	3.748	3.756	0.688	0.875	1.875
99374	3.739	3.746	0.344	0.500	1.750
99376	3.745	3.752	0.563	0.688	1.750
99387	3.873	3.879	0.812	1.000	1.875
99393	3.935	3.491	0.812	1.000	2.050

E-Z Sleeve Repair Sleeves

E-Z Sleeve Repair Sleeves

Part Number	A Shaft Diameter Range		B	C	D
	Minimum	Maximum	Width	Length	Installation Tool Depth
99395	3.995	4.006	0.600	0.725	2.125
99399	3.995	4.006	0.812	1.000	2.125
99400	3.995	4.006	0.650	0.775	2.125
99401	3.995	4.006	0.500	0.625	2.125
99424	4.248	4.256	0.812	1.000	1.438
99437	4.370	4.378	0.812	1.000	1.650
99450	4.496	4.504	0.813	1.000	1.250
99452	4.523	4.531	0.813	0.938	1.250
99492	4.916	4.925	1.024	1.260	1.438
99498	4.998	5.006	0.688	0.875	1.438
99499	4.998	5.006	0.813	1.000	1.438
99525	5.246	5.254	0.812	1.000	1.250
99549	5.498	5.506	0.812	1.000	1.250
99550	5.498	5.506	0.578	0.705	1.250
99552	5.508	5.516	0.807	1.000	1.250
99599	5.995	6.004	1.000	1.250	1.750
99601	5.995	6.004	0.500	0.750	1.750
99650	6.495	6.505	1.000	1.250	1.375
99700	6.994	7.005	1.000	1.250	1.688

E-Z Sleeve Repair Sleeves

Shim Stock Rolls

Size	Cold Rolled Steel Part Number	Brass Part Number	Stainless Steel Part Number
.001	001CRS	001BR	001SS
.0015	0015CRS	0015BR	0015SS
.002	002CRS	002BR	002SS
.003	003CRS	003BR	003SS
.004	004CRS	004BR	004SS
.005	005CRS	005BR	005SS
.006	006CRS	006BR	006SS
.007	007CRS	007BR	007SS
.008	008CRS	008BR	008SS
.009	009CRS	009BR	009SS
.010	010CRS	010BR	010SS
.012	012CRS	012BR	012SS
.015	015CRS	015BR	015SS
.020	020CRS	020BR	020SS

	<u>Width</u>	<u>Length</u>
Cold Rolled Steel Rolls	6"	100"
Brass Rolls	6"	100"
Stainless Steel Rolls	6"	50"

New Departure - Hyatt Barrel Style Roller Bearings

NDH Part #	DT Components Part #	Cone Part #	Cup Part #
KC-11445-Y	KC11445Y	17887	17831
KB-11630-Z	KB11630Z	368S	362
KB-11786-Y	KB11786Y	387	382
KD-11786-Y	KD11786Y	388A	382
KA-11820-Z	KA11820Z	28990	28919
KA-11950-Z	KA11950Z	M111048	M111012
KD-12051-Z	KD12051Z	395CS	394CS
KR-12051-Z	KR12051Z [^]	395ES	394CS

[^] Components Not Sold Separately

Shim Stock Rolls & NDH Barrel Roller Interchanges

TIMKEN®

Timken MileMate Sets

MileMate™ Matched Wheel Bearing Sets Increase Truck and Trailer Uptime



Matching Cone and Cup -
Gives Higher Reliability

Made from Timken® Steel -
Proven Longer Running

To be Replaced Together -
Lengthens Maintenance Intervals

Timken Set Number	Timken Part Number
Set 401	580/572
Set 402	582/572
Set 403	594A/592A
Set 404	598A/592A
Set 405	663/653
Set 406	3782/3720
Set 407	28682/28622
Set 408	39590/39520
Set 409	45280/45220
Set 410	45284/45220
Set 411	47686/47620
Set 412	HM212047/HM212011
Set 413	HM212049/HM212011
Set 414	HM218248/HM218210
Set 415	HM518445/HM518410
Set 416	45291/45220
Set 417	47890/47820
Set 418	H715334/H715311
Set 419	H715343/H715311

Timken Set Number	Timken Part Number
Set 420	H715345/H715311
Set 421	HM516449A/HM516410
Set 422	HM516449C/HM516410
Set 423	6461A/6420
Set 424	555-S/552A
Set 425	567/563
Set 426	47679/47620
Set 427	NP899357/NP026773
Set 428	NP874005/NP435398
Set 429	NP034946/NP363298
Set 430	NP840302/NP053874
Set 431	NP965350/NP503727
Set 432	NP174964/NP593561
Set 433	NP431952/NP378092
Set 434	NP555065/NP720703
Set 435	NP568900/NP107783
Set 436	NP577914/NP975161
Set 437	NP022333/NP250023
Set 438	NP417549/NP156827

THE TIMKEN COMPANY

Timken Set Number	Timken Part Number	Popular Component Manufacturers
Set 401	580, 572	ArvinMeritor / Dana / IHC / Mack / WhiteGMC
Set 402	582, 572	ArvinMeritor / Dana / Mack
Set 403	594A, 592A	ArvinMeritor / Dana / IHC
Set 404	598A, 592A	ArvinMeritor / Dana / Mack / WhiteGMC
Set 405	663, 653	ArvinMeritor / Clark / Dana / IHC / Mack / Standard / Volvo
Set 406	3782, 3720	ArvinMeritor / Dana / Ford / IHC / WhiteGMC
Set 407	28682, 28622	Dana / IHC
Set 408	39590, 39520	ArvinMeritor / Dana / IHC
Set 409	45280, 45220	Mack
Set 410	45284, 45220	ArvinMeritor / Dodge / Ford / GMC
Set 411	47686, 47620	ArvinMeritor / Dana / FWD / IHC
Set 412	HM212047, HM212011	ArvinMeritor / Dodge / Ford / GMC / Isuzu
Set 413	HM212049, HM212011	ArvinMeritor / Clark / Dana / Fruehauf / IHC / Mack Standard / WhiteGMC
Set 414	HM218248, HM218210	ArvinMeritor / Dana / Kay-Brunner / Standard
Set 415	HM518445, HM518410	ArvinMeritor / Fruehauf
Set 416	45291, 45220	ArvinMeritor / Dana
Set 417	47890, 47820	ArvinMeritor / IHC / Oshkosh / Standard
Set 418	H715334, H715311	ArvinMeritor / Oshkosh
Set 419	H715343, H715311	ArvinMeritor / IHC / Oshkosh
Set 420	H715345, H715311	ArvinMeritor / IHC / Mack / WhiteGMC
Set 421	HM516449A, HM516410	Mack
Set 422	HM516449C, HM516410	Mack
Set 423	6461A, 6420	ArvinMeritor / Dana / Dodge / Ford / Mack
Set 424	555-S, 552A	ArvinMeritor / Dana / Dodge / Ford / IHC / Mack
Set 425	567, 563	ArvinMeritor / Dana / Dodge / Ford / IHC / Iveco / Mack Oshkosh / Standard
Set 426	47679, 47620	Mack
Set 427	NP899357, NP026773	Con-Met Steer / TN Trailer
Set 428	NP874005, NP435398	Con-Met Steer
Set 429	NP034946, NP363298	Con-Met Drive
Set 430	NP840302, NP053874	Con-Met Drive
Set 431	NP965350, NP503727	Con-Met TN Trailer
Set 432	NP174964, NP593561	Con-Met TP Trailer
Set 433	NP431952, NP378092	Dana Steer / TN Trailer
Set 434	NP555065, NP720703	Dana Steer
Set 435	NP568900, NP107783	Dana Drive
Set 436	NP577914, NP975161	Dana Drive
Set 437	NP022333, NP250023	Dana TN Trailer
Set 438	NP417549, NP156827	Dana TP Trailer

Timken® is the registered trademark of
The Timken Company.
www.timken.com

© 2000 The Timken Company

TIMKEN

WORLDWIDE LEADER IN BEARINGS AND STEEL

DT[®]
Components
Drivetrain Products

Hand Installed Wheel Seals

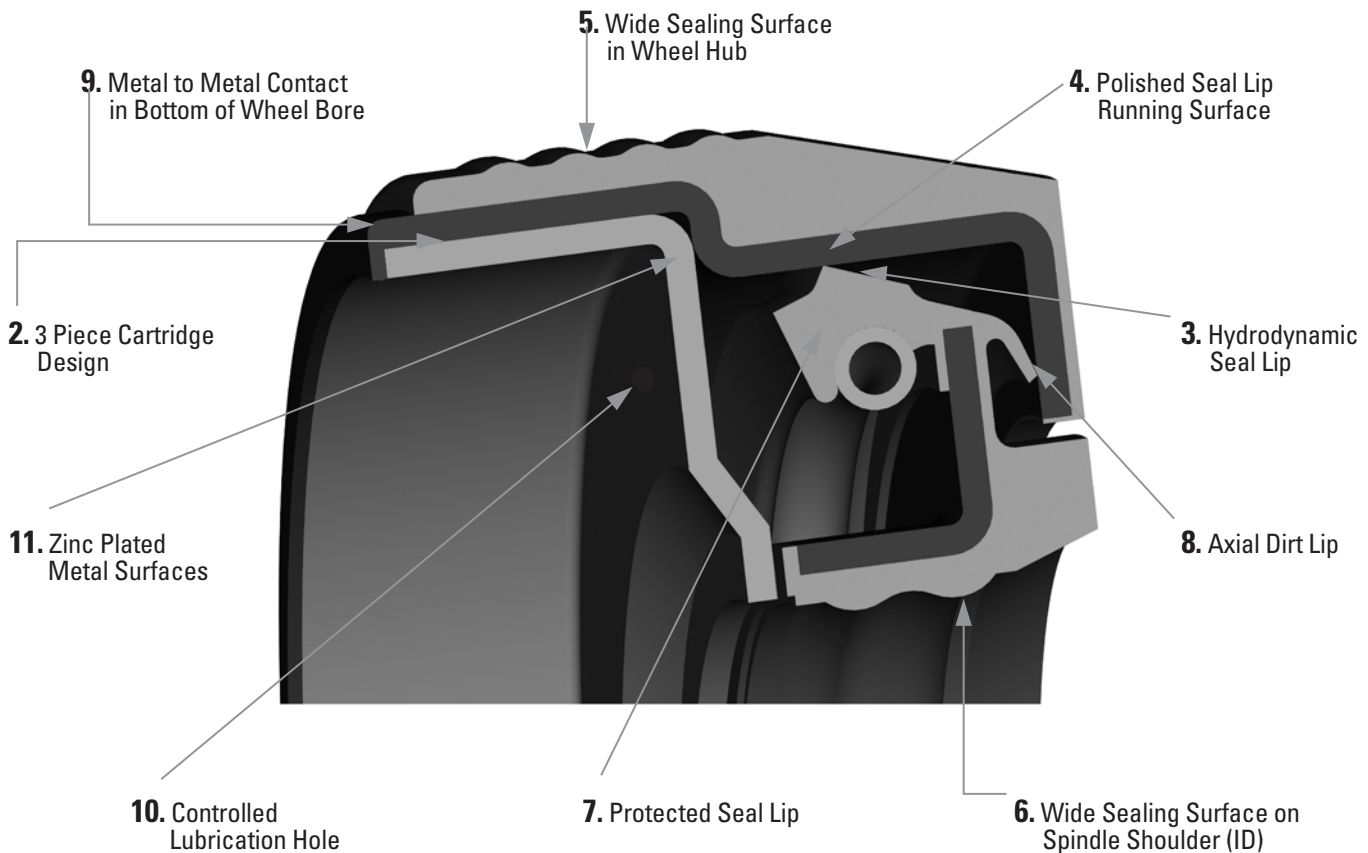


North Coast Bearings

1050 Jaycox Road • Avon, Ohio 44011

Toll Free: 800-627-0700 • 440-930-7600
Toll Free Fax: 800-627-9401 • Fax: 440-930-7615
www.dtcomponents.com

© Registered Trademark of The Timken Company



Wheel Seal Key Features

1. The wheel seals are designed to be easily hand installed or installed using any brand of wheel seal installation tools which reduces installation time and costs.
2. The seals outer wall is constructed with a robust 3 piece cartridge design to provide maximum strength.
3. The primary sealing lip is a hydrodynamic lip that pumps the oil back to the bearings helping with the bearing lubrication and has a centrifugal lip configuration that provides constant lip load at varying wheel speeds.
4. The primary sealing lip makes contact with a polished running surface which insures consistent seal contact and reduces friction and heat and extends the seals life.
5. The wheel seal has a wide sealing surface contact in the wheel hub providing maximum sealing and helps seal imperfections in the wheel hub.
6. The wheel seal also has a wide sealing surface on the spindle shoulder which helps seal spindle imperfections and provides maximum sealing.
7. The primary sealing lip is completely enclosed to prevent contamination and installation damage.
8. The axial dirt lip has a fixed wiper lip interference that excludes dirt and prevents pre-installation contamination.
9. The steel outer wall makes a metal to metal contact in the bottom of the wheel hub to insure proper seating and helps dissipate heat through the wheel hub.
10. Controlled lubrication holes maintains proper lubrication to the sealings lips and directs the oil back to the bearings.
11. All exposed metal surfaces are zinc plated to prevent corrosion.



DT Components wheel seals are manufactured at an ISO9000 facility in England that is in the process of being certified for the TS16949 high automotive standard and is part of a \$500 million global company supplying products to OEM's and aftermarket customers worldwide and is the only line of heavy duty wheel seals that are packaged under the DT Components brand name. Arvin Meritor, Eaton, New Venture Gear and Cummins are just a few of the many OEM customers using DT Components products.

North Coast Bearings is currently expanding its Avon, Ohio facility. When completed in 2005, it will exceed 110,000 square feet which will better service our customers and support our continued growth. We also utilize distribution centers located in Crossville, Tennessee and Sparks, Nevada along with additional Timken distribution centers throughout the world.

Our mission is to provide the best value in differential and transmission rebuild kits and related products. Best value means OEM approved products, the best order fill, the fastest in-house turn-around time, US manufacturers' product where available, superior quality and personalized service.

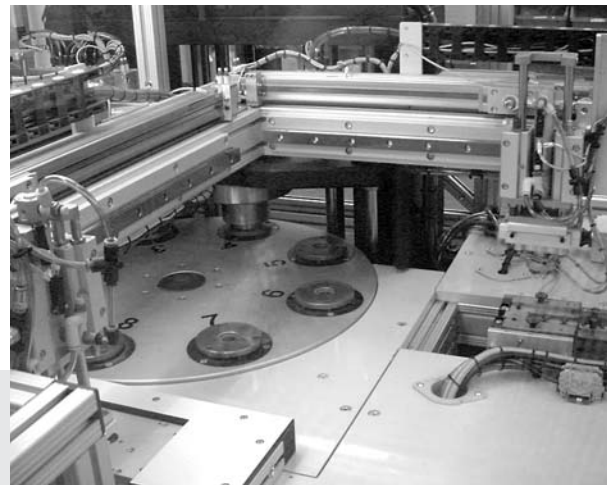


In July 1997, The Timken Company and North Coast Bearings formed a strategic alliance to market and distribute differential rebuild kits, transmission rebuild kits and related products to the heavy, medium and light duty aftermarkets under the product name DT Components[®]

Since then, the product line has grown to over 1,700 cataloged rebuild kits and 19,000 part numbers and is now the most recognized and respected brand of differential and transmission rebuild kits in the USA.



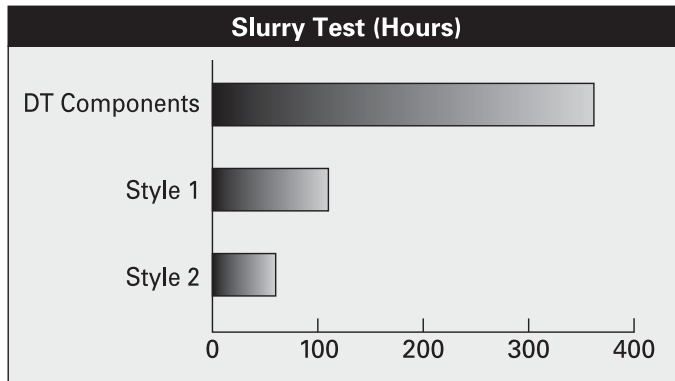
DT Components wheel seals are designed to be the simplest seal you will ever install. The three piece cartridge outer wall provides maximum strength to support installation with any wheel seal manufacturers installation tool, while the wide rubber outside diameter completely seals inside the wheel hub and helps seal hub bore imperfections. The ribbed design also allows the seal to be easily installed without tools, but grips the hub bore so the seal cannot back out once the seal is seated.



Manufactured in a state of the art facility in England, DT Components wheel seals are subjected to strict quality control procedures during every step of the manufacturing process to ensure OEM's and aftermarket customers alike will receive the highest quality product.

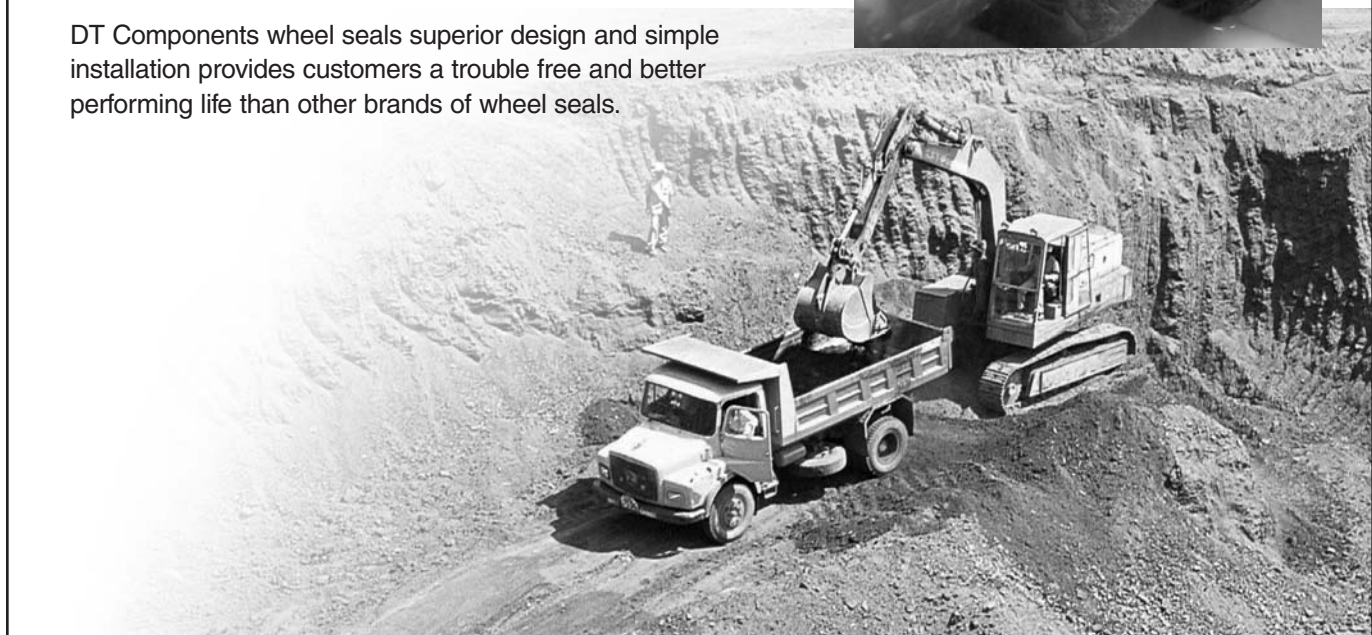
Extensive testing has been performed on the DT Components wheel seals to guarantee that our seals will out perform other brands of seals no matter how harsh the environment.

We installed the DT Components wheel seals and the competitor's wheel seals in an environmental testing rig and ran them head to head to see which seal would fail first. The seals were tested running half buried in sand as well as being submerged in a slurry consisting of a mixture of salt, sand, aggressive dust and seawater to simulate the worst possible conditions for a wheel seal.



The DT Components wheel seal's hydrodynamic pumping lip and polished running surface kept contaminants from penetrating the seal and lasted up to three times longer than the competitor's wheel seals.

DT Components wheel seals superior design and simple installation provides customers a trouble free and better performing life than other brands of wheel seals.



Wheel Seals

Interchange

DT Components	CR Scotseal Scotseal Plus	National Standard Design Five Star	Stemco Guardian Grit Guard	Triseal Standard Service Unitized	Dana Outrunner
TM301	34387 34384	370047A	309-0935 392-9035	69785 65111U	
TM302	42623 42622	370065A 380065A	307-0723 372-7099	69596 65262U	851
TM305	46305 46304	370025A 380025A	307-0743 372-7097	69598 65060U	859
TM309	38780 38779	370023A 380023A	309-0912 392-9099	69794 65152U	849
TM312	35066 35059	370001A 380001A	308-0836 382-8036	69699 65263U	847
TM315	43764 43763	370048A 380048A	308-0864 382-8064	69697 65092U	863
TM317	45103 45102	370131A 380131A	308-0856 382-8056	69696 65078U	857
TM318	42672 42671	370031A 380031A	309-0904 392-9112	69788 65071U	852
TM329	40136 40133	370036A 380036A	307-0713 372-7098	69561 65261U	850
TM333	47697 47695	370003A 380003A	309-0973 392-9131	69799 65156U	861
TM350	45099 45097	370022A 380022A	309-0903 392-9094	69796 65270U	856

Wheel Set Interchange

Part Number	Timken Number	Federal Mogul Number	SKF Number	Cone/Cup
A1	SET1	A-1	BR1	LM11749/LM11710
A2	SET2	A-2	BR2	LM11949/LM11910
A3	SET3	A-3	BR3	M12649/M12610
A4	SET4	A-4	BR4	L44649/L44610
A5	SET5	A-5	BR5	LM48548/LM48510
A6	SET6	A-6	BR6	LM67048/LM67010
A7	SET7	A-7	BR7	M201047/M201011 w/locking collar
A9	SET9	A-9	BR9	** U298/U261L w/locking collar
A10	SET10	A-10	BR10	** U399/U360L w/locking collar
A12	SET12	A-12	BR12	LM12749/LM12710
A13	SET13	A-13	BR13	L68149/L68110
A14	SET14	A-14	BR14	L44643/L44610
A15	SET8	A-15	BR8	L45449/L45410
A16	SET16	A-16	BR16	LM12749/LM12711
A17	SET17	A-17	BR17	L68149/L68111
A18	SET11	A-18	BR11	JL69349/JL69310
A19	SET15	A-19	BR15	07100/07196
A20	SET20	A-20	BR20	Not Sold Separately
A21	SET21	A-21	BR21	1988/1922
A22	SET25	A-22	BR25	JLM506848E-90K02
A23	SET23	A-23	BR23	LM104949E-904A2
A24	SET27	A-24	BR31	Not Sold Separately
A28	SET28	A-28	BR28	J15585/15520 Not Sold Separately
A29	SET22	A-29	BR22	2 of LM67045/ 2 of LM67010-Z
A30	SET30	A-30	BR30	JLM67042/LM67010 Not Sold Separately
A31	SET24	A-31	BR24	JL68145/JL68111-Z SOLD AS SET ONLY
A32	SET32	A-32	BR32	Not Sold Separately
A33	SET33	A-33	BR33	Not Sold Separately
A34	SET34	A-34	BR34	LM12748F/LM12710
A35	SET45	A-35	BR35	LM501349/LM501310
A36	SET36	A-36	BR36	LM603049/LM603012
A37	SET37	A-37	BR37	LM603049/LM603011
A38	SET38	A-38	BR38	LM104949/LM104911
A39	SET46	A-39	BR39	JL26749F/JL26710
A40	SET26	A-40	BR26	JLM104946/JLM104910-Z
A41	SET41	A-41	BR41	Not Sold Separately
A42	SET42	A-42	BR42	JLM506849A/JLM506811
A43	SET43	A-43	BR43	Not Sold Separately
A44	SET449	A-44		Not Sold Separately
A45	A45	A-45		Not Sold Separately
A46	NP706218-NP910345	A-46		Not Sold Separately
A47	NP145100-NP913325	A-47		Not Sold Separately
A48	SET251	A-48		Not Sold Separately
A49	NP182140-904A1	A-49	BR103	Not Sold Separately
A50	NP197868-NP802507	A-50		Not Sold Separately
A51		A-51		14585/14525
A53	NP114036-NP064306	A-53		NP114036-NP064306
A80	SET47	A-80	BR50	LM102949/LM102910
A81	LM29748/10	A-81	BR51	LM29748/LM29710
A82	M88048/10	A-82	BR52	M88048/M88010
A140	A140	A-140	32008-X	Not Sold Separately
A149	A149	A-149	GRW250	Not Sold Separately

REAR WHEEL REPAIR PACKAGE BEARINGS

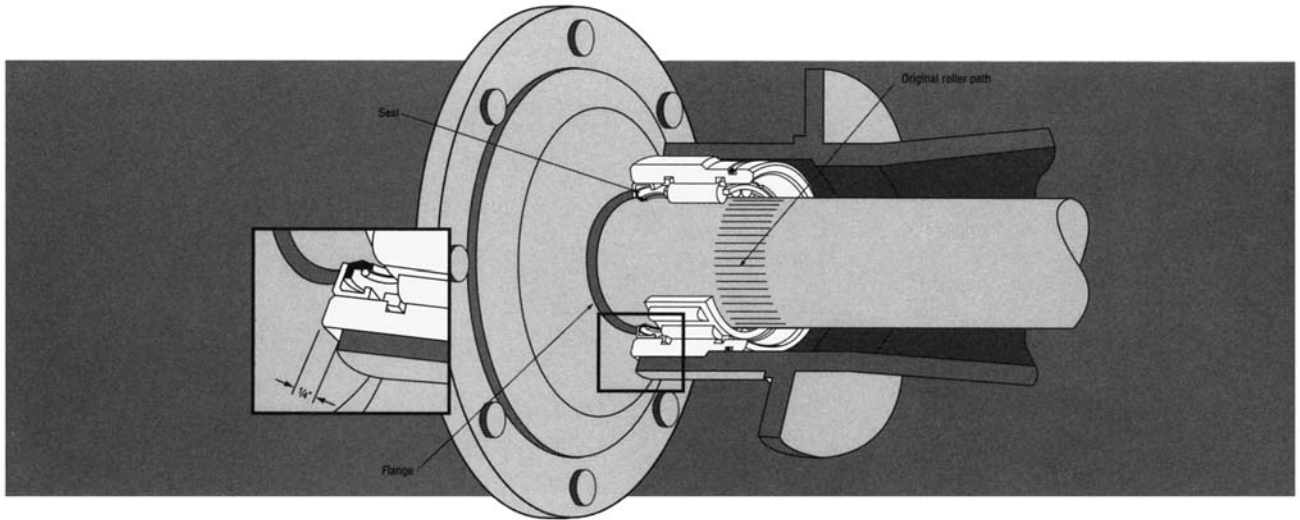


SIX PART NUMBERS NOW AVAILABLE

RP1561FO	Cylindrical roller bearing – replaces R 1561 TV bearing and seal used on Ford and Dodge 1.700" axles.
RP1561G	Cylindrical roller bearing – replaces R 1561 TV bearing and seal used on Chevrolet and GMC 1.700" axles.
RP513023	Cylindrical roller bearing – replaces 513023 TV bearing and seal used on Chevrolet and GMC van axles.
RP1559	Cylindrical roller bearing – replaces R 1559 TV bearing and seal used on a variety of GM , Ford and Chrysler cars and pickup trucks with 1.399" axles. 10 bolts.
RP5707	Cylindrical roller bearing – replaces R 1563 TAV bearing and seal used on a variety of GM , Ford and Chrysler cars and pickup trucks with 1.399" axles. 10 bolts.
RP513067	Cylindrical roller bearing – replaces 513067 bearing and seal used on a variety of Chevrolet and GM trucks axles with 8.5" ring gear. Available only as a repair package bearing.

REAR WHEEL REPAIR PACKAGE BEARING

Repair package bearings replace the original bearing and seal on axles which are still in good condition whose original bearing and/or seal contact paths are not suitable for continued use. The extra-wide Repair Package Bearing repositions the rollers and seal to ride on unworn portions of the axle closer to the flange. The Repair Package Bearing is lubricated through the axle tube by differential fluid, just like the original equipment design.



BEFORE INSTALLATION

Asses the shaft's general condition as not all axles are fit for reuse. Look for any signs of damage or wear. DO NOT REUSE axles that exhibit the following conditions:

- BENT OR DISTORTED AXLES, even if they could be straightened.
- AXLES WITH SURFACE CRACKS. Surface cracks may indicate impending failure, as cracks may grow and cause weakening of the axle or complete breakage.
- DISCOLORED AXLES. Discoloration (usually blue or black) may result from overheating while in operation.
- NOTICEABLE WEAR ON AXLES at the original bearing path. Wear may be indicated by a worn groove, heavy corrosion or surface spalling.

NOTE: Axles unfit for reuse are not limited to those exhibiting these conditions. Other conditions may also render an axle unfit for reuse.

INSTALLATION PROCEDURE

1. Follow the manufacturer's procedures for disassembling the axle, seal and bearing.
2. Clean and polish the axle between the flange and the original roller path using a fine grade emery paper. Smooth any nicks or burrs. The repair bearing and seal will ride on this area. Check the axle housing and clean it as necessary. WARNING: DO NOT reuse any axles that are distorted or bent, discolored, have surface cracks or have noticeable wear at the original bearing path.
3. Remove the replacement bearing from its box and remove its protective wrapping. Dip the bearing in clean differential oil and allow to drain.
4. Install the bearing in the axle housing with the seal facing out. Use an installation tool that rides on the face of the bearing. If you use the wrong installation tool, you will damage the seal which may cause a failure. No force should be applied to the seal. Once an axle shaft seal has been removed, never reuse it.
5. Reinstall the axle following the vehicle manufacturer's assembly procedures.
6. Finally, fill the differential with fluid to the level recommended by the vehicle manufacturer.

INTERCHANGE INFORMATION FOR REPAIR PACKAGE

DT Components Part No.	Federal-Mogul Part No.	Green Ball Bearing Part No.
RP1561FO	RP 1561-FO	FO-1561
RP1561GM	RP 1561-GM	GM-1561
RP513023	RP 153023	RP-57509
RP1559	RP 6408	RP-1559
RP5707	RP 5707	RP-1563
RP513067	RP 513067	RP-59047

Wheel Hub Assemblies and Spindles

North Coast Bearings now carries a complete line of premium ABS and Non-ABS wheel hub assemblies and spindles for automotive applications

Product coverage includes:

Acura	GMC	Nissan
Audi	Honda	Saab
BMW	Hyundai	Saturn
Chrysler	Infiniti	Subaru
Daewoo	Isuzu	Suzuki
Daihatsu	Jeep	Toyota
Eagle	Lexus	Volkswagen
Ford	Mazda	Volvo
Geo	Mitsubishi	

Contact your sales representative with vehicle information for proper identification.

Maximum
Performance,
Minimum Size



- LONGER BEARING LIFE
- INCREASED BEARING RELIABILITY
- INCREASED LOAD-CARRYING CAPACITY
- RESISTANCE TO HOSTILE ENVIRONMENTS
- IMPROVED FATIGUE LIFE

THE TIMKEN COMPANY

TIMKEN®

P900™ Bearings

Reduce size, weight and cost ... or increase power for your application

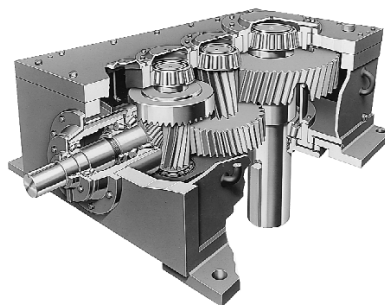
The world's most demanding applications require the world's best-performing bearings. Timken® P900™ bearings handle greater loads than traditional bearings, cost-effectively improving your product's performance and efficiency.

The technology behind P900 offers you the advantage of a benefit we call "power density." Simply put, power density allows you to use smaller bearings that can handle the same load as the original or pack more fatigue endurance into an existing envelope. You can now specify bearings without compromise.

Think of the cost-saving advantages of power density. You can downsize the bearings and related components, reaping the benefits of a lower system cost while handling the same loads. Or, you can increase power for your application without the costly process of retooling the system.

Do more with less

P900 bearings are designed to help manufacturers do more with less. For manufacturers of automobiles, P900 bearings offer the advantages of reduced weight in transmissions, transaxles, drive axles and other components. These advanced bearings meet industry demands for greater reliability, improved performance and extended life in power transmission designs that are smaller and operate at higher temperatures and with greater deflection than ever before.



Gear drive manufacturers downsize with P900 bearings for substantial savings in total system cost.



For heavy-duty trucks, P900 bearings allow more payload per vehicle and the potential for generating more revenue.

P900 bearings benefit manufacturers of heavy-duty trucks by allowing for reduced weight in transmissions and drive axles. They also allow more payload per vehicle and offer the potential for generating more revenue.

The same benefits apply to off-highway equipment, where P900 bearings help manufacturers design equipment that consumes less energy while performing more efficiently and reliably.

P900 bearings are now being used by gear drive manufacturers and in other industrial applications, where they facilitate increased power throughput. In applications where diminished size is an advantage, downsized P900 bearings allow manufacturers to replace critical-application bearings with smaller bearings that handle the same loads as the originals. This allows for reduced dimensions of related components and can mean substantial savings in total system cost. Timken innovations have made these cost and performance advantages a reality as P900 advances set industry standards for increased power throughput, efficiency and durability.

TM — A trademark of The Timken Company.



P900 bearings boost the efficiency and reliability of off-highway equipment.

Super-clean steel

Every P900 bearing begins with an important advantage — Timken's super-clean air-melt steel. This benefit is a Timken original: The Timken Company is the only American bearing manufacturer that makes its own steel. Our state-of-the-art facilities and the knowledge gained from more than 80 years of steel-making experience have allowed us to dramatically raise the level of bearing performance worldwide by offering decreased inclusion content, prolonged bearing life, increased reliability and improved resistance to hostile environments.

Advanced bearing geometry

The advanced geometry of Timken P900 bearings virtually eliminates edge stress concentrations caused by high loads or misalignment. In most high-load applications, P900 bearings perform more than 50 percent better than conventional bearings. In Figure 1, the bearings with the enhanced geometry, under certain conditions of load and misalignment, perform more than four times better than their standard counterpart.

Enhanced finishes

P900 bearings feature special finishes on the rollers, cups and cones to reduce surface-related modes of damage. This finishing process dramatically improves rolling contact surface finish and fatigue life when limited by surface distress and can add years to the relative life of a bearing. In design applications limited by surface distress, our finishing process can increase bearing life more than four times as shown in Figure 2.

Designed for your application

Timken engineers work with original equipment manufacturers to specify P900 bearings for the appropriate applications. To maintain the performance of these applications, you must replace a P900 bearing with a P900 bearing.

When replacing bearings, always order by part number to be sure you have the right bearing. If no part number is visible, contact your Timken sales representative for assistance.

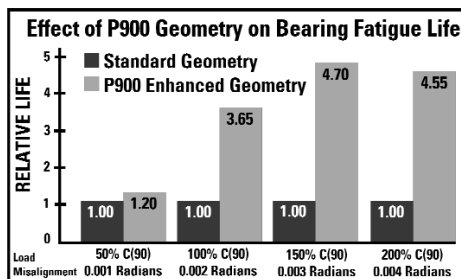


Fig. 1

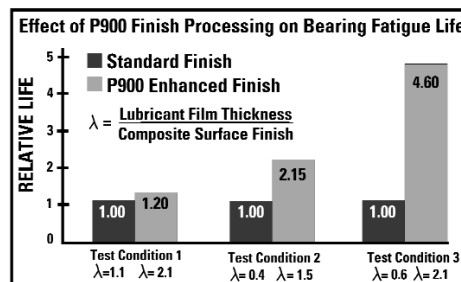


Fig. 2

Timken is the registered trademark of The Timken Company.

© 1996 The Timken Company
Printed in U.S.A.

TIMKEN

WORLDWIDE LEADER IN BEARINGS AND STEEL

Thread Locker

Permatex® High Strength Threadlocker RED

OEM specified. High strength threadlocker for heavy-duty applications 3/8 inch to 1 inch (10mm to 25mm). Especially well-suited for permanently locking studs and press fits. Adds 3,000 PSI holding power on slip and press fit assemblies. Replaces set screws and snap rings. Locks against vibration loosening. May require heat or special tools for removal.

Available in 1 ml individual pouches, 6 ml carded tubes, 36 ml carded bottles and 90 ml bottles. Large diameter threadlocker for bolts larger than 1 inch in diameter is available in 36 ml carded bottles. High temperature, high strength threadlockers suited for temperatures up to 450° F is available in 6 ml carded tubes, 10 ml carded bottles and 36 ml carded bottles. High temperature, permanent strength threadlocker for high vibration and heavy shock applications is available in 6 ml carded tubes and 36 ml carded bottles.



Permatex® Medium Strength Threadlocker BLUE

OEM specified. All-purpose, medium strength threadlocker. Ideal for all nut and bolt applications 1/4" to 3/4" (6mm to 20mm). Eliminates need for stocking expensive lock nuts and lock washers. Locks and seals while preventing parts loosening due to vibration. Protects threads from corrosion. Removable with hand tools for easy disassembly.

Available in 1 ml individual pouches, 2.5 ml carded bottles, 6 ml carded tubes, 36 ml carded bottles and 90 ml bottles.



Permatex® Low Strength Threadlocker PURPLE

OEM specified. Low strength threadlocker designed for fasteners under 1/4" (6mm) that require occasional adjustment. Removable with hand tools for easy disassembly. Noncorrosive. Conforms to ASTM D 5363 AN0311 (Mil-S-46163A, Type II, Grade M).

Available in 6 ml carded tubes

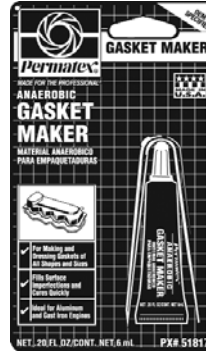


Gasket Maker

Permatex® Anaerobic Gasket Maker

OEM specified. Noncorrosive gasketing material designed primarily for use on aluminum, iron, and steel flanged mating surfaces. Ideal for on-the-spot and emergency repairs, or when a conventional gasket is unavailable. Fills gaps up to .015" and cures to a solvent-resistant seal that will not tear or decay during service. Parts disassemble easily even after extended service and old gasket material can be removed in minutes with a simple putty knife.

Available in 6 ml carded tubes, 50 ml carded tubes and 300 ml cartridges



Permatex® Ultra Blue® Multipurpose RTV Silicone Gasket Maker

OEM specified. Permatex® Ultra silicones were developed to meet today's technology changes. Sensor-safe, low odor, noncorrosive. Outstanding oil resistance and joint movement values. Eight times more flexible than cork/composite gaskets; three times more oil resistant than conventional silicones. Temperature range -65°F to 500°F (-54°C to 260°C) intermittent; resists auto and shop fluids and vibration.

Available in 3.35 oz carded tubes, 9.5 oz Powerbead cans and 13 oz cartridges



Permatex® Ultra Black® Maximum Oil Resistance RTV Silicone Gasket Maker

OEM specified. For dealership warranty requirements, ensures extended drivetrain warranty compliance. Fast-curing formula. Sensor safe, low odor, noncorrosive. Meets performance specs of OE silicone gaskets. Retains high flexibility, oil resistance properties through use of a patented adhesion system. Temperature range -65°F to 500°F (-54°C to 260°C) intermittent; resists auto and shop fluids and vibration.

Available in 3.35 oz carded tubes, 8.75 oz Automatic Tubes, 9.5 oz Powerbead cans and 13 oz cartridges



Permatex

Gasket Maker

Permatex® Ultra Grey® Rigid High-Torque RTV Silicone Gasket Maker

OEM specified. Designed specially for high-torque and high vibration applications, like those common in import engines, this premium RTV gasket maker exceeds manufacturers' performance requirements. Noncorrosive and low-odor. Maximum vibration resistance, with outstanding resistance to oils, cooling and shop fluids. Guaranteed not to leak. Temperature range -65°F to 500°F (-54°C to 260°C) intermittent.

Available in 3.35 oz carded tubes, 9.5 oz Powerbead cans and 13 oz cartridges



Permatex® High-Temp Red RTV Silicone Gasket

OEM specified. Formulated for hi-temp applications, or heavy-duty use (such as towing, etc.). Replaces almost any cut gasket by making reliable "formed-in-place" gaskets that resist cracking, shrinking and migrating caused by thermal cycling. Coats pre-cut gaskets to increase reliability. Temperature range -65°F to 650°F (-54°C to 343°C) intermittent; resists auto and shop fluids. First generation 1970-1980 gasket maker.

Available in 3 oz carded tubes, 7.25 oz Automatic Tubes, 7.25 oz Powerbead cans and 11 oz cartridges



Permatex® the Right Stuff® Gasket Maker

Return equipment to service immediately when you make leak-proof gaskets in just one minute with the Right Stuff.® This latest elastomeric rubber gasket technology is blowout resistant and outperforms pre-cut gaskets. Specified on production lines by GM, Ford, DaimlerChrysler and Mercedes-Benz. Temperature range -75°F to 450°F (-59°C to 232°C) continuous, 500°F (260°C) intermittent.; resists ATF, coolant, oil and other shop fluids. Protects against leaks caused by vibration and thermal expansion. Sensor-safe

Available in 4 & 7 oz Automatic Tubes, 7.5 oz Powerbead cans and 5 & 10.1 oz cartridges



Retaining Compounds, Prussian Blue and Flange Sealants

Permatex® Bearing Mount for Close Fits



OEM specified. A low viscosity, rapid-curing anaerobic adhesive that augments the strength of press fit assemblies or slip fit assemblies up to .005" in diameter. Adds up to 3,000 PSI holding power.

Available in 36 ml carded bottles

Permatex® Prussian Blue



Aids precision-fitting of machined surfaces. Locates high spots on bearings, valves, gears and other close-to-tolerance components. Nondrying. Easy clean-up.

Available in .75 oz tubes

Permatex® Bearing Mount for Relaxed Fits



OEM specified. High strength, medium viscosity anaerobic adhesive for slip fit assemblies. Provides 2,800 PSI shear strength on steel. Fixtures in 10 minutes at room temperature.

Available in 36 ml carded bottles

Permatex® Anaerobic Flange Sealant



Flexible, gasketing material for use on rigid machined flanges with less than .015" gap. OEM approved – use where OE's specify "anaerobic" gasket (cures in the absence of air). Withstands temperatures to 300°F (149°C). Eliminates preformed, pre-cut, paper, rubber and cork gaskets. Flexes with flanges that move in service.

Available in 50 ml carded tubes and 300 ml cartridges

Permatex® High Temperature Sleeve Retainer



OEM specified. High temperature (up to 400°F / 204°C) anaerobic adhesive that secures slip and press fit assemblies. Adds up to 3,000 PSI holding power. Restores fit to worn or out-of-tolerance assemblies. Prevents surface corrosion.

Available in 6 ml carded tubes and 36 ml carded bottles

Permatex® High Temperature Anaerobic Flange Sealant



A high temperature sealant specially engineered for making or dressing gaskets in rigid assemblies. Able to withstand temperatures to 400°F (204°C), fills gaps up to 0.020" (primed) and permits clamping loads to be maintained for strong, leakproof assemblies.

Available in 50 ml carded tubes

Light, Medium & Heavy Duty Products for Domestic & Foreign Applications

- Light, Medium & Heavy Duty Products for Domestic & Foreign Applications
- Differential Rebuild Kits
- Transmission / Transaxle Rebuild Kits
- Transfer Case Rebuild Kits
- Timken® Tapered Roller Bearings
- MileMate® Matched Wheel Bearing Sets
- DT Components Wheel Seals
- Ring & Pinion Sets
- Eaton Limited Slip Differentials and Service Kits
- Detroit Locker Locking Differentials and Detroit Truetrac Limited Slip Differentials
- Auburn Gear Limited Slip Differentials, Service Kits, Spools & Mini Spools
- Tractech No Spin Heavy Duty Differentials
- Differential Internal Kits & Cases
- Axle Shafts
- Center Support Bearings
- EZ Sleeve™ Repair Sleeves
- Seal & Gasket Kits
- Input Shafts & Counter Shafts
- Transmission Gears & Related Parts
- Synchronizer Rings & Assemblies
- Synchronizer Ring Kits
- Transfer Case & Automatic Transmission Chains
- Ball Bearings
- Clutch Release & Pilot Bearings
- Cylindrical & Needle Roller Bearings
- Shim Stock Rolls
- Small Parts Kits
- Permatex® Adhesives & Sealants
- Hub Assemblies

DT[®] Components

Drivetrain Products

Marketed by The Timken Corporation

For order placement contact:
North Coast Bearings, Inc.

Toll Free: 800-627-0700

Toll Free Fax: 800-627-9401

www.dtcomponents.com



Timken, DT Components and MileMate are registered trademarks of The Timken Company.
North Coast Bearings and EZ Sleeve are trademarks of North Coast Bearings
Eaton is a registered trademark of The Eaton Corporation.